



US00D830646S

(12) **United States Design Patent**
Kerr

(10) **Patent No.:** **US D830,646 S**

(45) **Date of Patent:** **** Oct. 9, 2018**

(54) **CAT DISH**

(71) Applicant: **Peter Kerr**, Seattle, NJ (US)

(72) Inventor: **Peter Kerr**, Seattle, NJ (US)

(**) Term: **15 Years**

(21) Appl. No.: **29/647,197**

(22) Filed: **May 10, 2018**

(51) **LOC (11) Cl.** **30-03**

(52) **U.S. Cl.**
USPC **D30/129**

(58) **Field of Classification Search**
USPC D30/121, 122, 129–133; 119/61.5, 51.01, 119/61.56, 51.03, 59, 62, 63, 51.5, 57.8, 119/74, 61.54, 61.55; 312/204; 248/151, 248/188; 108/156, 153.1–157; 220/23.87, 630, 737, 743, 9.4, 495.01, 220/574, 212, 255, 23.83; 206/515; D7/586, 543, 550.1, 587, 505, 584, 545, D7/500, 553.1–553.8, 546, 555, 556, 504, D7/565, 562, 602; D9/429; 43/109; D22/122; 99/430, DIG. 15
CPC A01K 5/0114; A01K 5/01; A01K 5/0135; A01K 7/005; A01K 7/00; A01K 7/02; A01K 5/0142; A01K 5/0121; A01K 5/0128; A01K 27/004; A01K 39/014; A01K 39/00; A01K 39/02; A01K 39/0113; A47J 43/0727; A01M 29/34; B29C 65/48; B65D 81/36
See application file for complete search history.

(56) **References Cited**

U.S. PATENT DOCUMENTS

766,427 A * 8/1904 Crowell A47G 19/02
220/575
D96,018 S * 6/1935 Cannon D14/251

D144,905 S * 6/1946 Cameron D7/535
D180,012 S * 4/1957 Buechler D7/505
D219,496 S * 12/1970 Lebedeff D28/85
3,611,998 A * 10/1971 Loscalzo A01K 5/0114
119/61.54
D279,445 S * 7/1985 Jagger D7/558
D285,515 S * 9/1986 Papciak D24/119
5,706,980 A * 1/1998 Dickerson A47G 19/02
220/501
D409,448 S * 5/1999 Hudson, Jr. D7/543
D432,280 S * 10/2000 Quinlan D30/129
D439,707 S 3/2001 Hansen et al.
D441,257 S * 5/2001 Indekeu D7/558
D463,756 S * 10/2002 Vea D11/152
D467,044 S 12/2002 Tangolics
D467,687 S 12/2002 Tangolics
D471,406 S * 3/2003 Wellner D7/503
D471,677 S 3/2003 Northrop
D472,021 S 3/2003 Northrop

(Continued)

Primary Examiner — Susan Moon Lee

(74) *Attorney, Agent, or Firm* — Michael J. Feigin, Esq.;
Feigin and Fridman

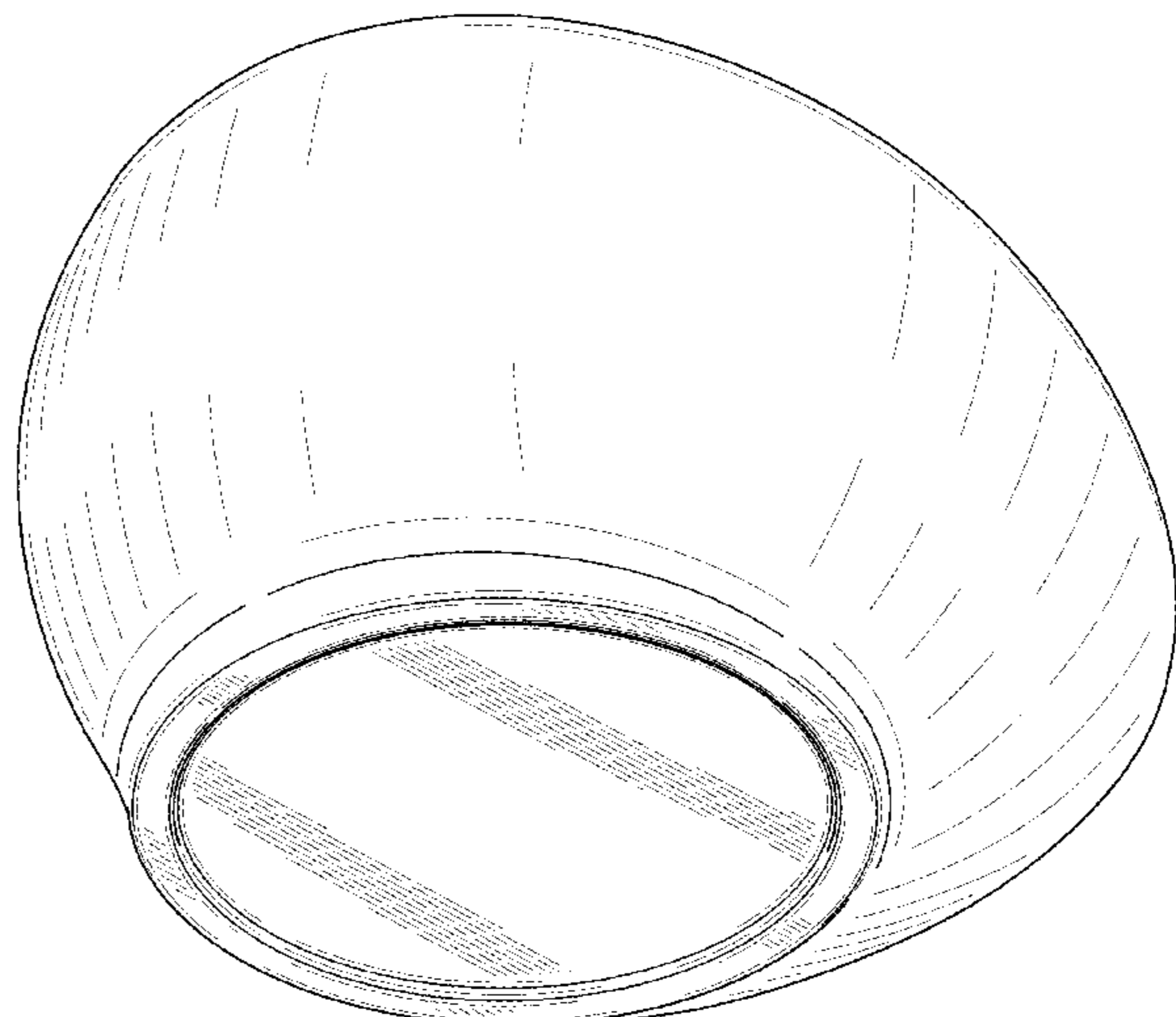
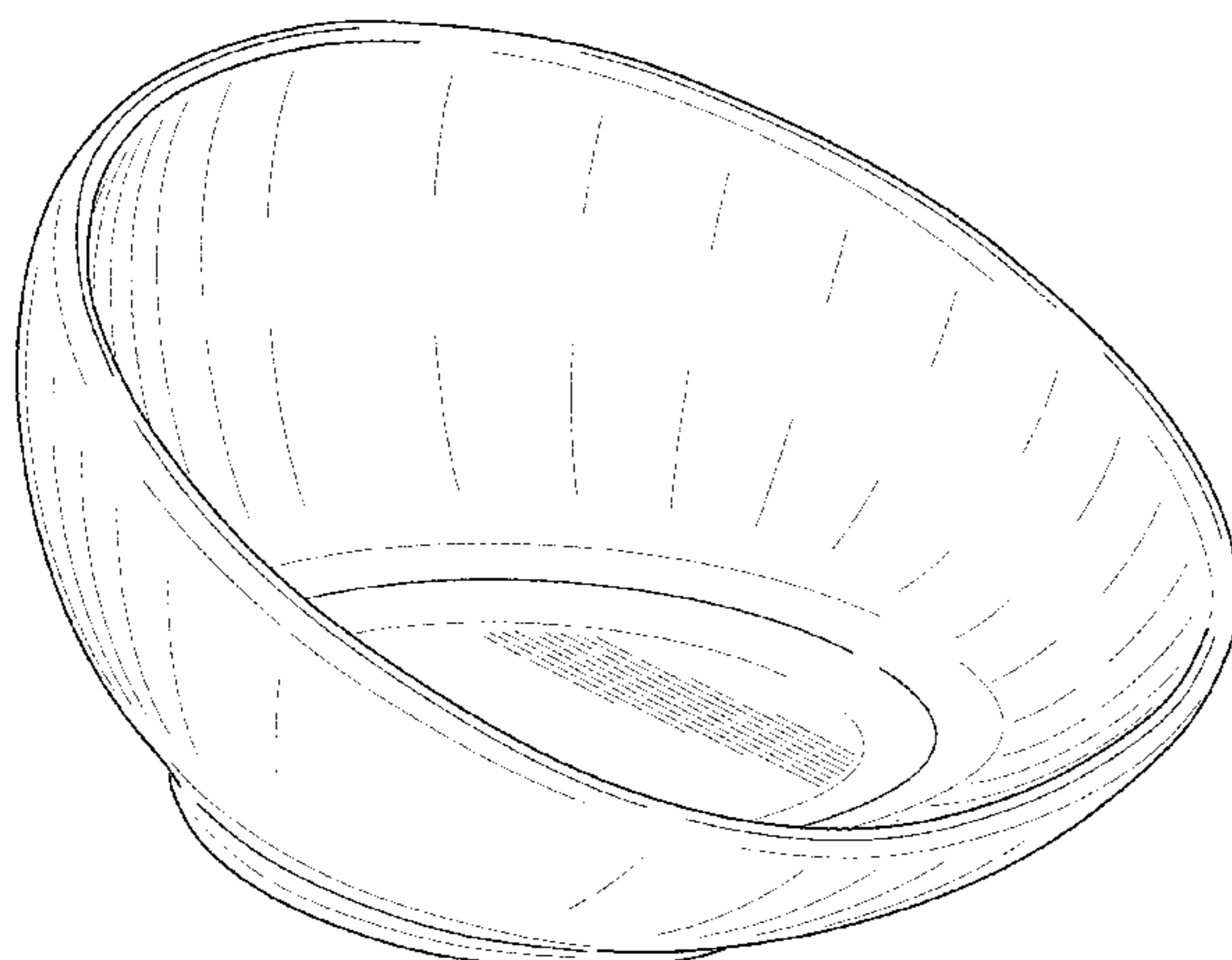
(57) **CLAIM**

The ornamental design for a cat dish, as shown and described.

DESCRIPTION

FIG. 1 shows a top and side perspective view of a cat dish. FIG. 2 shows a bottom and side perspective view thereof. FIG. 3 shows a top plan view thereof. FIG. 4 shows a bottom plan view thereof. FIG. 5 shows a front side view thereof, the opposite side being a mirror image thereof. FIG. 6 shows a back side view thereof, the opposite side being a mirror image thereof. FIG. 7 shows a right side view, the left side being a mirror image thereof; and, FIG. 8 shows a cross section of section line 8-8 of FIG. 3.

1 Claim, 6 Drawing Sheets



(56)

References Cited

U.S. PATENT DOCUMENTS

D473,758 S *	4/2003	Wilson	D7/587	D586,611 S *	2/2009	Solis	D7/354
6,619,230 B1 *	9/2003	Kimbrough	A01K 5/0114 119/61.56	D587,063 S *	2/2009	Solis	D7/361
D495,564 S *	9/2004	Bodum	D7/587	D592,813 S *	5/2009	Newsome	D30/129
D498,564 S *	11/2004	Northrop	D30/121	D595,907 S *	7/2009	Rutherford	D30/119
D504,196 S *	4/2005	Huthmaker	D30/129	D607,616 S	1/2010	Newsome et al.	
D506,644 S *	6/2005	Poupel	D11/152	D613,999 S *	4/2010	Sierra	D7/587
D516,025 S *	2/2006	Quinn	D13/108	D619,421 S *	7/2010	France	D7/500
7,156,250 B2 *	1/2007	Tillmann	A47D 13/02 220/9.2	D626,791 S *	11/2010	Sierra	D7/587
D538,431 S *	3/2007	Botha	D24/155	D633,340 S *	3/2011	Roberts	D7/549
D539,093 S *	3/2007	Robinson	D7/545	D636,945 S	4/2011	Anderson et al.	
D539,611 S *	4/2007	Wasserman	D7/586	D646,852 S	10/2011	Chance et al.	
D540,291 S *	4/2007	Heath	D14/137	D647,502 S *	10/2011	Holzer	D14/168
D540,620 S *	4/2007	Bushkovsky	D7/509	D648,492 S	11/2011	Able	
D540,623 S *	4/2007	Schreiber-Pethan	D7/584	D655,054 S	2/2012	Lipscomb et al.	
D545,630 S *	7/2007	Serra	D7/545	D658,444 S *	5/2012	Krašovec Pogorlčnik	D7/509
D547,615 S *	7/2007	Wasserman	D7/542	D676,710 S *	2/2013	Kwok	D7/544
D548,014 S *	8/2007	Kell	D7/584	D685,608 S *	7/2013	Bangert	D7/509
D551,025 S *	9/2007	Serra	D7/545	D685,610 S *	7/2013	Bangert	D7/524
D551,510 S *	9/2007	Serra	D7/500	D705,500 S	5/2014	Gambino	
D553,122 S *	10/2007	Solland	D14/217	D706,995 S *	6/2014	Modi	D30/129
D554,108 S *	10/2007	Solland	D14/217	D757,373 S	5/2016	Breit	
D564,828 S *	3/2008	Solis	D7/360	D758,674 S	6/2016	Youn	
D564,844 S *	3/2008	Schreiber-Pethan	D7/586	D777,992 S *	1/2017	Tsengas	D30/129
D566,697 S *	4/2008	Nielsen	D14/224	D782,749 S	3/2017	Michizoe	
D574,195 S *	8/2008	LeVan	D7/586	D784,068 S *	4/2017	Barth	D7/354
				D805,700 S	12/2017	Owens, III	
				9,894,845 B2 *	2/2018	Aller	A01G 9/022
				9,895,692 B2 *	2/2018	Battrell	B01L 3/50273
				D814,878 S *	4/2018	Hong	D7/603
				D816,279 S	4/2018	Peninger	

* cited by examiner

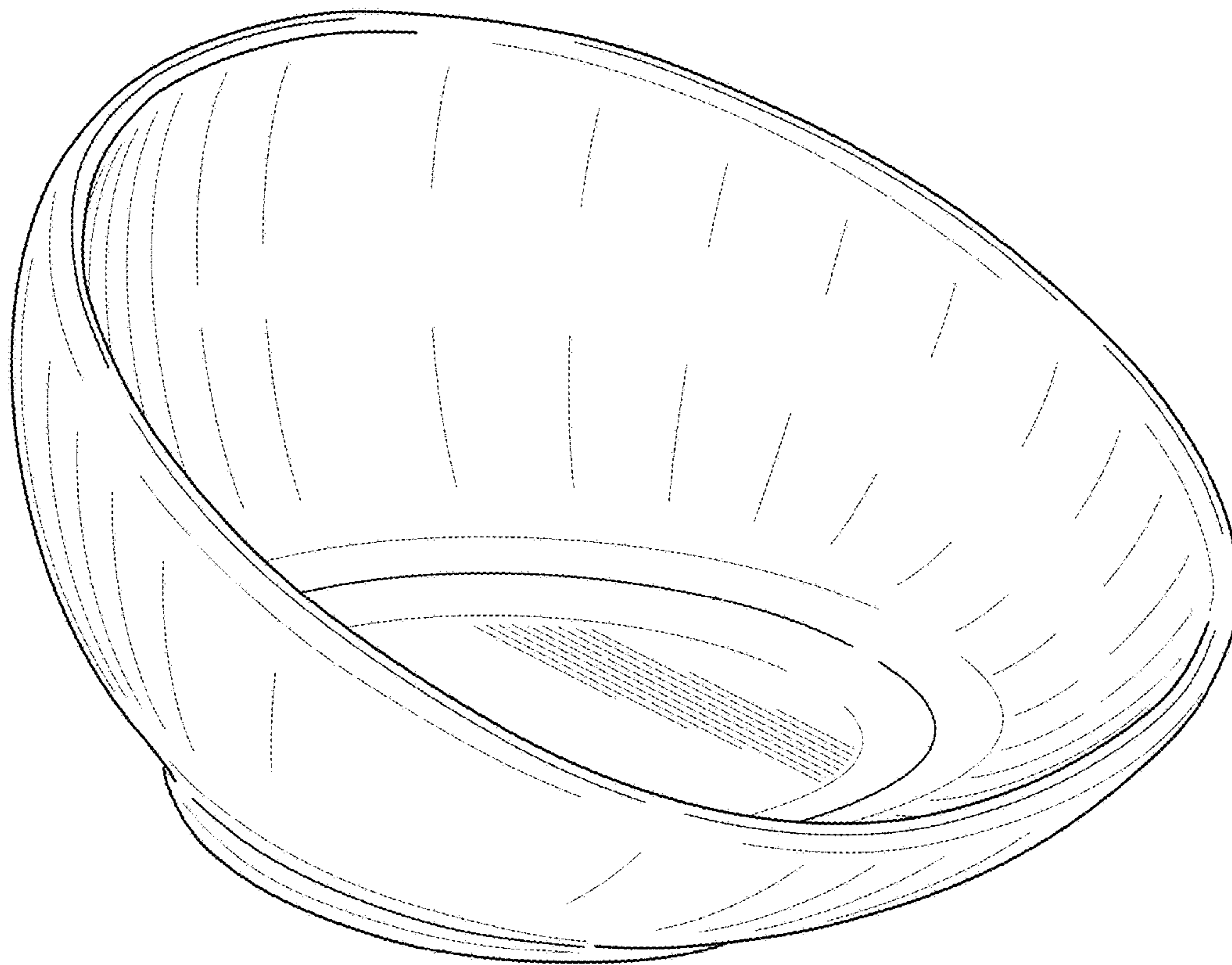


FIG. 1

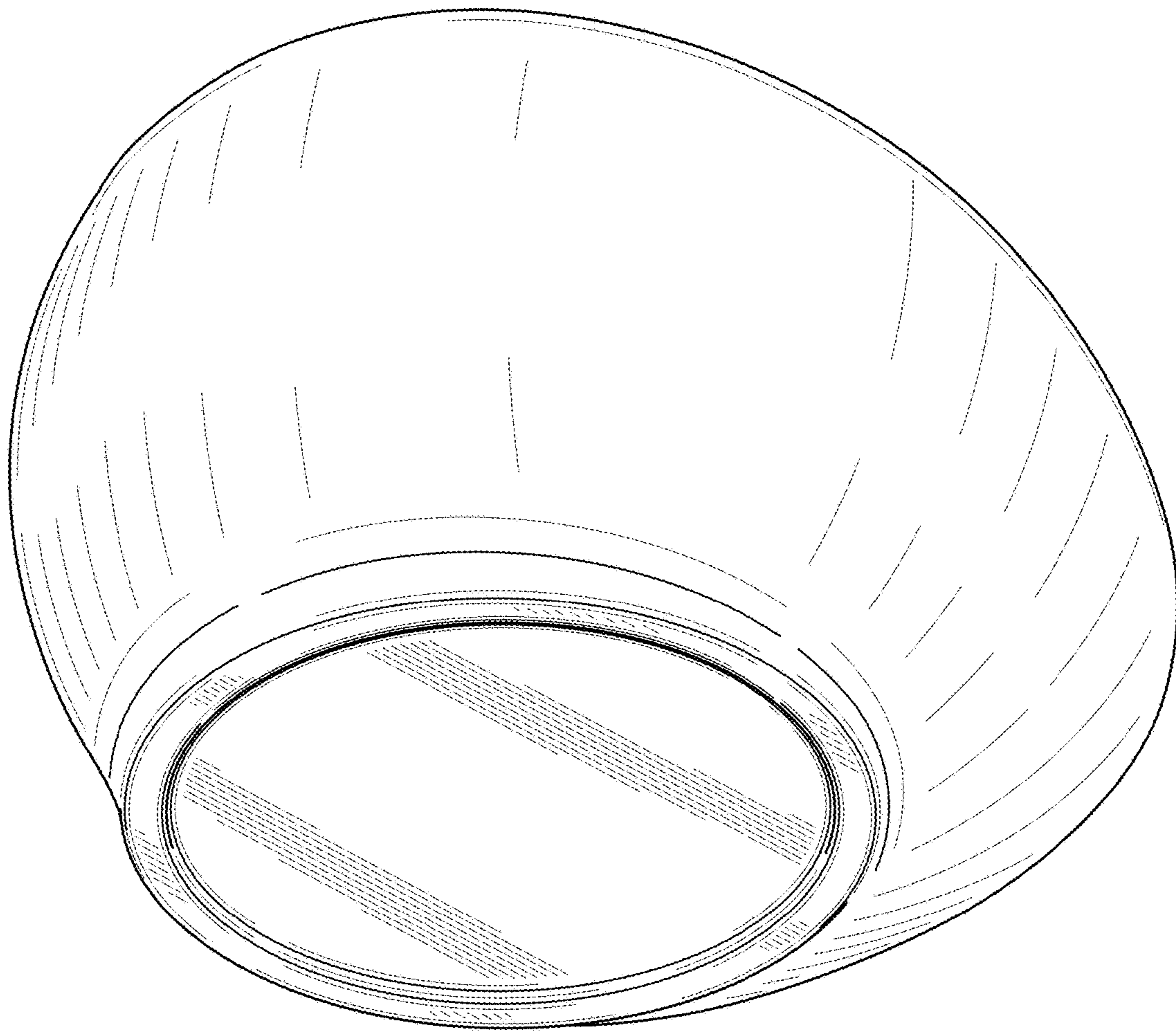
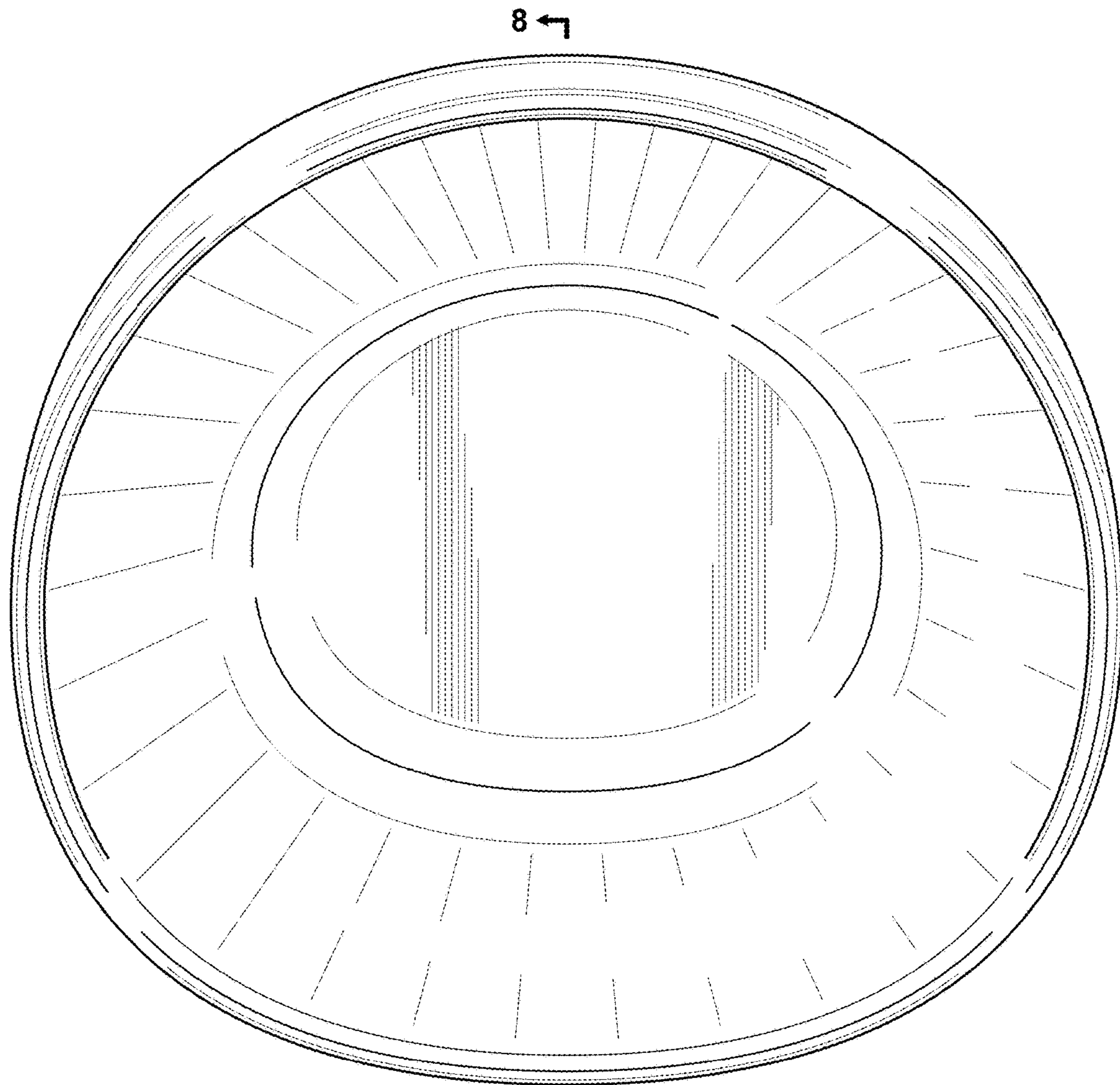


FIG. 2



8 ←
8 ←
FIG. 3

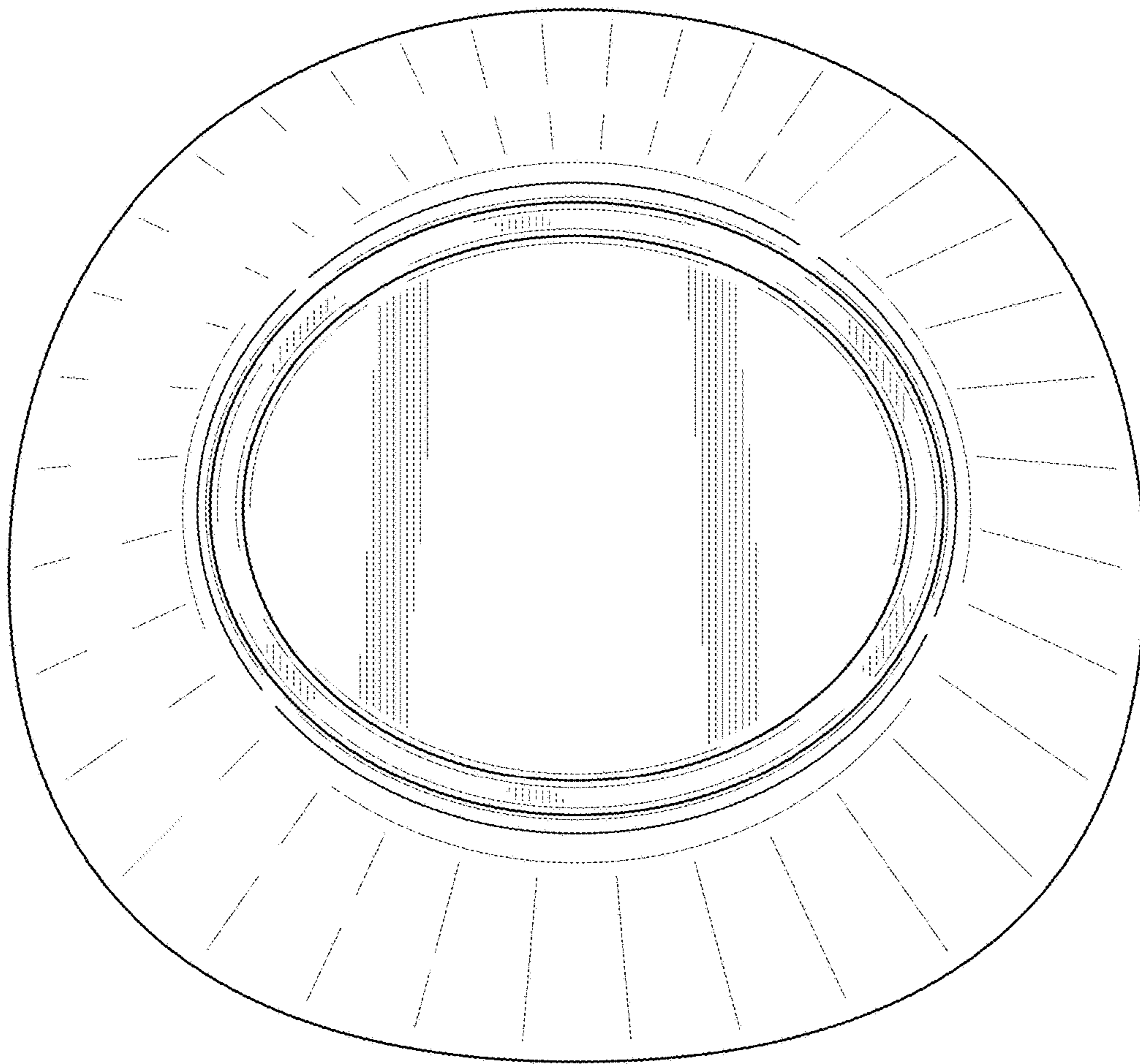


FIG. 4

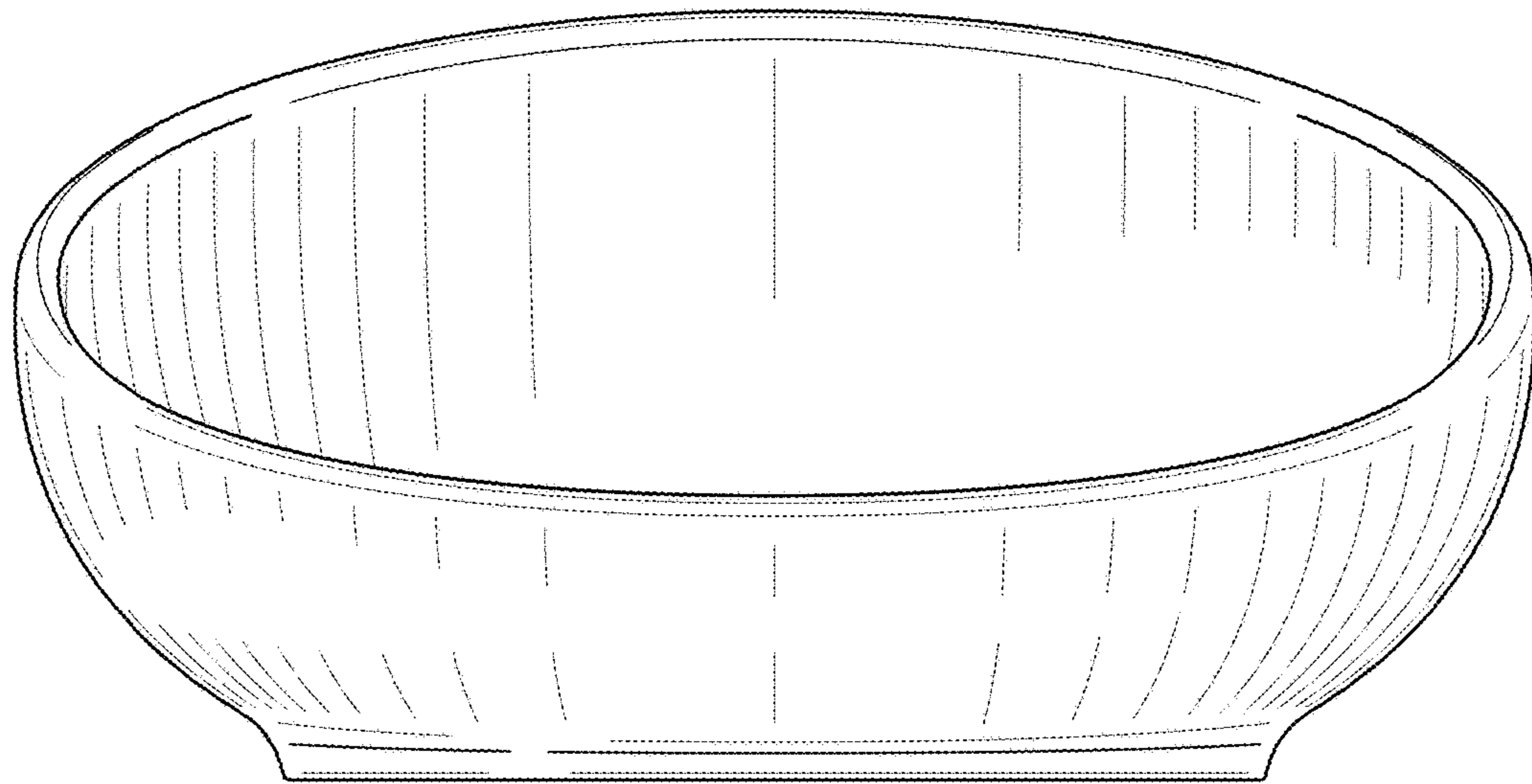


FIG. 5

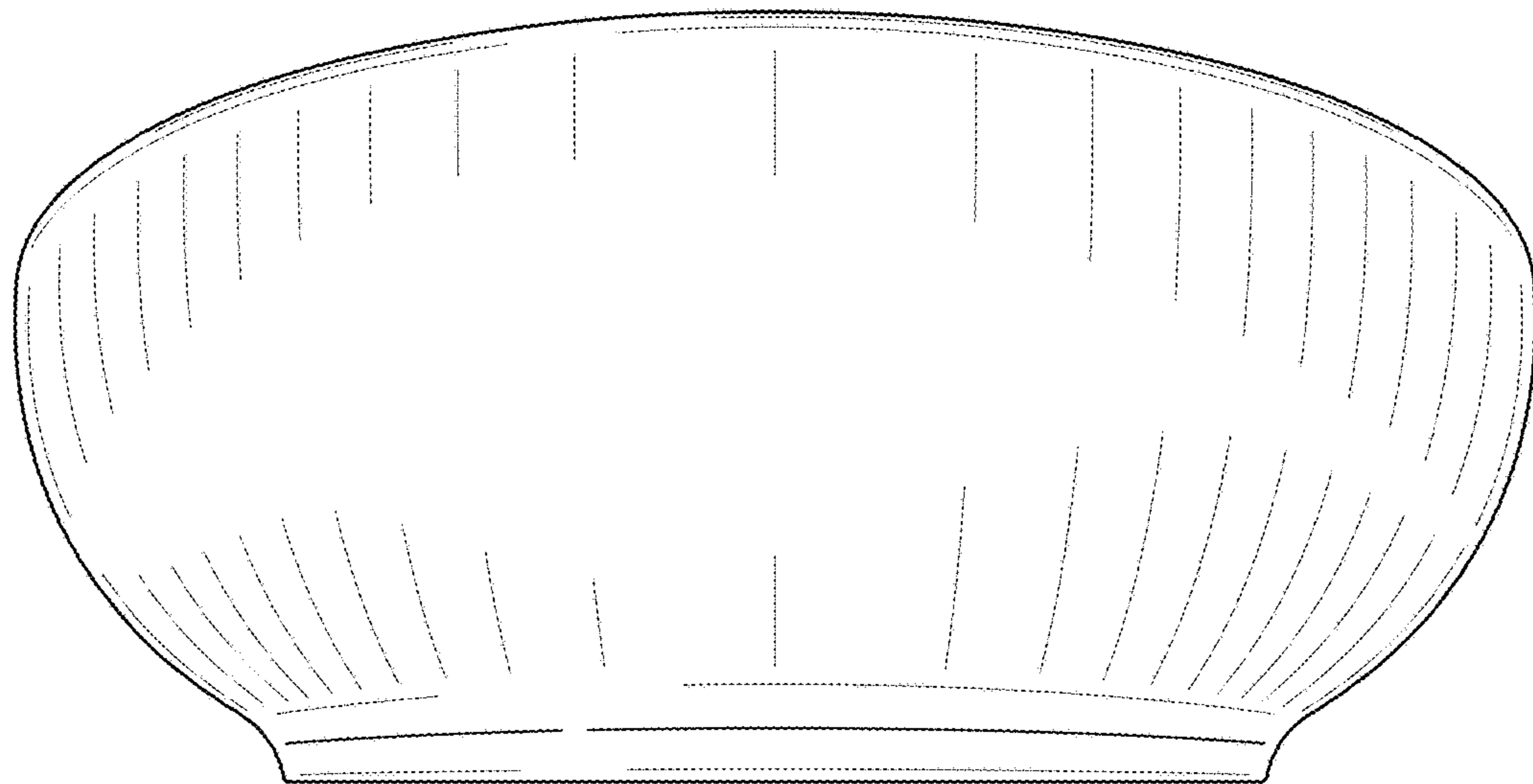


FIG. 6

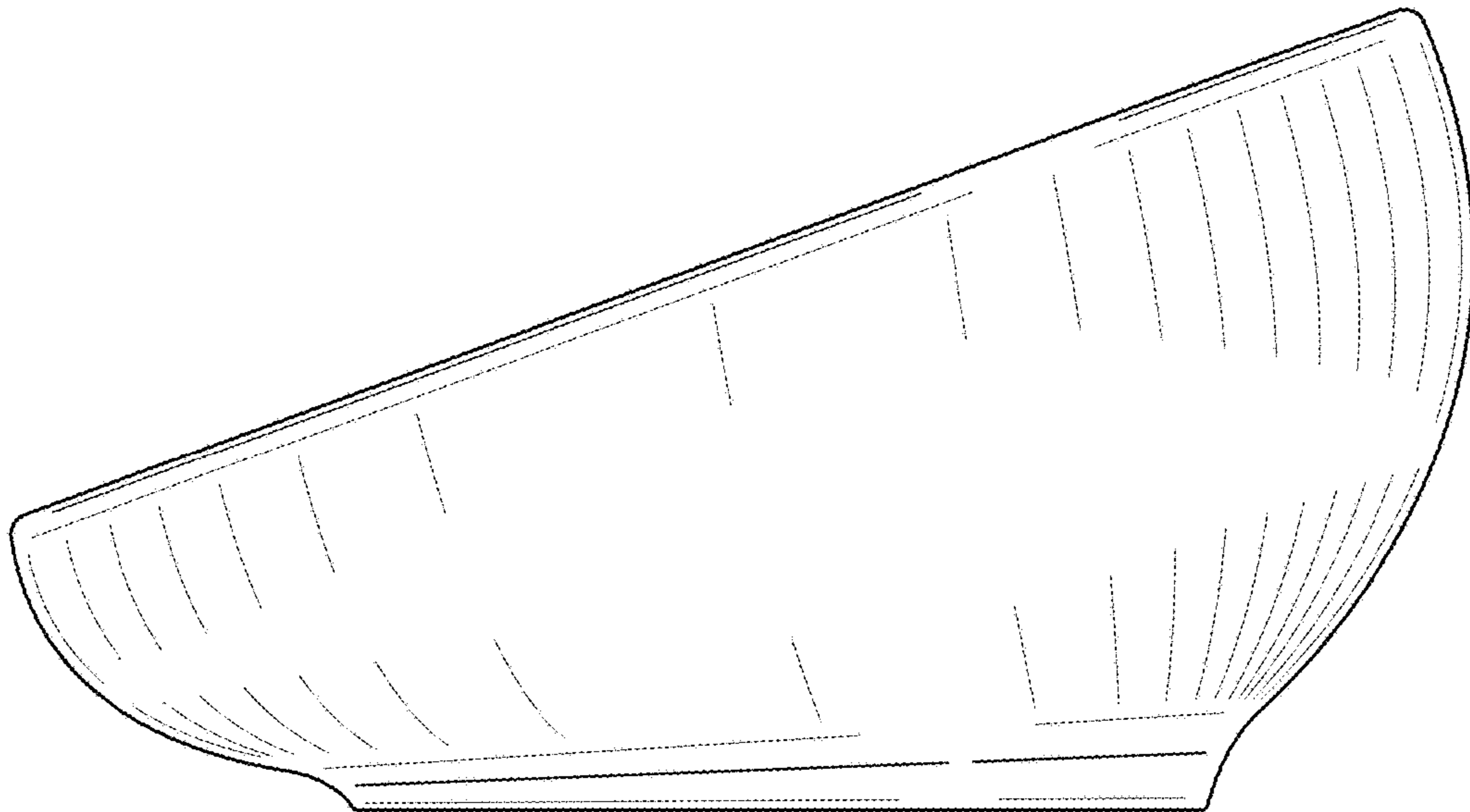


FIG. 7

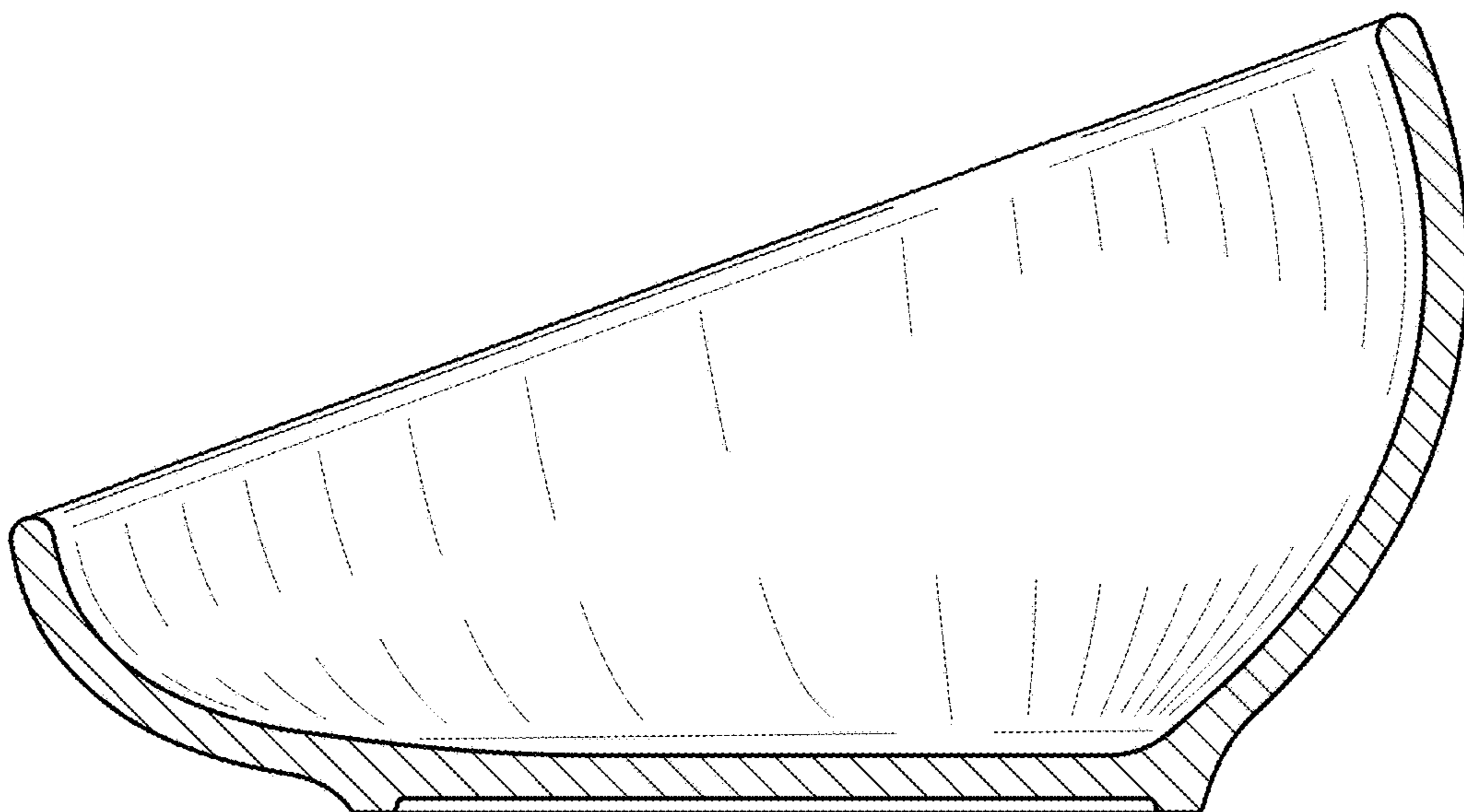


FIG. 8