



US00D830642S

(12) **United States Design Patent** (10) **Patent No.:** **US D830,642 S**
Fletcher et al. (45) **Date of Patent:** **** Oct. 9, 2018**

(54) **HEARING PROTECTOR HEADBAND**

(56) **References Cited**

(71) Applicant: **3M INNOVATIVE PROPERTIES COMPANY**, St. Paul, MN (US)

U.S. PATENT DOCUMENTS

(72) Inventors: **Douglas D. Fletcher**, Woodbury, MN (US); **Eric O. Hemberg**, Shatin (HK); **Oscar M. Hemberg**, Dalarö (SE); **Edvard B. E. Månsson**, Guang Dong Province (CN); **Angela L. Pan**, Arden Hills, MN (US); **Gregory G. Jager**, Oakdale, MN (US)

3,488,457 A * 1/1970 Lahti H04R 1/1008
 381/371
 3,505,684 A * 4/1970 Hutchinson A61F 11/14
 2/209
 3,562,816 A * 2/1971 Hutchinson A61F 11/14
 2/209
 6,449,806 B1 * 9/2002 Engelhard H04M 1/05
 2/209
 D687,411 S * 8/2013 Lee D29/122
 D744,171 S * 11/2015 Rose D29/112
 D764,717 S * 8/2016 Fletcher D29/112

(73) Assignee: **3M INNOVATIVE PROPERTIES COMPANY**, St. Paul, MN (US)

* cited by examiner

(**) Term: **15 Years**

Primary Examiner — Randall H Gholson

(21) Appl. No.: **29/615,634**

(74) *Attorney, Agent, or Firm* — Irina Hass

(22) Filed: **Aug. 30, 2017**

(51) **LOC (11) Cl.** **29-02**

(52) **U.S. Cl.**
USPC **D29/122**; D29/112

(57) **CLAIM**

The ornamental design for a hearing protector headband, as shown and described.

(58) **Field of Classification Search**

DESCRIPTION

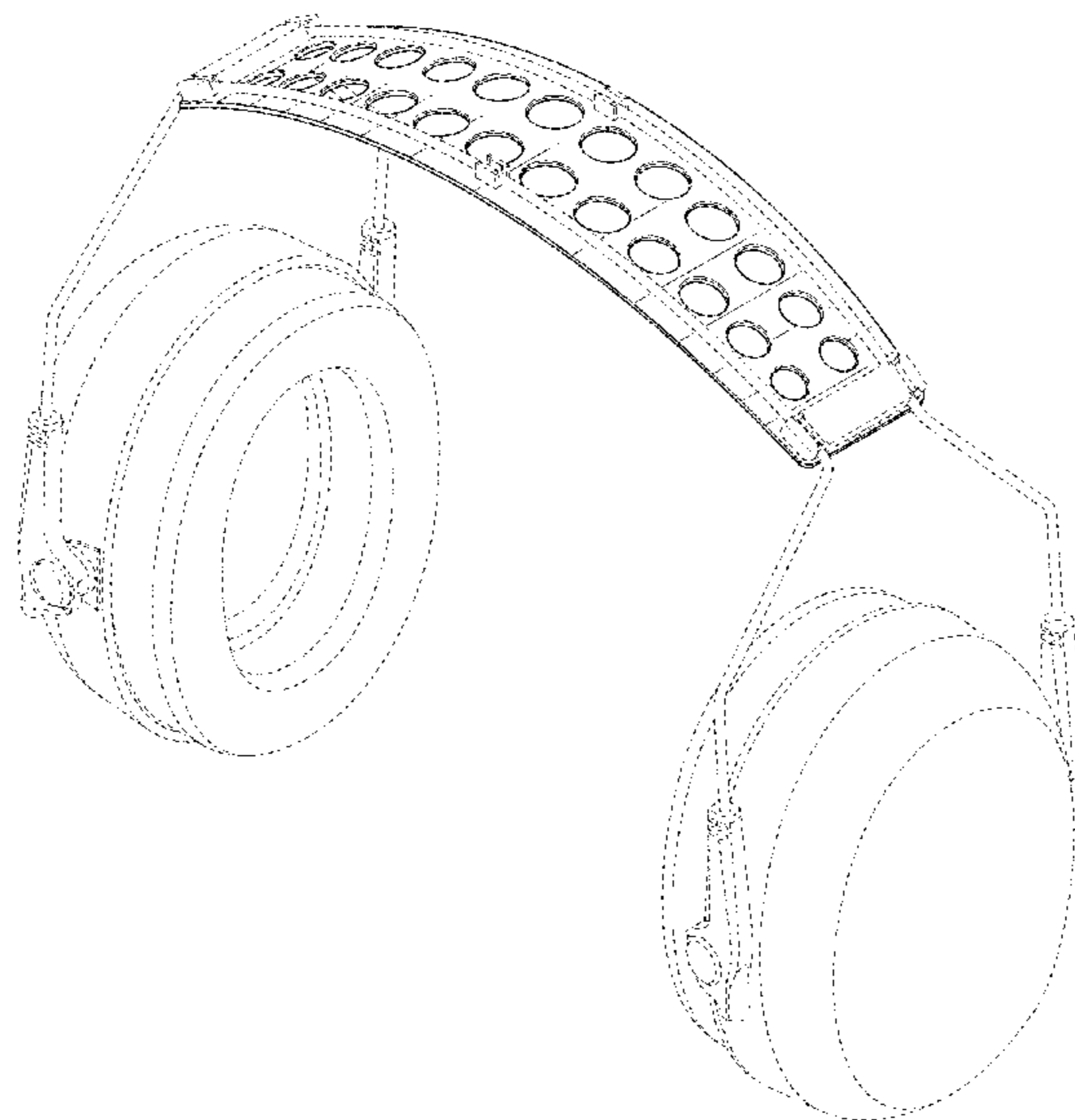
USPC D29/100, 102, 105, 106, 108, 112, 122;
 2/455, 410, 417, 423, 424, 425, 9, 171,
 2/208, 209, 918; D14/205, 223, 249;
 181/129, 130, 135; 379/430, 431;
 381/380, 381; 455/90.3, 575.1
 CPC A42B 3/16; A42B 3/163; A42B 3/166;
 A61F 11/06; A61F 11/08; A61F 11/10;
 A61F 11/12; A61F 11/14; A61F
 2011/085; H04R 1/10; H04R 1/1008;
 H04R 1/1016; H04R 1/105; H04R
 1/1058; H04R 1/1066; H04R 1/1075;
 H04R 1/1083; H04R 5/0335; H04R
 25/652; H04R 25/654; H04R 25/656;
 A63B 71/10

FIG. 1 is a perspective view showing the new design for a hearing protector headband;
 FIG. 2 is a front view thereof;
 FIG. 3 is a rear view thereof;
 FIG. 4 is a right side view thereof;
 FIG. 5 is a left side view thereof;
 FIG. 6 is a top view thereof; and,
 FIG. 7 is a bottom view thereof.

The portions of the hearing protector headband in FIGS. 1-7 shown in broken lines are included to show features that form no part of the claimed design.

See application file for complete search history.

1 Claim, 4 Drawing Sheets



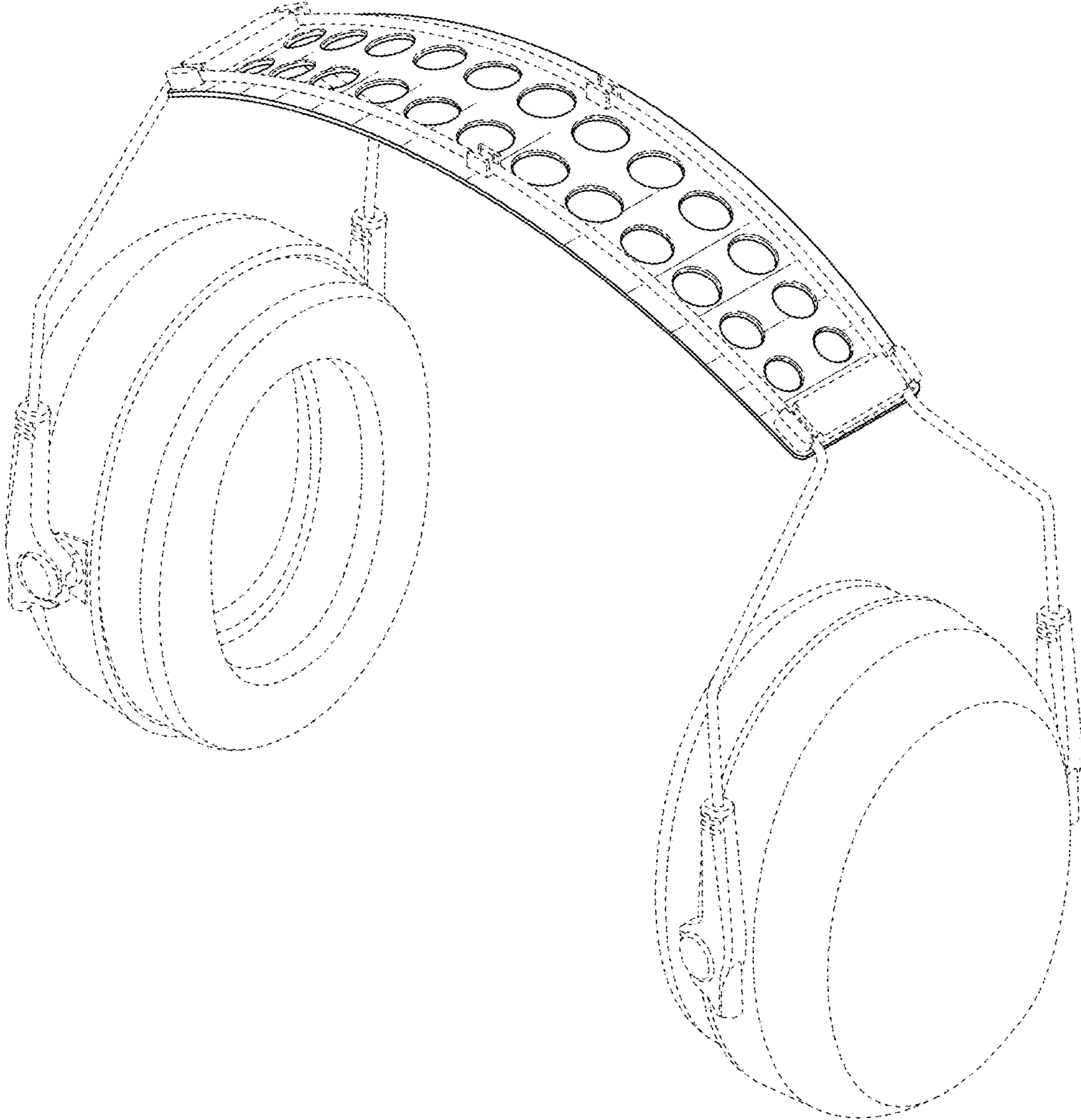


FIG. 1

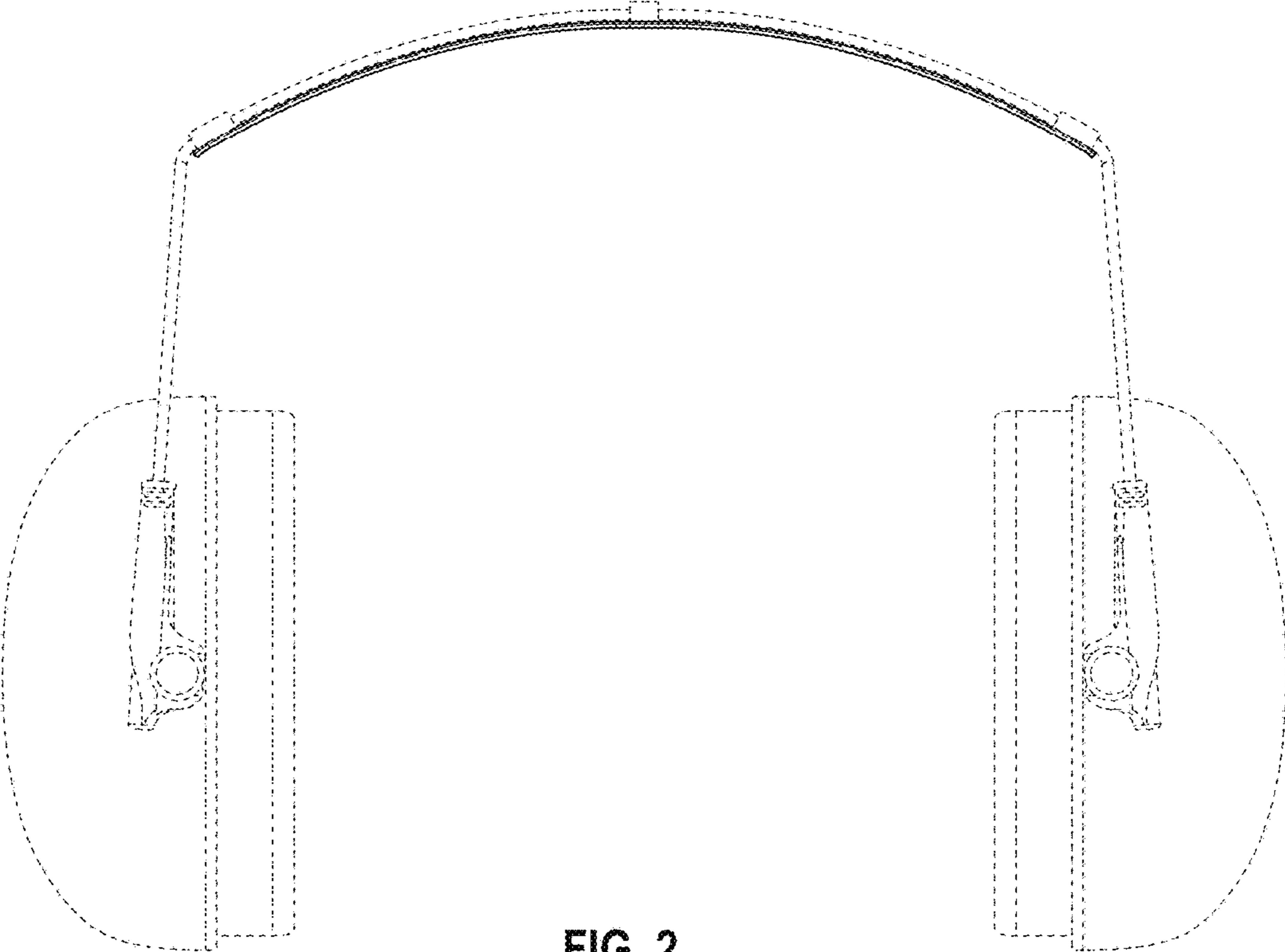


FIG. 2

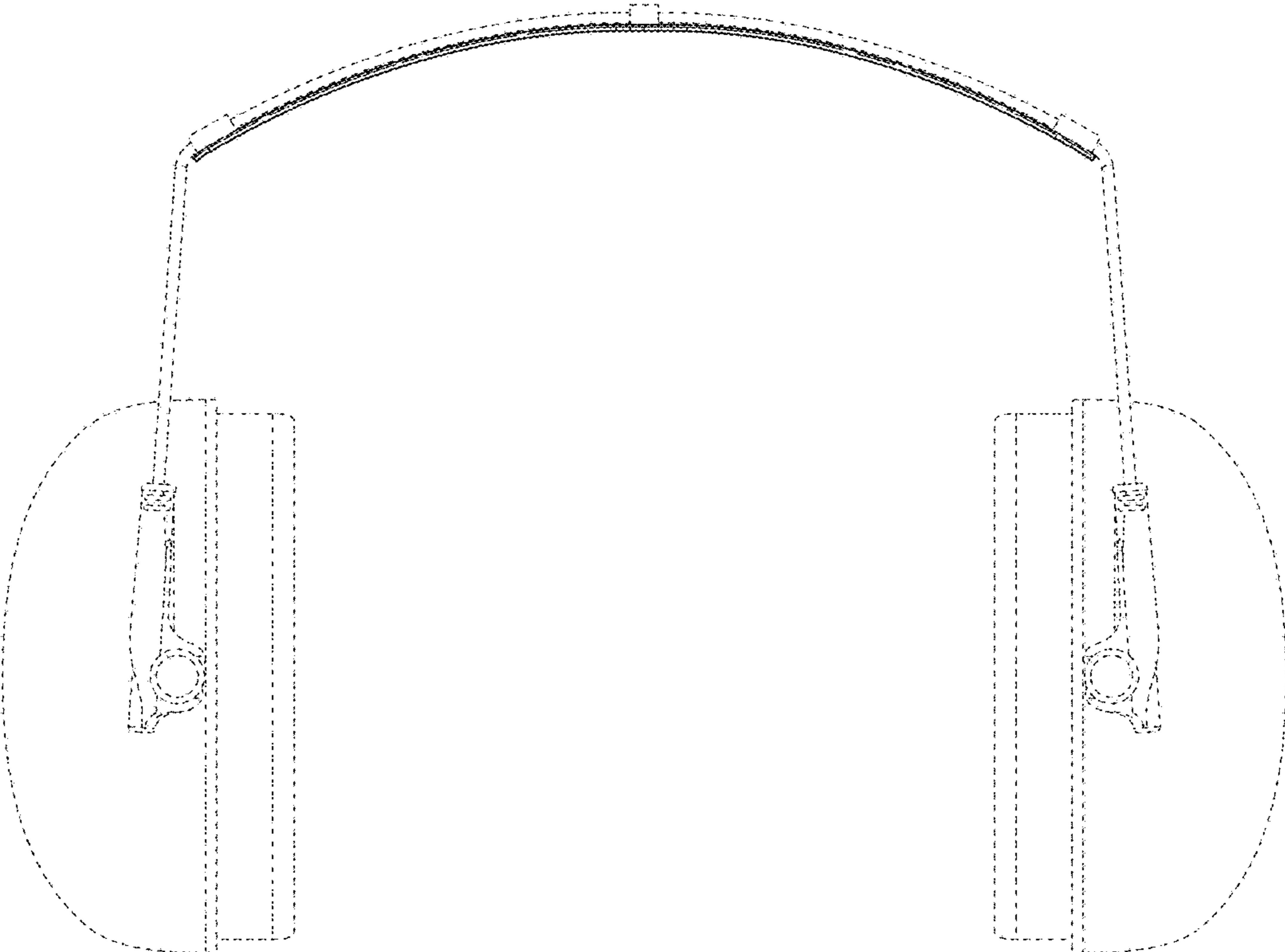


FIG. 3

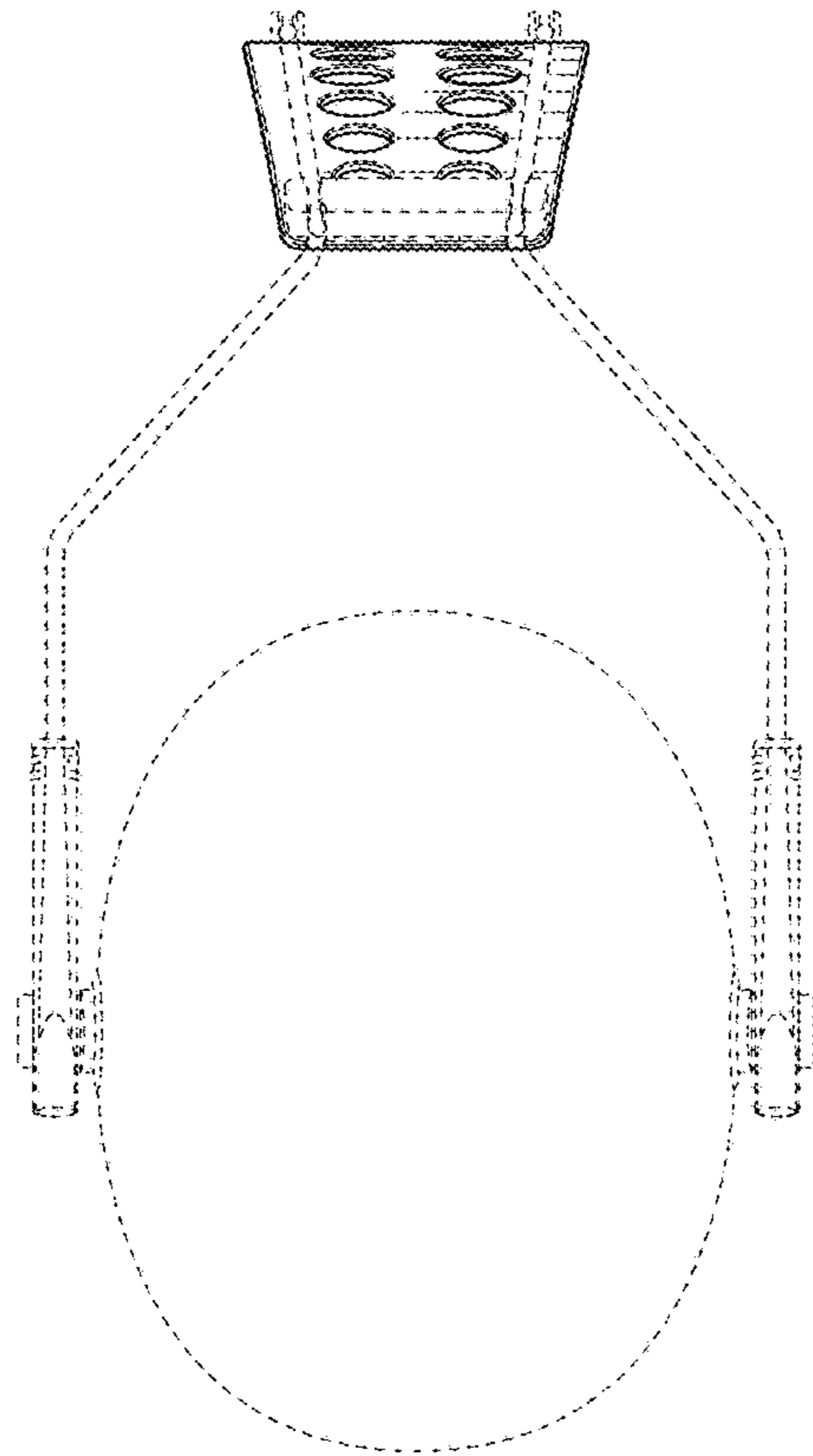


FIG. 4

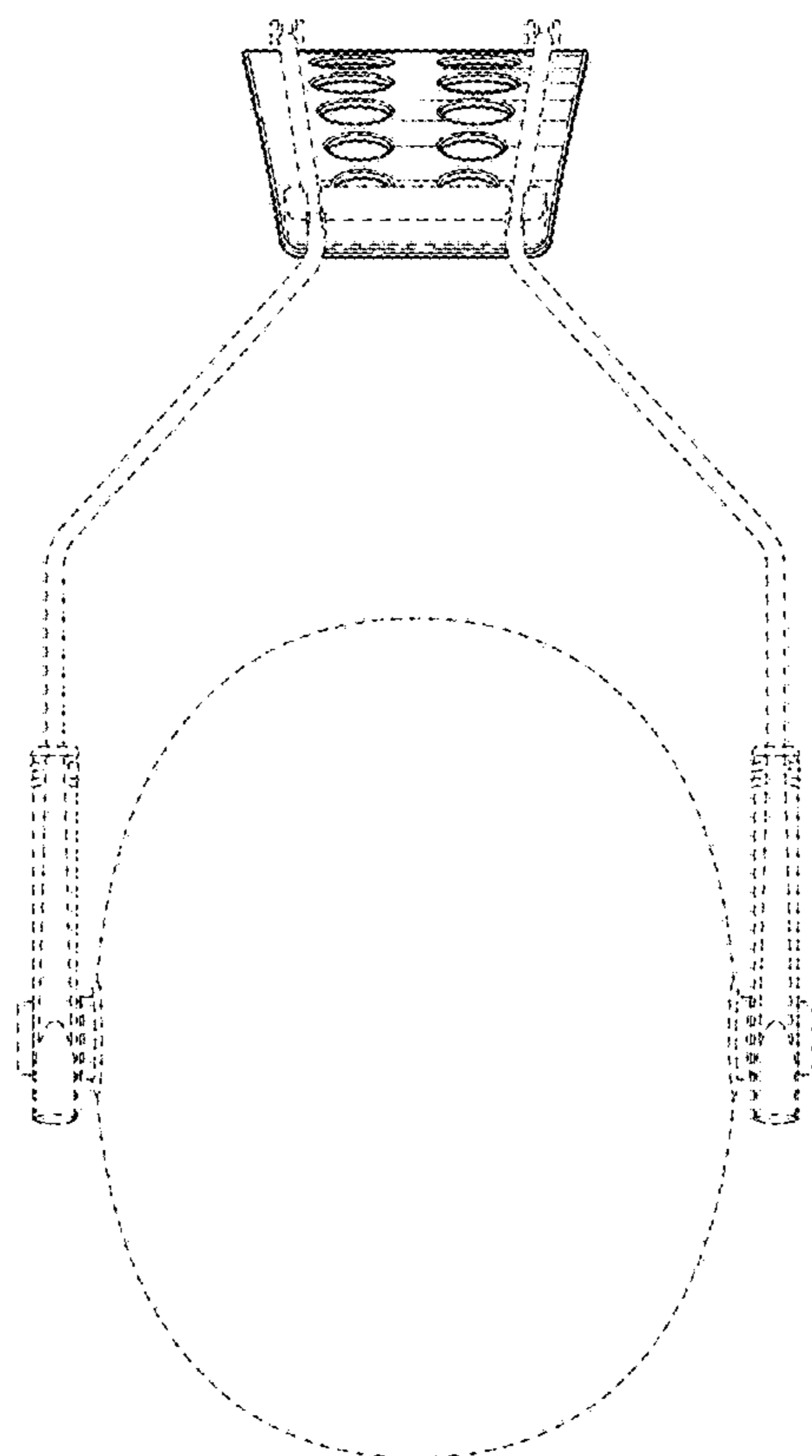


FIG. 5

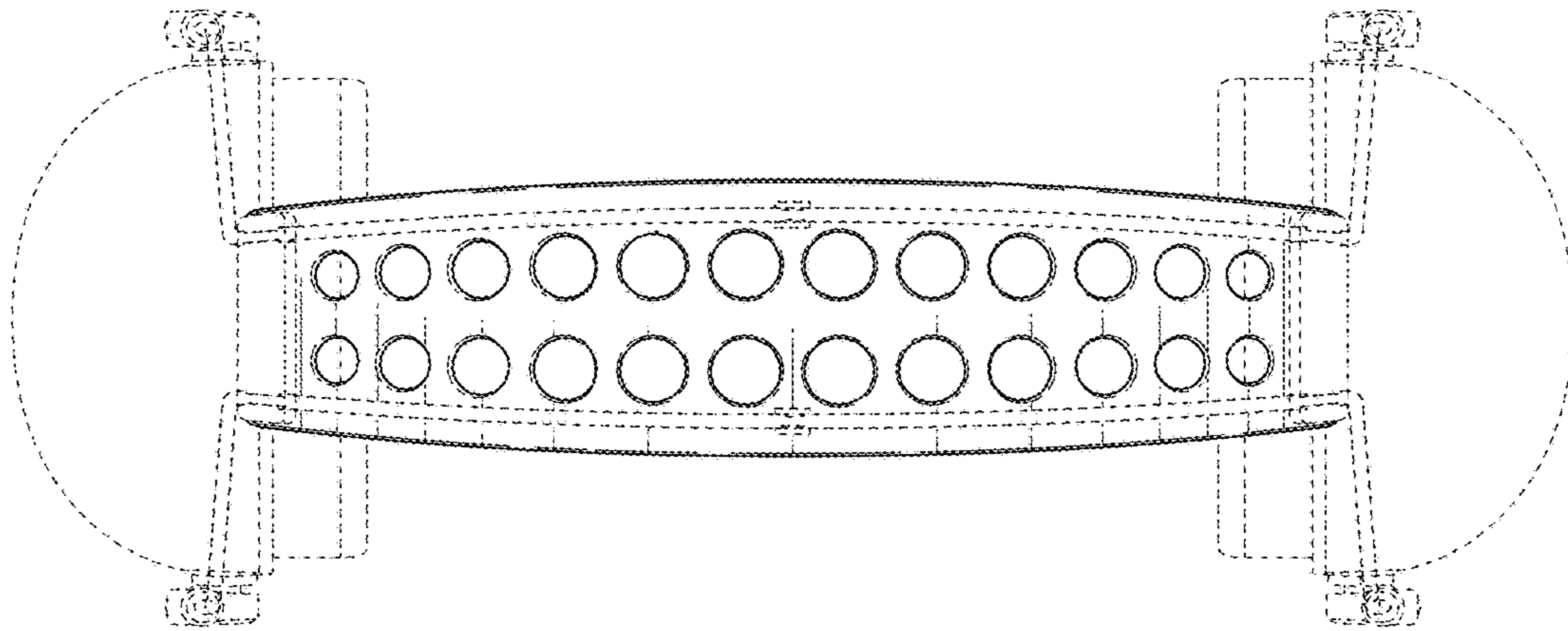


FIG. 6

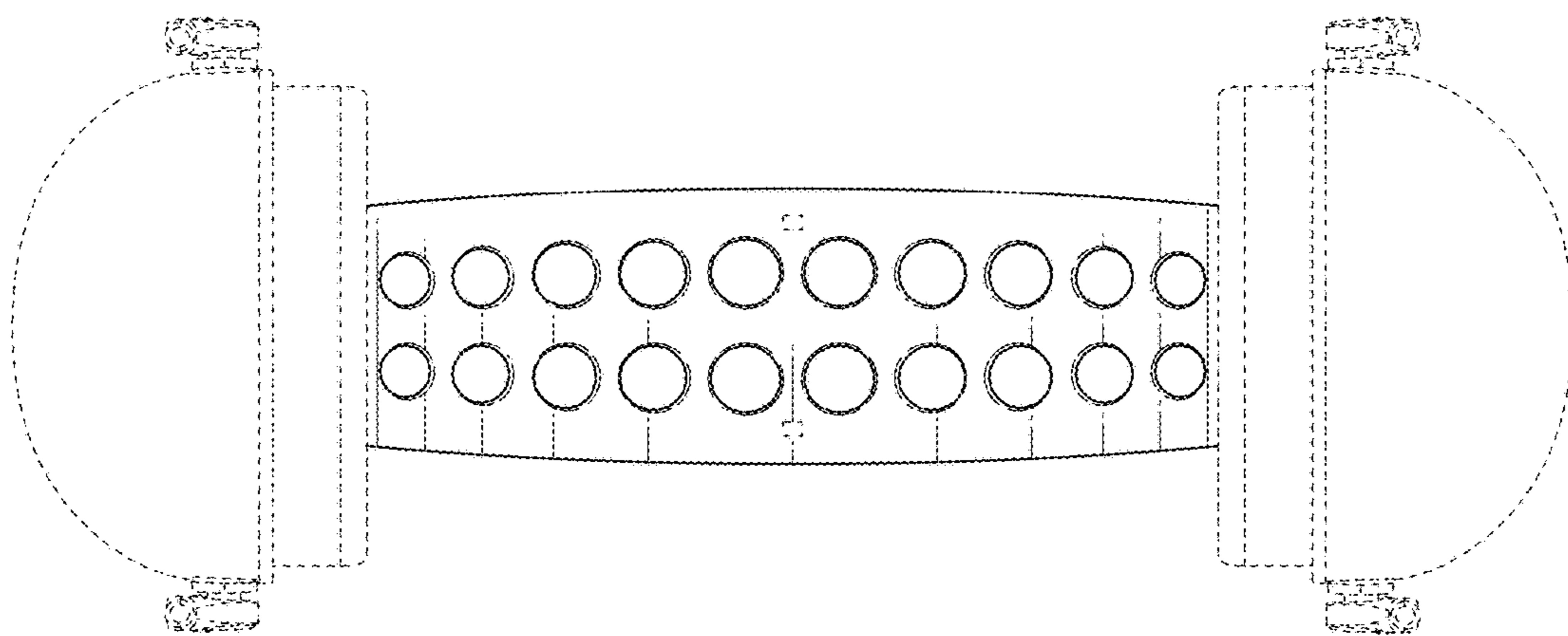


FIG. 7