



US00D830638S

(12) **United States Design Patent**  
**Teller et al.**

(10) **Patent No.:** **US D830,638 S**

(45) **Date of Patent:** **\*\* Oct. 9, 2018**

(54) **LIP PRODUCT CONTAINER**

(71) Applicant: **EOS PRODUCTS, LLC**, New York, NY (US)

(72) Inventors: **Jonathan Teller**, New York, NY (US);  
**Sanjiv Mehra**, New York, NY (US);  
**Peter Waxman**, New York, NY (US);  
**Joseph Speter**, New York, NY (US);  
**Sherry Jhawar**, New York, NY (US);  
**Hamish Campbell**, New York, NY (US)

(73) Assignee: **EOS PRODUCTS, LLC**, New York, NY (US)

(\*\*) Term: **15 Years**

(21) Appl. No.: **29/573,723**

(22) Filed: **Aug. 9, 2016**

(51) **LOC (11) Cl.** ..... **28-03**

(52) **U.S. Cl.**  
USPC ..... **D28/85**; D9/519; D9/529

(58) **Field of Classification Search**  
USPC ..... D9/434, 435, 436, 449, 452, 454, 516,  
D9/519, 522, 529, 549, 551, 552, 554,  
D9/555, 558, 682, 688, 693, 715, 719,  
D9/725, 726, 727; D23/366, 367;  
D28/82, 85, 90, 91.1  
CPC ..... A45D 33/18; A45D 19/02; A45D 34/02;  
B65D 2543/00351; B65D 1/14  
See application file for complete search history.

(56) **References Cited**

U.S. PATENT DOCUMENTS

75,524 A	3/1868	Chase, Jr.
1,852,455 A	4/1932	Friedman
D112,545 S	12/1939	Youngusband
2,171,112 A	5/1940	Hoffman
2,201,467 A	5/1940	Bloom
D129,291 S	9/1941	Petzold

D130,030 S	10/1941	Meyer
2,568,688 A	9/1951	Sidney
2,745,642 A	5/1956	Herman
D180,109 S	4/1957	Slater
2,998,896 A	9/1961	Miller

(Continued)

FOREIGN PATENT DOCUMENTS

EP	0433150	6/1991
EP	0628393	4/1994

(Continued)

OTHER PUBLICATIONS

U.S. Appl. No. 29/411,931, filed Jan. 2012, Teller.

(Continued)

*Primary Examiner* — Ian Simmons

*Assistant Examiner* — Keith Frank

(74) *Attorney, Agent, or Firm* — Martin & Ferraro, LLP

(57) **CLAIM**

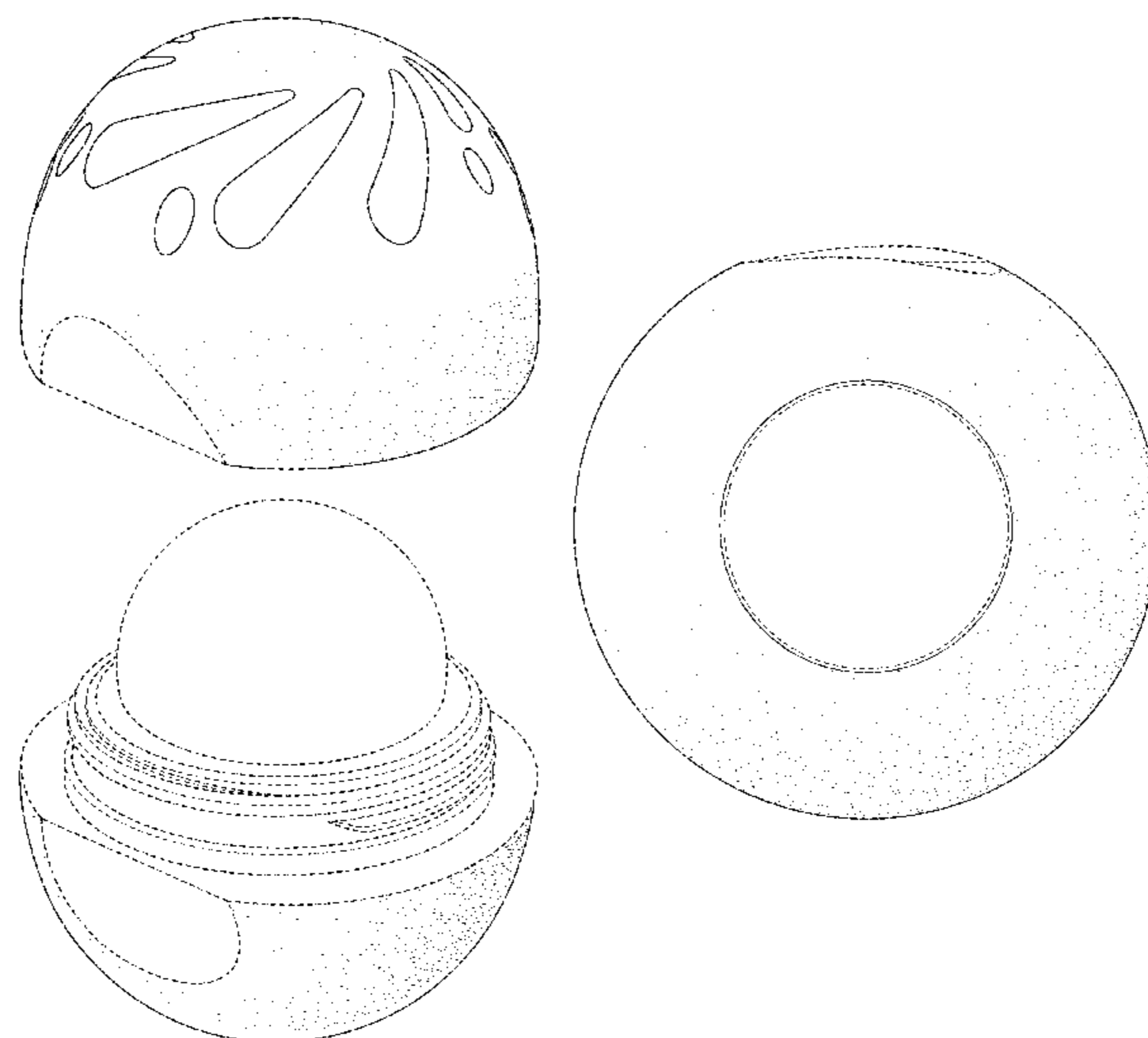
The ornamental design for a lip product container, as shown and described.

**DESCRIPTION**

FIG. 1 is a perspective view of a lip product container in an open configuration showing my design; FIG. 2 is a front elevation view thereof; FIG. 3 is a rear elevation view thereof; FIG. 4 is a left side elevation view thereof; FIG. 5 is a right side elevation view thereof; FIG. 6 is a top plan view thereof; and, FIG. 7 is a bottom plan view thereof.

The broken lines in the drawings showing the lip product container illustrate the portions of the lip product container that form no part of the claimed design. The broken line(s) adjacent the stipple shading define the bounds of the claimed design and form no part thereof.

**1 Claim, 7 Drawing Sheets**



(56)

## References Cited

U.S. PATENT DOCUMENTS		
3,085,709	A	4/1963 Klein
3,292,840	A	12/1966 Schmidt
3,494,515	A	2/1970 Fattori
D219,496	S	12/1970 Lebedeff
3,741,379	A	6/1973 Kappler et al.
D230,954	S	3/1974 Gregorietti
3,843,120	A	10/1974 Ricci
D240,711	S	7/1976 Angleman et al.
D243,585	S	3/1977 Angleman et al.
4,044,889	A	8/1977 Orentreich et al.
4,069,935	A	1/1978 Hampel
4,124,135	A	11/1978 Weder et al.
4,164,301	A	8/1979 Thayer
D253,394	S	11/1979 Berghahn et al.
D255,653	S	7/1980 Lipsz
D255,990	S	7/1980 Lucas
D256,095	S	7/1980 Sandonato
4,235,557	A	11/1980 Hayes
D258,199	S	2/1981 Torongo, Jr.
4,261,468	A	4/1981 Krebs
D261,105	S	10/1981 Schwartz
4,342,522	A	8/1982 Mackles
D266,146	S	9/1982 Morris
D272,723	S	2/1984 Baker
D273,766	S	5/1984 Lampe
D276,705	S	12/1984 Oliveri
D280,289	S	8/1985 Aldrich et al.
D286,616	S	11/1986 Becker
D291,991	S	9/1987 Lee
4,728,210	A	3/1988 Barish et al.
4,765,501	A	8/1988 Kao
D302,384	S	7/1989 Holewinski
D317,118	S	5/1991 Crawford
5,025,817	A	6/1991 Wen
5,061,102	A	10/1991 Rennie
D321,319	S *	11/1991 Giuseppe ..... D23/366
5,092,700	A	3/1992 Susini et al.
5,150,808	A	9/1992 Hamilton
D333,780	S	3/1993 Jones et al.
D333,784	S	3/1993 Goodman
D339,986	S	10/1993 Garouste et al.
D343,699	S	1/1994 Yang
5,287,979	A	2/1994 Bourgeois
D346,112	S	4/1994 Alcinder
D354,441	S	1/1995 Fontanella
D357,584	S	4/1995 Swinger
D368,220	S	3/1996 Bicknell et al.
D368,427	S	4/1996 Bicknell et al.
D377,757	S	2/1997 Bertolini et al.
D387,662	S	12/1997 Bright et al.
D389,409	S	1/1998 Tucker
D393,421	S	4/1998 Kovens
5,743,404	A	4/1998 Melashenko et al.
5,792,496	A	8/1998 Fekete
D398,533	S	9/1998 Kotyuk et al.
5,808,215	A	9/1998 Kralik et al.
D406,764	S	3/1999 Bright et al.
5,884,637	A	3/1999 Joulia
D408,738	S	4/1999 Wu
5,925,391	A	7/1999 Whetstone, Jr.
5,988,424	A	11/1999 Kovens
6,010,264	A	1/2000 Scuderi et al.
D422,904	S	4/2000 Lepsius et al.
6,050,438	A	4/2000 Kovens et al.
6,059,133	A	5/2000 Lai
6,099,872	A	8/2000 Whetstone, Jr.
6,193,427	B1	2/2001 Benguigui
D443,726	S	6/2001 Faillant-Dumas
6,283,658	B1	9/2001 Estevez et al.
6,391,972	B1	5/2002 Hatakeyama
D458,835	S	6/2002 Delli-Venneri
D459,216	S	6/2002 Heijdenrijk
D465,149	S	11/2002 Bennett et al.
D465,614	S	11/2002 Petit
D465,733	S	11/2002 Hill
D466,252	S	11/2002 Yu
D471,667	S	3/2003 Angeletta
D476,111	S	6/2003 Karafotas
D476,884	S	7/2003 Miranda
6,626,313	B2	9/2003 Herbstreit et al.
D480,633	S	10/2003 Miranda
D484,585	S *	12/2003 Upson ..... D23/366
D484,646	S	12/2003 Ditrichstein
6,688,795	B1	2/2004 Jacob et al.
D489,148	S	4/2004 Sheng
6,773,187	B2	8/2004 Gueret
D504,979	S	5/2005 Lai
D506,850	S	6/2005 Angeletta
D507,177	S	7/2005 Weissman
D509,890	S *	9/2005 Stavale ..... D23/366
D510,991	S *	10/2005 Harbutt ..... D23/366
D522,642	S *	6/2006 Matsuda ..... D23/366
D534,076	S	12/2006 Green et al.
D536,081	S *	1/2007 Steinel ..... D23/366
D543,244	S *	5/2007 Tsuruha ..... D19/73
D552,473	S *	10/2007 Simkin ..... D9/516
D554,529	S	11/2007 Green et al.
D561,608	S	2/2008 Hogben
D562,699	S	2/2008 Green et al.
D564,900	S	3/2008 Green et al.
D573,026	S	7/2008 Tsai
D577,583	S	9/2008 Porter et al.
D577,584	S	9/2008 Porter et al.
D578,393	S	10/2008 Canamasas Puigbo
D582,291	S	12/2008 de Baschmakoff
D585,129	S *	1/2009 Huang ..... D23/366
7,503,331	B2	3/2009 Eng et al.
D592,064	S	5/2009 Kilany
D602,663	S	10/2009 Pennington
D608,084	S	1/2010 Anson et al.
D608,826	S	1/2010 Laguatan et al.
D610,458	S	2/2010 Martin
D611,587	S *	3/2010 Dineen ..... D23/366
D612,245	S	3/2010 Canamasas Puigbo
7,699,062	B2	4/2010 Sasaki
D615,818	S	5/2010 Jansen
D617,439	S *	6/2010 Valentino ..... D23/367
D625,469	S	10/2010 Dubitsky et al.
D631,204	S	1/2011 Dubitsky et al.
D638,880	S	5/2011 Rashid
D643,879	S	8/2011 Rashid
D644,939	S	9/2011 Teller
D651,903	S	1/2012 Teller
D660,451	S	5/2012 Matsuura
D668,298	S	10/2012 Rashid
D669,232	S	10/2012 Chung et al.
8,388,252	B2	3/2013 Thiebaut
D680,439	S	4/2013 Reetz
D681,118	S	4/2013 Mueller et al.
8,444,337	B2	5/2013 Teller et al.
8,651,308	B1	2/2014 Sung
8,747,002	B2	6/2014 Izkovitz
D709,652	S	7/2014 Teller
D710,544	S	8/2014 Shen
8,851,088	B2	10/2014 Dibnah
D717,038	S	11/2014 Lee
8,888,391	B2 *	11/2014 Teller ..... A45D 40/00 206/385
D726,028	S	4/2015 Thompson
D731,180	S *	6/2015 Neuhaus ..... D3/273
D732,341	S *	6/2015 Matharu ..... D7/300
D735,413	S	7/2015 Smith
D737,136	S	8/2015 Lam
D740,493	S	10/2015 David
D742,593	S	11/2015 Corey
D747,621	S	1/2016 Amerson
9,232,844	B2 *	1/2016 Thompson ..... A45D 40/00
D748,976	S	2/2016 Mitchell
D758,867	S	6/2016 Tsai
D759,897	S	6/2016 Eberlein et al.
D760,527	S *	7/2016 Jones ..... D7/300
D762,329	S	7/2016 Teller et al.
D763,102	S	8/2016 Pires
D763,512	S	8/2016 Teller et al.

(56)

References Cited

FOREIGN PATENT DOCUMENTS

U.S. PATENT DOCUMENTS

D764,105 S 8/2016 Teller et al.  
 D764,106 S 8/2016 Teller et al.  
 D764,107 S 8/2016 Teller et al.  
 D764,108 S 8/2016 Teller et al.  
 D764,109 S 8/2016 Teller et al.  
 D764,110 S 8/2016 Teller et al.  
 D764,111 S 8/2016 Teller et al.  
 D764,112 S \* 8/2016 Teller ..... D28/82  
 D764,113 S 8/2016 Teller et al.  
 D764,114 S 8/2016 Teller et al.  
 D764,710 S 8/2016 Teller et al.  
 D764,711 S 8/2016 Teller et al.  
 D764,712 S 8/2016 Teller et al.  
 D764,713 S 8/2016 Teller et al.  
 D764,714 S 8/2016 Teller et al.  
 D766,512 S 9/2016 Teller et al.  
 D768,936 S 10/2016 Yoshida  
 D768,937 S 10/2016 Yoshida  
 D769,533 S 10/2016 Teller et al.  
 D770,685 S 11/2016 Teller et al.  
 D771,430 S 11/2016 Yip et al.  
 D771,873 S 11/2016 Teller  
 D777,847 S \* 1/2017 Rost ..... D21/680  
 D777,979 S \* 1/2017 Lozano ..... D28/38  
 D777,982 S 1/2017 Son  
 D777,983 S \* 1/2017 Teller ..... D28/82  
 D779,137 S 2/2017 Taylor  
 D779,329 S 2/2017 Buogo et al.  
 D781,151 S 3/2017 Lerman  
 9,585,458 B2 3/2017 Teller et al.  
 D787,338 S \* 5/2017 Dorsinville ..... D9/519  
 D788,372 S 5/2017 Reed et al.  
 D788,586 S 6/2017 Molinari  
 D789,241 S 6/2017 Cao  
 D793,236 S 8/2017 Santos et al.  
 D797,190 S 9/2017 Laemle  
 D797,553 S 9/2017 Thompson  
 D804,099 S 11/2017 Teller et al.  
 2002/0003983 A1 1/2002 Gueret  
 2002/0008105 A1 1/2002 Herbstreit et al.  
 2002/0033397 A1 3/2002 Henson  
 2003/0077102 A1 4/2003 Bourjal  
 2003/0161851 A1 8/2003 Breha, III et al.  
 2004/0005186 A1 1/2004 Ueda et al.  
 2006/0081721 A1 \* 4/2006 Caserta ..... A01M 1/2044  
 239/44  
 2006/0201838 A1 9/2006 Sasaki  
 2006/0254945 A1 11/2006 Green et al.  
 2007/0017915 A1 1/2007 Weder et al.  
 2007/0108092 A1 5/2007 Minuto et al.  
 2008/0110854 A1 5/2008 Kelly  
 2008/0213028 A1 9/2008 Hosokawa et al.  
 2009/0022541 A1 1/2009 De LaForce  
 2011/0024316 A1 2/2011 Ginsburg  
 2011/0135377 A1 6/2011 Teller  
 2011/0253731 A1 10/2011 Smith  
 2013/0302080 A1 11/2013 Teller et al.  
 2013/0322950 A1 12/2013 Teller  
 2013/0330427 A1 12/2013 Smigel et al.  
 2013/0341832 A1 12/2013 Teller et al.  
 2013/0341833 A1 12/2013 Teller et al.  
 2014/0013712 A1 1/2014 Teller  
 2014/0105666 A1 4/2014 Teller  
 2014/0138273 A1 5/2014 Glass  
 2015/0037082 A1 2/2015 Pires et al.  
 2015/0096919 A1 4/2015 Thompson  
 2015/0182004 A1 7/2015 Teller et al.  
 2016/0262522 A1 9/2016 Teller et al.  
 2016/0295993 A1 10/2016 Wojcik  
 2017/0013936 A1 1/2017 Schlatter  
 2017/0150802 A1 6/2017 Parlionas

EP 000031679-0001 11/2007  
 EP 001710245-0003 8/2010  
 EP 003000363-0002 3/2016  
 ES 0505578-01 11/2007  
 FR 2563711 5/1984  
 FR 2766339 7/1997  
 FR 040004-001 2/2007  
 FR 2925263 12/2007  
 GB 446424 10/1935  
 GB 2162822 5/1985  
 GB 2007213 5/1990  
 JP 1136041 3/2002  
 JP 455237-001 6/2003  
 JP 1175238 6/2003  
 JP 2004321410 11/2004  
 JP 3914892 2/2007  
 KR 300743262-0000 5/2014  
 TW D154118 6/2013  
 TW D174258 3/2016  
 WO WO2007/007288 1/2007

OTHER PUBLICATIONS

U.S. Appl. No. 29/411,933, filed Jan. 2012, Teller.  
 U.S. Appl. No. 13/891,264, filed May 2013, Teller.  
 U.S. Appl. No. 14/973,717, filed Dec. 2015, Teller.  
 U.S. Appl. No. 14/988,740, filed Jan. 2016, Teller.  
 U.S. Appl. No. 15/016,257, filed Feb. 2016, Teller.  
 U.S. Appl. No. 29/569,183, filed Jun. 2016, Teller.  
 U.S. Appl. No. 29/569,184, filed Jun. 2016, Teller.  
 U.S. Appl. No. 29/569,185, filed Jun. 2016, Teller.  
 U.S. Appl. No. 29/569,186, filed Jun. 2016, Teller et al.  
 U.S. Appl. No. 29/569,187, filed Jun. 2016, Dubitsky et al.  
 U.S. Appl. No. 29/573,625, filed Aug. 2016, Teller et al.  
 U.S. Appl. No. 29/573,688, filed Aug. 2016, Teller et al.  
 U.S. Appl. No. 29/573,703, filed Aug. 2016, Teller et al.  
 U.S. Appl. No. 29/573,704, filed Aug. 2016, Teller et al.  
 U.S. Appl. No. 29/573,710, filed Aug. 2016, Teller et al.  
 U.S. Appl. No. 29/573,712, filed Aug. 2016, Teller et al.  
 U.S. Appl. No. 29/573,717, filed Aug. 2016, Teller et al.  
 U.S. Appl. No. 29/573,719, filed Aug. 2016, Teller et al.  
 U.S. Appl. No. 29/573,721, filed Aug. 2016, Teller et al.  
 U.S. Appl. No. 29/573,726, filed Aug. 2016, Teller et al.  
 U.S. Appl. No. 15/232,450, filed Aug. 2016, Teller et al.  
 U.S. Appl. No. 29/577,625, filed Sep. 2016, Teller et al.  
 U.S. Appl. No. 29/577,649, filed Sep. 2016, Teller et al.  
 U.S. Appl. No. 29/577,656, filed Sep. 2016, Teller et al.  
 U.S. Appl. No. 29/577,660, filed Sep. 2016, Teller et al.  
 U.S. Appl. No. 29/577,663, filed Sep. 2016, Teller et al.  
 U.S. Appl. No. 29/577,666, filed Sep. 2016, Teller et al.  
 U.S. Appl. No. 29/593,433, filed Feb. 2017, Teller et al.  
 U.S. Appl. No. 29/593,445, filed Feb. 2017, Teller et al.  
 U.S. Appl. No. 29/593,450, filed Feb. 2017, Teller et al.  
 U.S. Appl. No. 29/593,453, filed Feb. 2017, Teller et al.  
 U.S. Appl. No. 29/593,454, filed Feb. 2017, Teller et al.  
 U.S. Appl. No. 29/593,456, filed Feb. 2017, Teller et al.  
 U.S. Appl. No. 15/487,057, filed Apr. 2017, Teller et al.  
 U.S. Appl. No. 29/600,564, filed Apr. 2017, Teller et al.  
 U.S. Appl. No. 29/500,571, filed Apr. 2017, Teller et al.  
 5 Minute Lip Balm with EOS Container, posted at youtube.com by WhatsUpMoms, published Apr. 17, 2015 © Standard YouTube License, online, site visited Sep. 25, 2017. Available from Internet, URL: <https://www.youtube.com/watch?v=p3aGGwh>.  
 Search Report dated Oct. 27, 2017 from ROC (Taiwan) Application No. 106301253.  
 Born Pretty Store, "50Pcs/set Dry Wet Amphibious Sponge Powder Puff Round Rectangle Puff Beauty Makeup Tool", Accessed Nov. 14, 2016. (<http://www.bornprettystore.com/50pcsset-amphibious-sponge-powder-puff-round-rectangle-puff-beauty-makeup-tool-p-34825.html>).  
 Born Pretty Store, "1Pc Pro Powder Puff Beauty Cute Egg Shape Sponge Make-up Foundation Makeup (Random Color)", Accessed

(56)

**References Cited**

OTHER PUBLICATIONS

Nov. 14, 2016. (<http://www.bornprettystore.com/powder-puff-beauty-cute-shape-sponge-make-foundation-makeuprandom-color-p-20027.html>).

EP 2509461 Observations by Third Parties; Jun. 9, 2015.

Third Party Observations in Application No. EP20100836463; Jun. 15, 2015.

Letter from Oralab's Counsel regarding ITC Case; Jul. 20, 2015.

EP 2509461 Observations by Third Parties; Jan. 29, 2016.

EP 2509461 Observations by Third Parties; Jun. 30, 2016.

Letter from John L. Welsh enclosing Draft IPR Petition; Jul. 27, 2015.

Webpage from [www.amazon.com](http://www.amazon.com) showing "Lancome Baume Baiser Hydrating Balm Sensual Massage for Lips" product and images (3 pages).

Webpage <http://www.musingsofamuse.com/2009/10/beauty-on-a-budget-eos-lip-balm-review.html>, Oct. 1, 2009.

Jackson, Junkie Obsession: LancA' me's Baume Baiser, Aug. 13, 2007.

Refill for the EOS Lip Balm, posted at Fresh-Picked Beauty, published Jun. 17, 2014.

\* cited by examiner

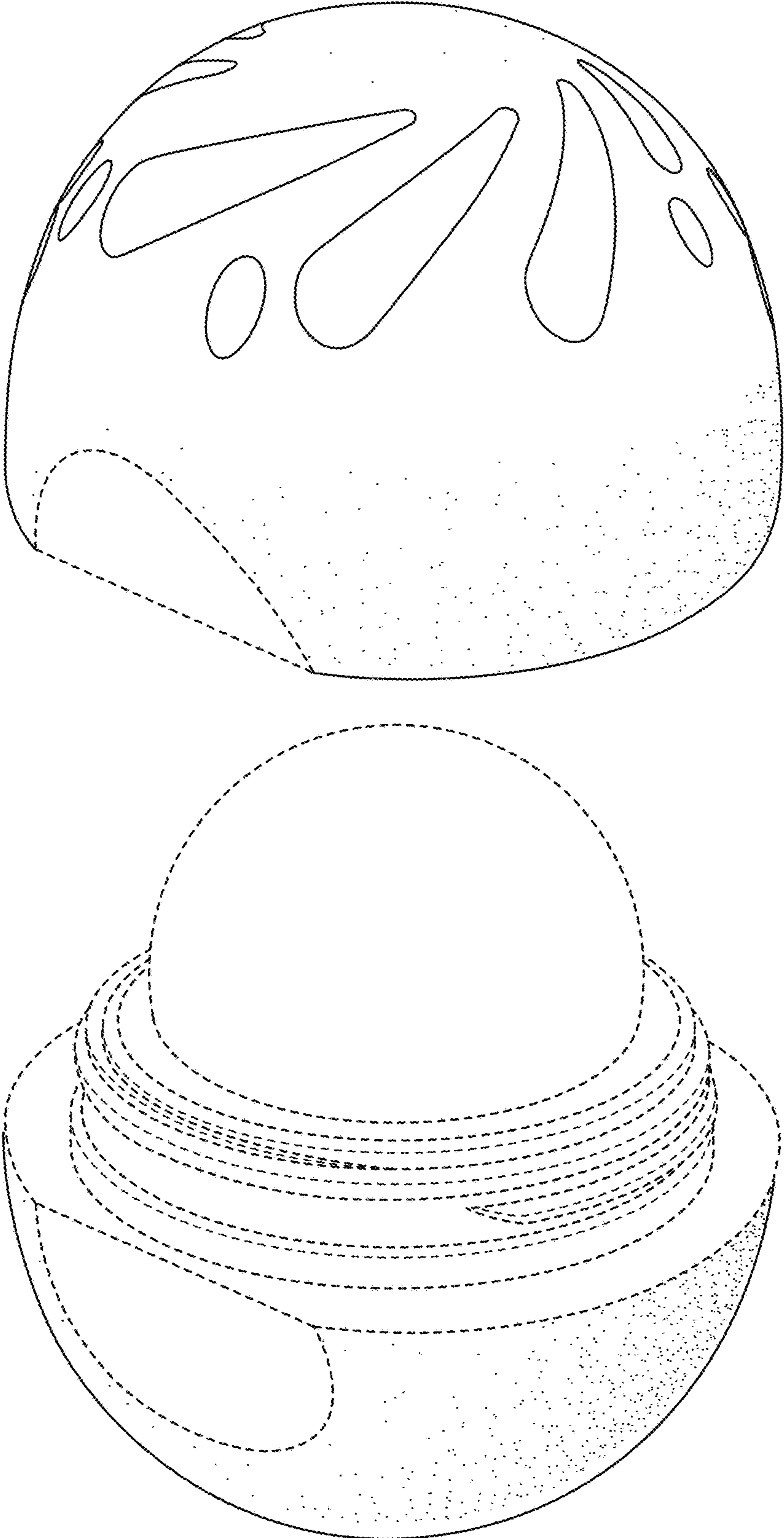


FIG. 1

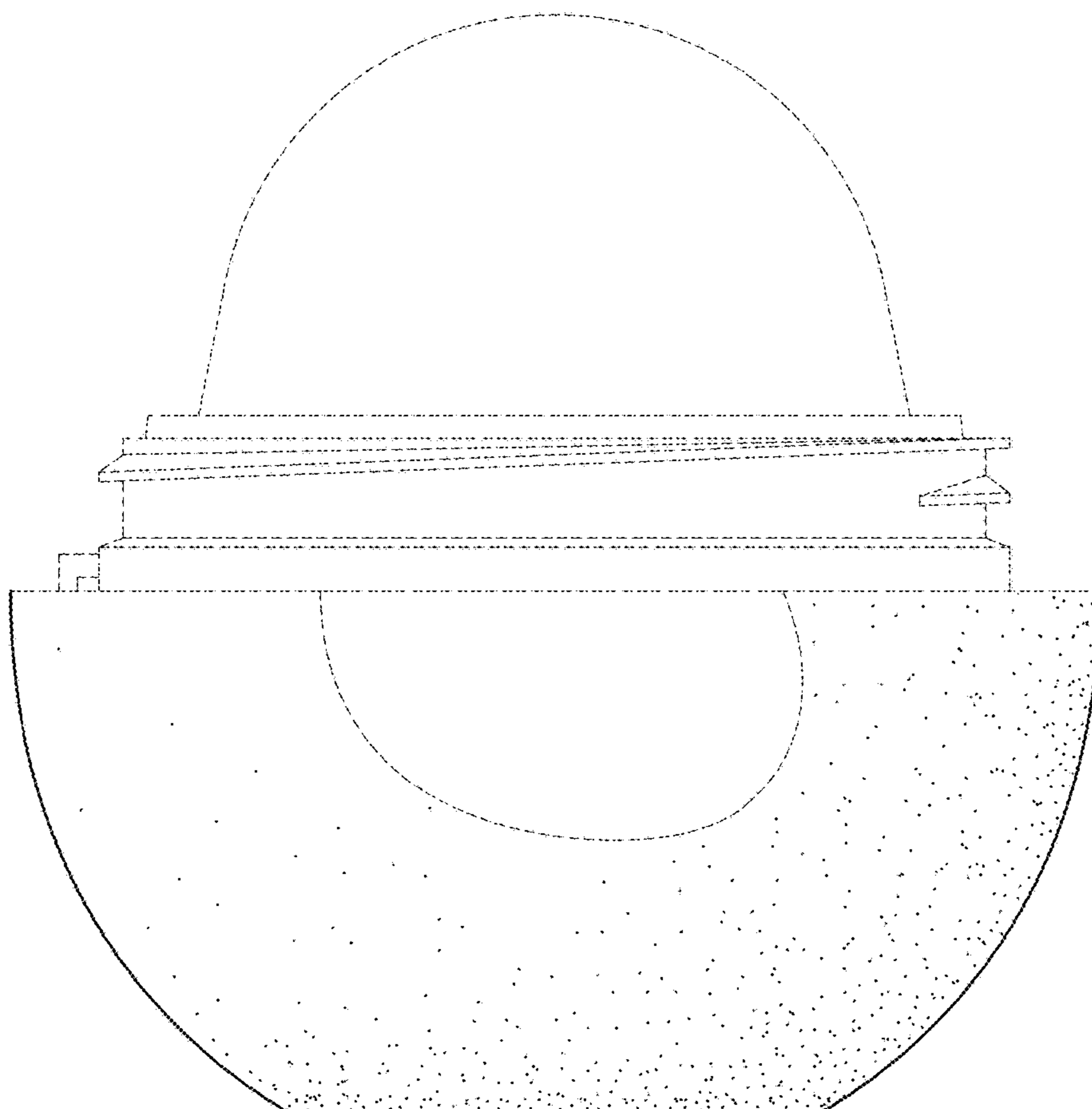
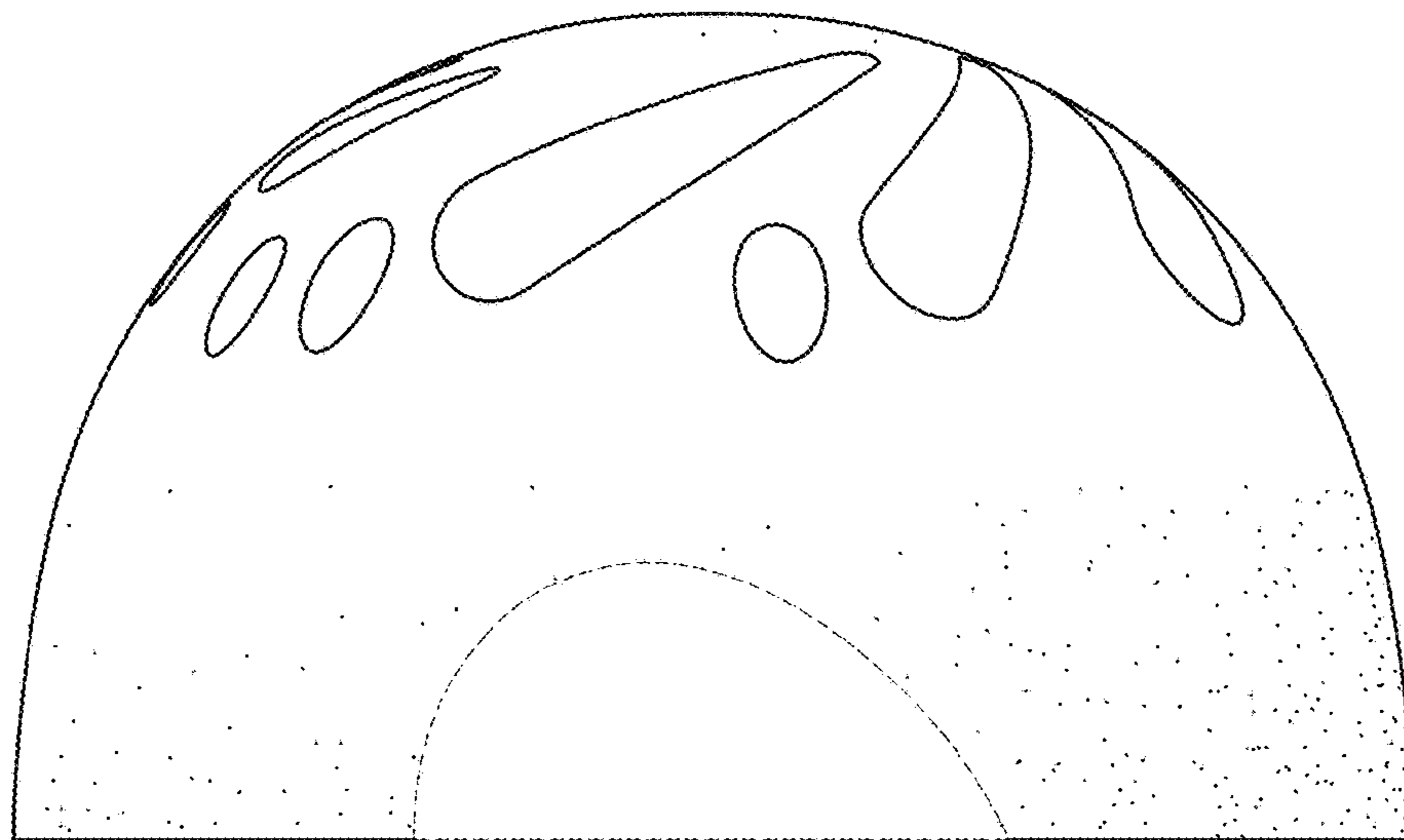


FIG. 2

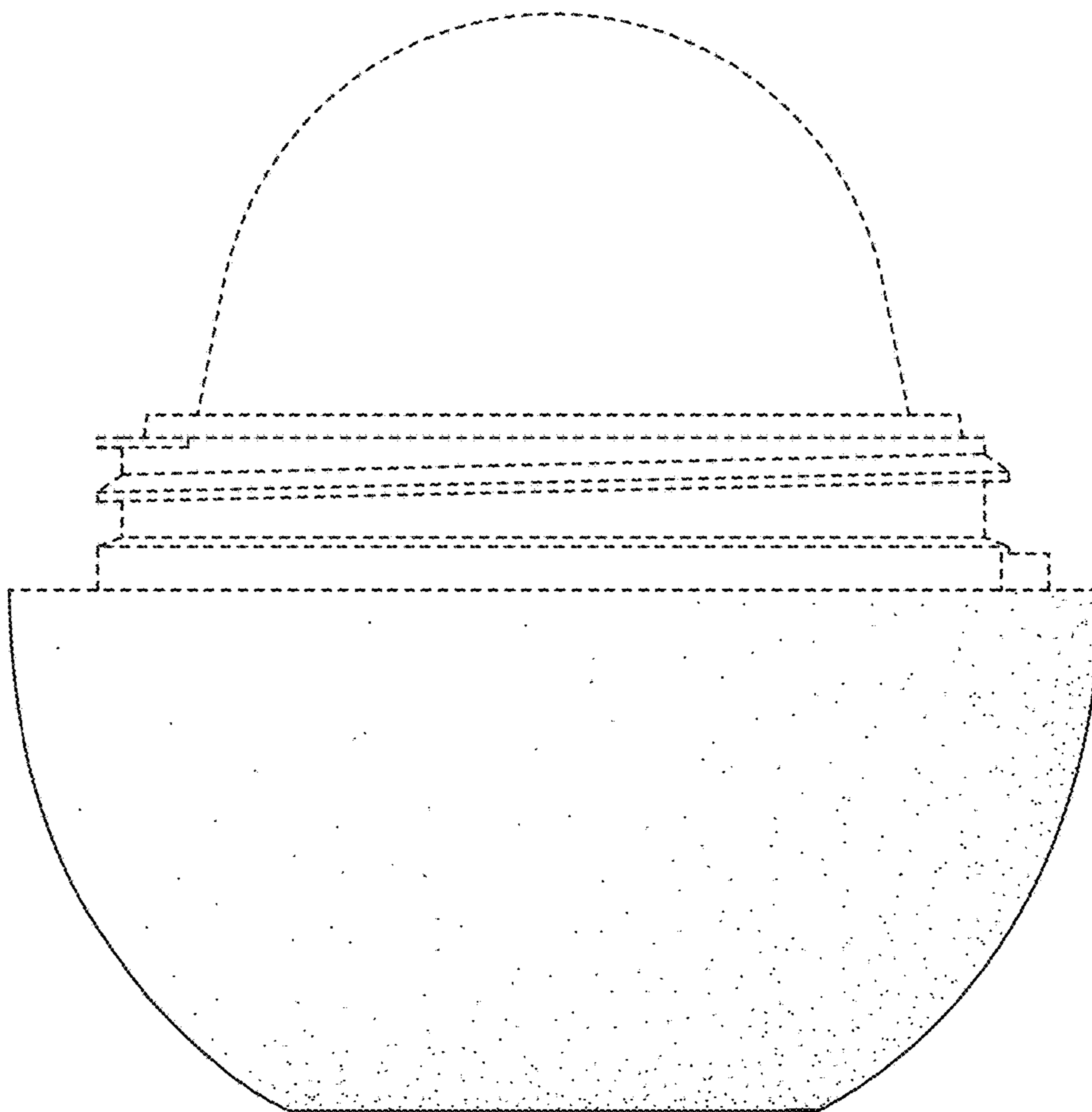
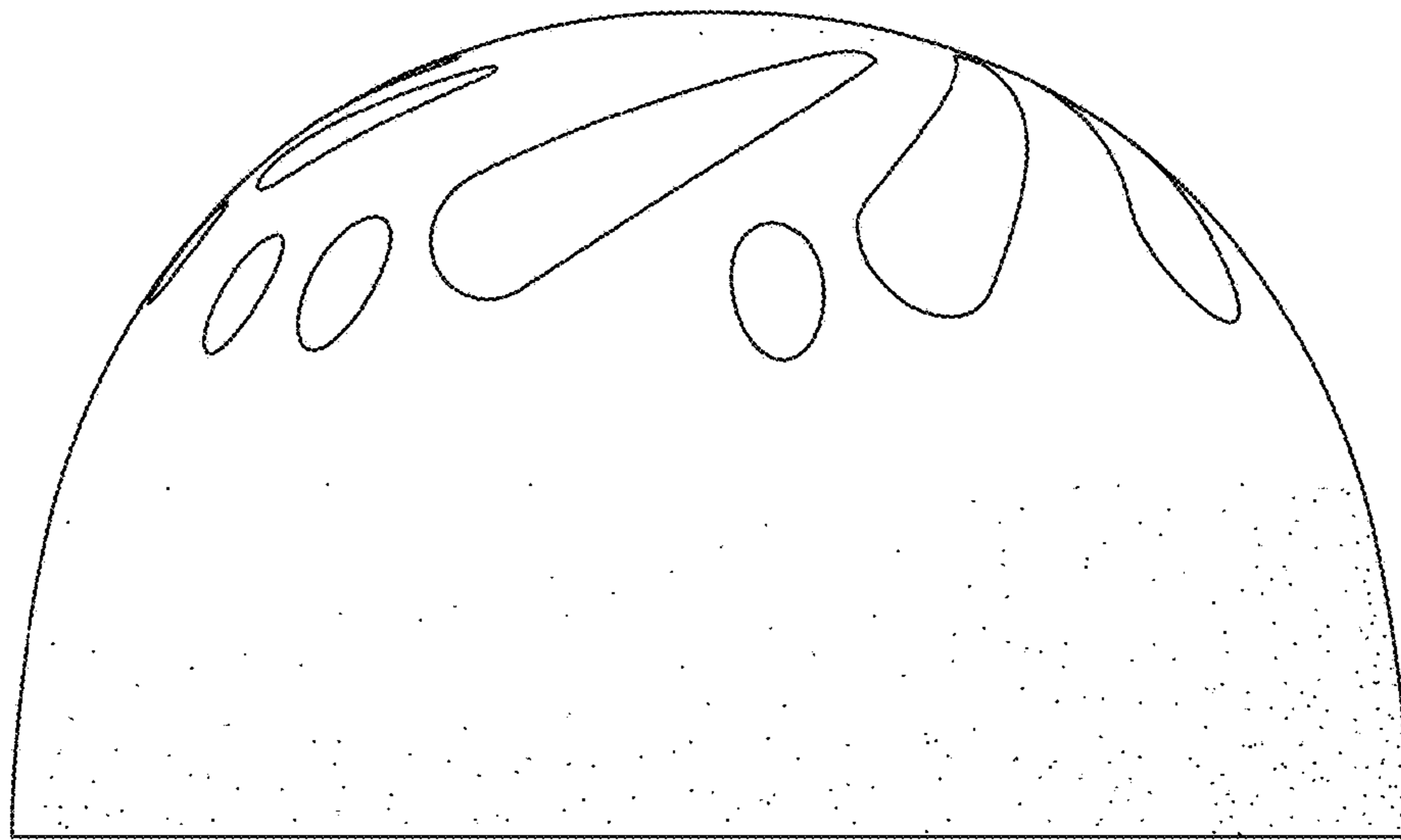


FIG. 3

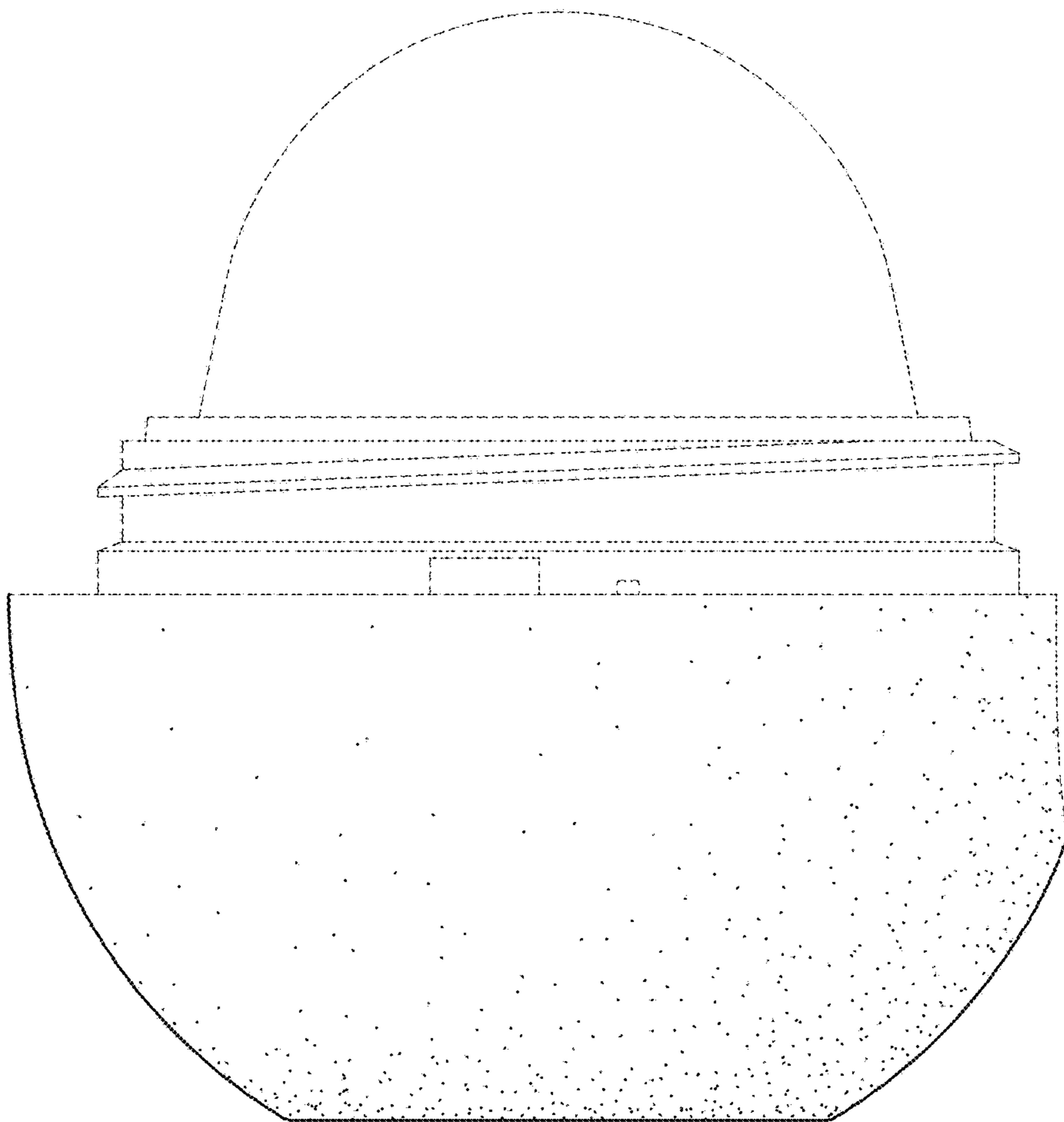
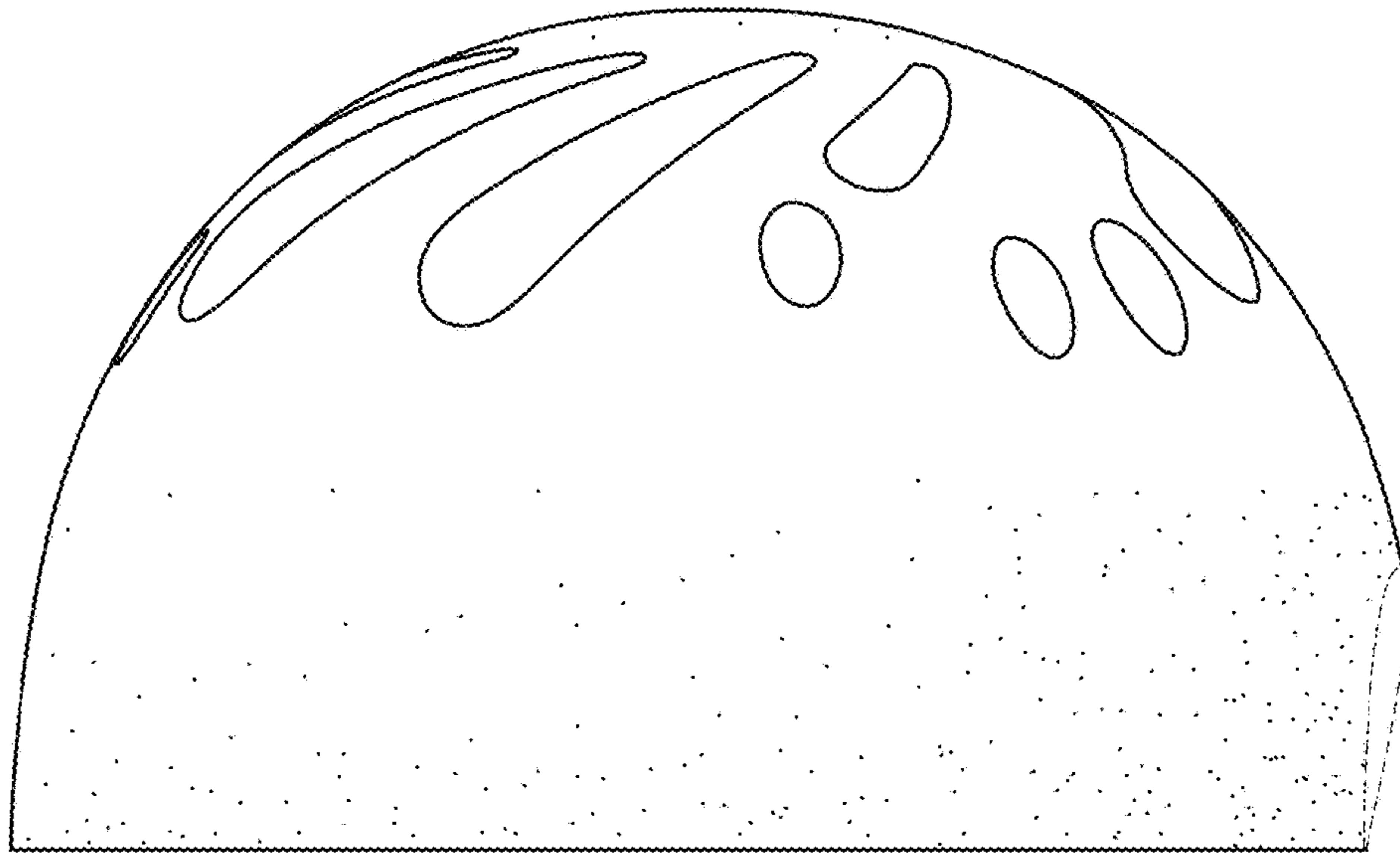


FIG. 4



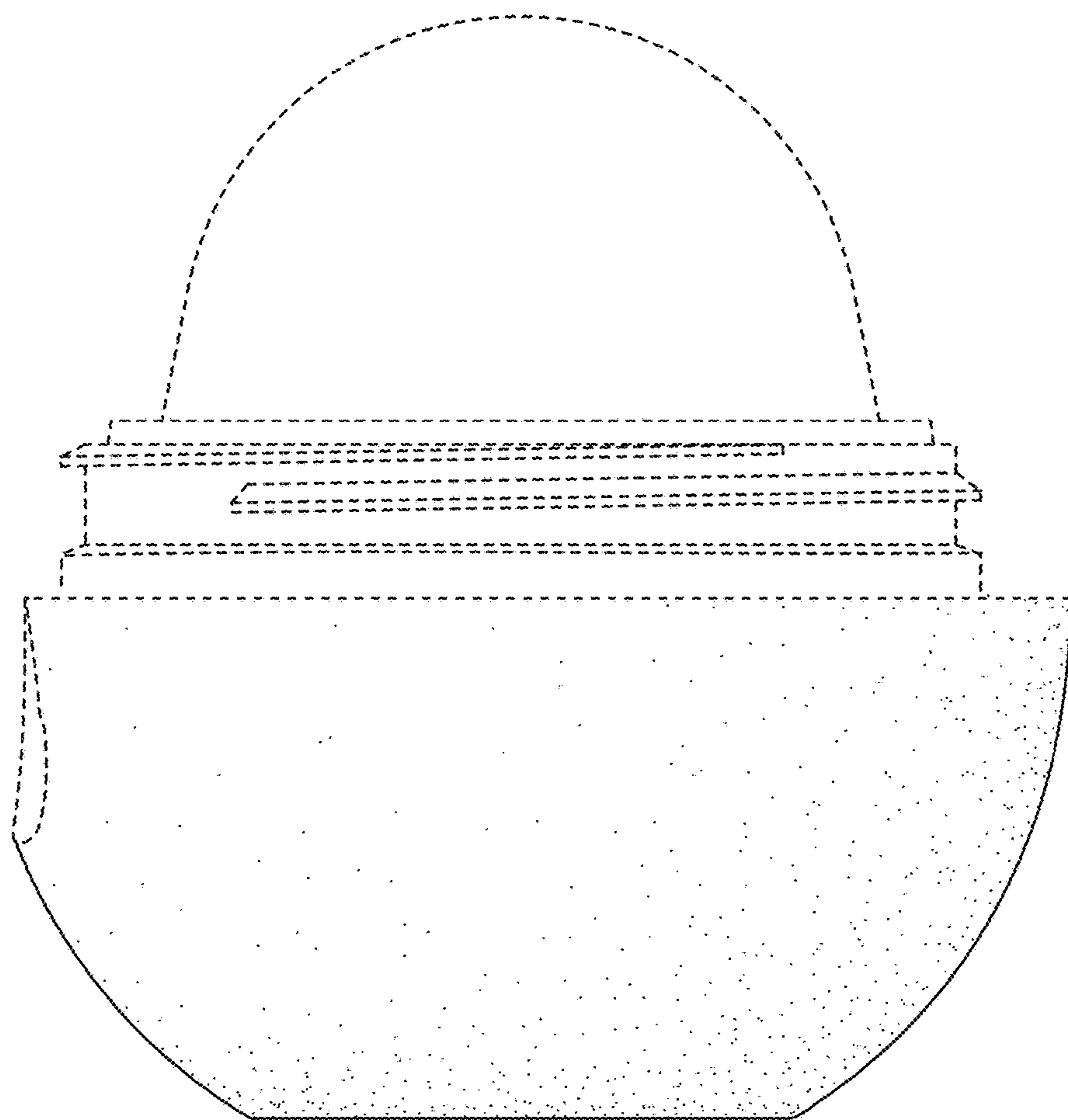


FIG. 5

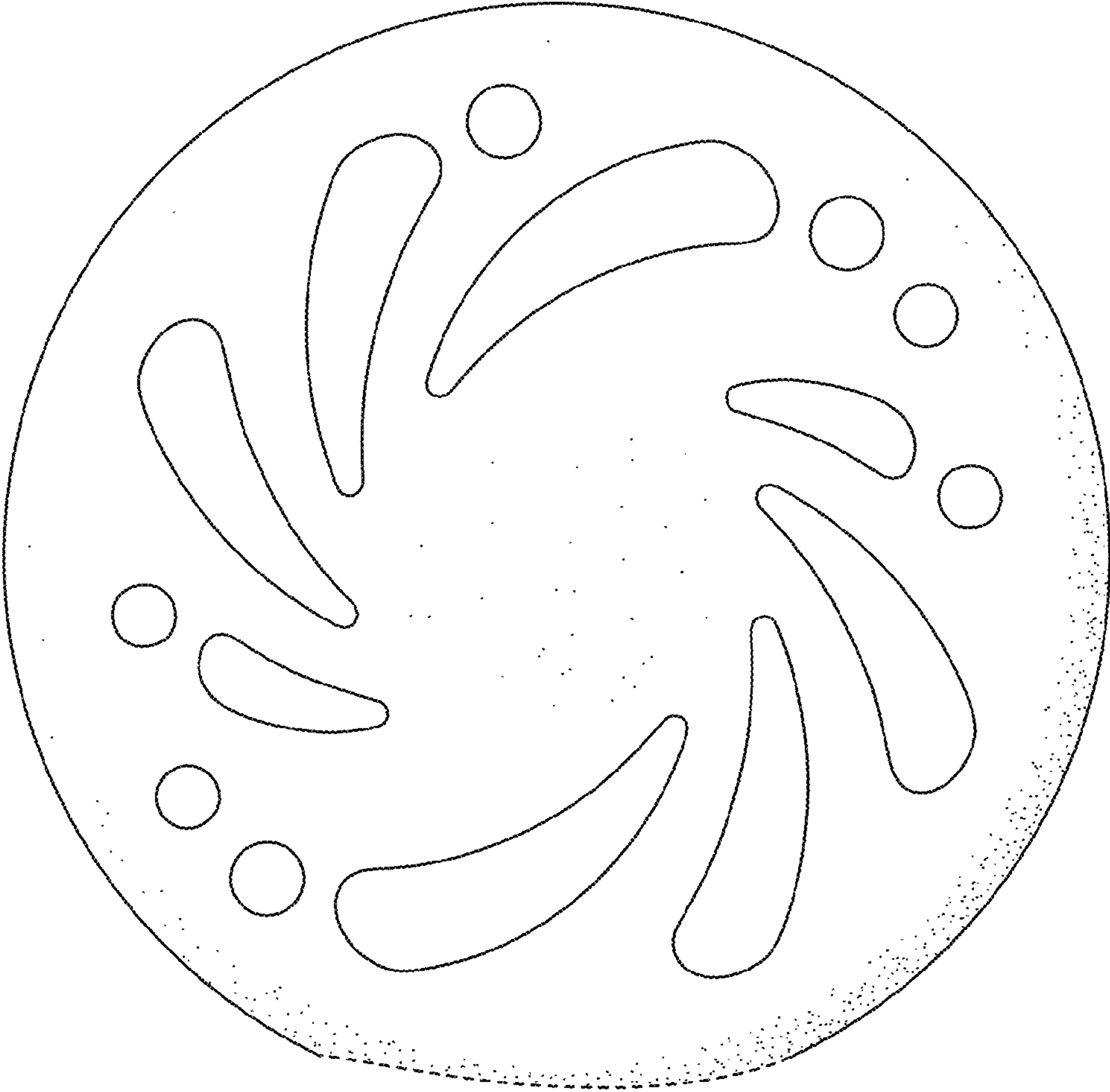


FIG. 6

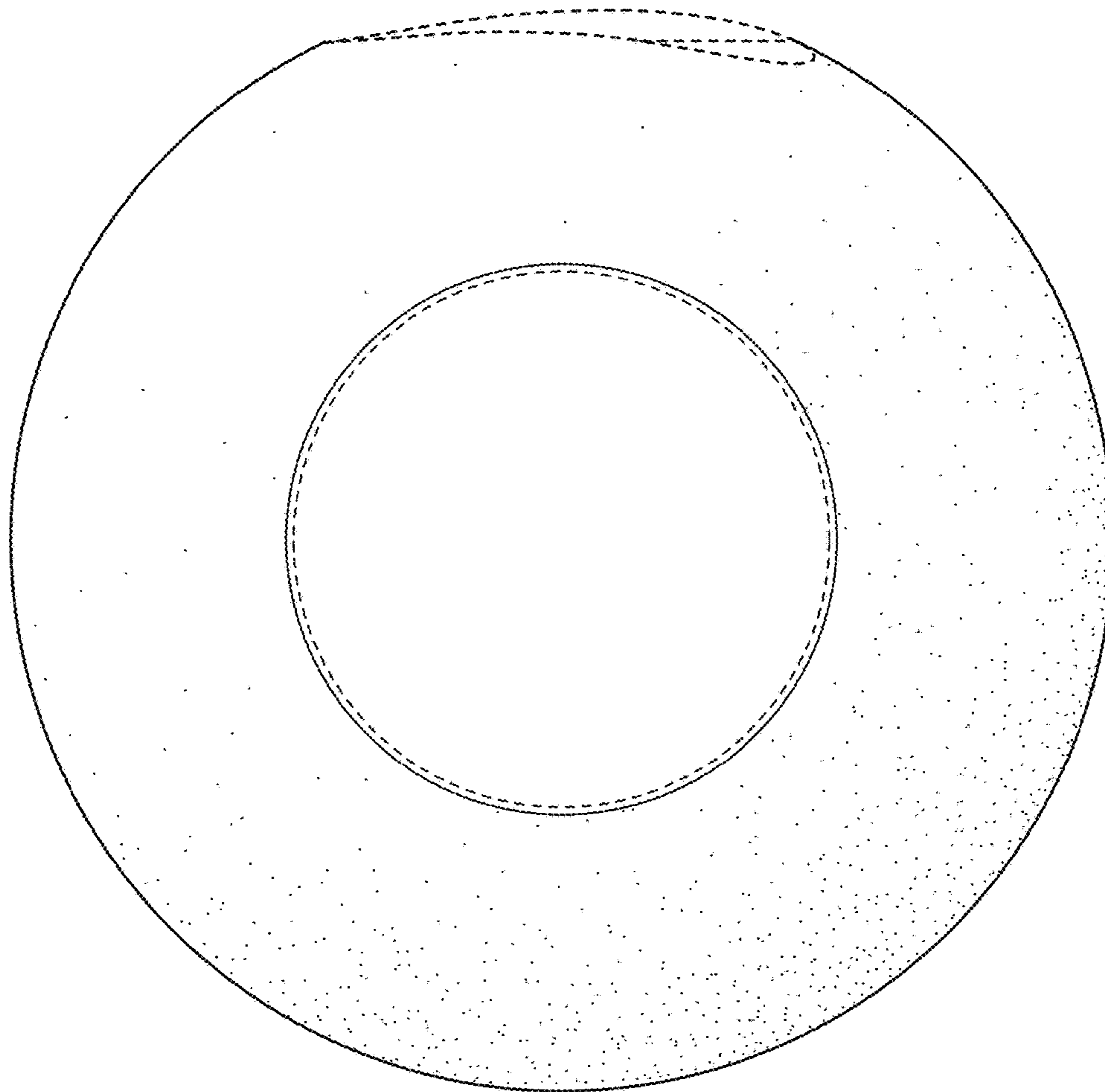


FIG. 7