



US00D830636S

(12) **United States Design Patent** (10) **Patent No.:** **US D830,636 S**
Loong (45) **Date of Patent:** **** Oct. 9, 2018**

- (54) **HAND DRYER HOUSING**
- (71) Applicant: **Banyan Imports**, Lake Forest, CA (US)
- (72) Inventor: **Simon Loong**, Jinhua (CN)
- (**) Term: **15 Years**
- (21) Appl. No.: **29/654,336**
- (22) Filed: **Jun. 22, 2018**
- (51) **LOC (11) Cl.** **28-03**
- (52) **U.S. Cl.**
 USPC **D28/54.1**
- (58) **Field of Classification Search**
 USPC D28/54.1, 12, 58; D14/188, 204;
 34/266, 201, 202; D23/357, 361, 385;
 392/381, 380
 CPC F26B 25/06; A47K 10/48
 See application file for complete search history.

D600,856 S	9/2009	Robert	
D614,812 S *	4/2010	Liu	D28/54.1
D622,908 S	8/2010	Clerch	
D646,850 S	10/2011	Curzon	
D758,019 S *	5/2016	Takiguchi	D28/54.1
D762,008 S	7/2016	Pristatskiy	
D776,352 S *	1/2017	Gagnon	D28/54.1
D780,995 S *	3/2017	Ayre	D28/54.1
D780,996 S	3/2017	Ayre et al.	

FOREIGN PATENT DOCUMENTS

CN	302221941	5/2012
CN	303249569	6/2015
CN	303279060	8/2015
CN	303128229	11/2015

* cited by examiner

Primary Examiner — Susan Bennett Hattan
Assistant Examiner — Rebecca Tsehaye
 (74) *Attorney, Agent, or Firm* — Clement Cheng

(57) **CLAIM**

The ornamental design for a hand dryer housing, as shown and described.

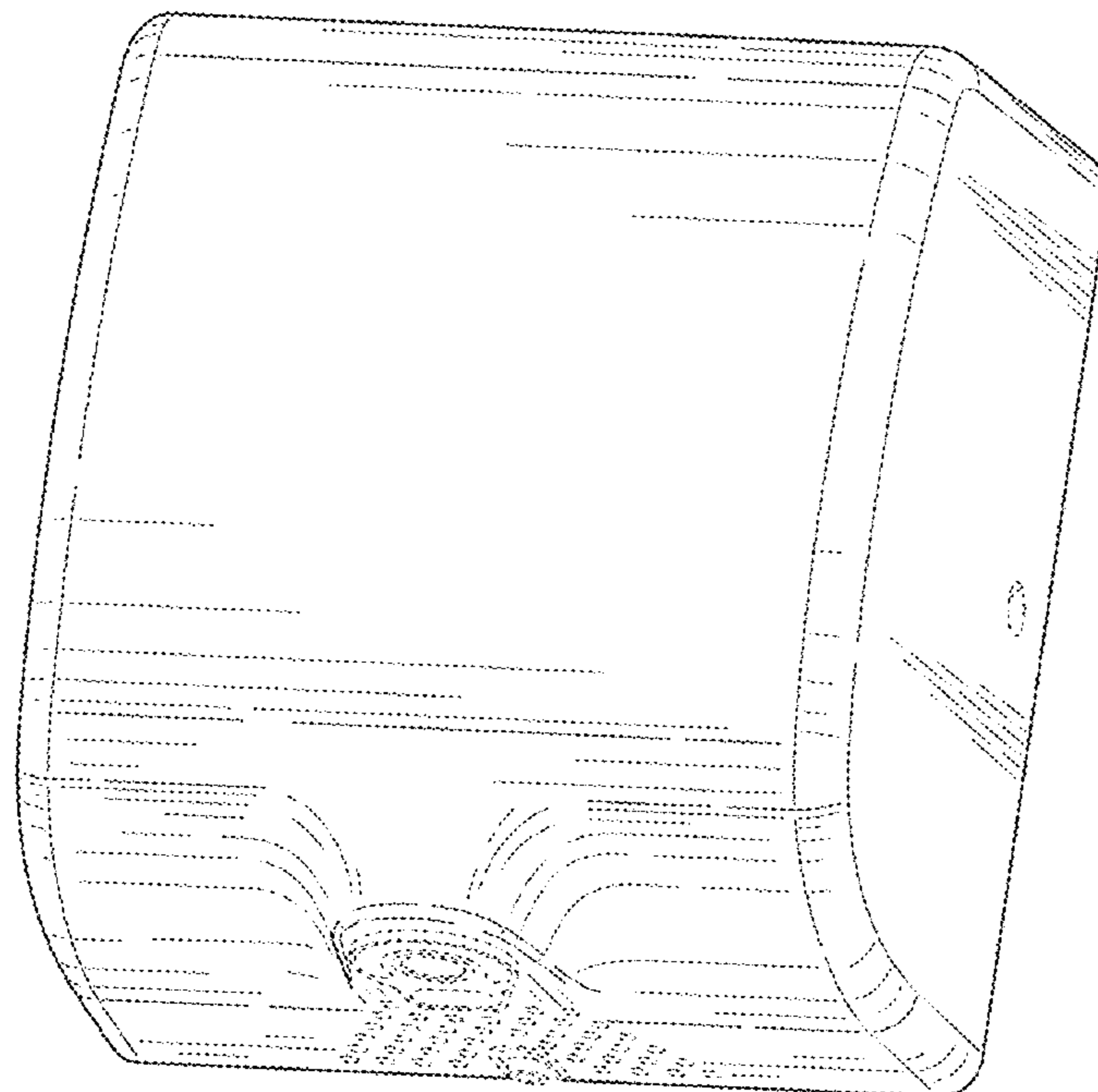
DESCRIPTION

FIG. 1 is a perspective view.
 FIG. 2 is a front view.
 FIG. 3 is a rear view.
 FIG. 4 is a left side view.
 FIG. 5 is a right side view.
 FIG. 6 is a top view; and,
 FIG. 7 is a bottom view.
 The dashed lines in the drawings depict portions of the hand dryer housing that form no part of the claimed design.

1 Claim, 5 Drawing Sheets

(56) **References Cited**
 U.S. PATENT DOCUMENTS

D309,037 S	7/1990	Morrow	
D312,146 S	11/1990	Pilolla	
D359,582 S	6/1995	Schremmer	
D415,857 S *	10/1999	Ayre	D28/54.1
D432,266 S *	10/2000	Lefebvre	D28/54.1
D438,344 S	2/2001	Curzon	
D441,139 S	4/2001	Hansen	
D481,826 S	11/2003	Martinuzzo	
D542,974 S *	5/2007	Karraker	D28/54.1
D542,975 S	5/2007	Izuo	
D543,661 S	5/2007	Liao	
D572,232 S *	7/2008	Joseph	D14/188
D580,596 S *	11/2008	Hsu	D28/54.1
D599,059 S	8/2009	Clerch	



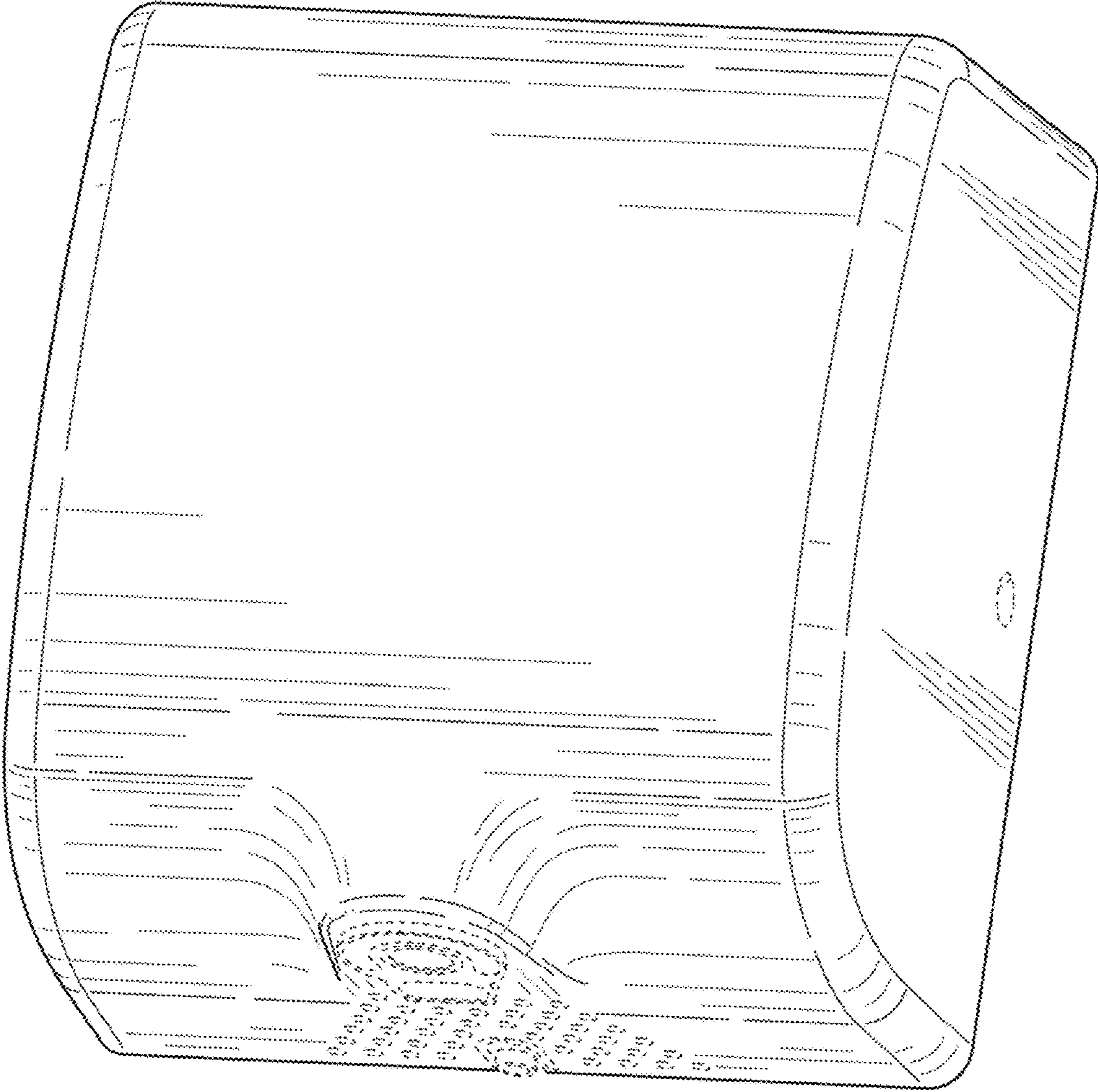


FIG. 1

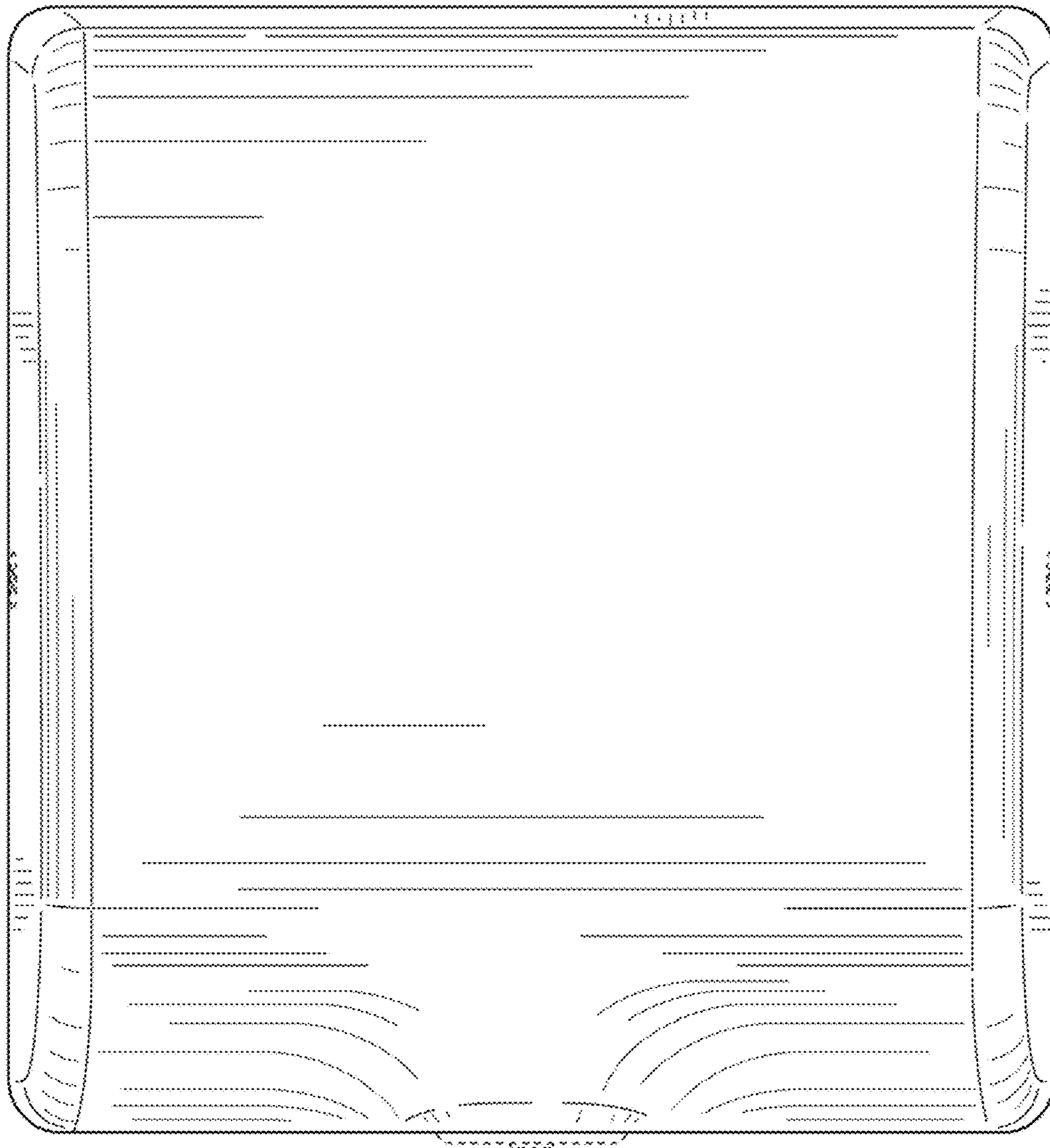


FIG. 2

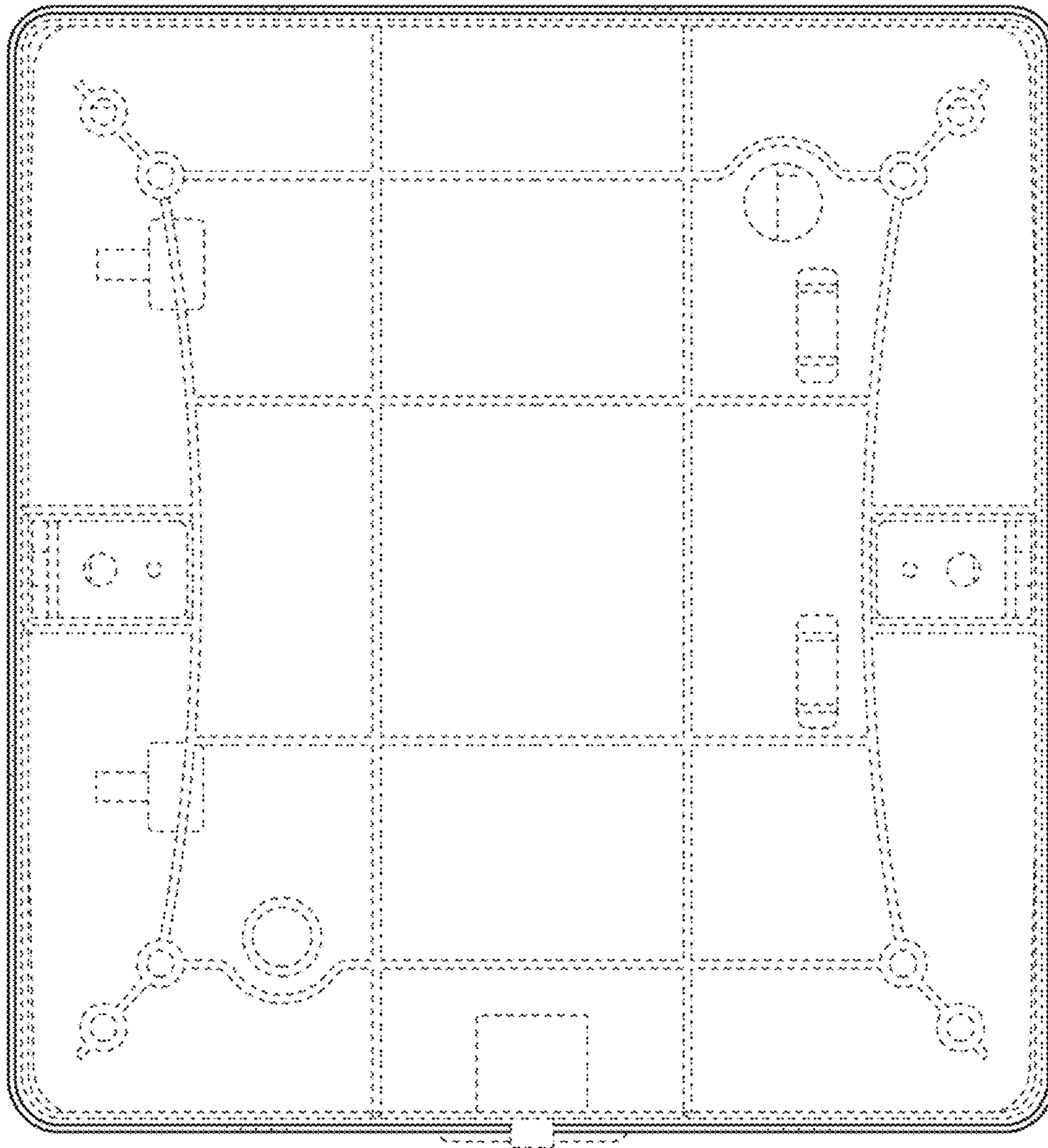


FIG. 3

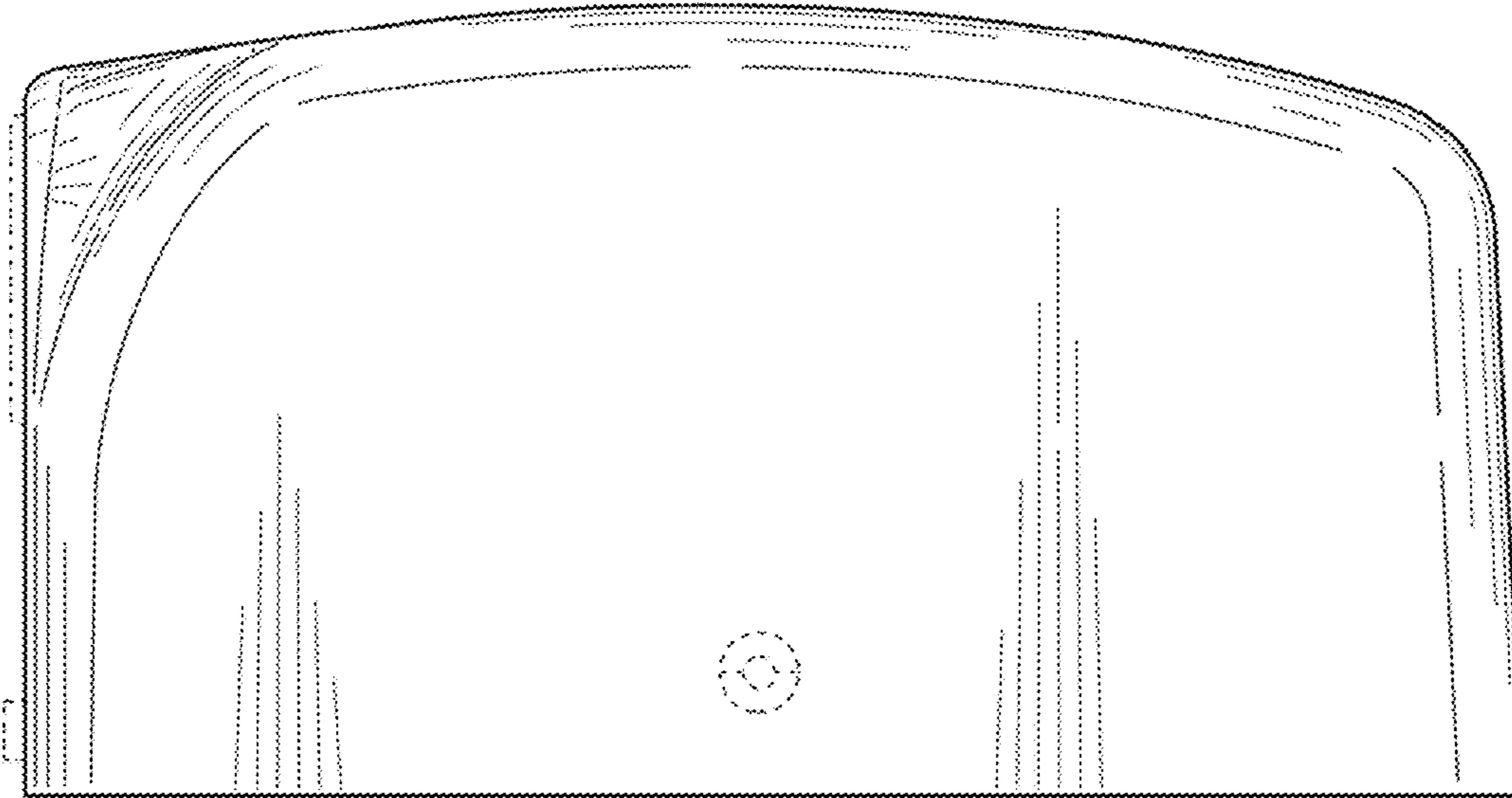


FIG. 4

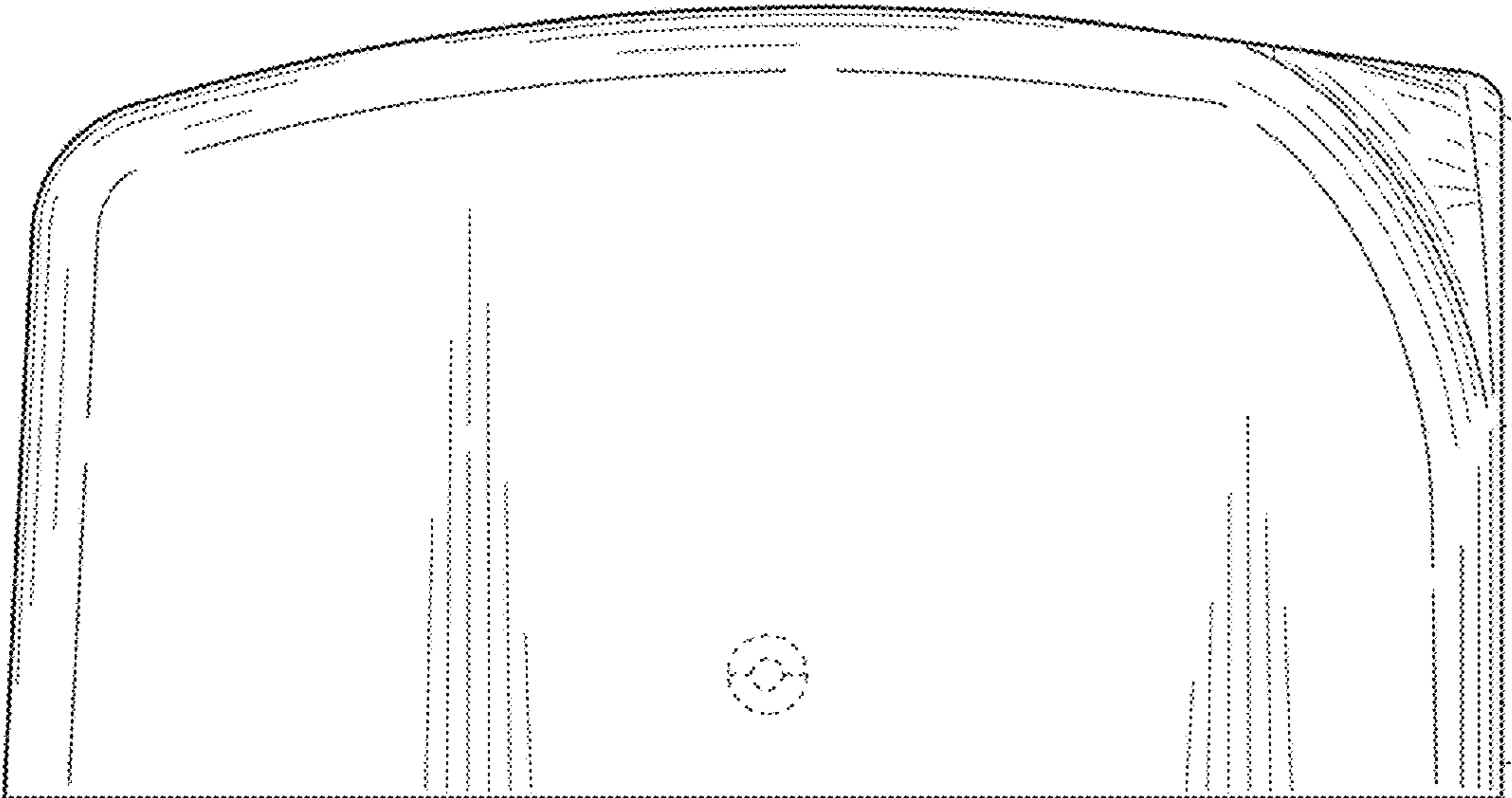


FIG. 5

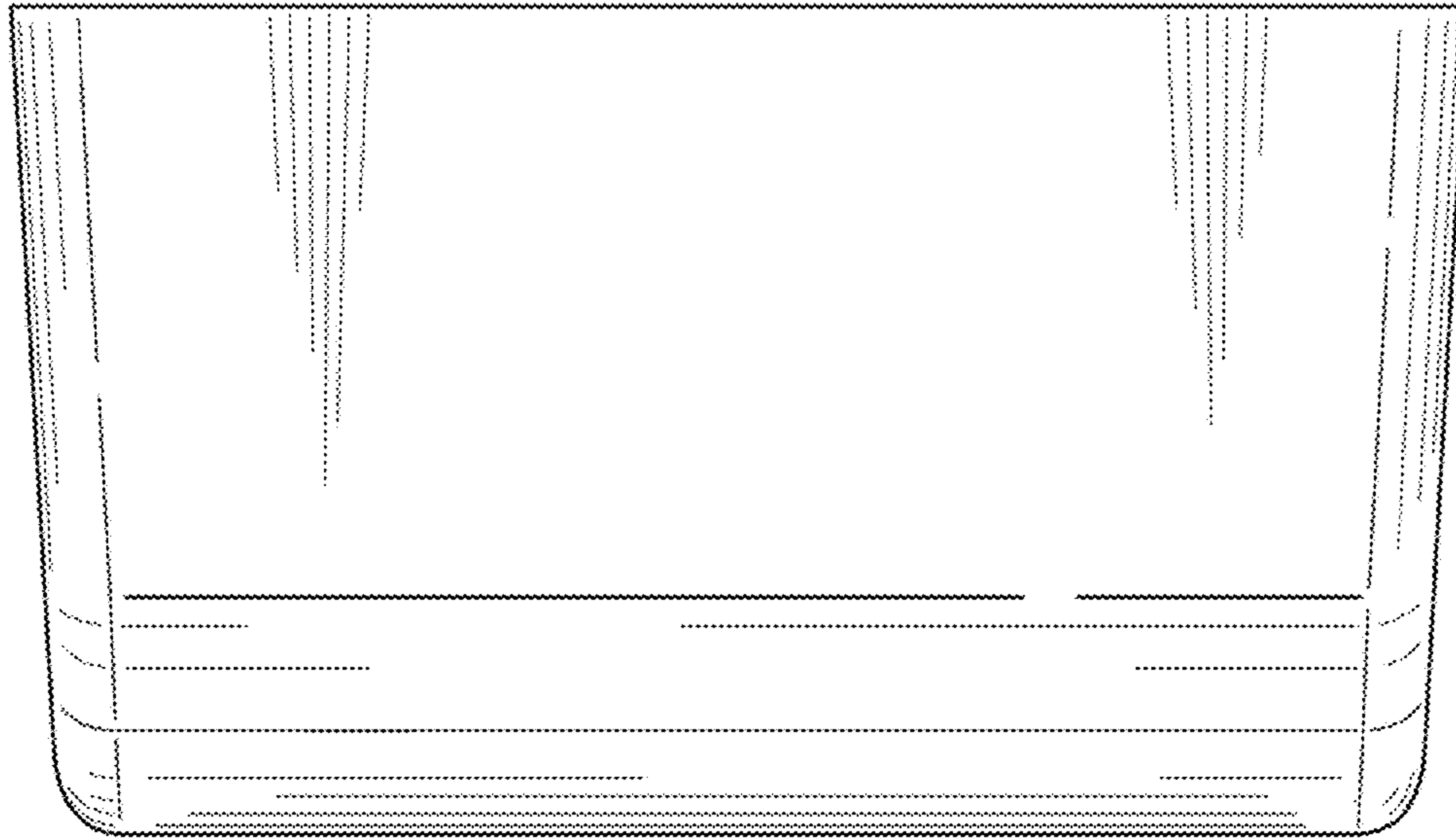


FIG. 6

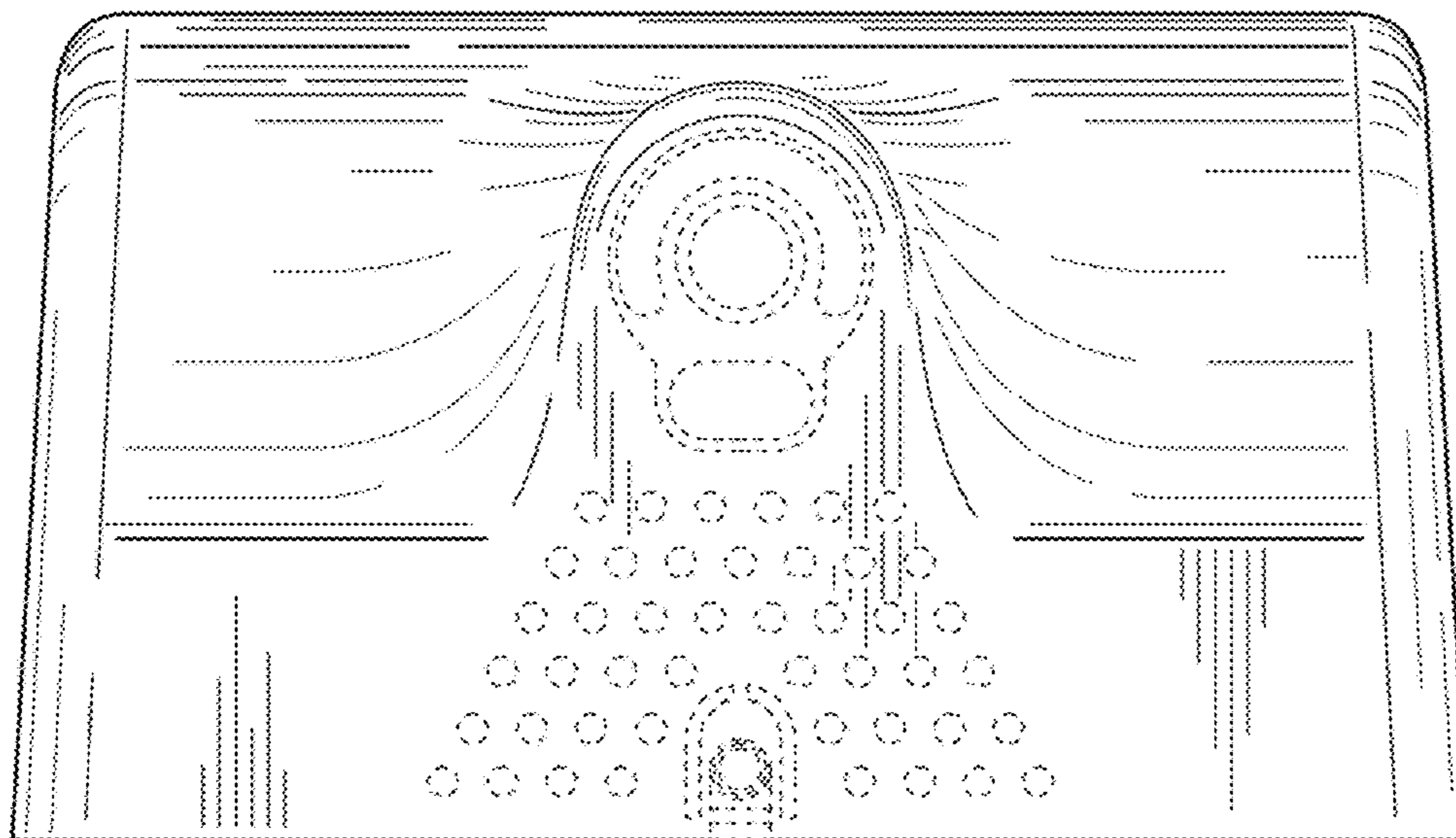


FIG. 7