



US00D830635S

(12) **United States Design Patent**
Liu

(10) **Patent No.:** **US D830,635 S**

(45) **Date of Patent:** **** Oct. 9, 2018**

(54) **HAND DRYER**

(71) Applicant: **HOKWANG INDUSTRIES CO., LTD.**, New Taipei (TW)

(72) Inventor: **Shen-Chen Liu**, New Taipei (TW)

(73) Assignee: **HOKWANG INDUSTRIES CO., LTD.**, New Taipei (TW)

(**) Term: **15 Years**

(21) Appl. No.: **29/569,647**

(22) Filed: **Jun. 29, 2016**

(51) **LOC (11) Cl.** **28-03**

(52) **U.S. Cl.**
USPC **D28/54.1**

(58) **Field of Classification Search**
USPC D28/54.1, 12, 58, 54; D34/12, 16, 17, D34/20, 23, 24, 27; D8/349, 354, 358, D8/499; 280/47.9, 47.24, 47.315, 63; 242/557, 566, 594.3, 594.5, 594.6, 588, 242/588.1; D9/641, 695, 499; D22/112; D32/25, 31, 32, 40, 60; D16/203, 202
CPC B62B 2202/025; B62B 2203/05; B65H 49/32; B65H 54/54; F26B 25/06
See application file for complete search history.

(56) **References Cited**

U.S. PATENT DOCUMENTS

6,751,886	B2 *	6/2004	Chang	A45D 20/122
					34/96
6,842,581	B2 *	1/2005	Schafer	A47K 10/48
					34/90
D531,698	S *	11/2006	Wood	D23/238
D535,476	S *	1/2007	Pennington	D3/262
D589,995	S *	4/2009	Kellar	D16/203
D589,996	S *	4/2009	Kellar	D16/203
D646,354	S *	10/2011	Gessi	D23/238
D669,222	S *	10/2012	Dyson	D28/54.1
D672,424	S *	12/2012	Buie, II	D22/108

D676,620	S *	2/2013	Lindom	D32/31
D682,472	S *	5/2013	Dyson	D28/54.1
D703,380	S *	4/2014	Lee	D28/54.1
D706,983	S *	6/2014	Courtney	D28/54.1
D707,395	S *	6/2014	Courtney	D28/54.1
D716,492	S *	10/2014	Dyson	A45D 20/12

					D28/13
9,675,157	B2 *	6/2017	Courtney	A45D 20/10
9,687,058	B2 *	6/2017	Atkinson	A45D 20/122

(Continued)

OTHER PUBLICATIONS

“Dyson ‘Airblade Tap’ dries hands at sink,” [online], posted Feb. 5, 2013, retrieved Sep. 5, 2017, retrieved from <<http://abcnews.go.com/blogs/technology/2013/02/dyson-airblade-tap-dries-hands-at-sink/>>.*

(Continued)

Primary Examiner — Shannon W Morgan
(74) *Attorney, Agent, or Firm* — Muncy, Geissler, Olds & Lowe, P.C.

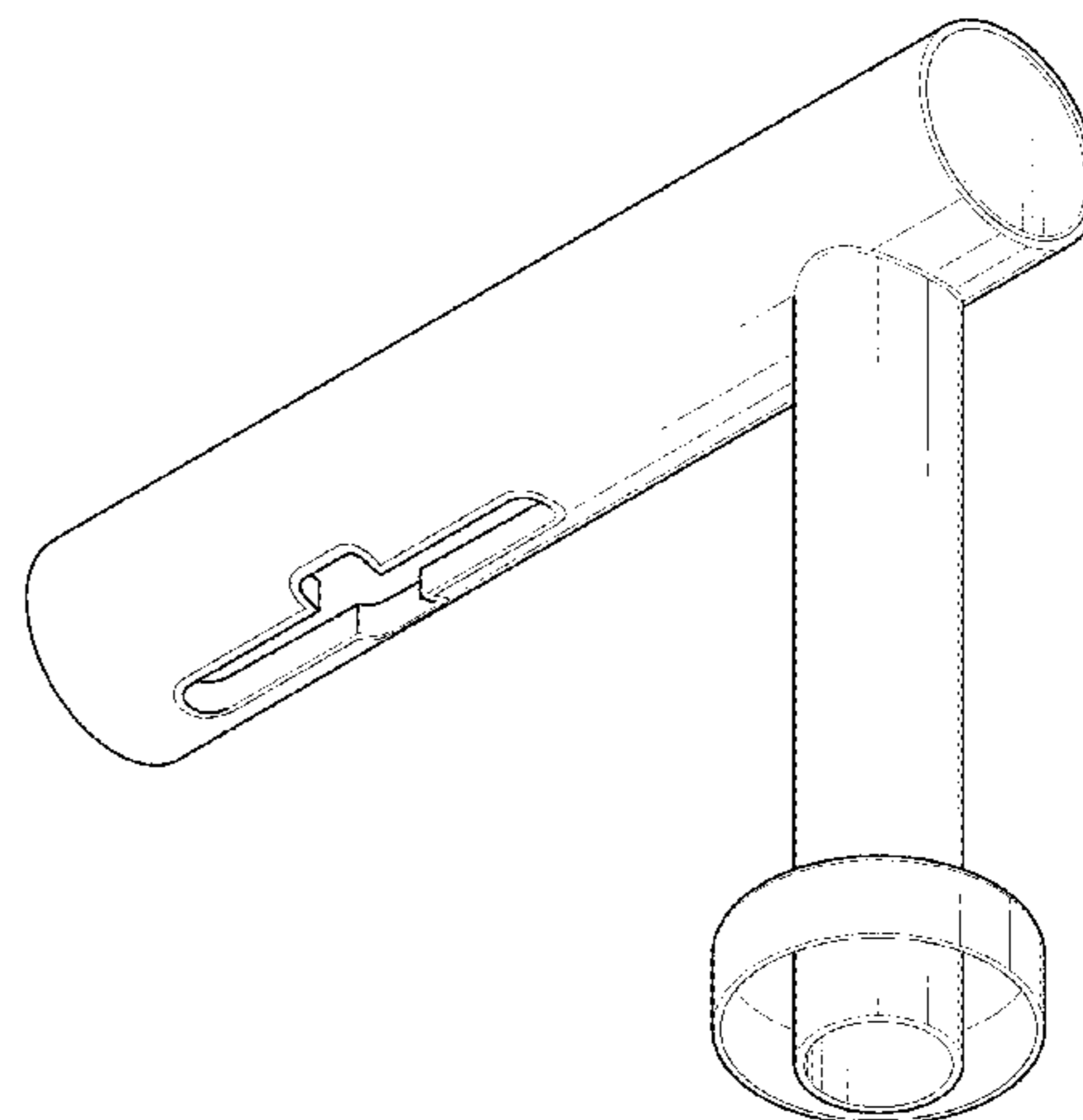
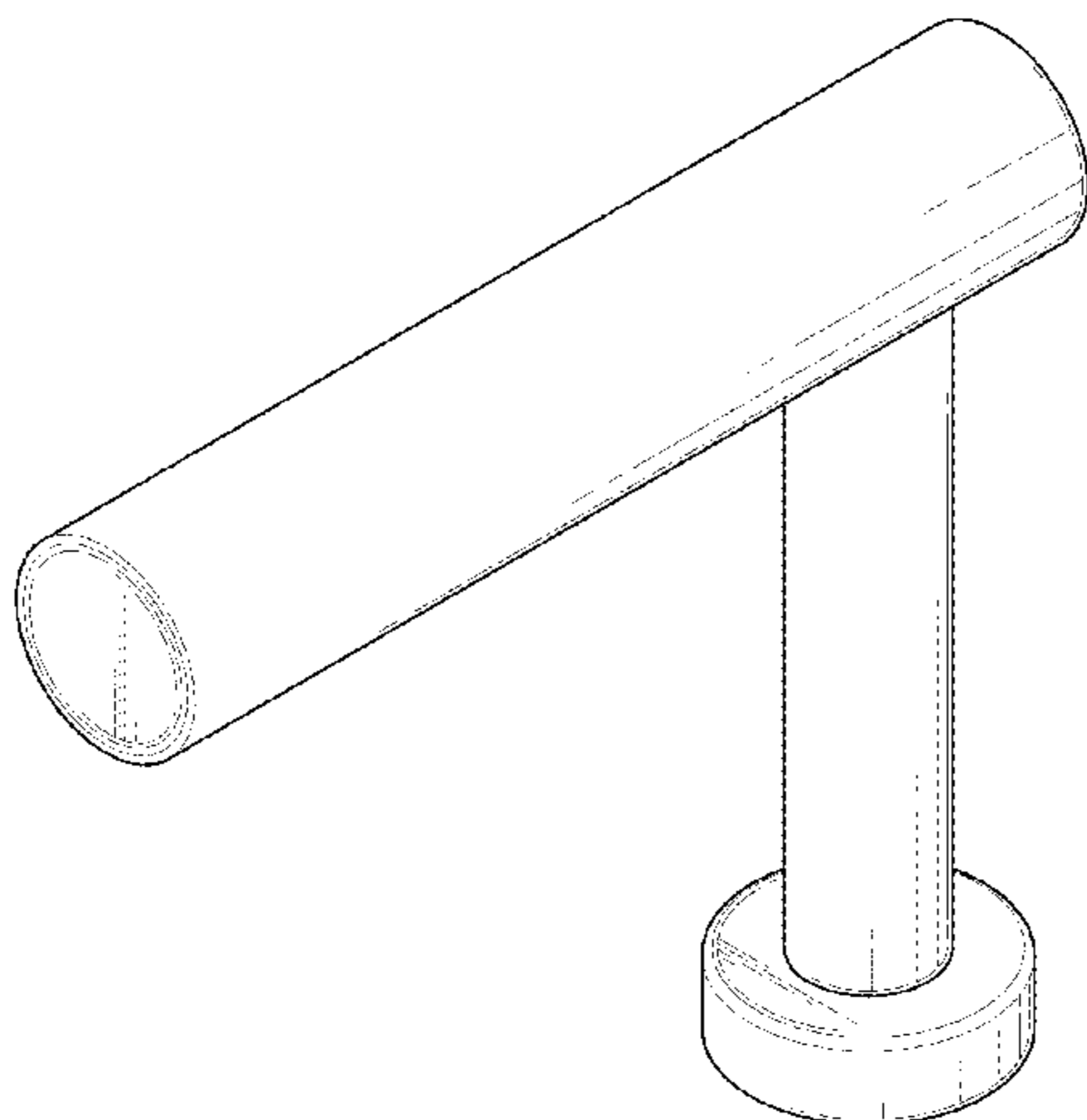
(57) **CLAIM**

The ornamental design for a hand dryer, as shown and described.

DESCRIPTION

FIG. 1 is a perspective view of the hand dryer showing the new design;
FIG. 2 is a front elevational view thereof;
FIG. 3 is a rear side elevational view thereof;
FIG. 4 is a left side elevational view thereof;
FIG. 5 is a right side elevational view thereof;
FIG. 6 is a top plan view thereof;
FIG. 7 is a bottom plan view thereof;
FIG. 8 is another perspective view thereof; and,
FIG. 9 is another perspective view thereof.
The broken lines show environment and form no part of the claimed design.

1 Claim, 7 Drawing Sheets



(56)

References Cited

U.S. PATENT DOCUMENTS

D791,407 S * 7/2017 Smith D28/13

OTHER PUBLICATIONS

“Eco Tap washing station,” [online], posted Jan. 24, 2017, retrieved Sep. 5, 2017, retrieved from <https://www.youtube.com/watch?v=wA8z_ACE7Ck>.*

“EcoTap” [online], posted Jan. 2017, retrieved Sep. 5, 2017, retrieved from <<https://www.hokwang.com/product/High%20Speed%20Hand%20Dryer/EcoTap>>.*

“Again faster competition barbell,” [online], posted Dec. 28, 2016, retrieved Sep. 7, 2017, retrieved from <<https://www.againfaster.com/Competition-Barbells>>.*

* cited by examiner

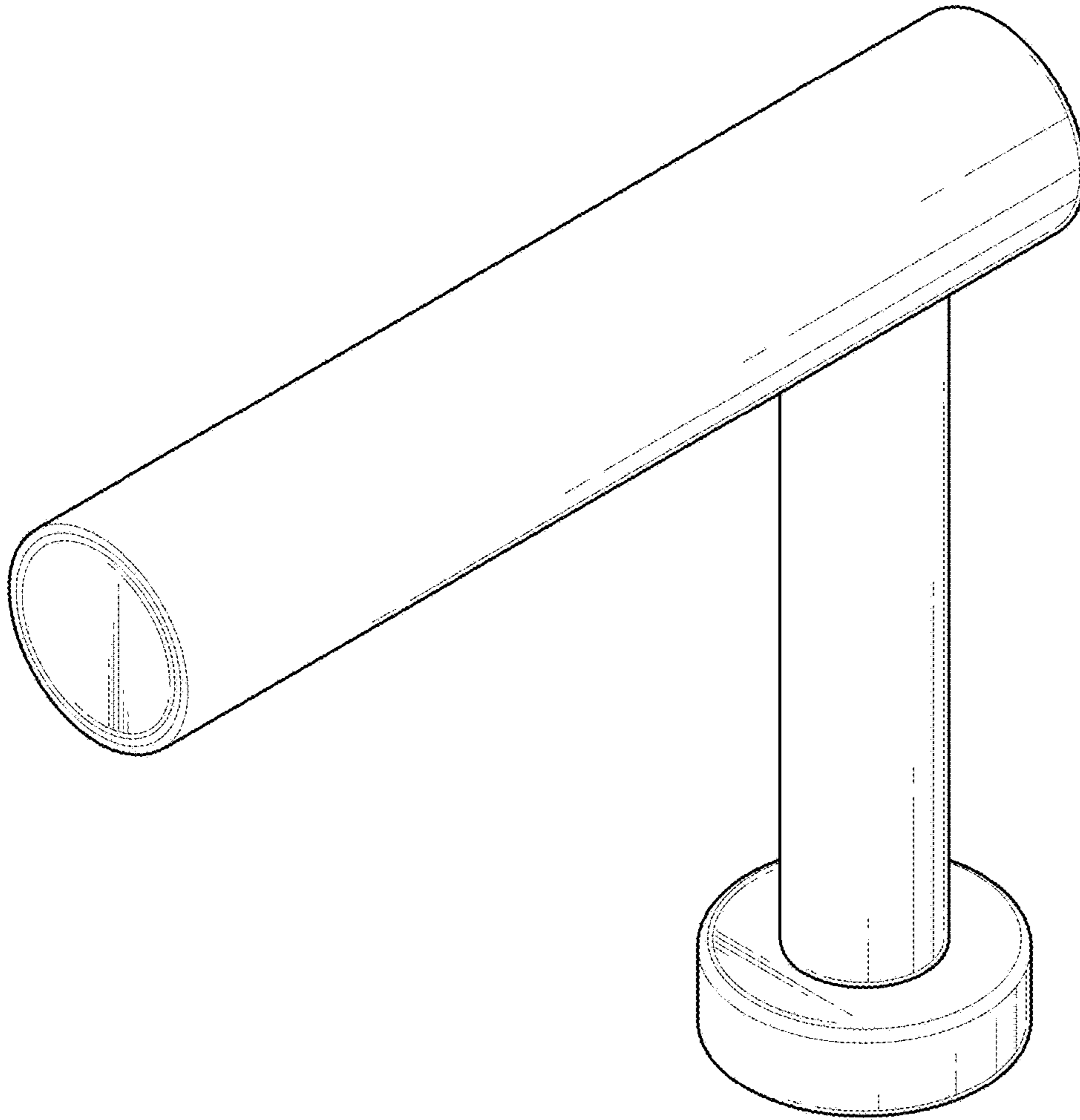


Fig. 1

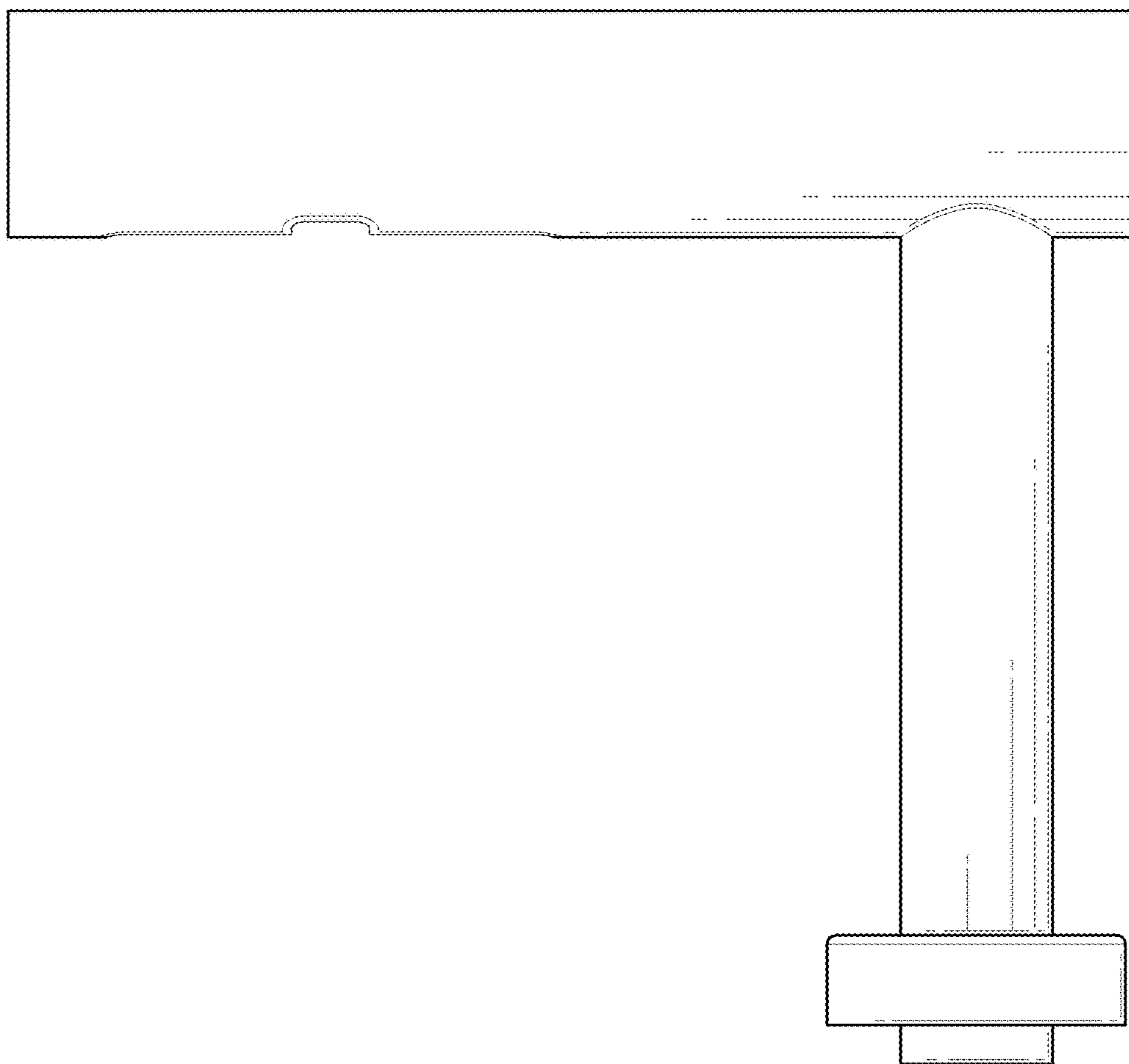


Fig. 2

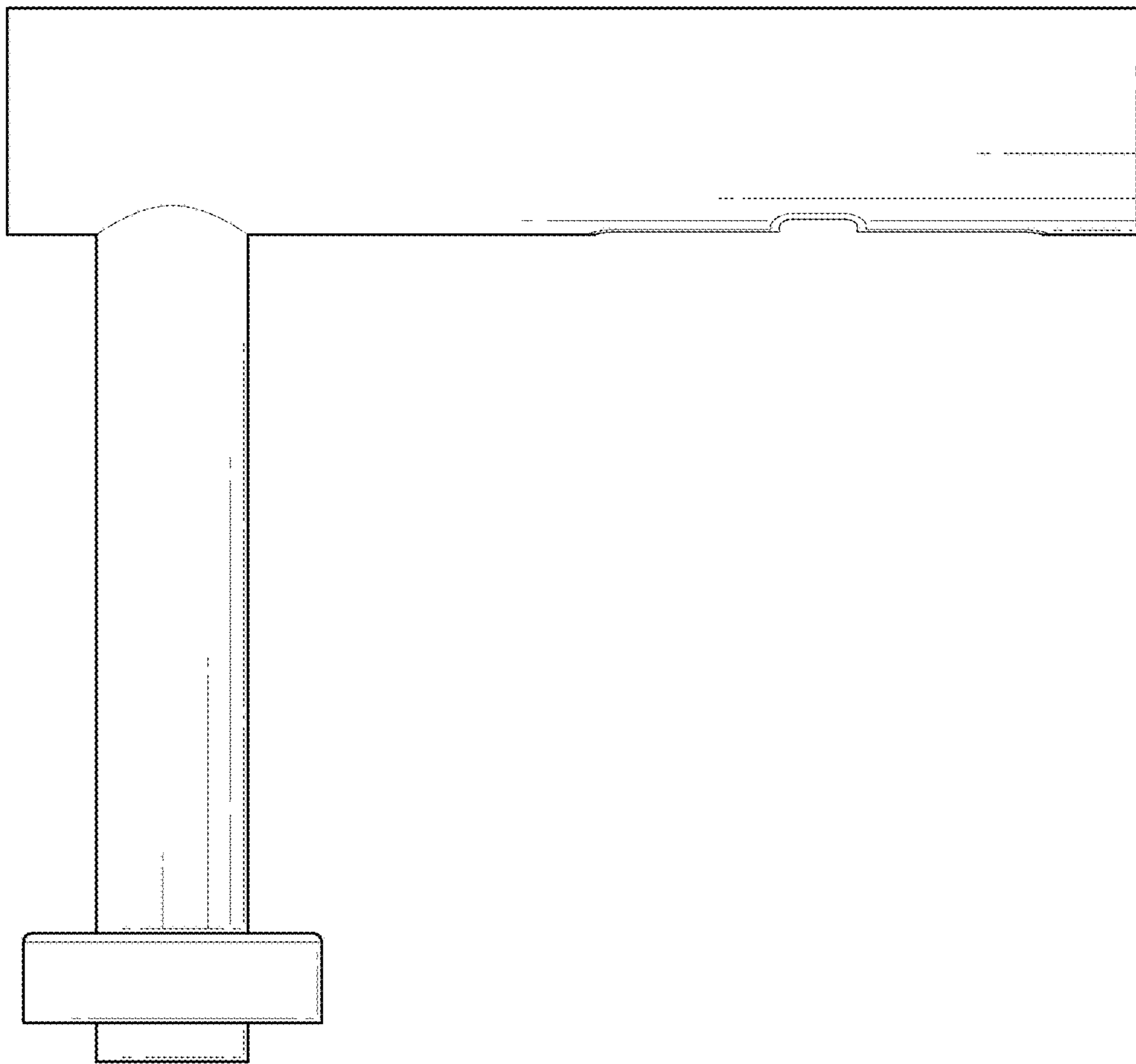


Fig. 3

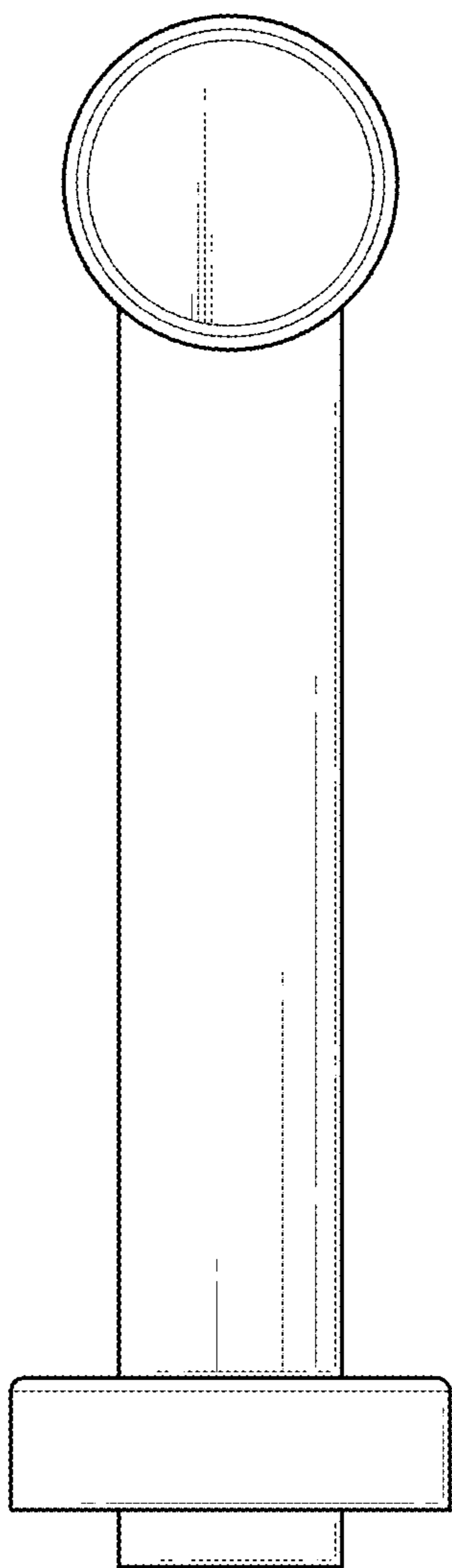


Fig. 4

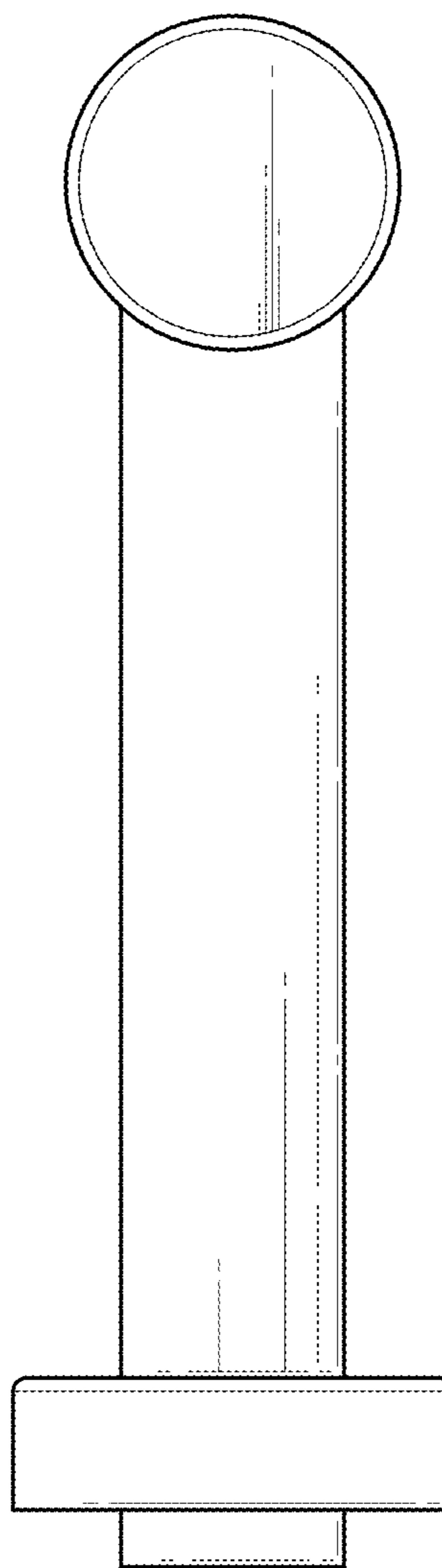


Fig. 5

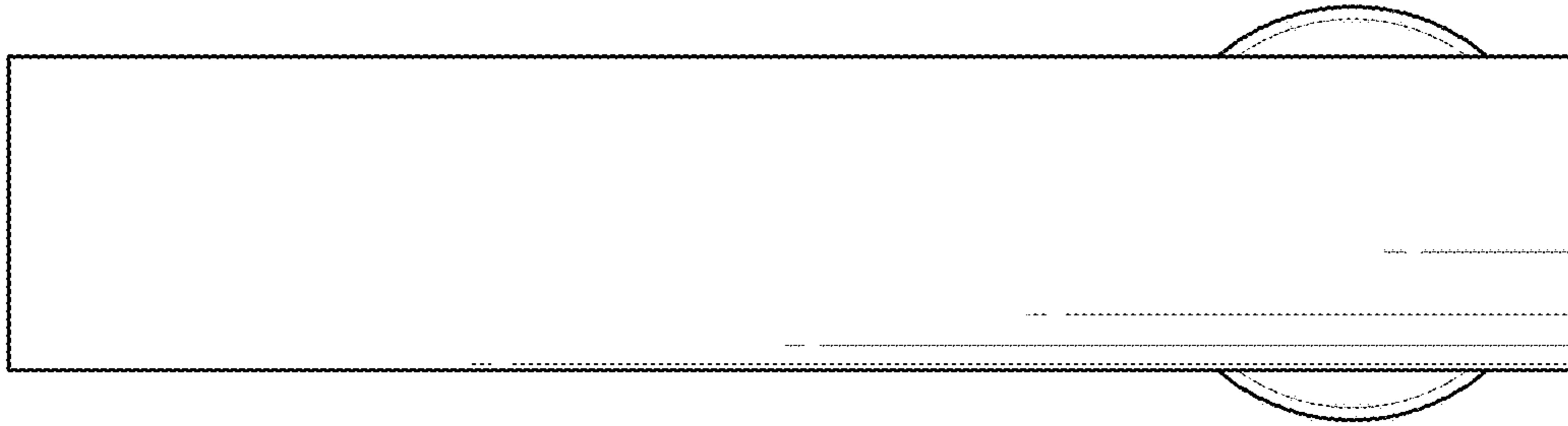


Fig. 6

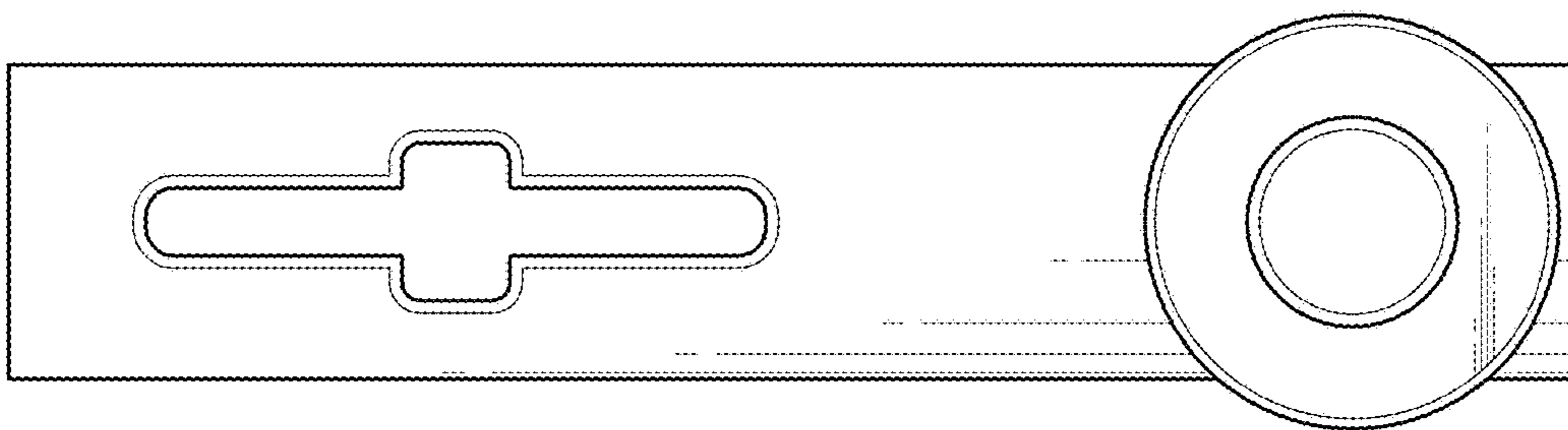


Fig. 7

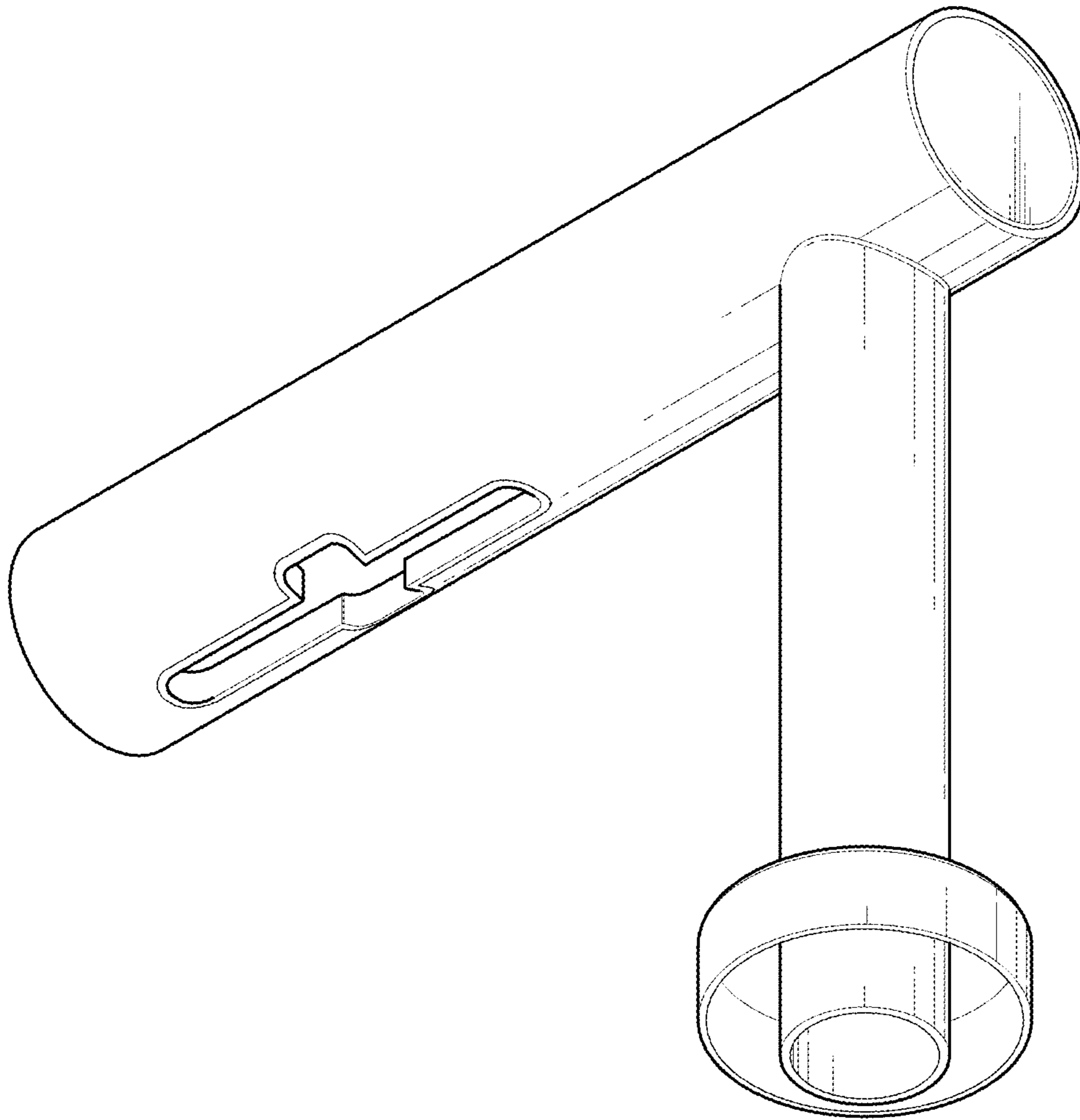


Fig. 8

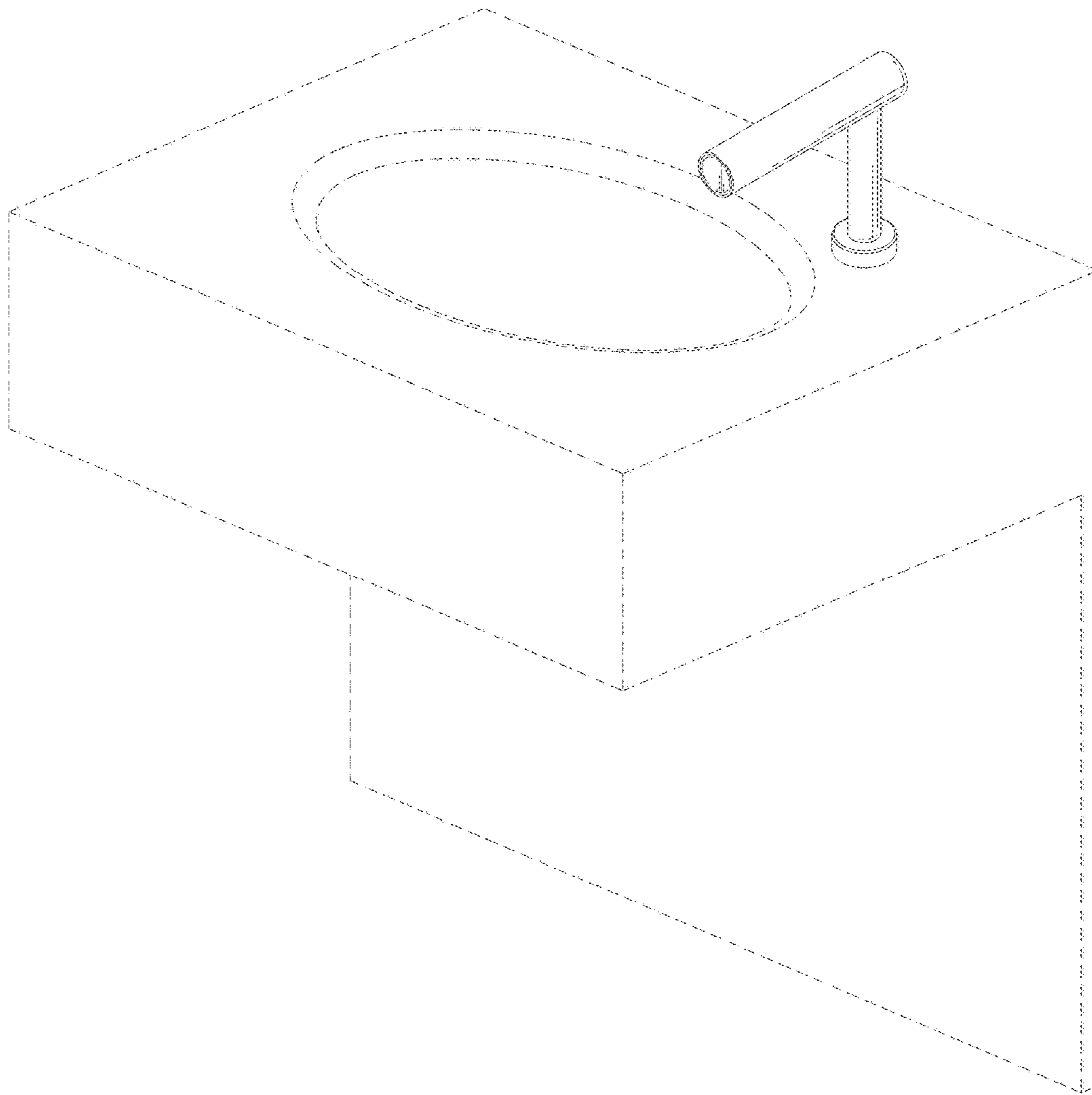


Fig. 9