



US00D830631S

(12) **United States Design Patent** (10) **Patent No.:** **US D830,631 S**
Cooper et al. (45) **Date of Patent:** **** Oct. 9, 2018**

- (54) **HAIR STYLING TOOL HOLDER**
- (71) Applicant: **Polder Products, LLC**, Oxford, CT (US)
- (72) Inventors: **Kerry Cooper**, Pleasantville, NY (US); **Luke Johnson**, Huntington, CT (US)
- (73) Assignee: **Polder Products, LLC**, Oxford, CT (US)

- D315,269 S * 3/1991 Brazis D6/551
- 5,141,189 A 8/1992 Andrew
- D329,304 S * 9/1992 Tipp D28/38
- 5,203,456 A 4/1993 Boswell
- D348,542 S 7/1994 Cannella
- D350,230 S 9/1994 O'Brien
- D371,220 S * 6/1996 Behrens D19/77
- D374,312 S 10/1996 Edgar
- 5,562,209 A 10/1996 Jackson et al.
- 5,577,607 A 11/1996 Drake et al.

(Continued)

(**) Term: **15 Years**

OTHER PUBLICATIONS

(21) Appl. No.: **29/582,835**

2-in-1 Hot Sleeve, Polder, published at polder.com, date and author not listed © 2018 Polder Products, LLC, online, site visited Feb. 9, 2018. Available from Internet, URL: <https://www.polder.com/personal-care/2-in-1-hot-sleeve-grey> (Year: 2018).*

(22) Filed: **Oct. 31, 2016**

(51) **LOC (11) Cl.** **28-03**

(52) **U.S. Cl.**
USPC **D28/38**

(58) **Field of Classification Search**
USPC D28/38, 61, 73, 99; D6/525-526, 535, D6/542, 551; D3/205; D8/349; 206/349, 361; 248/117.1-117.3, 308, 248/311.2

CPC A45D 2001/002; A47F 5/0876; B65D 43/161; B65D 43/162; B65D 43/164

See application file for complete search history.

Primary Examiner — Shannon W Morgan
Assistant Examiner — Altaira J Swangin

(74) *Attorney, Agent, or Firm* — Duane Morris LLP

(57) **CLAIM**

The ornamental design for a hair styling tool holder, as shown and described in the Figures.

DESCRIPTION

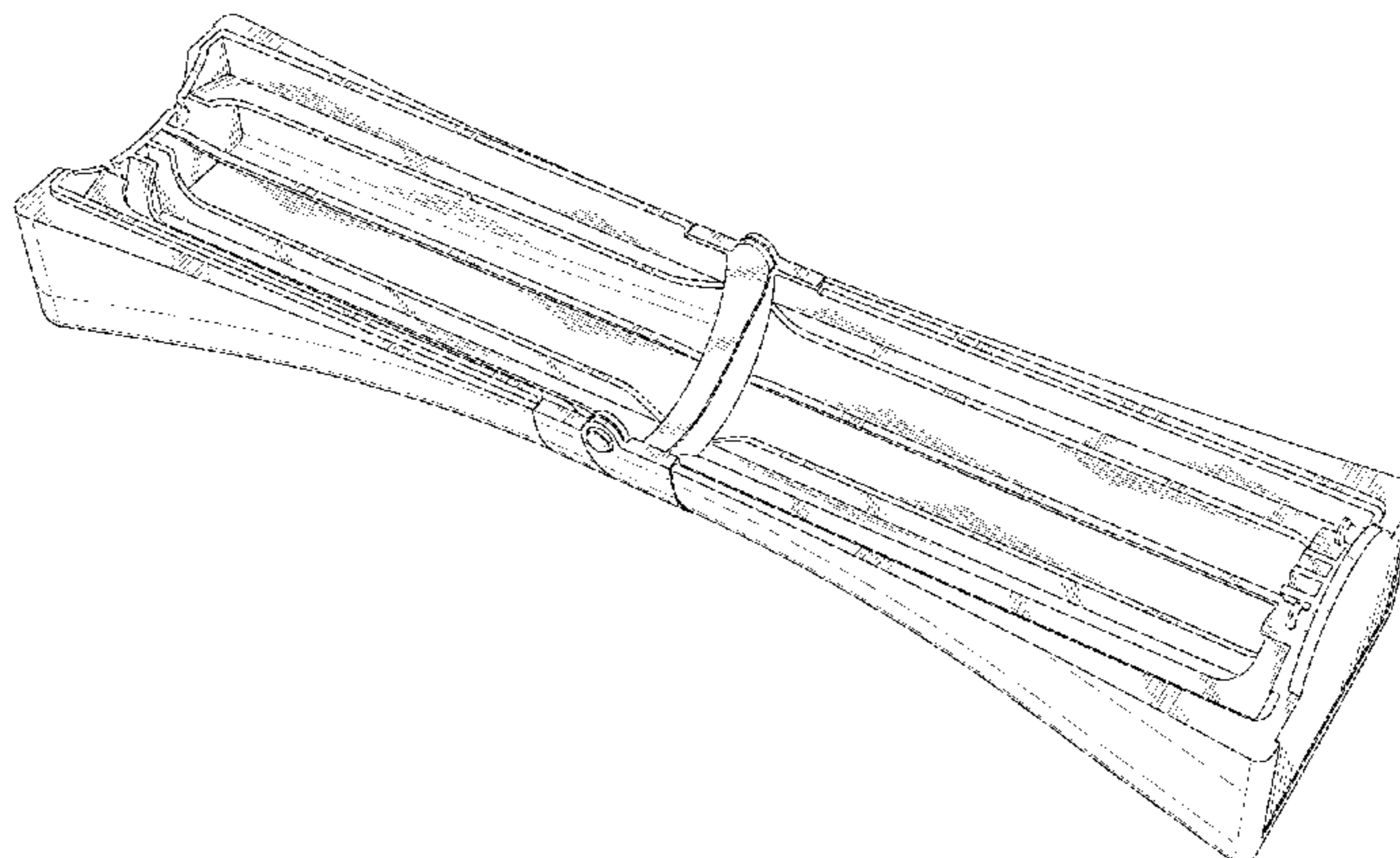
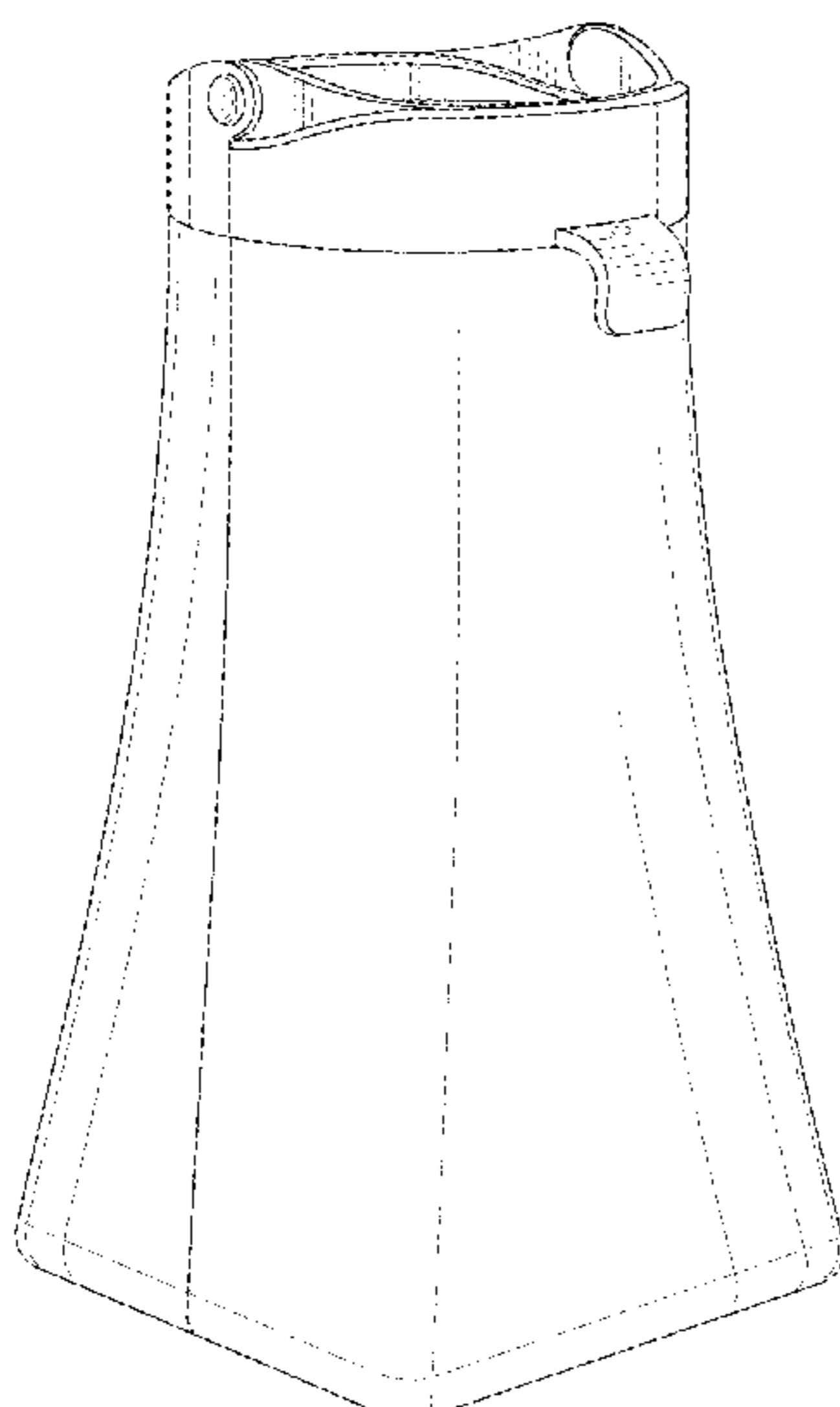
FIG. 1 is an isometric view of the hair styling tool holder; FIG. 2 is a front side view of the hair styling tool holder; FIG. 3 is a rear side view of the hair styling tool holder; FIG. 4 is a side view of the hair styling tool holder; FIG. 5 is a side view opposite the view of FIG. 4 of the hair styling tool holder; FIG. 6 is a top side view of the hair styling tool holder; FIG. 7 is a bottom side view of the hair styling tool holder; and, FIG. 8 is a perspective view of the hair styling tool holder. The broken lines illustrate portions of the hair styling tool holder which form no part of the claimed design.

1 Claim, 8 Drawing Sheets

(56) **References Cited**

U.S. PATENT DOCUMENTS

- D233,196 S * 10/1974 Fry D6/551
- D236,175 S * 8/1975 Wintz D6/535
- D242,953 S * 1/1977 Bluestein D28/38
- D244,722 S * 6/1977 Bluestein D28/38
- D244,724 S * 6/1977 Bluestein D28/35
- D261,317 S 10/1981 Oberheim et al.
- D261,319 S * 10/1981 Oberheim D28/18
- 4,308,878 A 1/1982 Silva
- 4,446,972 A 5/1984 Sussman
- D287,203 S 12/1986 Jenkins et al.
- D300,065 S 2/1989 Zaborowski et al.
- D313,089 S 12/1990 Schuler



(56)

References Cited

U.S. PATENT DOCUMENTS

D385,705	S *	11/1997	Seifert	D28/38
5,743,415	A	4/1998	Smart	
5,924,566	A *	7/1999	Gibbs	B65D 43/163 206/15.3
6,068,122	A	5/2000	Burns et al.	
6,703,587	B2	3/2004	Sena et al.	
6,808,066	B2	10/2004	Bean	
6,820,755	B1	11/2004	Ranjit	
D508,146	S	8/2005	LeBlanc	
D540,981	S	4/2007	Rosdal	
7,337,902	B2	3/2008	Rosdal	
D584,856	S	1/2009	Kirschenmann	
D584,857	S	1/2009	Kirschenmann	
D608,054	S	1/2010	Radfar	
D655,545	S *	3/2012	Bowler	D3/205
D670,865	S	11/2012	Cooper et al.	
D676,697	S *	2/2013	Chopdat	D6/542
8,430,241	B1	4/2013	Balogh	
D682,469	S	5/2013	Balogh	
D690,131	S *	9/2013	Clough	D6/542
D711,043	S	8/2014	Cooper	
8,960,428	B2 *	2/2015	Hasegawa	G02B 6/25 206/349
9,027,749	B2 *	5/2015	Hill	A47K 10/185 206/233
D732,291	S *	6/2015	Hsieh	D3/284
2005/0161353	A1	7/2005	Devine	
2007/0017837	A1 *	1/2007	McCambridge	A45D 44/02 206/373
2009/0065661	A1	3/2009	Burk	
2013/0075301	A1 *	3/2013	McLaughlin	A45D 40/00 206/581

* cited by examiner

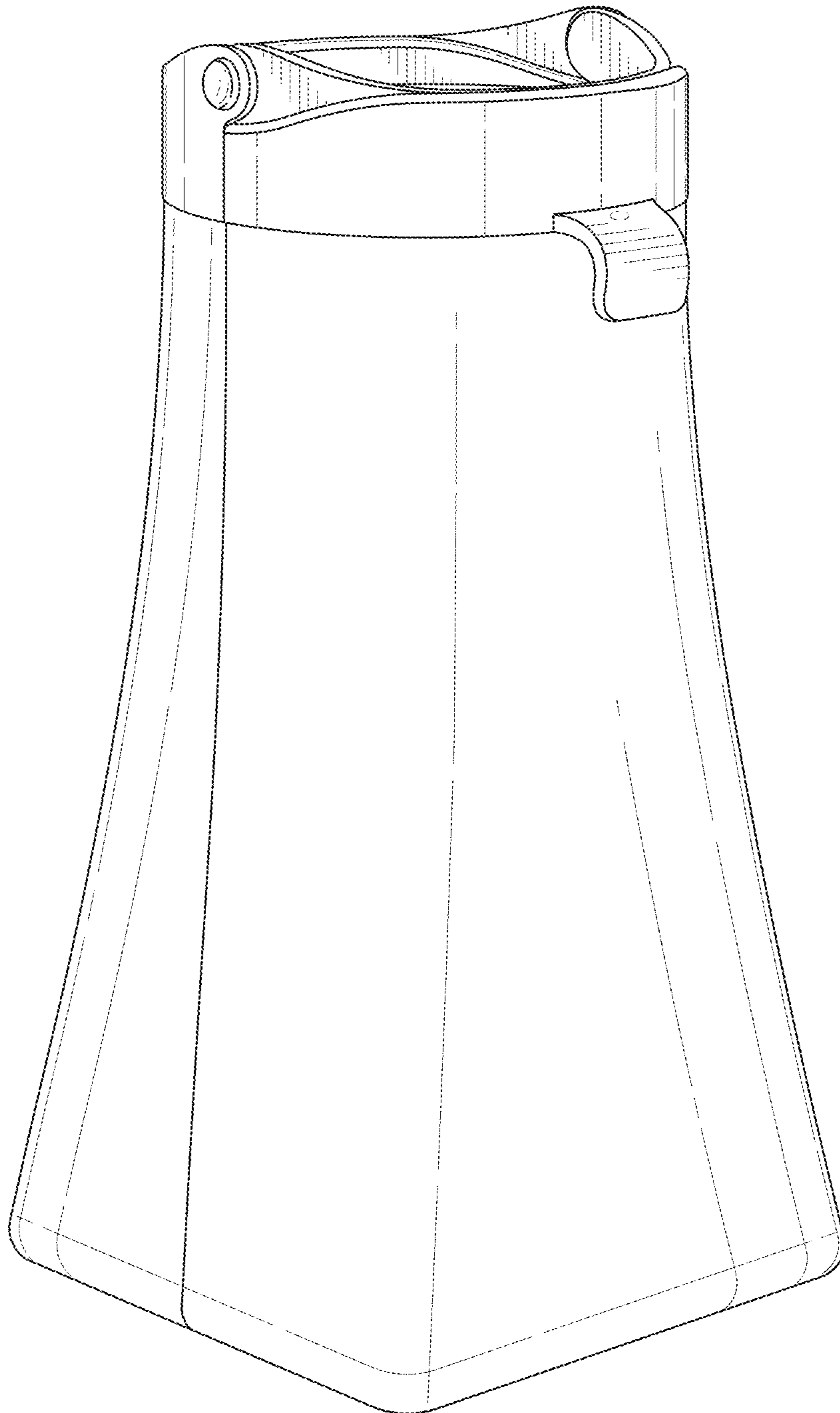


FIG. 1

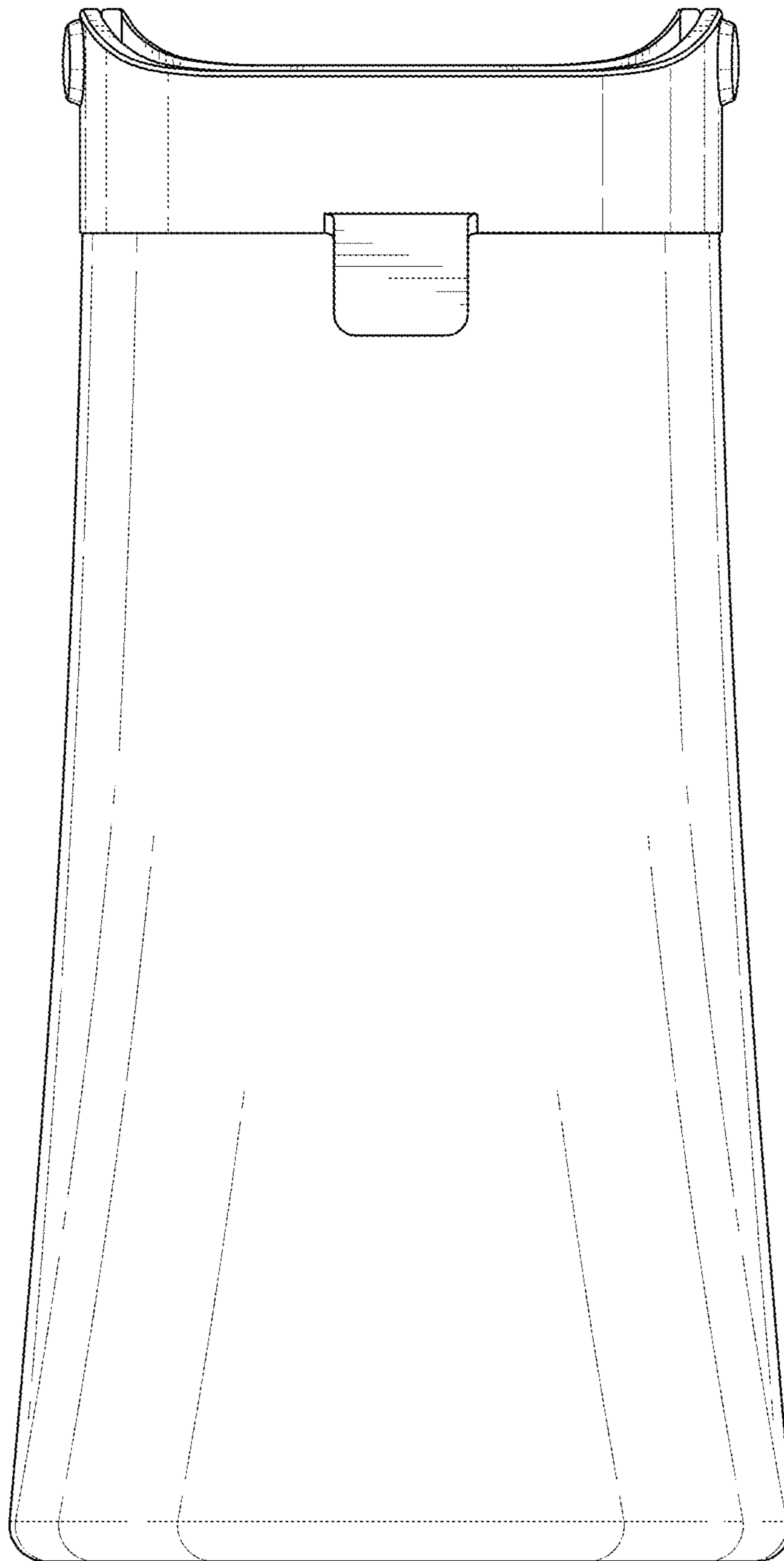


FIG. 2

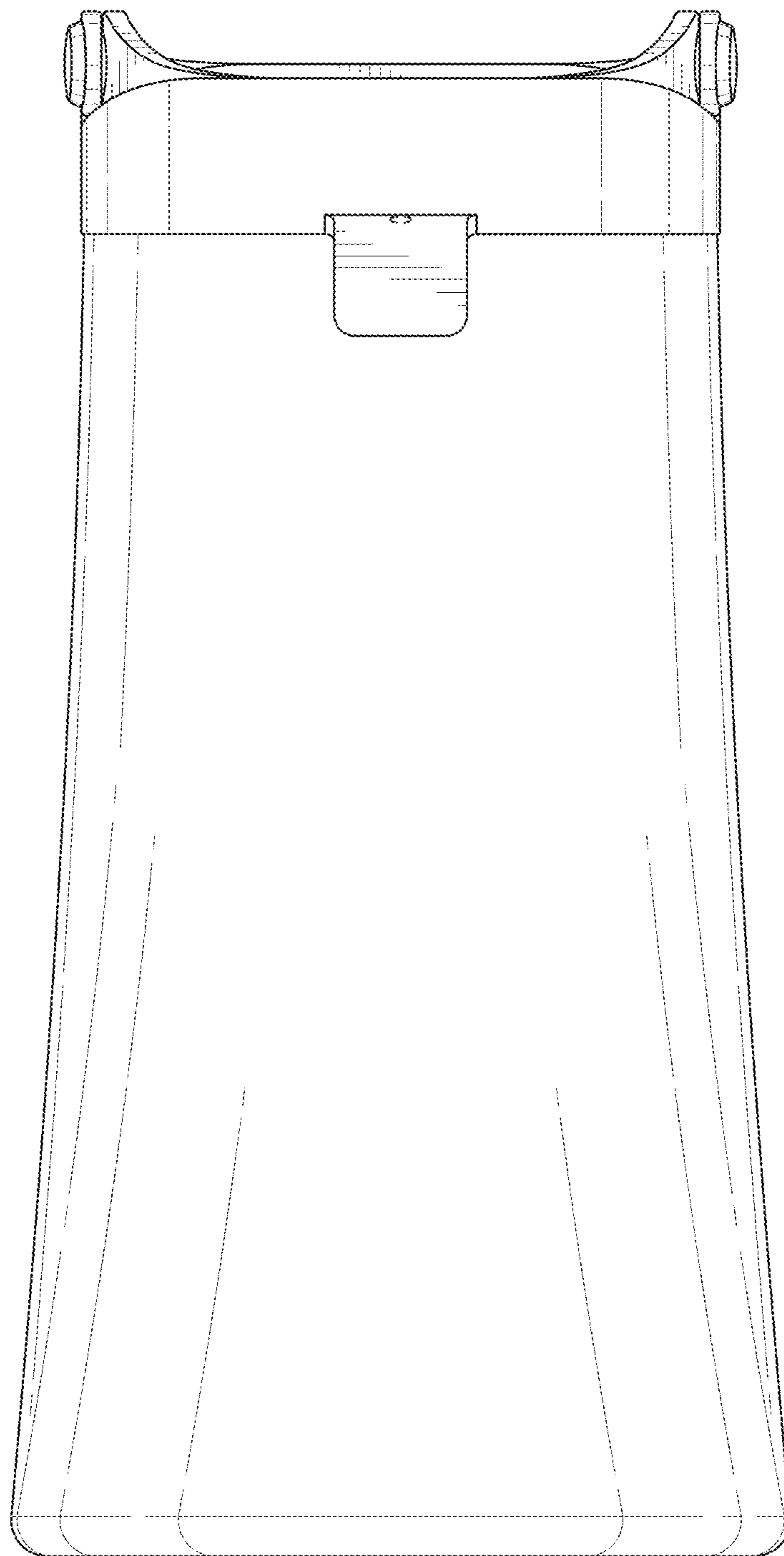


FIG. 3

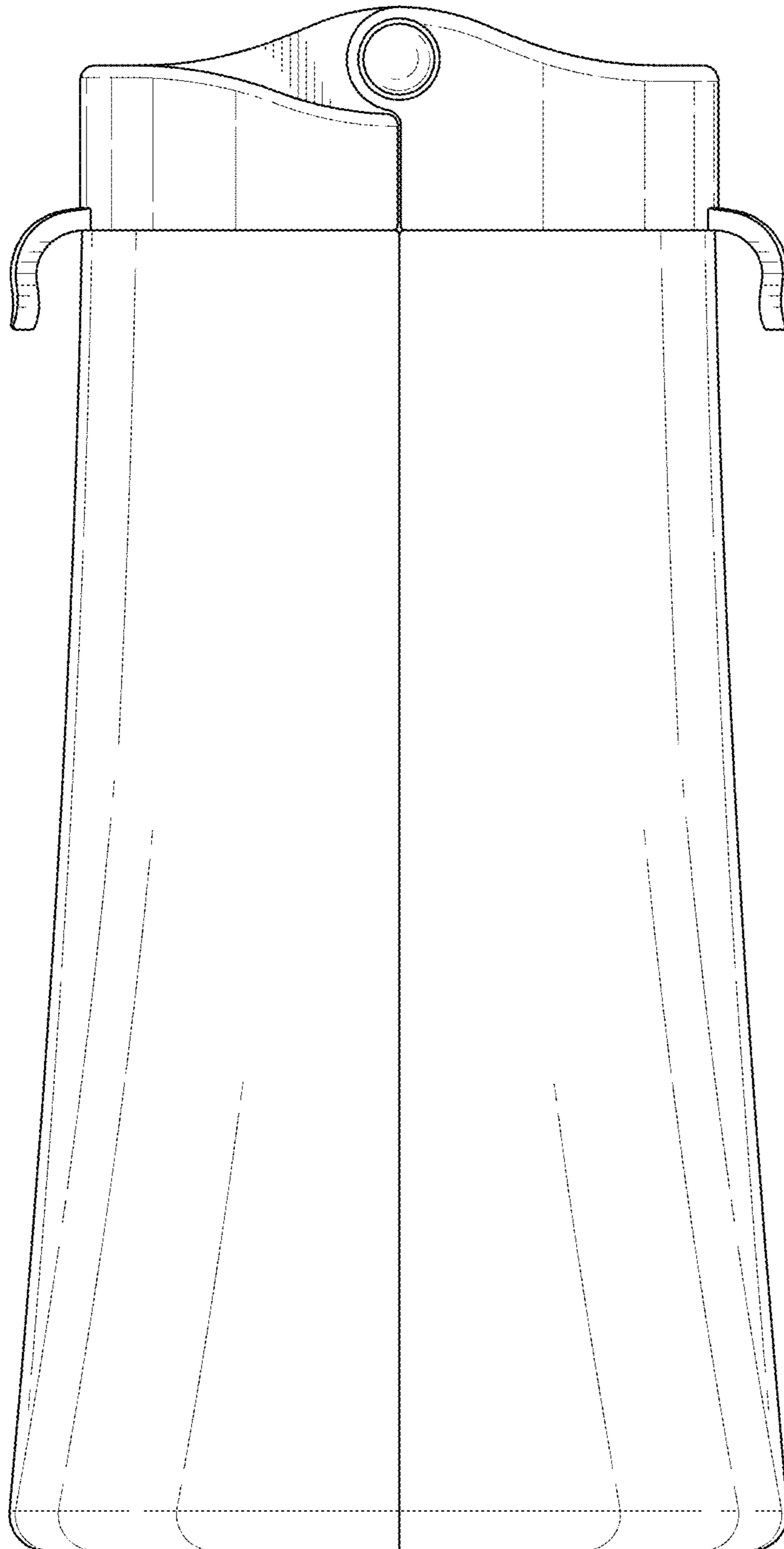


FIG. 4

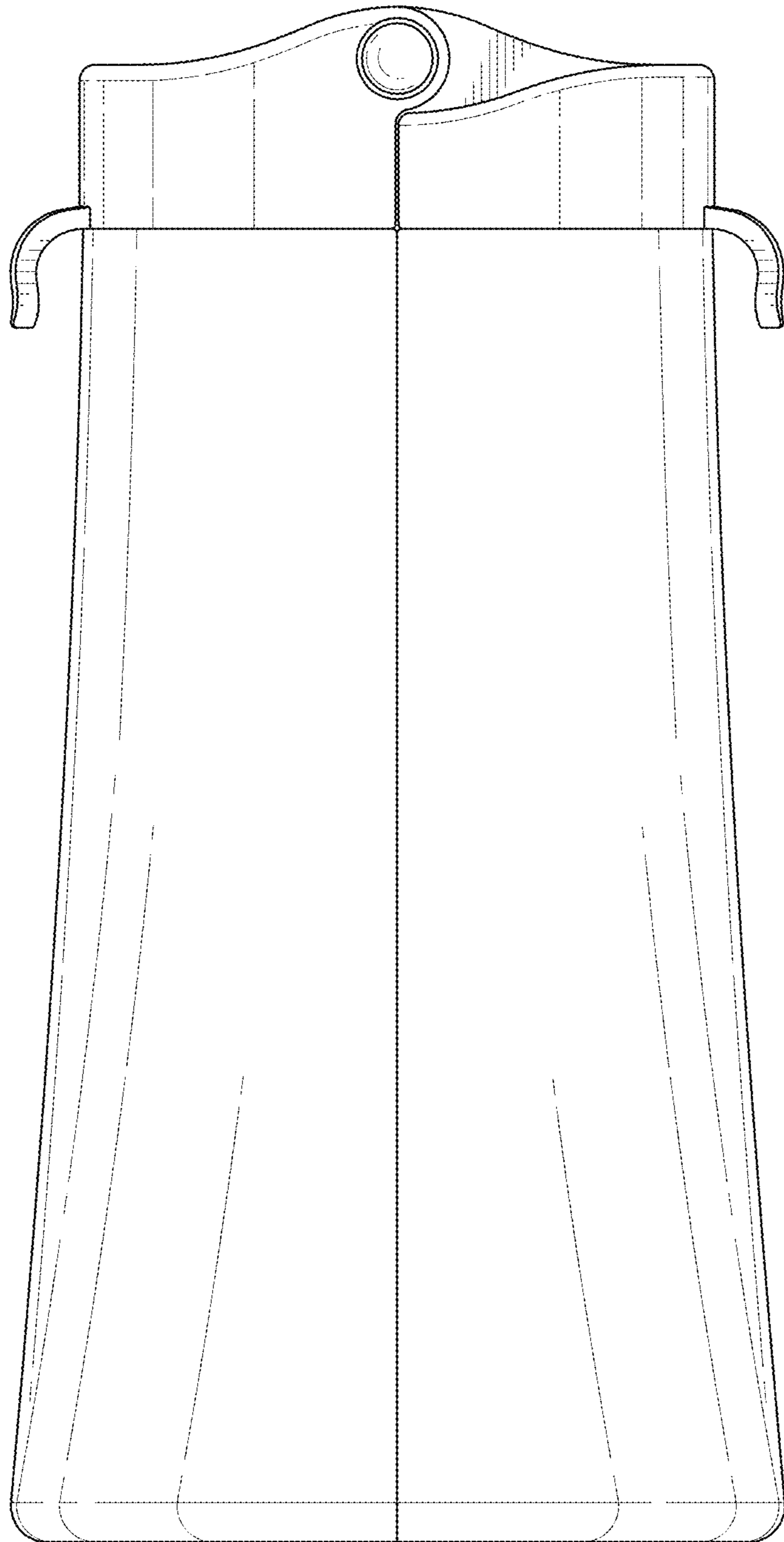


FIG. 5

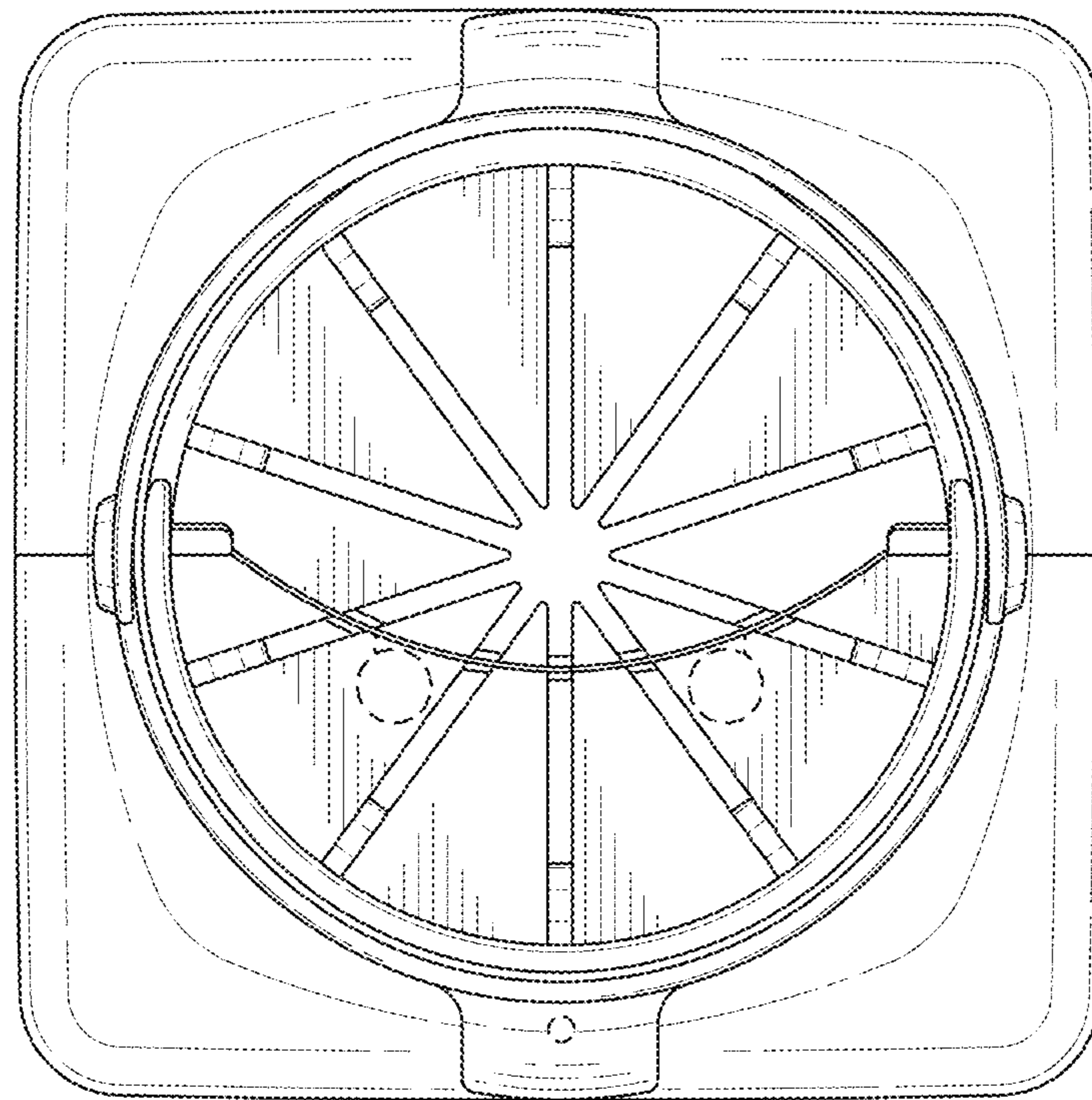


FIG. 6

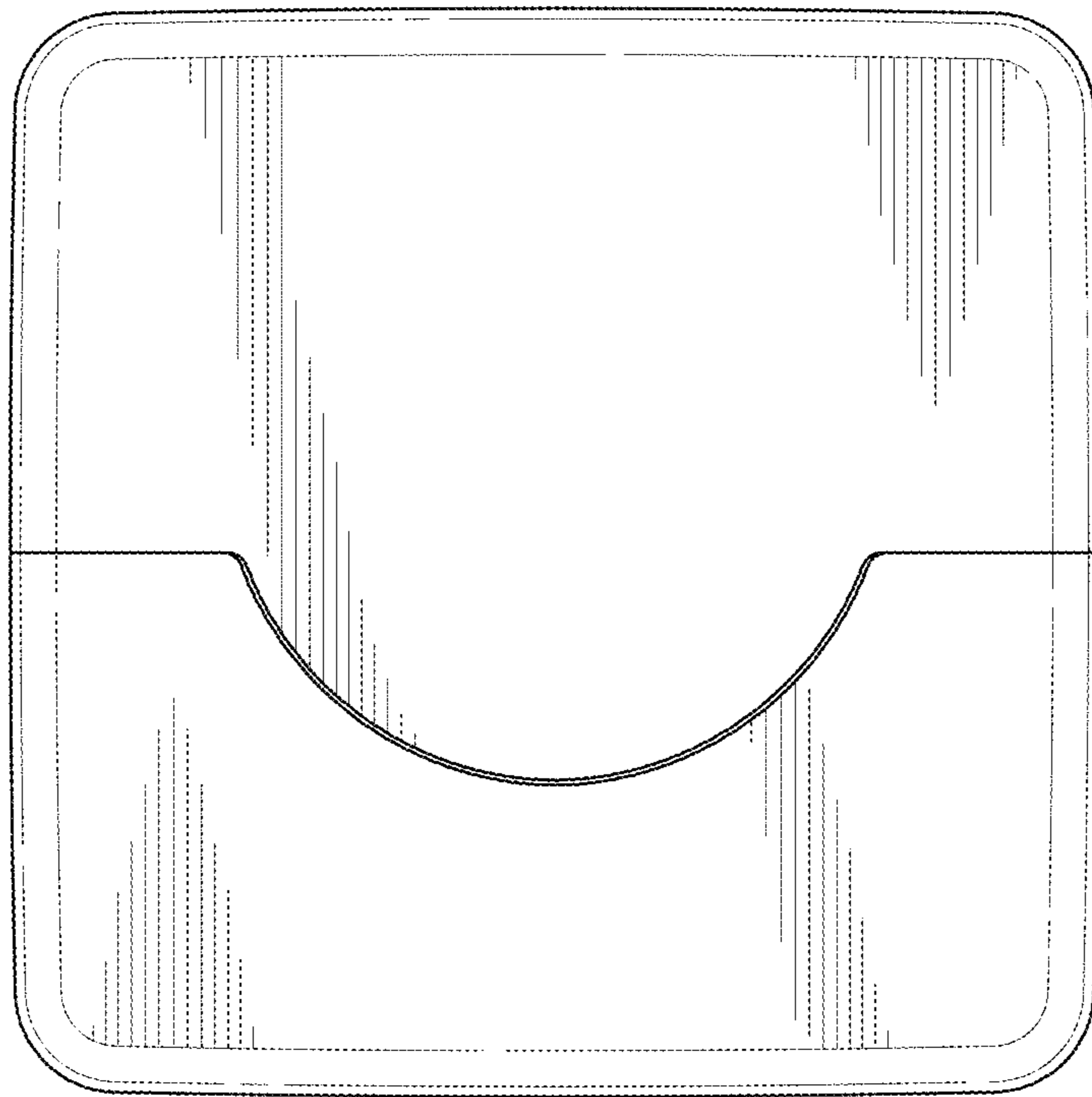


FIG. 7

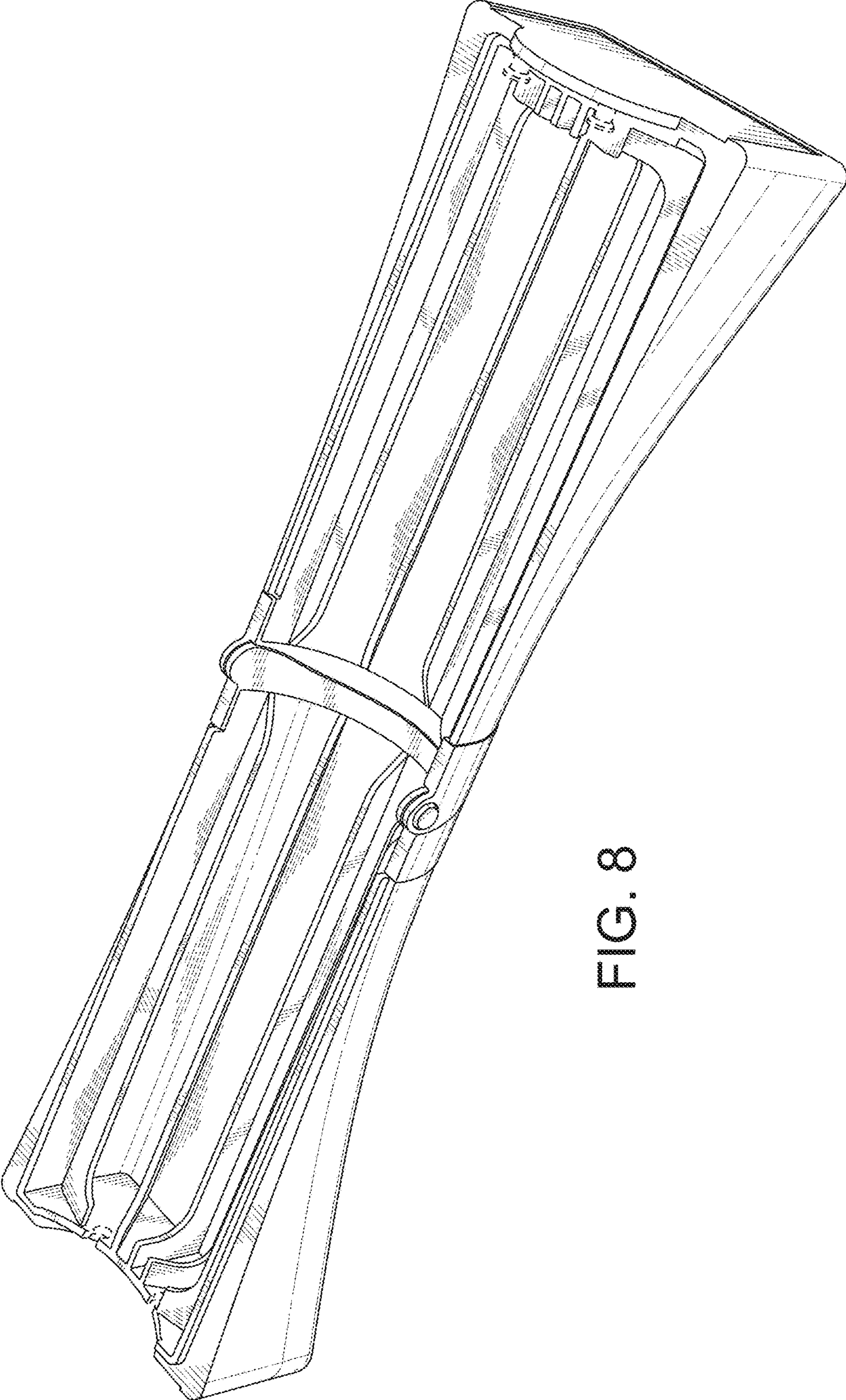


FIG. 8