

US00D830629S

(12) **United States Design Patent** (10) **Patent No.:** **US D830,629 S**  
**Smith, Jr. et al.** (45) **Date of Patent:** **\*\* Oct. 9, 2018**

(54) **BAR OF SOAP**

(71) Applicants: **William H. Smith, Jr.**, Holly Springs, MS (US); **Ellis S. Ausburn**, Falkner, MS (US)

(72) Inventors: **William H. Smith, Jr.**, Holly Springs, MS (US); **Ellis S. Ausburn**, Falkner, MS (US)

(73) Assignee: **KIK CUSTOM PRODUCTS INC.**, Concord (CA)

(\*\*) Term: **15 Years**

(21) Appl. No.: **29/553,280**

(22) Filed: **Jan. 29, 2016**

(51) **LOC (11) Cl.** ..... **28-02**

(52) **U.S. Cl.**  
USPC ..... **D28/8.1**

(58) **Field of Classification Search**  
USPC ..... D28/8.1–8.2; 510/143–144  
(Continued)

(56) **References Cited**

**U.S. PATENT DOCUMENTS**

164,606 A \* 6/1875 Strunz ..... C11D 17/048  
40/635  
196,766 A \* 11/1877 Quentin ..... C11D 17/048  
510/144

(Continued)

**FOREIGN PATENT DOCUMENTS**

DE 29618136 U1 \* 12/1996 ..... C11D 13/14

**OTHER PUBLICATIONS**

Amazon.com: BigMouth Inc. Generic Weener Kleener Soap: Toys & Games, <http://www.amazon.com/BigMouth-Inc-Generic-Weener-Kleener/dp/B000SPHPWI>, 5 pages.

(Continued)

*Primary Examiner* — Jennifer A Rivard

(74) *Attorney, Agent, or Firm* — Merchant & Gould P.C.

(57) **CLAIM**

The ornamental design for a bar of soap, as shown and described.

**DESCRIPTION**

FIG. 1 is a front top perspective view of a bar of soap with three circular-shaped apertures extending there through, according to an example embodiment of the present disclosure.

FIG. 2 is a front view of the bar of soap illustrated in FIG. 1.

FIG. 3 is a rear view of the bar of soap illustrated in FIG. 1, showing that the front view is a mirror image of the back view.

FIG. 4 is a left side view of the bar of soap illustrated in FIG. 1.

FIG. 5 is a right side view of the bar of soap illustrated in FIG. 1, showing that the left side view is a mirror image of the right side view.

FIG. 6 is a top view of the bar of soap illustrated in FIG. 1; FIG. 7 is a bottom view of the bar of soap illustrated in FIG. 1, showing that the top view is a mirror image of the bottom view.

FIG. 8 is a front top perspective cross-sectional view of the bar of soap illustrated in FIG. 1, showing the three circular-shaped apertures extending from the front to the back.

FIG. 9 is a front view of the second embodiment of the bar of soap, with four circular-shaped apertures extending there through.

FIG. 10 is a front view of the third embodiment of the bar of soap, with five circular-shaped apertures extending there through.

FIG. 11 is a front view of the fourth embodiment of the bar of soap, with three oval-shaped apertures extending there through. The top, bottom, and side views being identical to the first embodiment.

FIG. 12 is a cross sectional view of the fourth embodiment of the bar of soap, with three oval-shaped apertures extending there through.

(Continued)

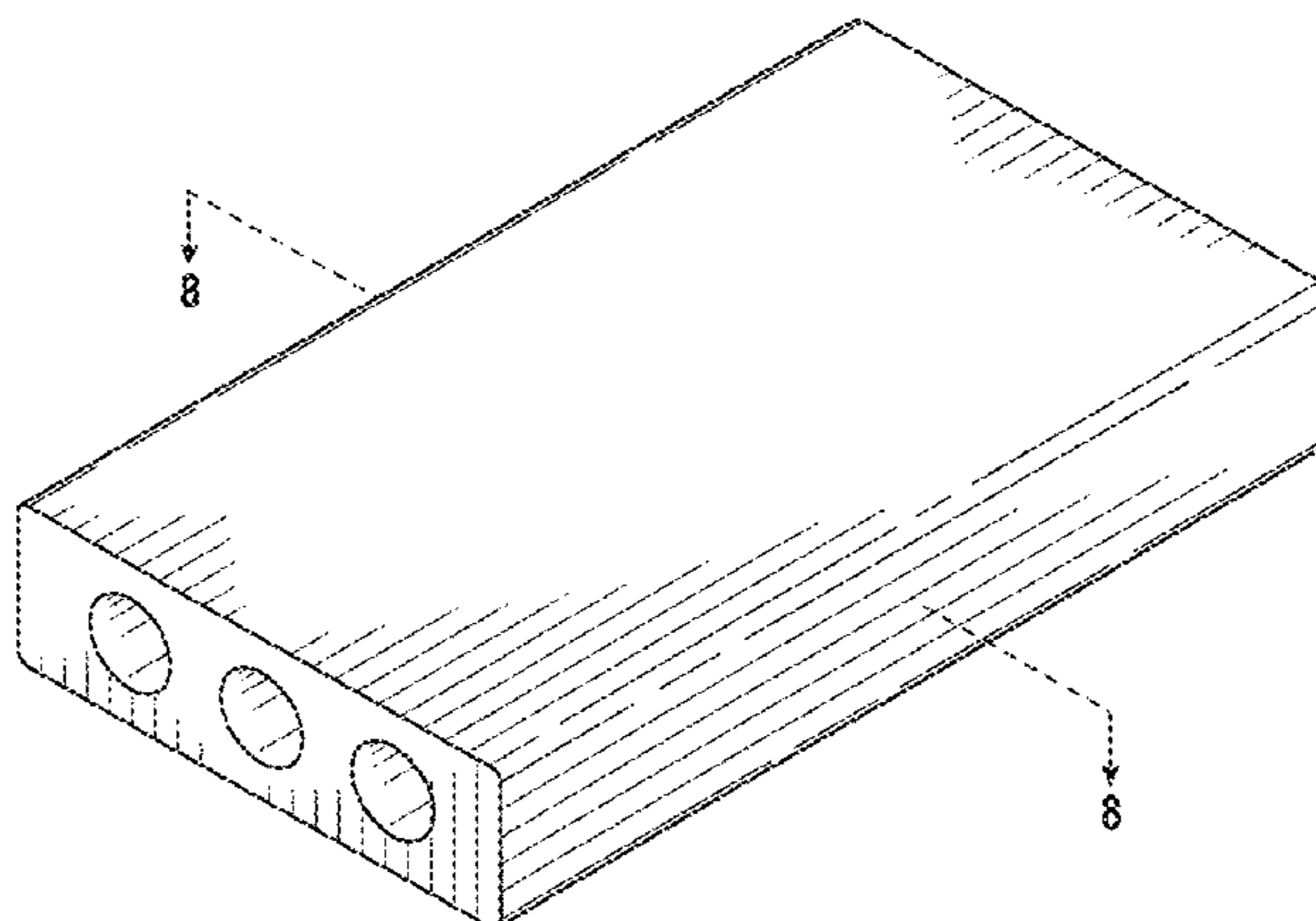


FIG. 13 is a front view of the fifth embodiment of the bar of soap, with four oval-shaped apertures extending there through; and,

FIG. 14 is a front view of the sixth embodiment of the bar of soap, with five oval-shaped apertures extending there through.

**1 Claim, 7 Drawing Sheets**

(58) **Field of Classification Search**

CPC . C11D 17/0047–17/0095; C11D 17/00; C11D 13/14–13/18; C11D 17/044; C11D 17/045; C11D 17/048

See application file for complete search history.

(56) **References Cited**

U.S. PATENT DOCUMENTS

235,730 A \* 12/1880 Bone ..... C11D 17/0069  
111/52  
393,928 A \* 12/1888 Samuel ..... C11D 17/048  
510/143  
549,687 A \* 11/1895 Samuel ..... C11D 17/048  
510/143  
555,663 A \* 3/1896 Samuel ..... C11D 17/048  
510/143  
692,481 A \* 2/1902 Robinson ..... C11D 13/18  
510/139

3,773,672 A \* 11/1973 Bredice ..... C11D 17/048  
401/125  
3,969,256 A \* 7/1976 Hadley ..... C11D 17/02  
510/144  
4,181,695 A \* 1/1980 Rickert ..... C11D 17/048  
264/148  
D298,066 S \* 10/1988 Bussell ..... D11/162  
6,644,833 B1 \* 11/2003 Fu ..... C11D 17/0095  
362/157  
2005/0133385 A1 \* 6/2005 Bahash ..... A47K 5/08  
206/77.1  
2005/0261149 A1 \* 11/2005 Mekus ..... C11D 17/048  
510/143  
2007/0132148 A1 \* 6/2007 Nakano ..... C11D 13/16  
264/328.2  
2014/0124391 A1 \* 5/2014 Spinnenweber ..... C11D 17/048  
206/216  
2015/0152368 A1 \* 6/2015 Murphy ..... C11D 17/04  
510/449

OTHER PUBLICATIONS

Harriet Baskas, Hotels Dispensing with Tiny Bathroom Amenities, <http://stuckattheairport.com/2010/05/28/hotels-dispensing-with-tiny-bathroom-amenities>, May 28, 2010, 4 pages.  
Susan Shaw, Are You Ready for Ergonomic Soap?—Humantech, <http://www.humantech.com/are-you-ready-for-ergonomic-soap/>, Oct. 16, 2012, 3 pages.  
Graham's Travel Blog, Holey Soap: When Hotels and Green Marketing Collide, <http://grahamstravelblog.blogspot.com/2009/02/holey-soap-when-hotels-and-green.html>, Feb. 18, 2009, 9 pages.

\* cited by examiner

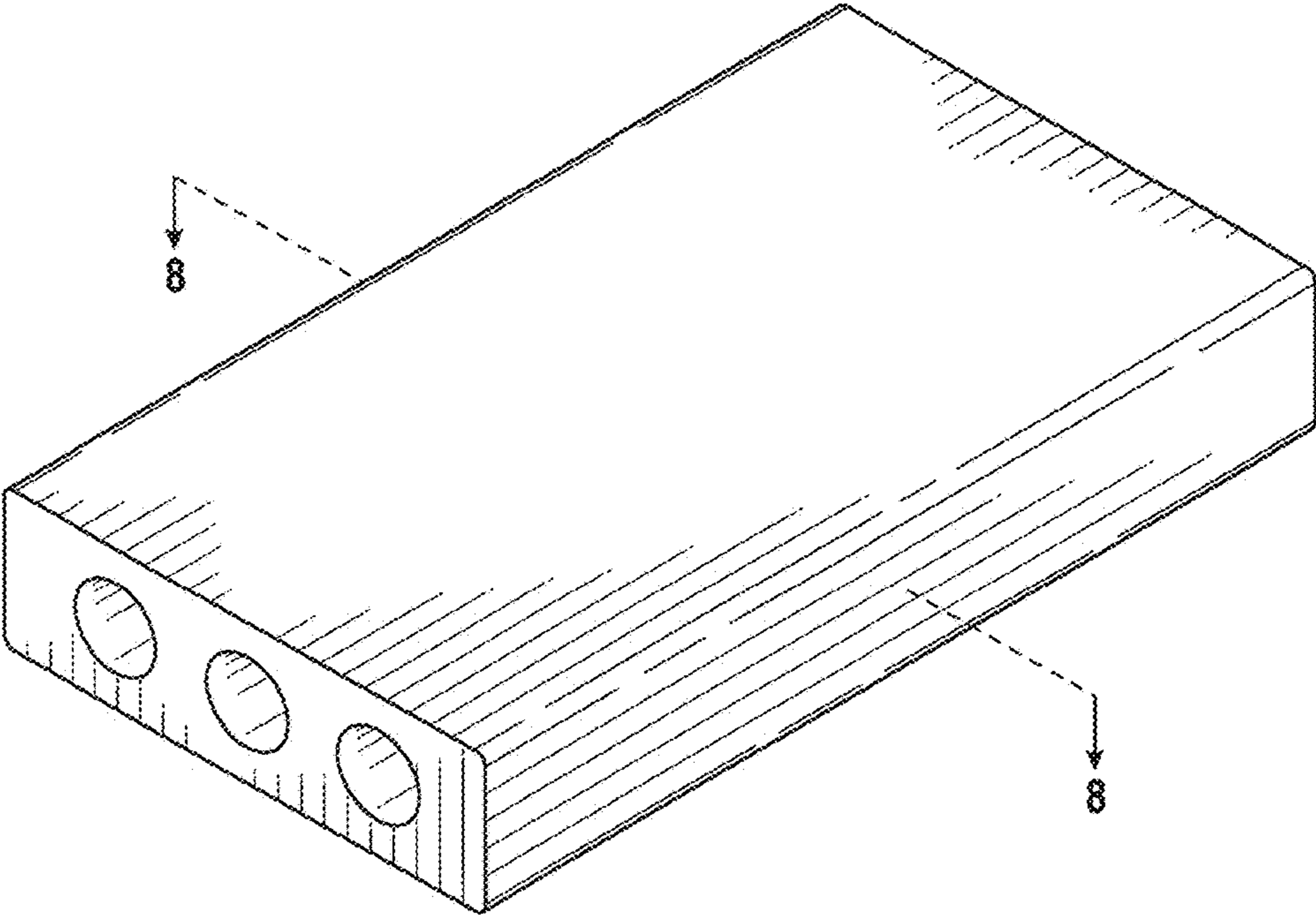


FIG. 1

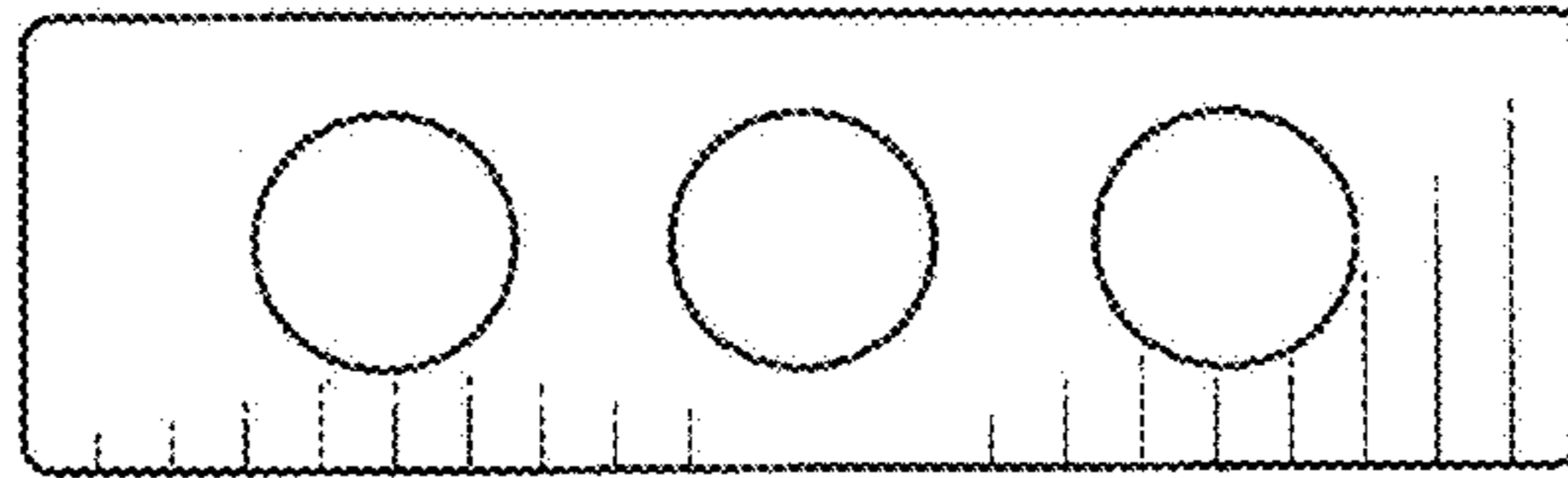


FIG. 2



FIG. 3

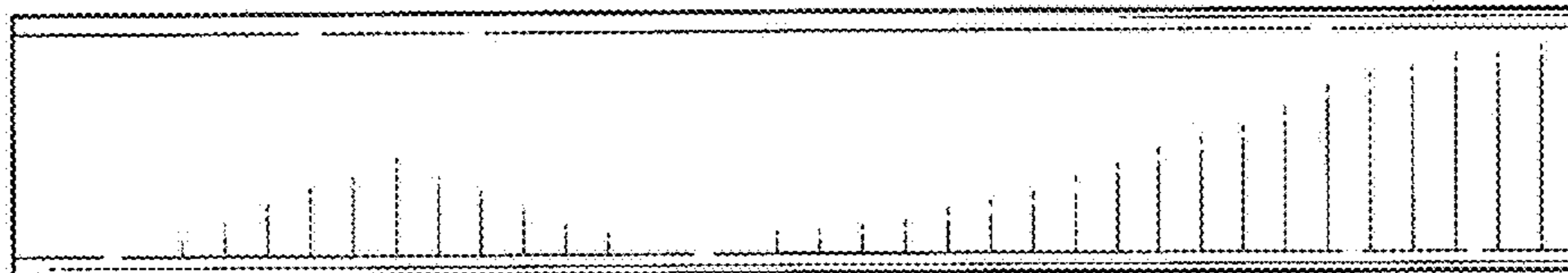


FIG. 4

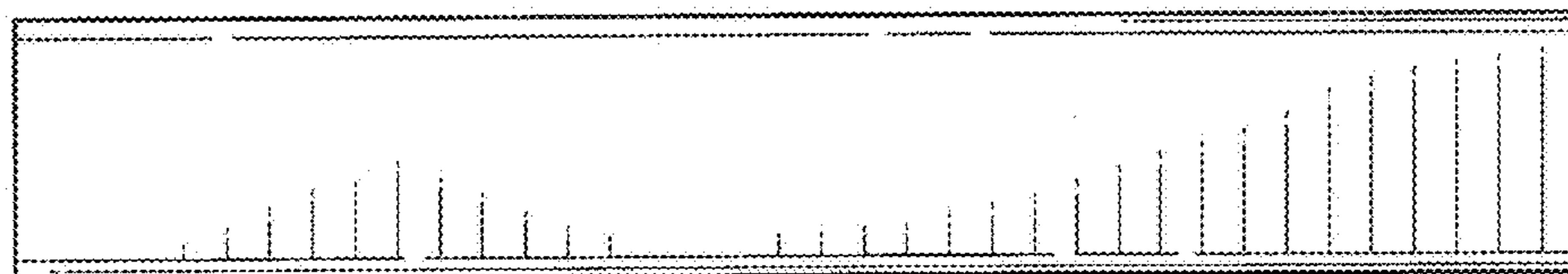


FIG. 5



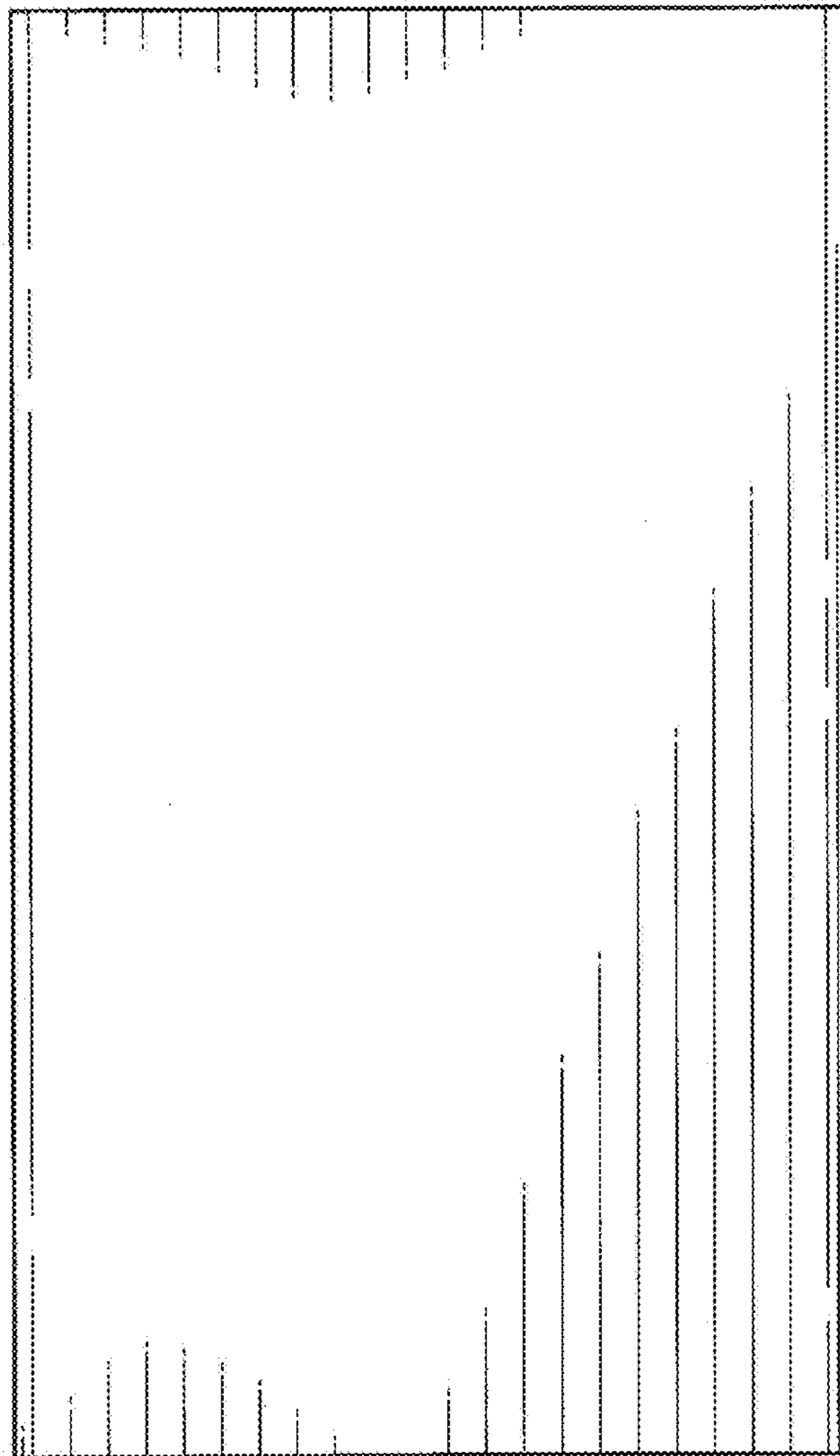


FIG. 6

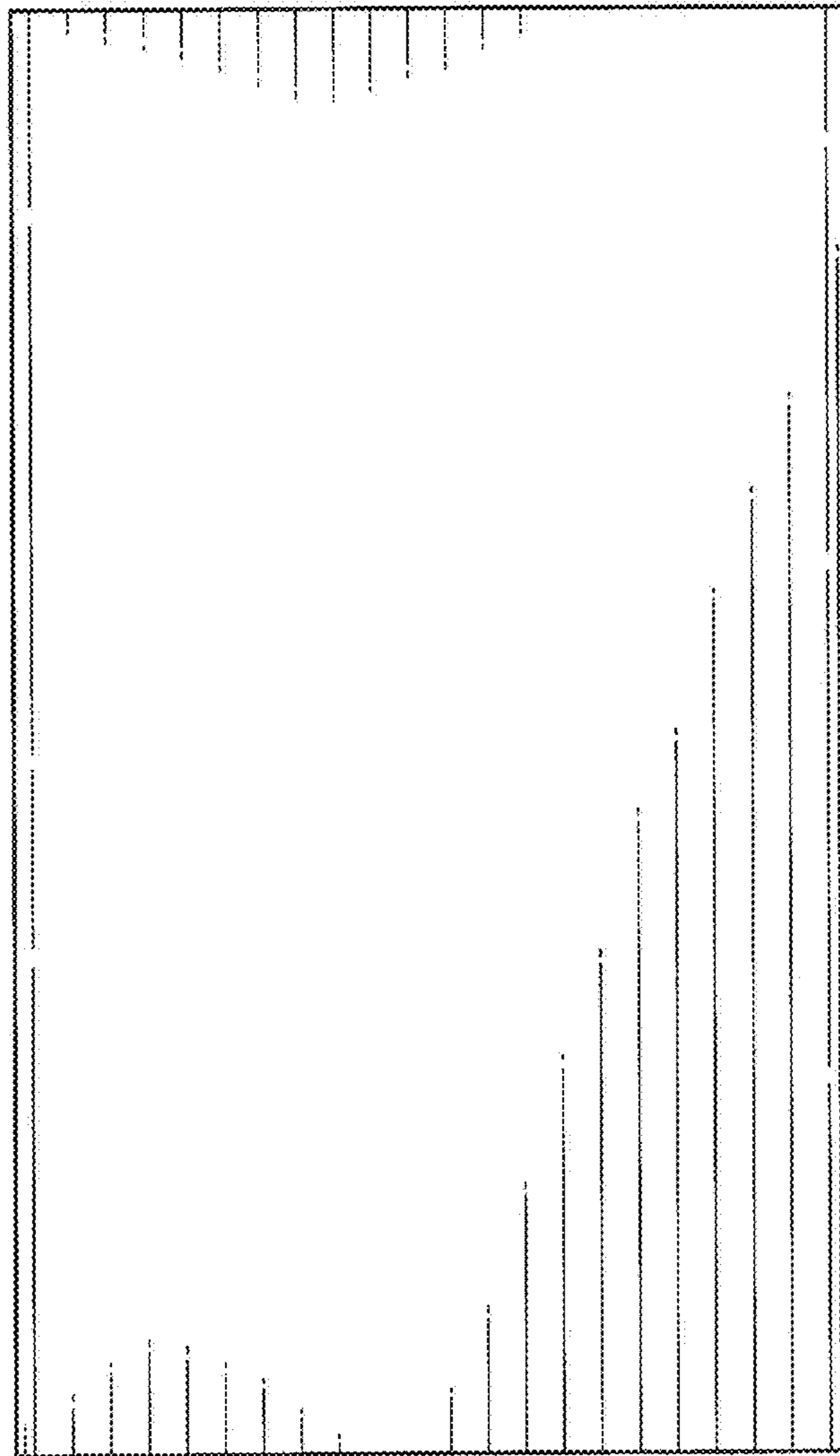


FIG. 7

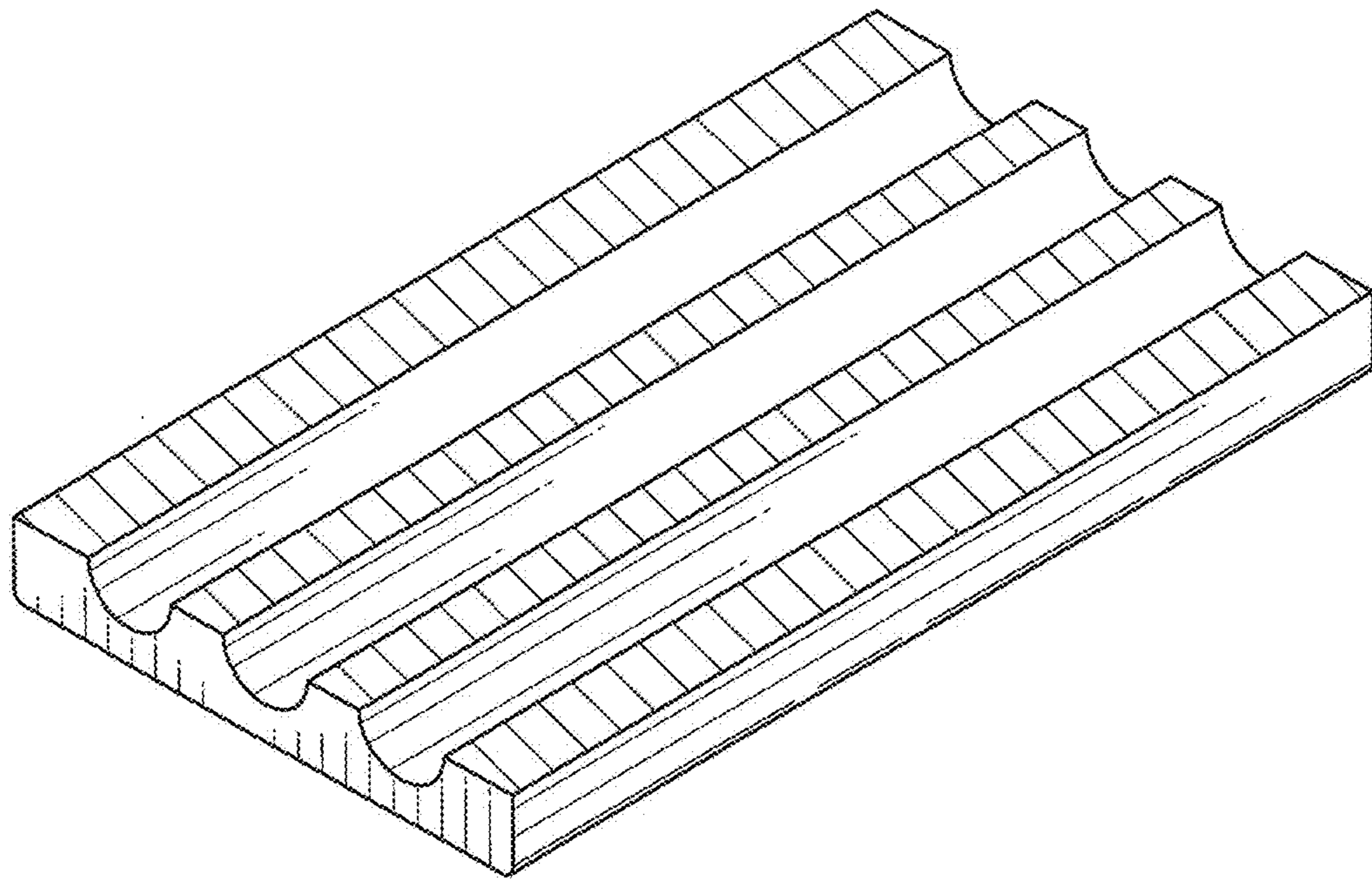


FIG. 8

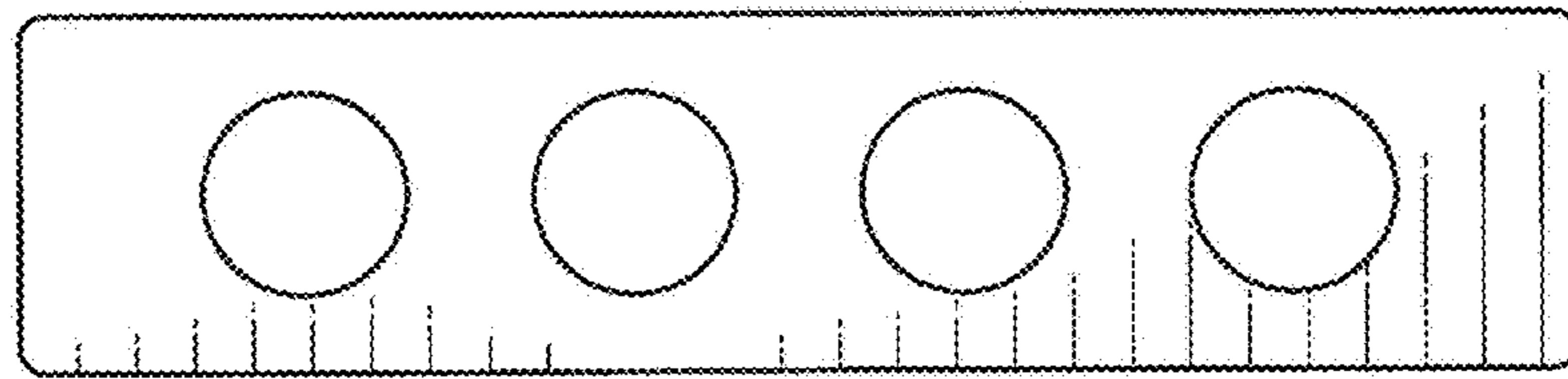


FIG. 9

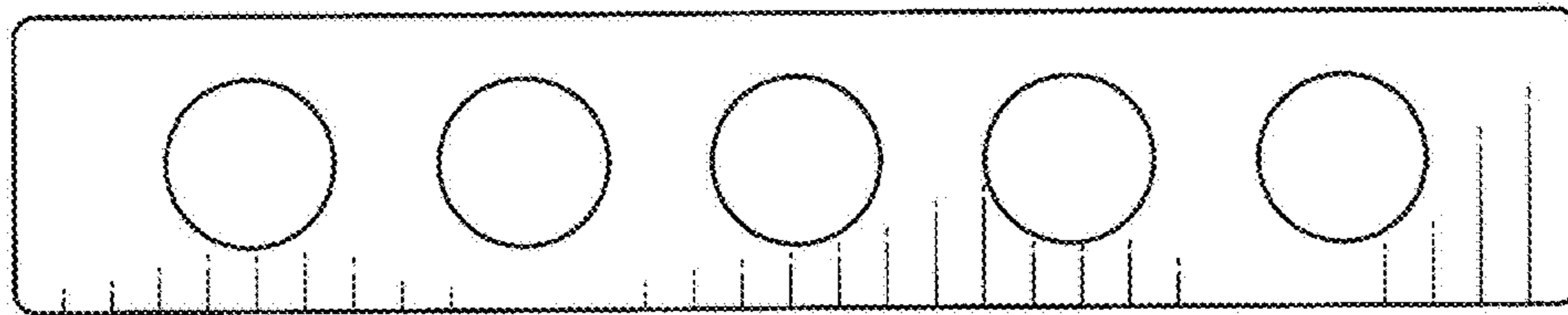


FIG. 10

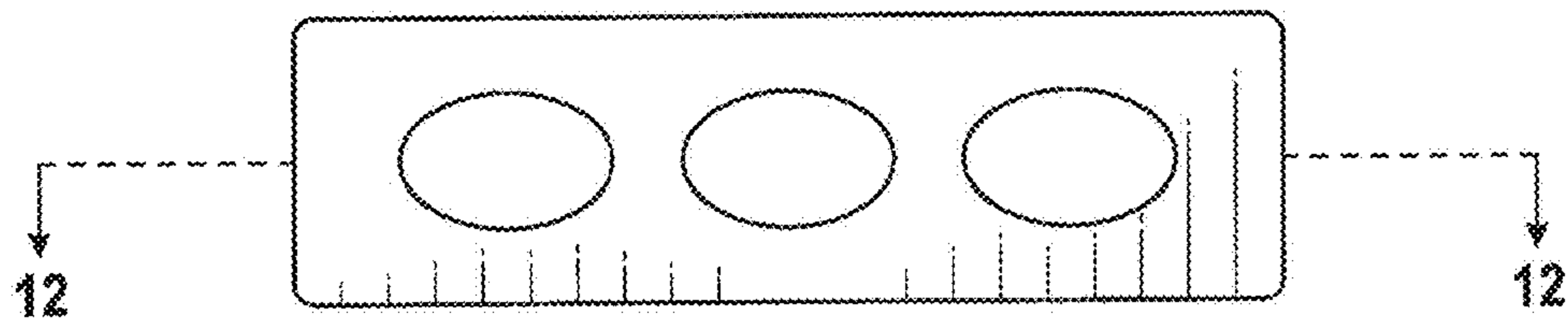


FIG. 11



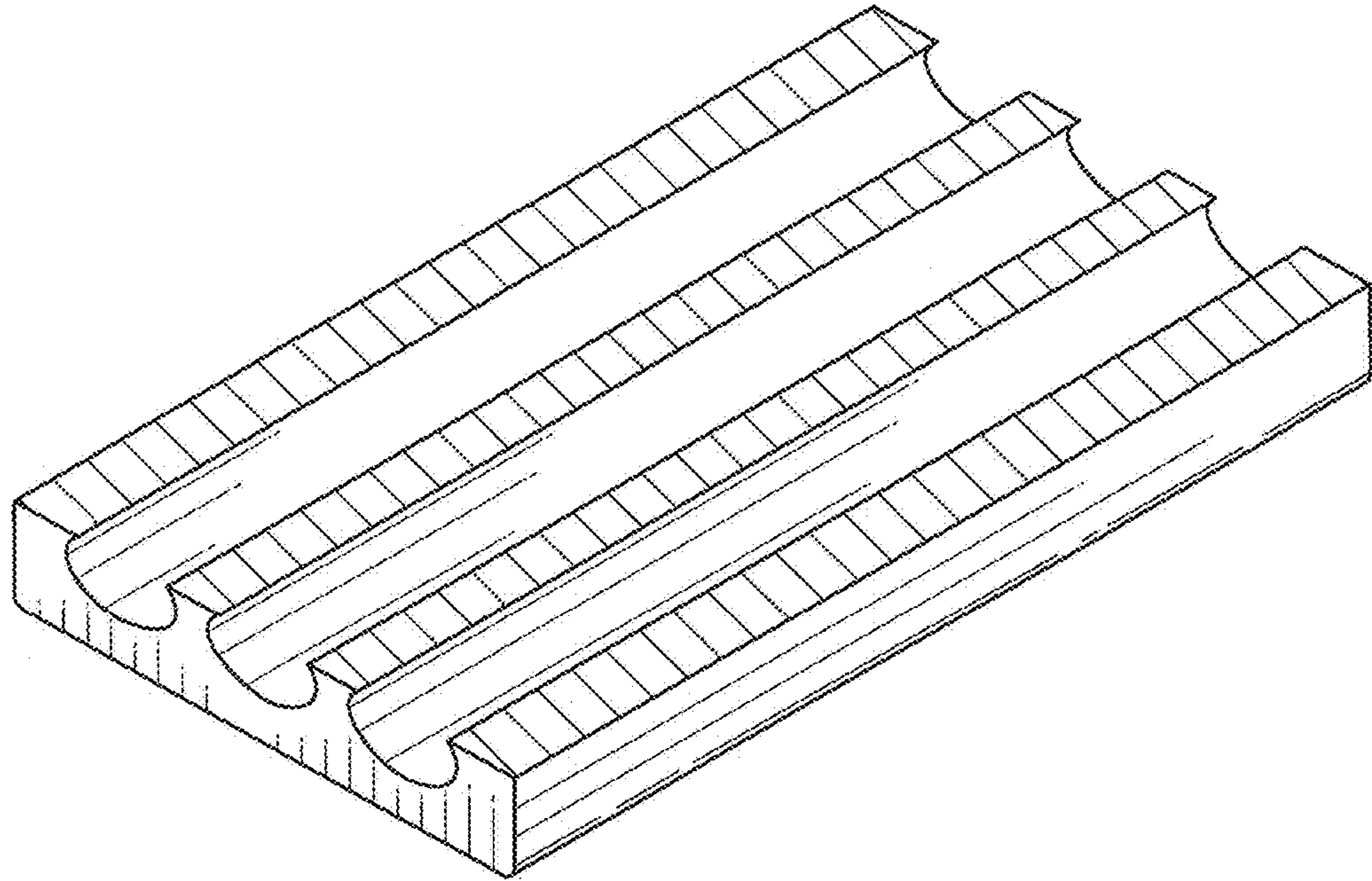


FIG. 12

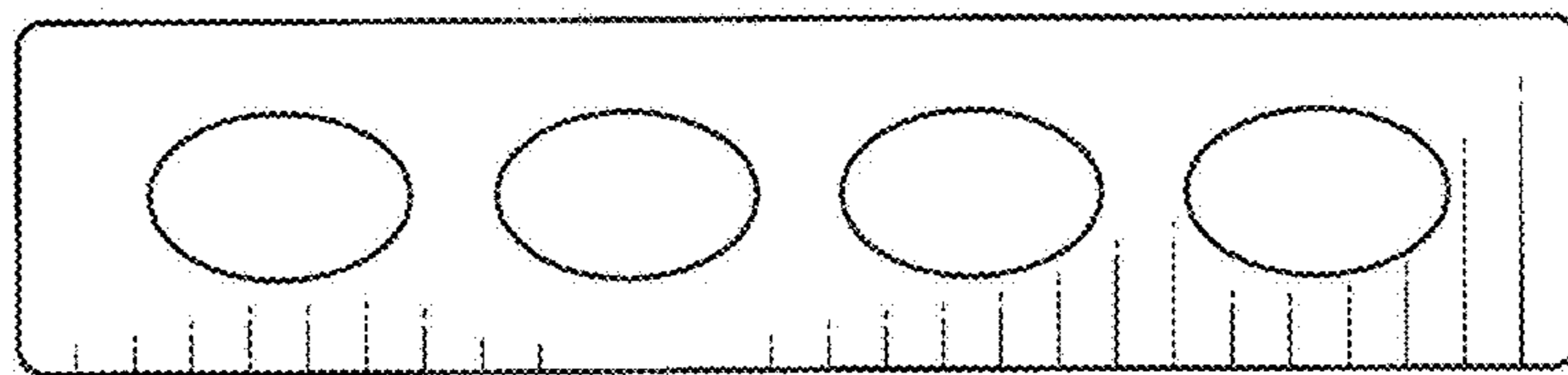


FIG. 13

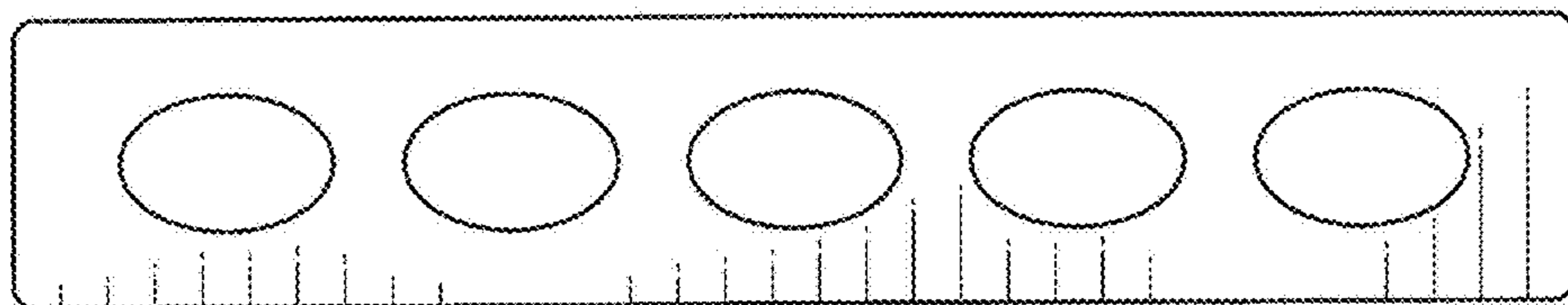


FIG. 14