



US00D830626S

(12) **United States Design Patent** (10) **Patent No.:** **US D830,626 S**
Gu (45) **Date of Patent:** **** Oct. 9, 2018**

(54) **ARC LIGHTER**

(71) Applicant: **Lianyungang Chudian Network Technology Co., Ltd.**, Lianyungang (CN)

(72) Inventor: **Rongya Gu**, Tongxing (CN)

(73) Assignee: **Lianyungang Chudian Network Technology Co., Ltd.**, Lianyungang (CN)

(**) Term: **15 Years**

(21) Appl. No.: **29/606,098**

(22) Filed: **Jun. 1, 2017**

(51) **LOC (11) Cl.** **27-05**

(52) **U.S. Cl.**
USPC **D27/141**

(58) **Field of Classification Search**
USPC D27/154, 139, 141, 152, 153, 156, 157, D27/159, 160; 431/273, 274, 277, 350, 431/353
CPC F23Q 2/00; F23Q 2/02; F23Q 2/16; F23Q 2/161; F23Q 5/00
See application file for complete search history.

(56) **References Cited**

U.S. PATENT DOCUMENTS

D244,783 S *	6/1977	O'Brien	D27/159
D314,837 S *	2/1991	Nitta	D27/154
D320,467 S *	10/1991	Ichikawa	D27/159
D339,209 S *	9/1993	Ichikawa	D27/157
6,506,046 B1 *	1/2003	Luo	F23Q 2/164 431/153
6,699,033 B2 *	3/2004	Xu	F23Q 2/287 431/255
7,335,017 B2 *	2/2008	Wong	F23Q 2/162 431/277
D716,997 S *	11/2014	Frelander	D23/367
9,046,267 B2 *	6/2015	Muste	F23Q 2/287

(Continued)

Primary Examiner — Susan Bennett-Hattan

Assistant Examiner — Rebecca Tsehaye

(74) *Attorney, Agent, or Firm* — Haugen Law Firm PLLP

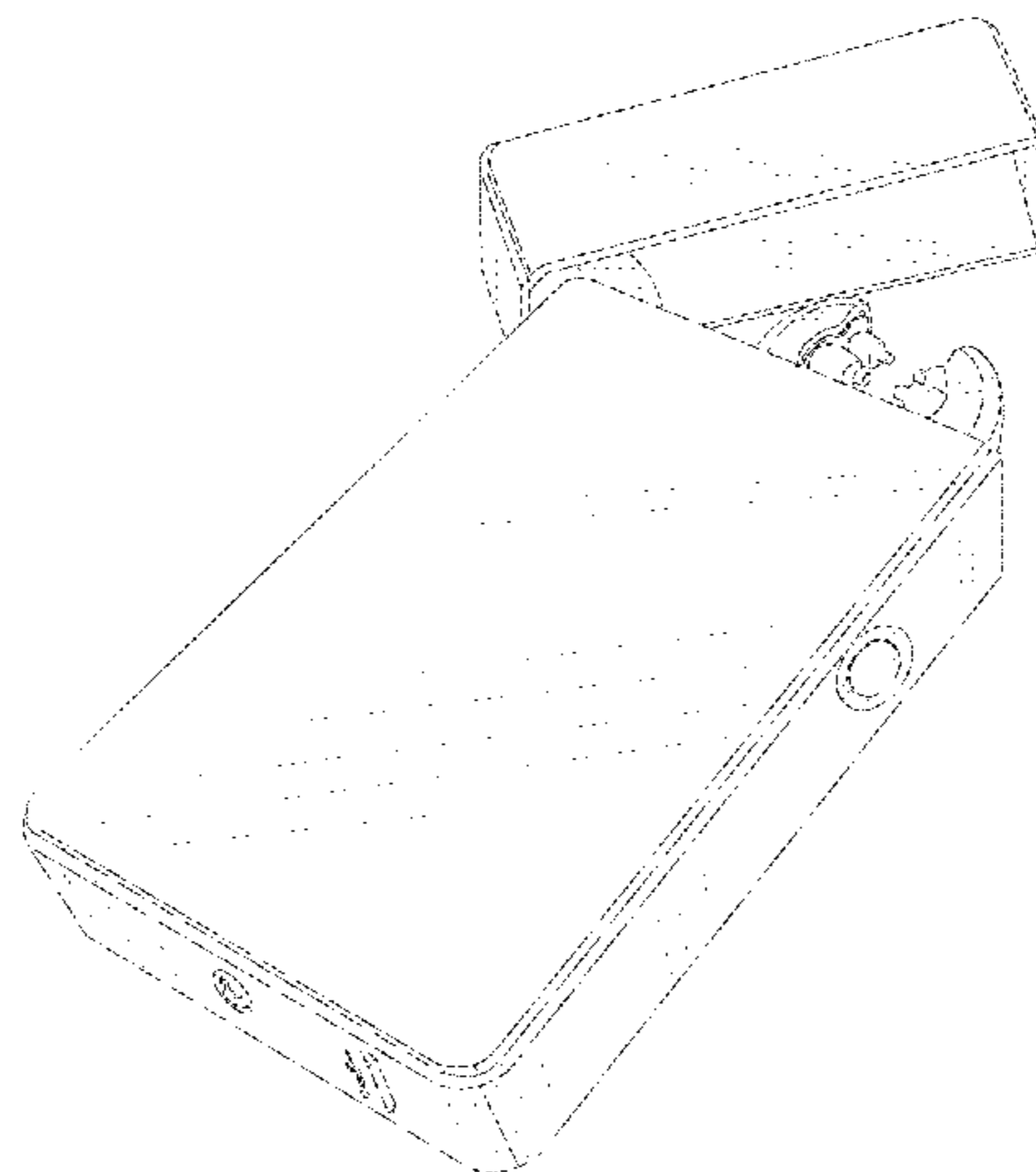
(57) **CLAIM**

The ornamental design for an arc lighter, as shown and described.

DESCRIPTION

FIG. 1 is a bottom perspective view of the arc lighter with the top cap open;
 FIG. 2 is a bottom perspective view of the arc lighter with the top cap closed;
 FIG. 3 is a front elevational view of the arc lighter with the top cap open;
 FIG. 4 is a rear elevational view of the arc lighter with the top cap open;
 FIG. 5 is a left side elevational view of the arc lighter with the top cap open;
 FIG. 6 is a right side elevational view of the arc lighter with the top cap open;
 FIG. 7 is a top plan view of the arc lighter with the top cap open;
 FIG. 8 is a bottom plan view of the arc lighter with the top cap open;
 FIG. 9 is a front elevational view of the arc lighter with the top cap closed;
 FIG. 10 is a rear elevational view of the arc lighter with the top cap closed;
 FIG. 11 is a left side elevational view of the arc lighter with the top cap closed;
 FIG. 12 is a right side elevational view of the arc lighter with the top cap closed;
 FIG. 13 is a top plan view of the arc lighter with the top cap closed; and,
 FIG. 14 is a bottom plan view of the arc lighter with the top cap closed.

1 Claim, 14 Drawing Sheets



(56)

References Cited

U.S. PATENT DOCUMENTS

D736,455 S * 8/2015 Liu D27/189
D736,995 S * 8/2015 Recio D27/141

* cited by examiner

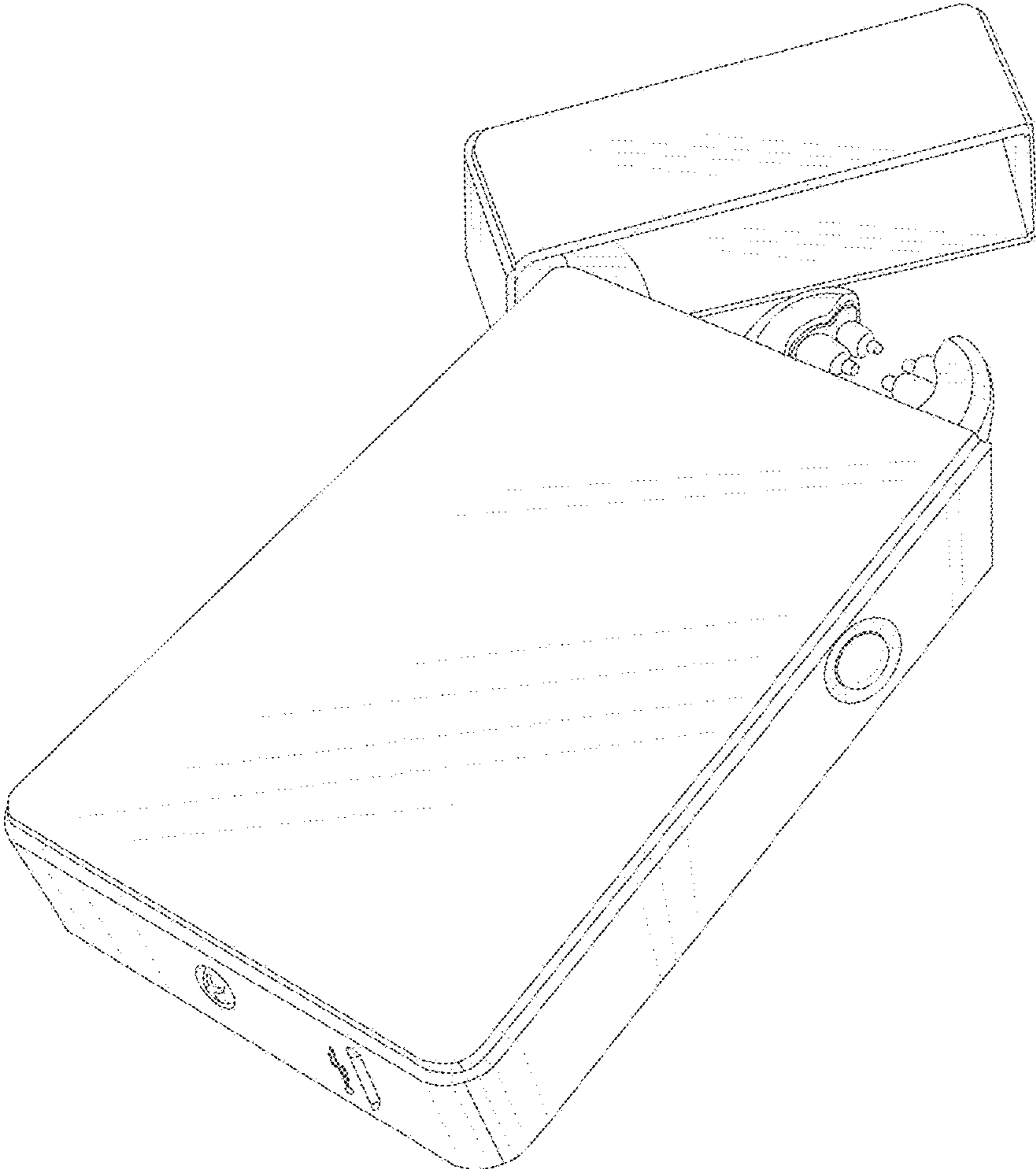


Fig. 1

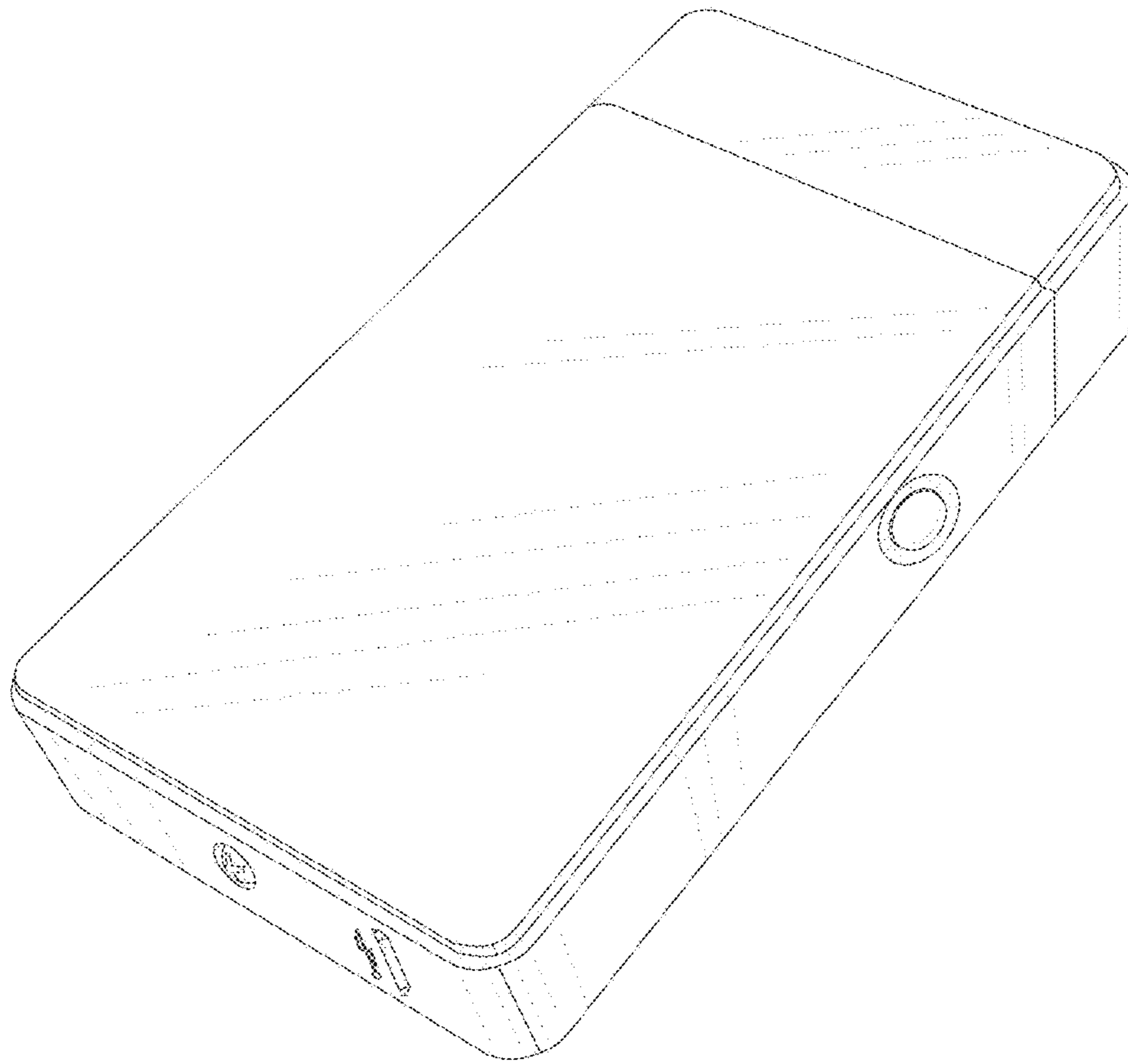


Fig.2

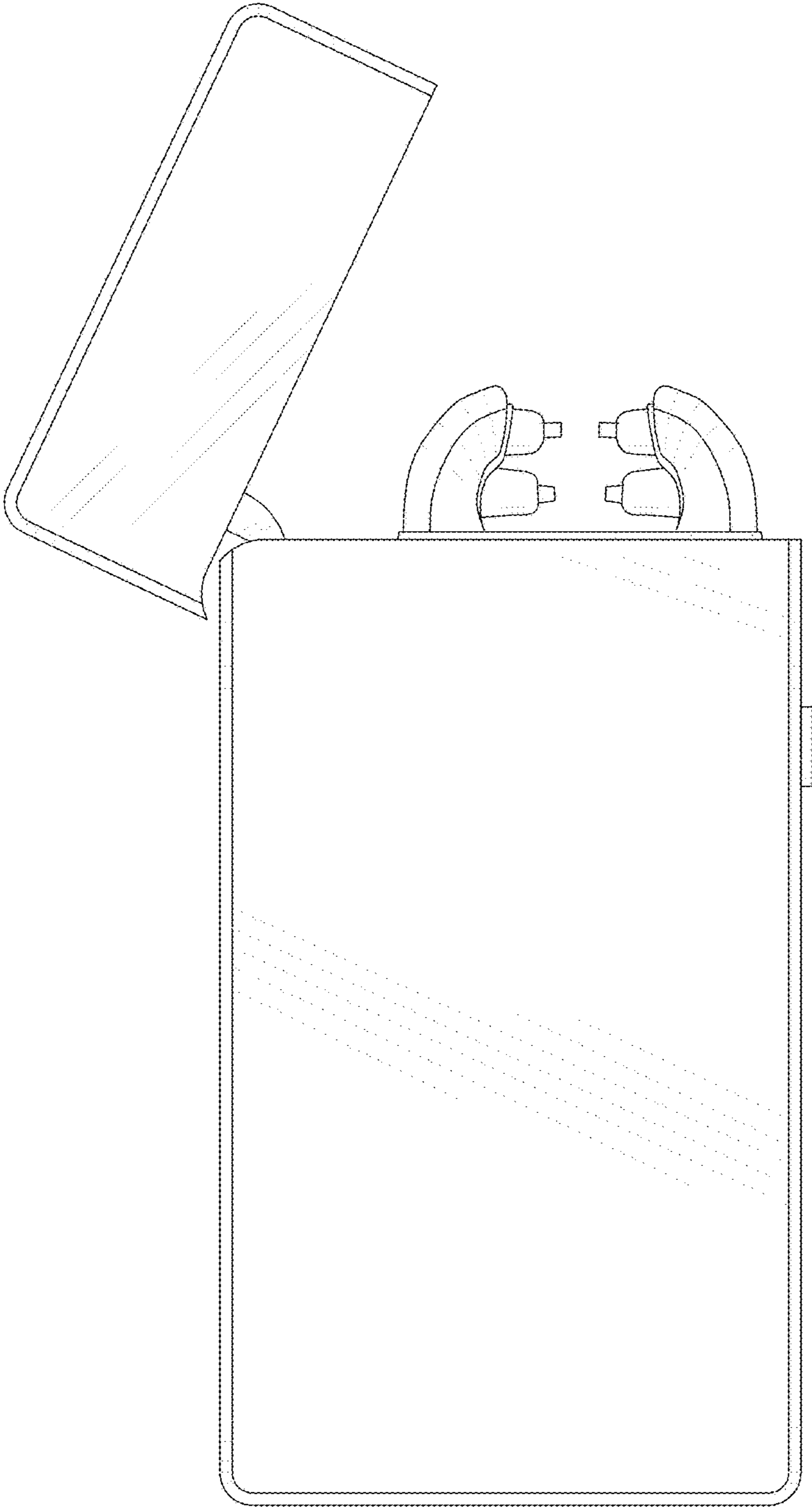


Fig.3

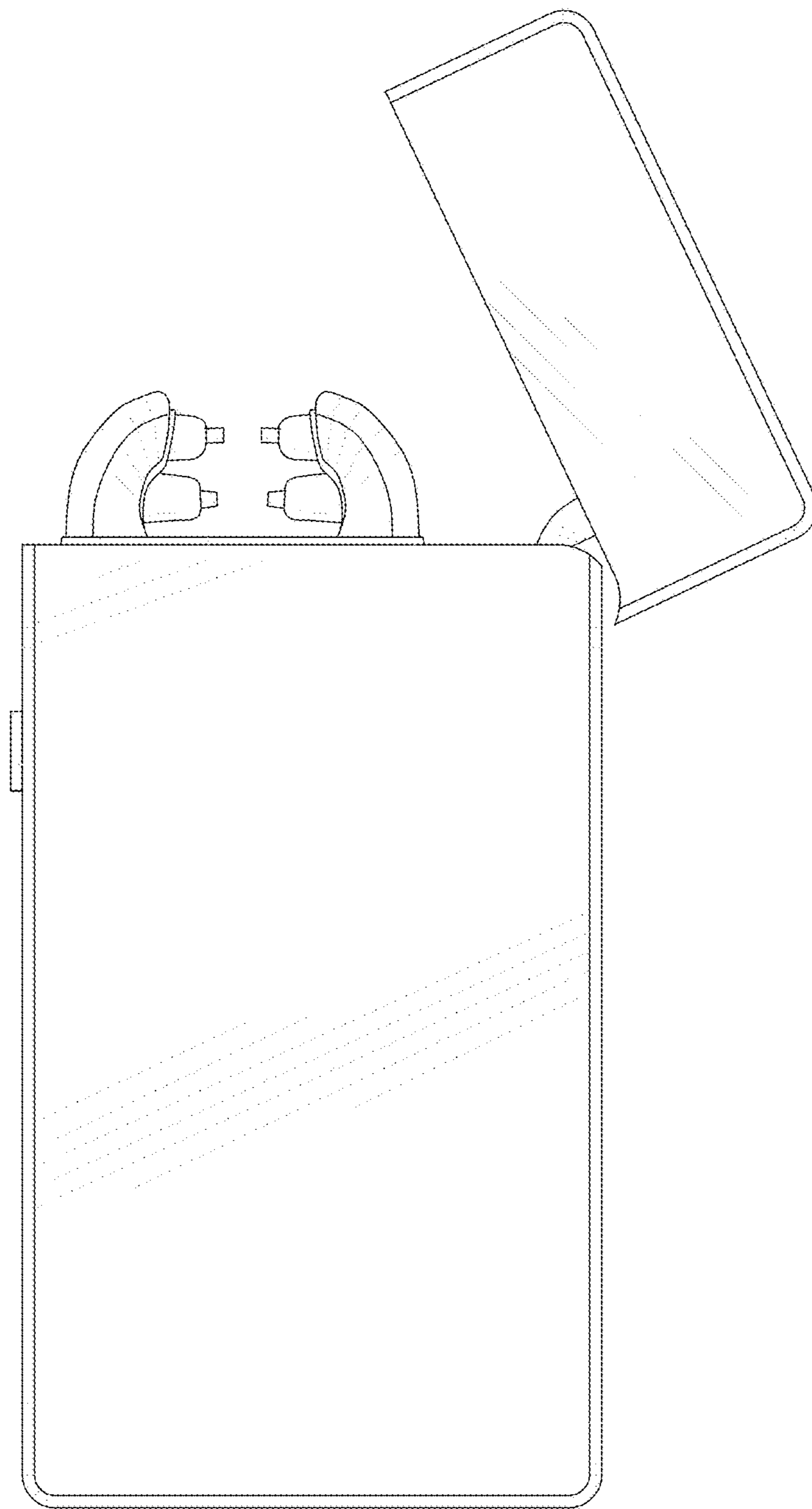


Fig.4

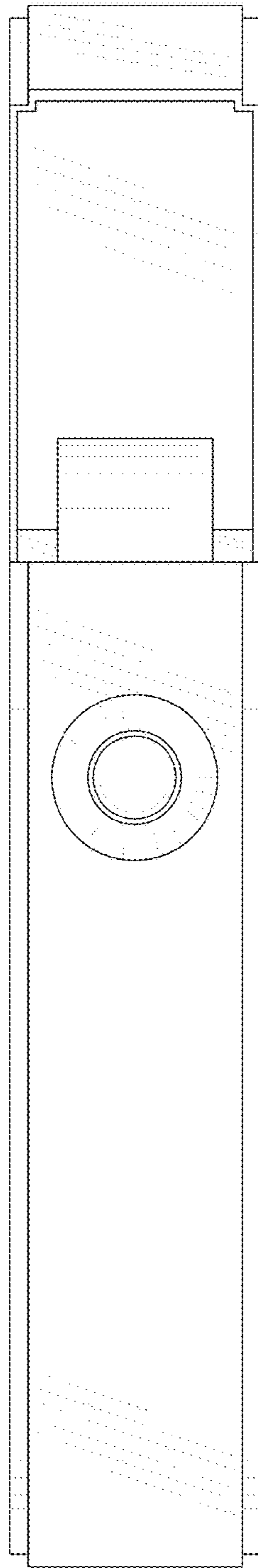


Fig. 5

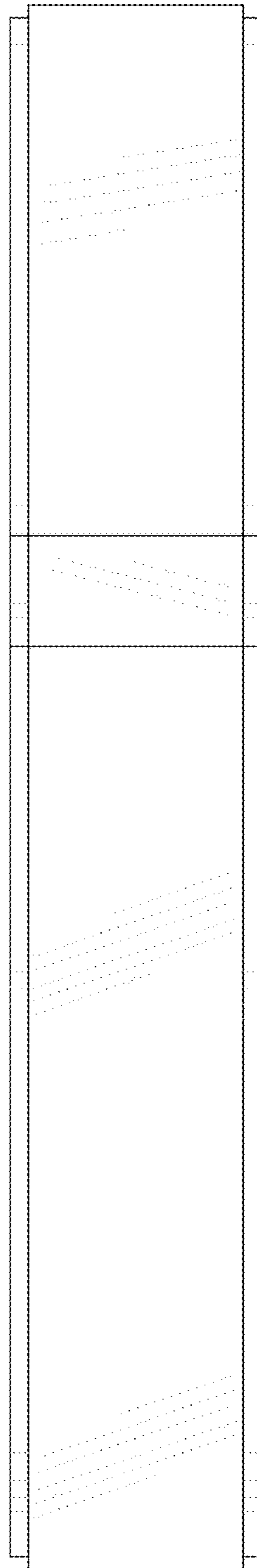


Fig.6

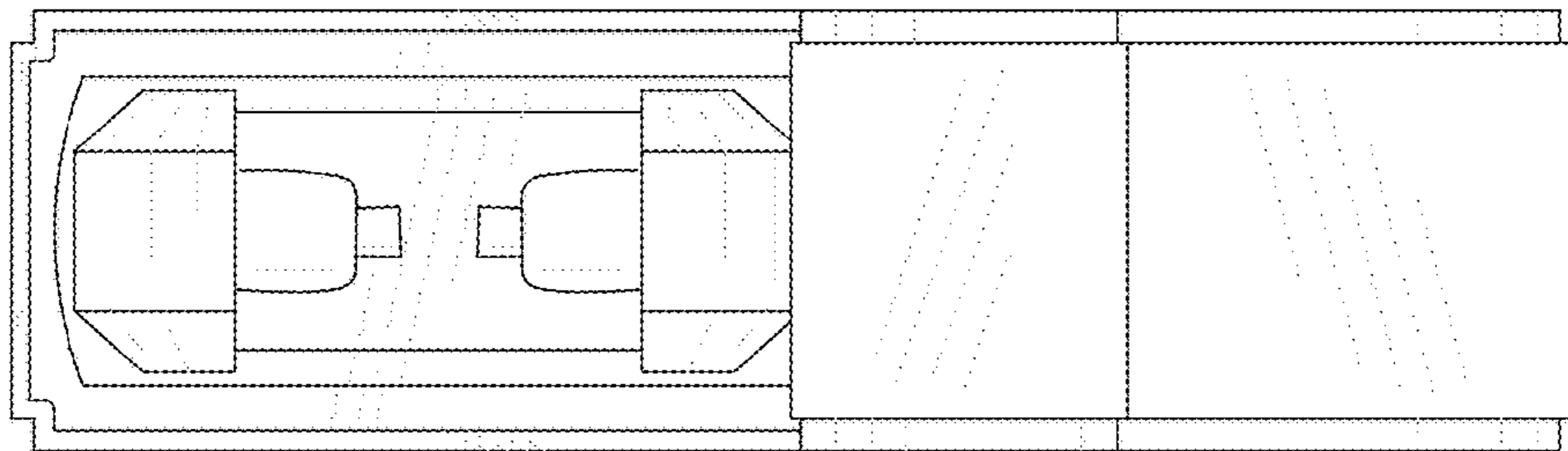


Fig. 7

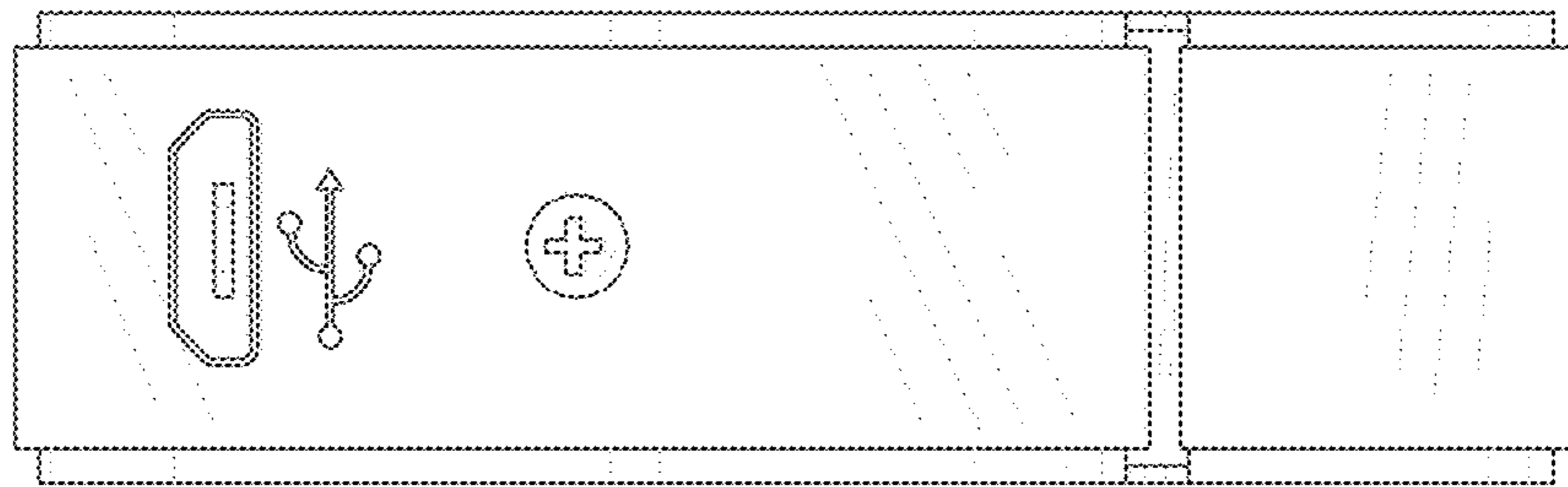


Fig. 8

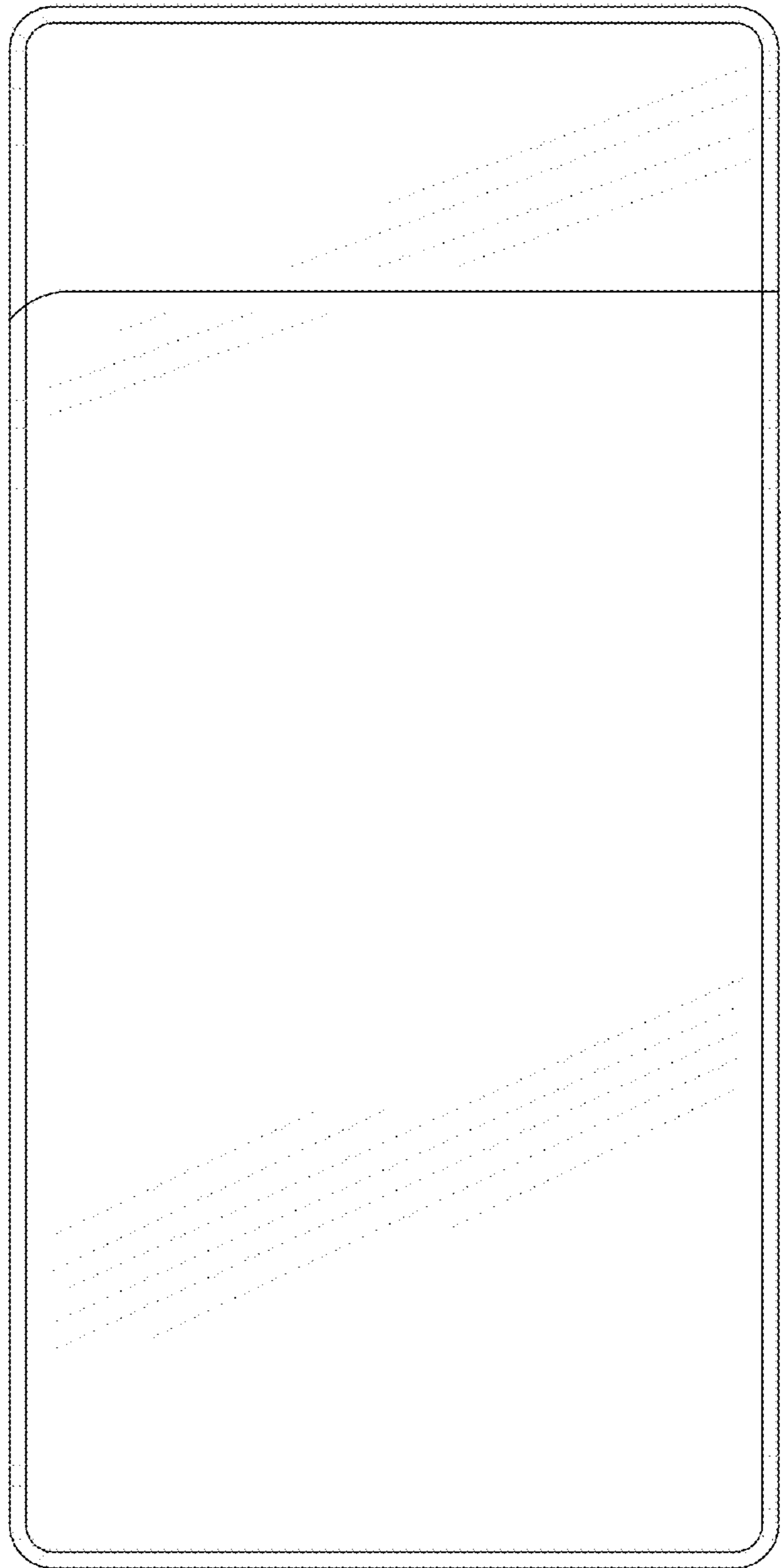


Fig.9

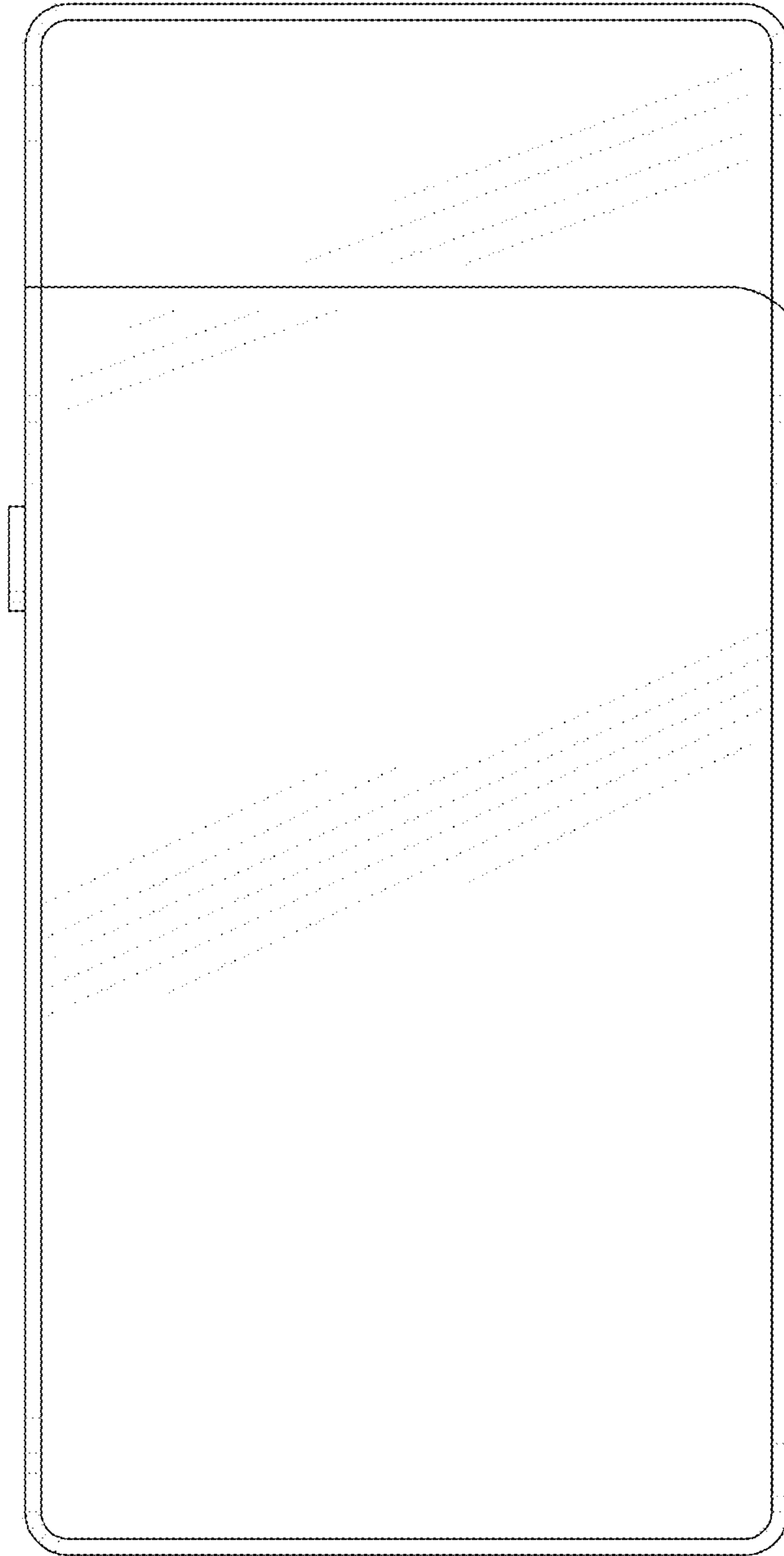


Fig. 10

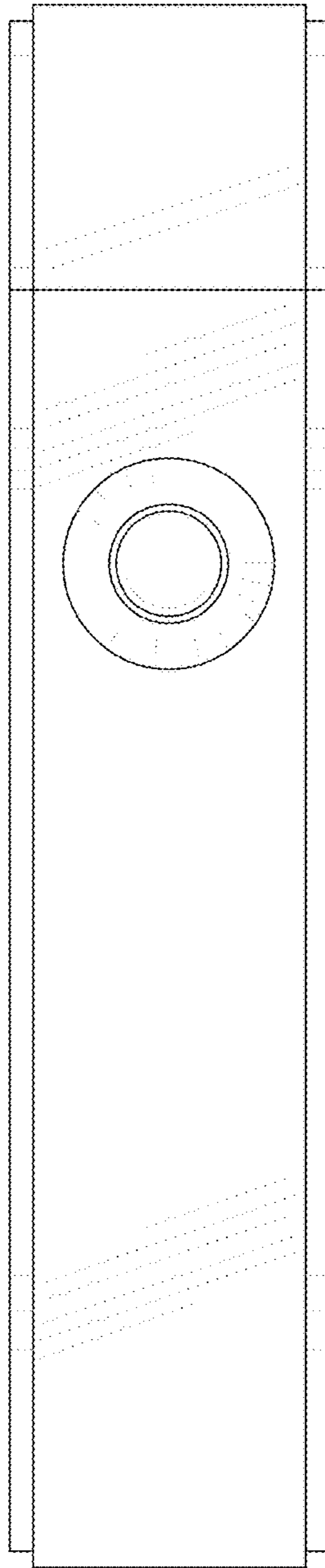


Fig. 11

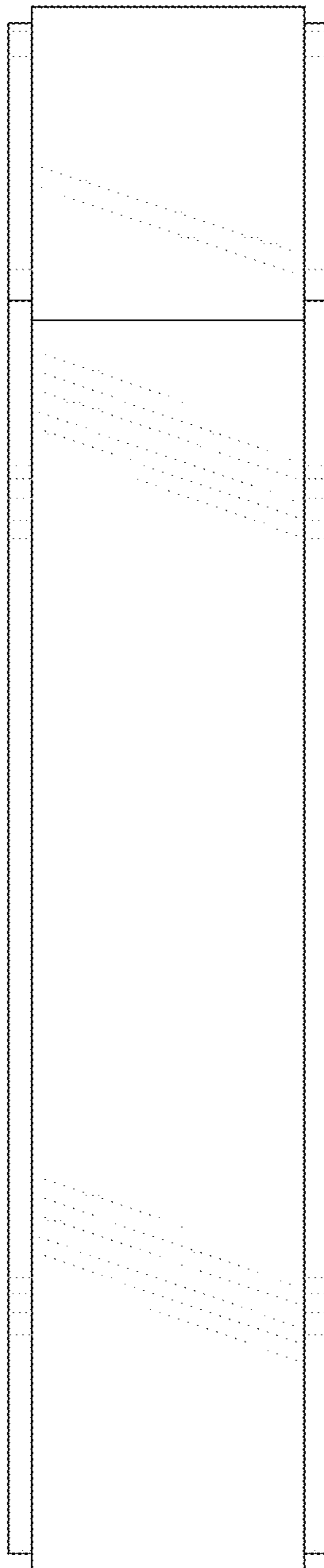


Fig. 12

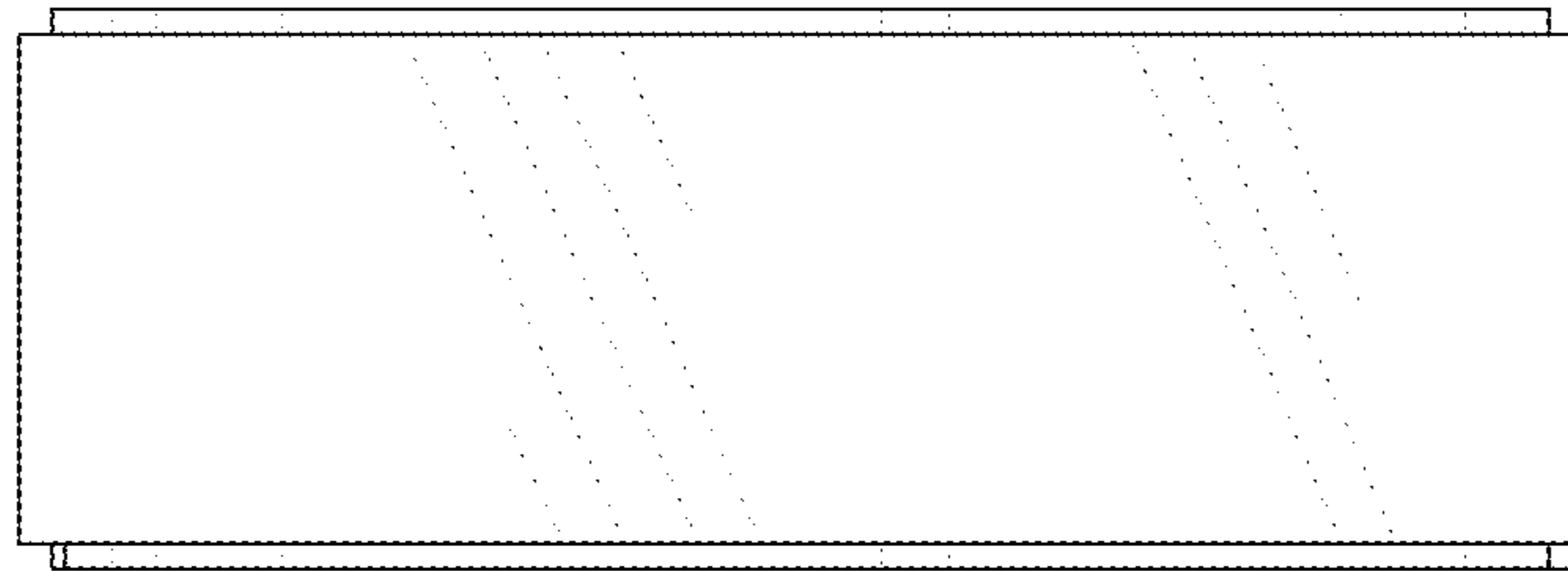


Fig. 13

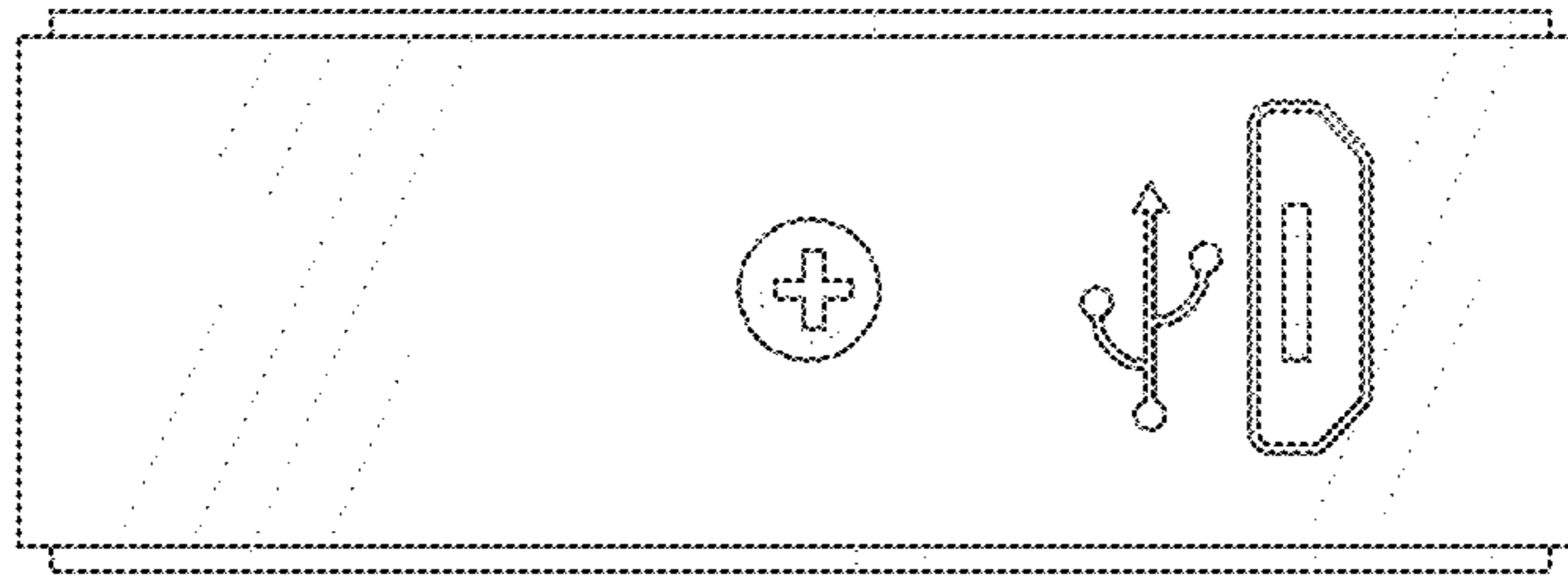


Fig. 14