



US00D830624S

(12) **United States Design Patent** (10) **Patent No.:** **US D830,624 S**
Amato et al. (45) **Date of Patent:** **** Oct. 9, 2018**

(54) **LIGHTING FIXTURE**

(71) Applicant: **The Urban Electric Company**, North Charleston, SC (US)

(72) Inventors: **Michael Amato**, Johns Island, SC (US); **David Dawson**, Charleston, SC (US); **Jonathan Charpia**, Summerville, SC (US); **Christopher Roof**, Charleston, SC (US); **Joeangel Casanova**, North Charleston, SC (US); **Courtney Salsbury**, Mount Pleasant, SC (US); **Brianna Magagnoli**, Charleston, SC (US)

(73) Assignee: **The Urban Electric Company**, North Charleston, SC (US)

(**) Term: **15 Years**

(21) Appl. No.: **29/594,986**

(22) Filed: **Feb. 24, 2017**

(51) **LOC (11) Cl.** **26-05**

(52) **U.S. Cl.**
USPC **D26/155; D26/87**

(58) **Field of Classification Search**
USPC D26/76, 78, 79, 80, 81, 82, 83, 85, 86, D26/88, 90, 93, 111, 113, 118, 119, 120, D26/121, 122, 138, 139, 140, 141, 142, D26/152
CPC F21S 2/00; F21S 4/00; F21S 4/003; F21S 4/005; F21S 4/006; F21S 4/007; F21S 4/008; F21S 6/00; F21S 8/00; F21S 8/024; F21S 8/026; F21S 8/031; F21S 8/033; F21S 8/035-8/037; F21S 8/04; F21S 8/043; F21S 8/063
See application file for complete search history.

(56) **References Cited**

U.S. PATENT DOCUMENTS

D386,810 S * 11/1997 Porter D26/145
D419,713 S * 1/2000 Diaz-Azcuy D26/87

D419,714 S * 1/2000 Diaz-Azcuy D26/87
D442,317 S * 5/2001 Crosby D26/87
D460,210 S * 7/2002 Lee D26/155
D466,248 S * 11/2002 Dolan D26/155
D556,369 S * 11/2007 Barry D26/142
D556,372 S * 11/2007 Chan D26/145
D574,992 S * 8/2008 Citterio D26/87
D583,094 S * 12/2008 Chan D26/155
D588,305 S * 3/2009 Chan D26/155
D643,564 S * 8/2011 Gilad D26/87
D643,565 S * 8/2011 Gilad D26/87
D804,716 S * 12/2017 Nahabedian D26/154
D821,018 S * 6/2018 Amato D26/87
D821,629 S * 6/2018 Amato D26/87

* cited by examiner

Primary Examiner — George D. Kirschbaum

Assistant Examiner — Natasha Vujcic

(74) *Attorney, Agent, or Firm* — Jeffrey T. Stover;
Haynsworth Sinkler Boyd, P.A.

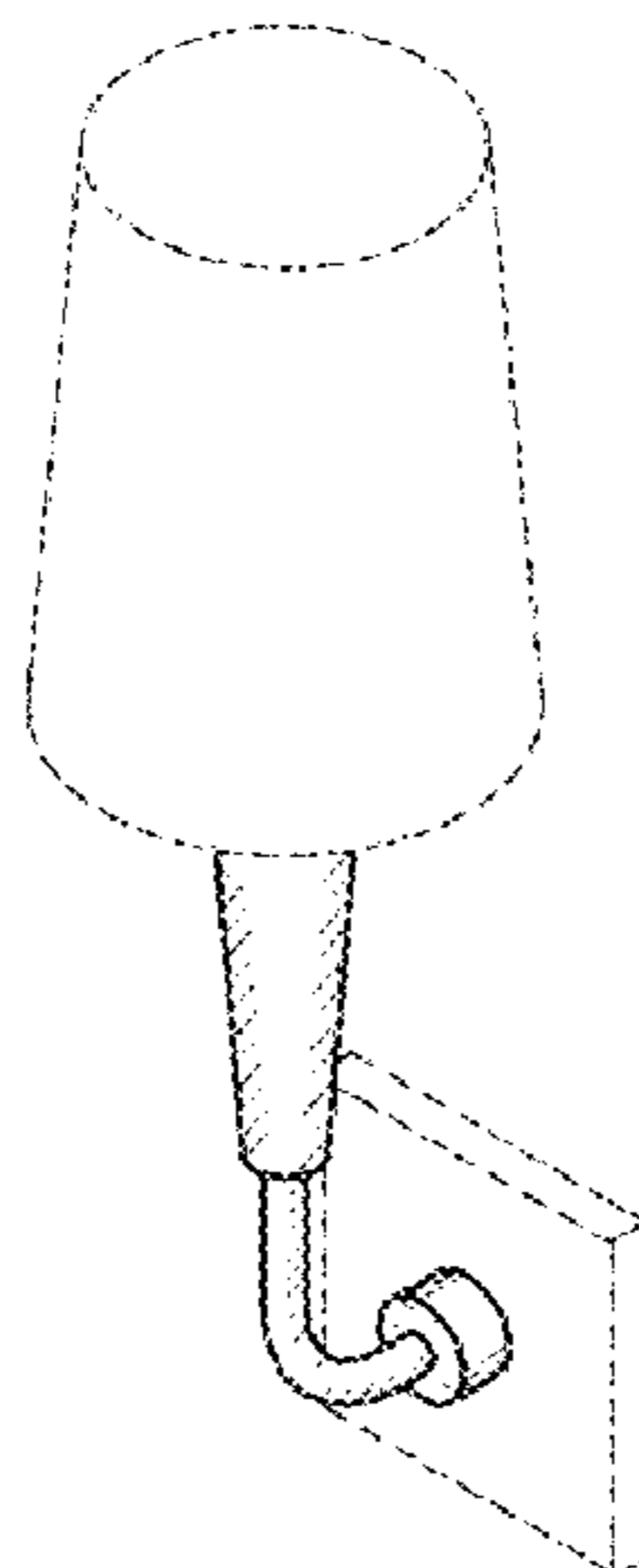
(57) **CLAIM**

The ornamental design for a lighting fixture, as shown and described.

DESCRIPTION

FIG. 1 is a top-front perspective view of a lighting fixture showing the new design;
FIG. 2 is a front elevational view thereof;
FIG. 3 is a back elevational view thereof.
FIG. 4 is a right side elevational view thereof;
FIG. 5 is a left side elevational view thereof;
FIG. 6 is a top plan view thereof;
FIG. 7 is a bottom plan view thereof; and,
FIG. 8 is a top-rear perspective view thereof.
The broken line disclosure in the views represents environmental structure which forms no part of the claimed design.

1 Claim, 8 Drawing Sheets



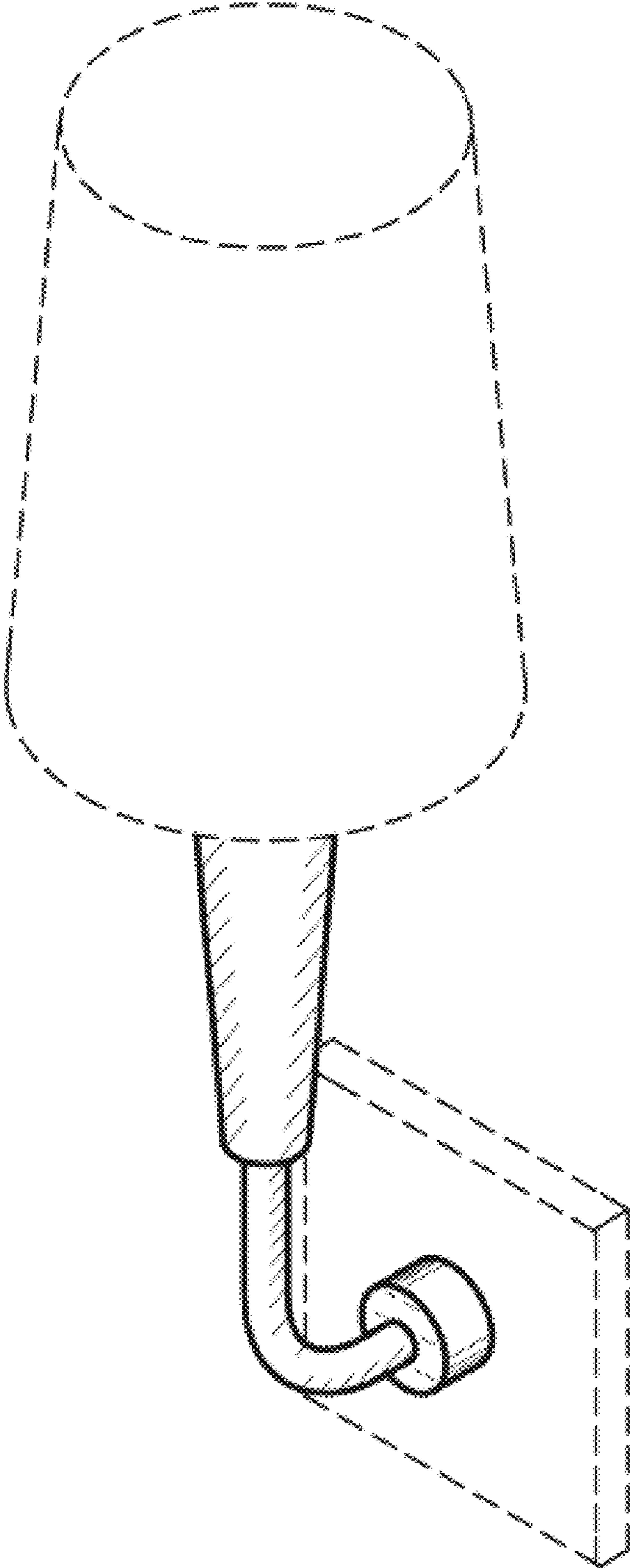


FIG. 1

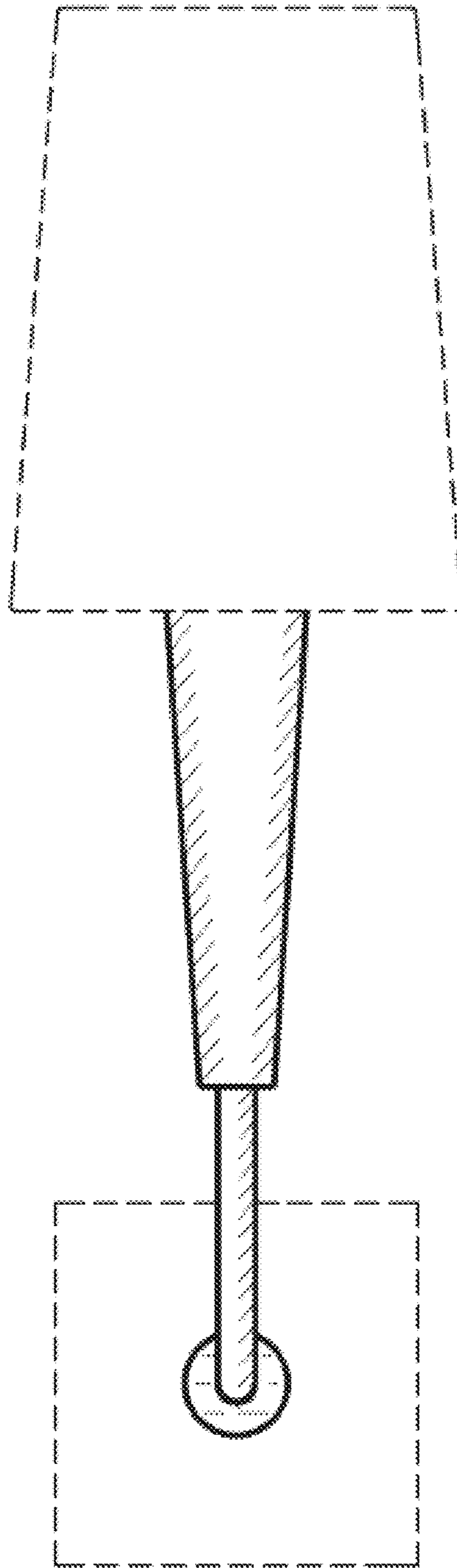


FIG. 2

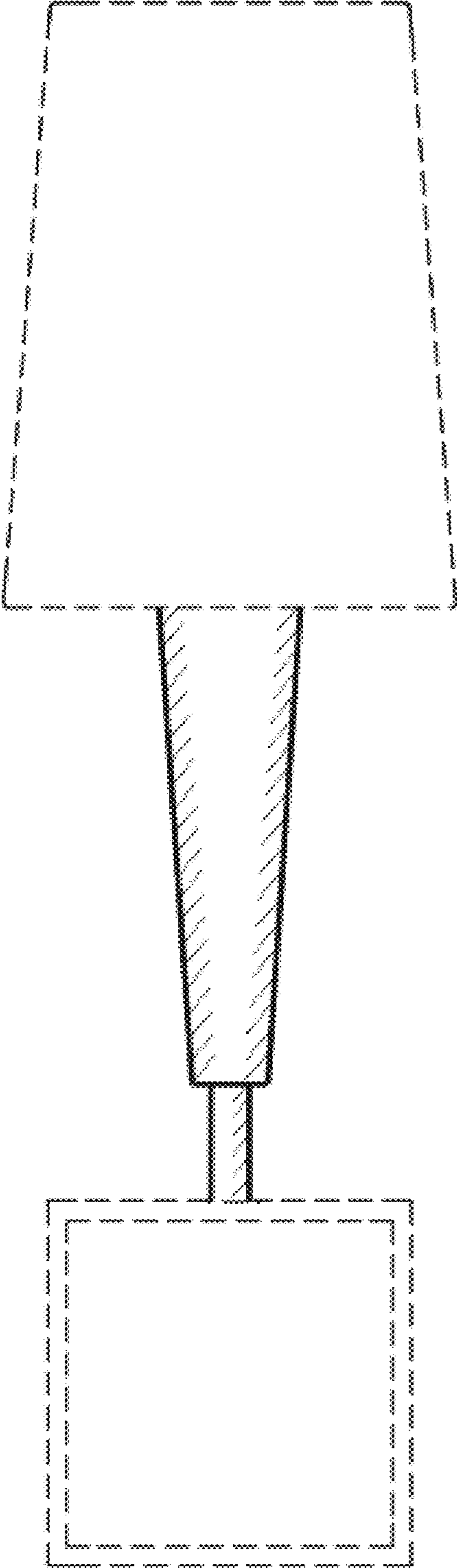


FIG. 3

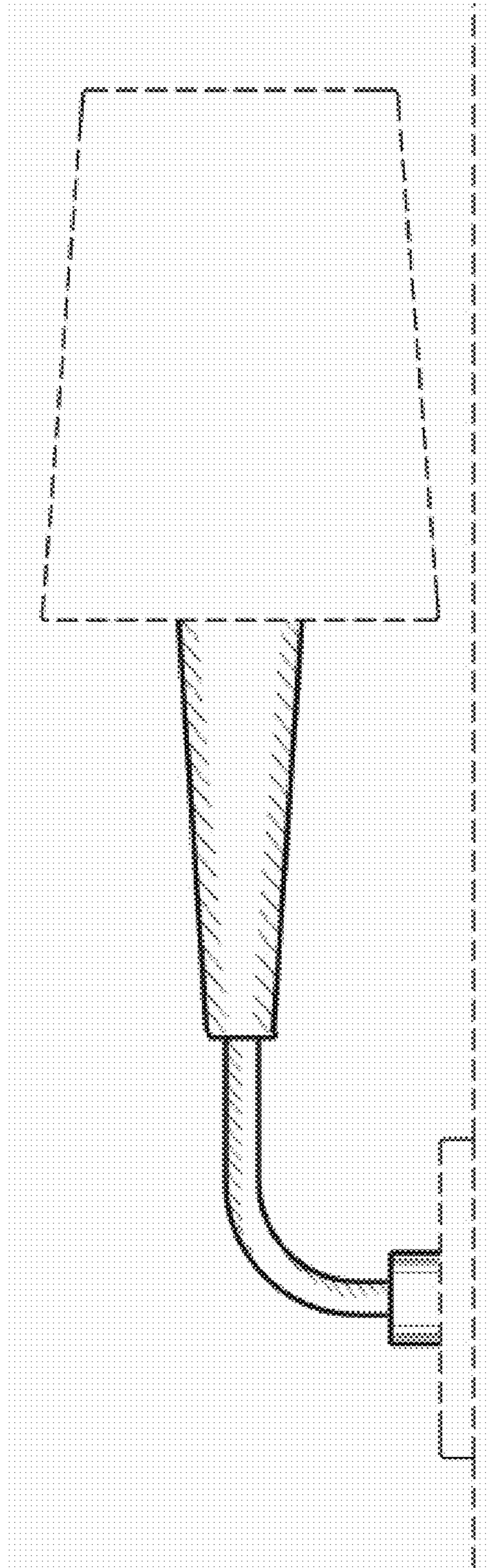


FIG. 4

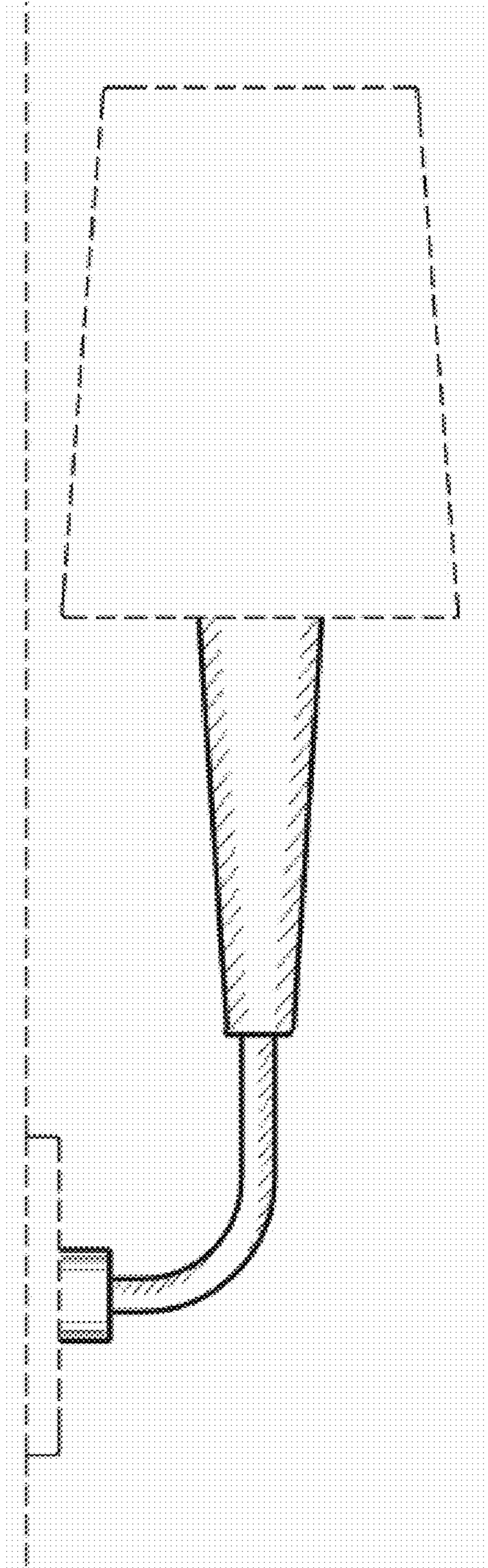


FIG. 5

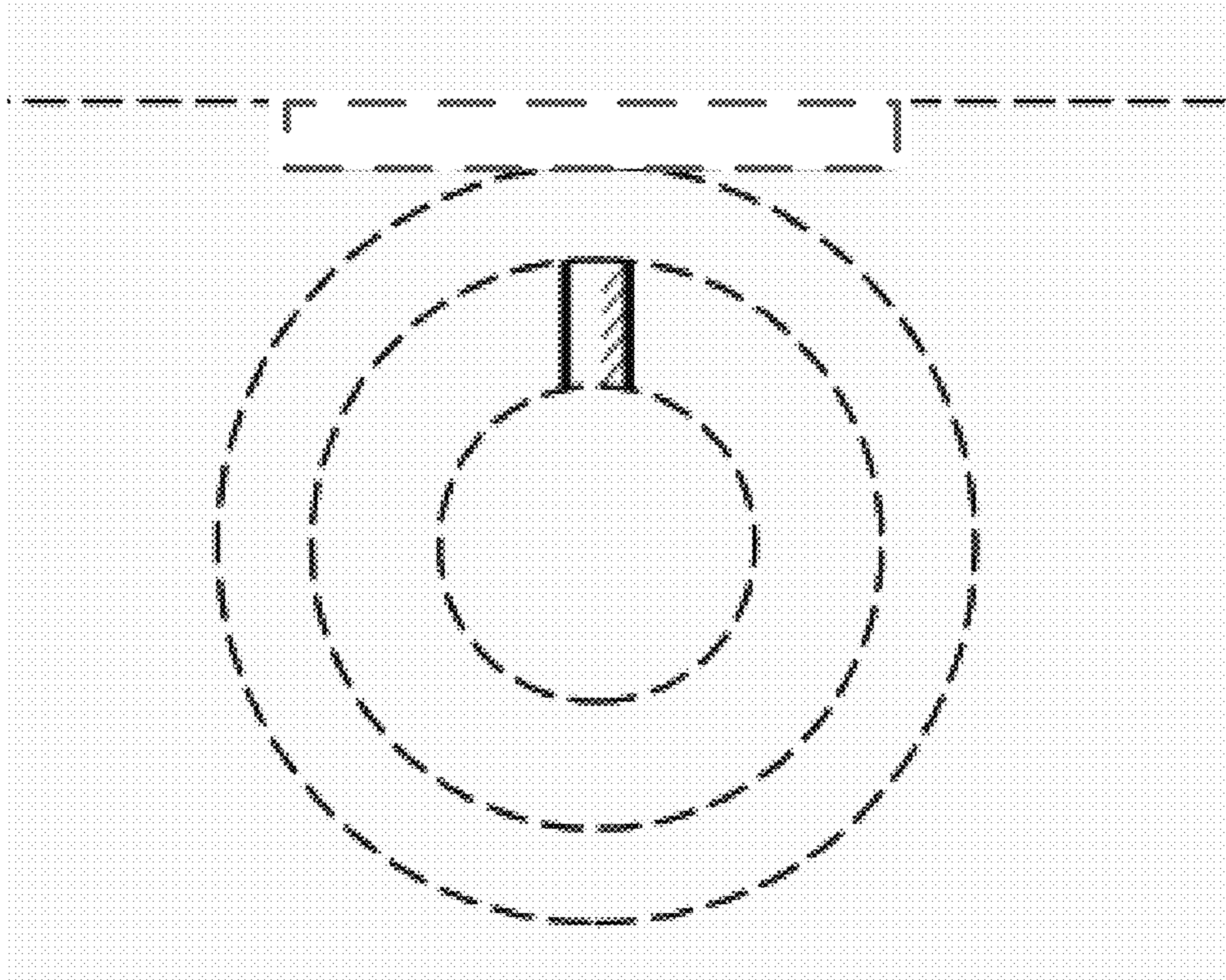


FIG. 6

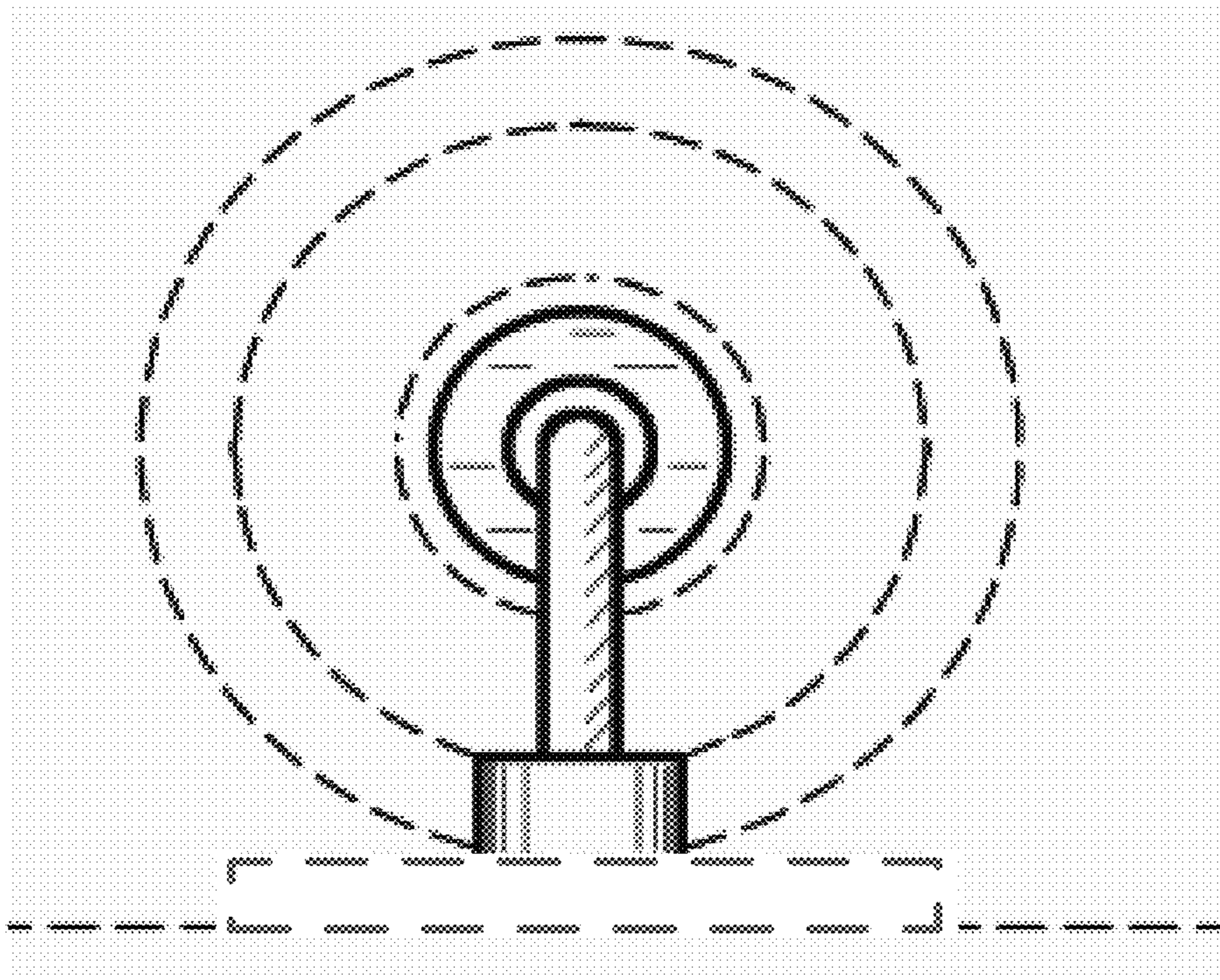


FIG. 7

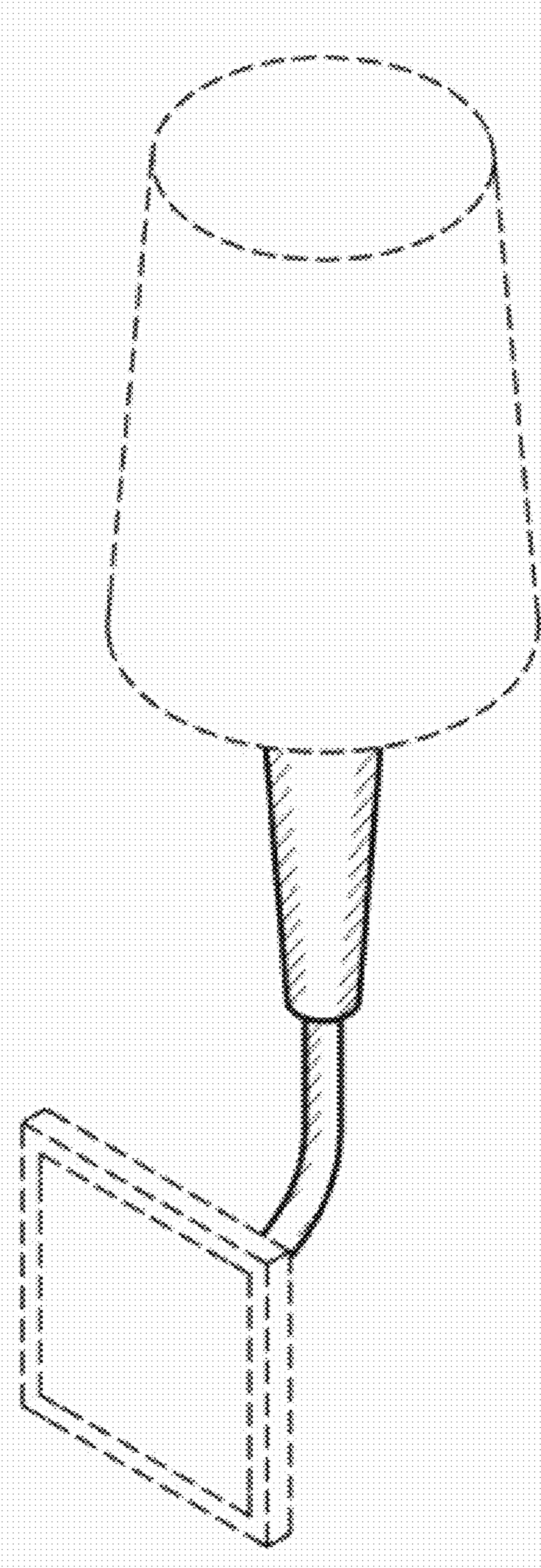


FIG. 8