



US00D830622S

(12) **United States Design Patent** (10) **Patent No.:** **US D830,622 S**  
**Galekop** (45) **Date of Patent:** **\*\* Oct. 9, 2018**

(54) **LUMINAIRE**

3/00; F21V 7/09; F21Y 2101/00; F21Y 2103/10; F21Y 2107/30; F21Y 2115/10

(71) Applicant: **PHILIPS LIGHTING HOLDING B.V.**, Eindhoven (NL)

See application file for complete search history.

(72) Inventor: **Thijmen Galekop**, Amsterdam (NL)

(56) **References Cited**

(73) Assignee: **PHILIPS LIGHTING HOLDING B.V.**, Eindhoven (NL)

U.S. PATENT DOCUMENTS

(\*\*) Term: **15 Years**

(21) Appl. No.: **35/502,405**

(22) Filed: **Jan. 23, 2017**

(80) **Hague Agreement Data**

Int. Filing Date: **Jan. 23, 2017**

Int. Reg. No.: **DM/094452**

Int. Reg. Date: **Jan. 23, 2017**

Int. Reg. Pub. Date: **Feb. 3, 2017**

(30) **Foreign Application Priority Data**

Jul. 29, 2016 (EM) ..... 003323641-0001

(51) **LOC (11) Cl.** ..... **26-03**

(52) **U.S. Cl.**  
USPC ..... **D26/118**

(58) **Field of Classification Search**  
USPC ..... D26/20, 24, 27, 30, 31, 32, 25, 35, 36,  
D26/42, 46, 55, 60-66, 69, 70, 72, 78,  
D26/80, 85, 92, 101, 110, 109, 113,  
D26/118-120, 123, 124, 127, 133, 134,  
D26/139; D7/416; D10/111-115;  
D11/144; D13/134, 158-178; D14/473;  
D25/126-135; D99/99  
CPC .... F21K 9/135; F21K 9/27; F21S 8/02; F21V

D67,927 S *	8/1925	Kent	.....	D26/36
D399,584 S *	10/1998	Giese	.....	D26/63
D399,585 S *	10/1998	Giese	.....	D26/63
D435,925 S *	1/2001	Hiller	.....	D26/63
D438,320 S *	2/2001	Tang	.....	D26/63
D463,048 S *	9/2002	Scott	.....	D26/28
D479,623 S *	9/2003	Fu	.....	D26/118
D507,668 S *	7/2005	Kwong	.....	D26/24
D509,842 S *	9/2005	Ou	.....	D16/202
D585,588 S *	1/2009	Alexander	.....	D26/118
D586,497 S *	2/2009	Wu	.....	D26/118
D586,498 S *	2/2009	Wu	.....	D26/118
D589,191 S *	3/2009	Sabernig	.....	D26/63
D589,636 S *	3/2009	Pinette	.....	D26/63
D616,587 S *	5/2010	Sabernig	.....	D26/63
D625,871 S *	10/2010	Huang	.....	D26/63
D659,896 S *	5/2012	Gordin	.....	D26/118
D664,287 S *	7/2012	Cegnar	.....	D26/128
D665,527 S *	8/2012	Harger	.....	D26/136
D676,190 S *	2/2013	Guercio	.....	D26/128
D696,452 S *	12/2013	Gordin	.....	D26/118
D705,480 S *	5/2014	Acampora	.....	D26/118
D707,876 S *	6/2014	Reed	.....	D26/118
D712,085 S *	8/2014	Kjaergaard Toft	.....	D26/118

(Continued)

Primary Examiner — Darlington Ly

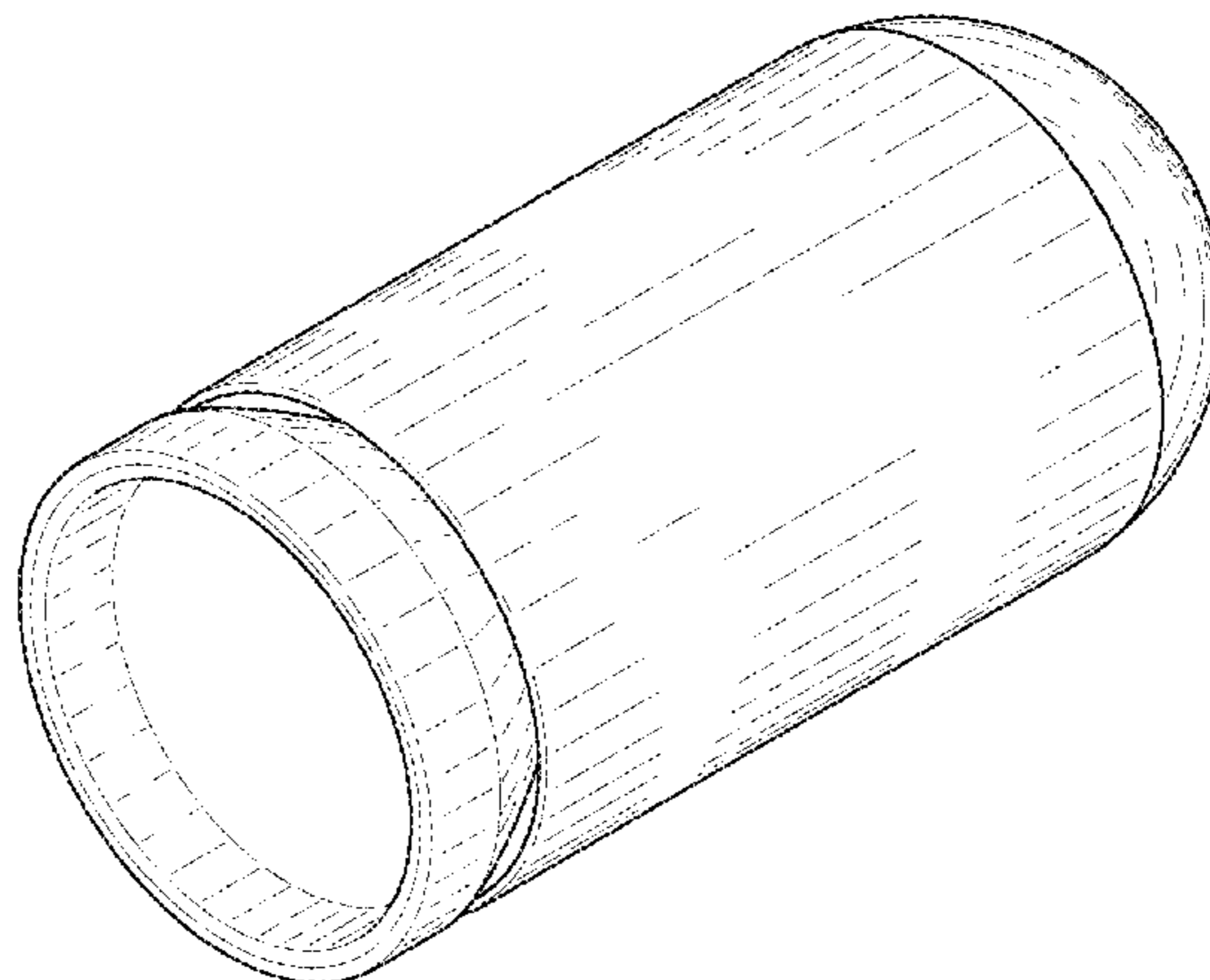
(57) **CLAIM**

The ornamental design for a luminaire, as shown and described.

**DESCRIPTION**

- 1.1 is a front perspective view of a luminaire showing my new design;
- 1.2 is a front elevation view thereof;
- 1.3 is a rear elevation view thereof;
- 1.4 is a right side elevation view thereof; and
- 1.5 is a left side elevation view thereof.

(Continued)



The broken lines in the reproductions illustrate portions of the luminaire that form no part of the claimed design.

**1 Claim, 3 Drawing Sheets**

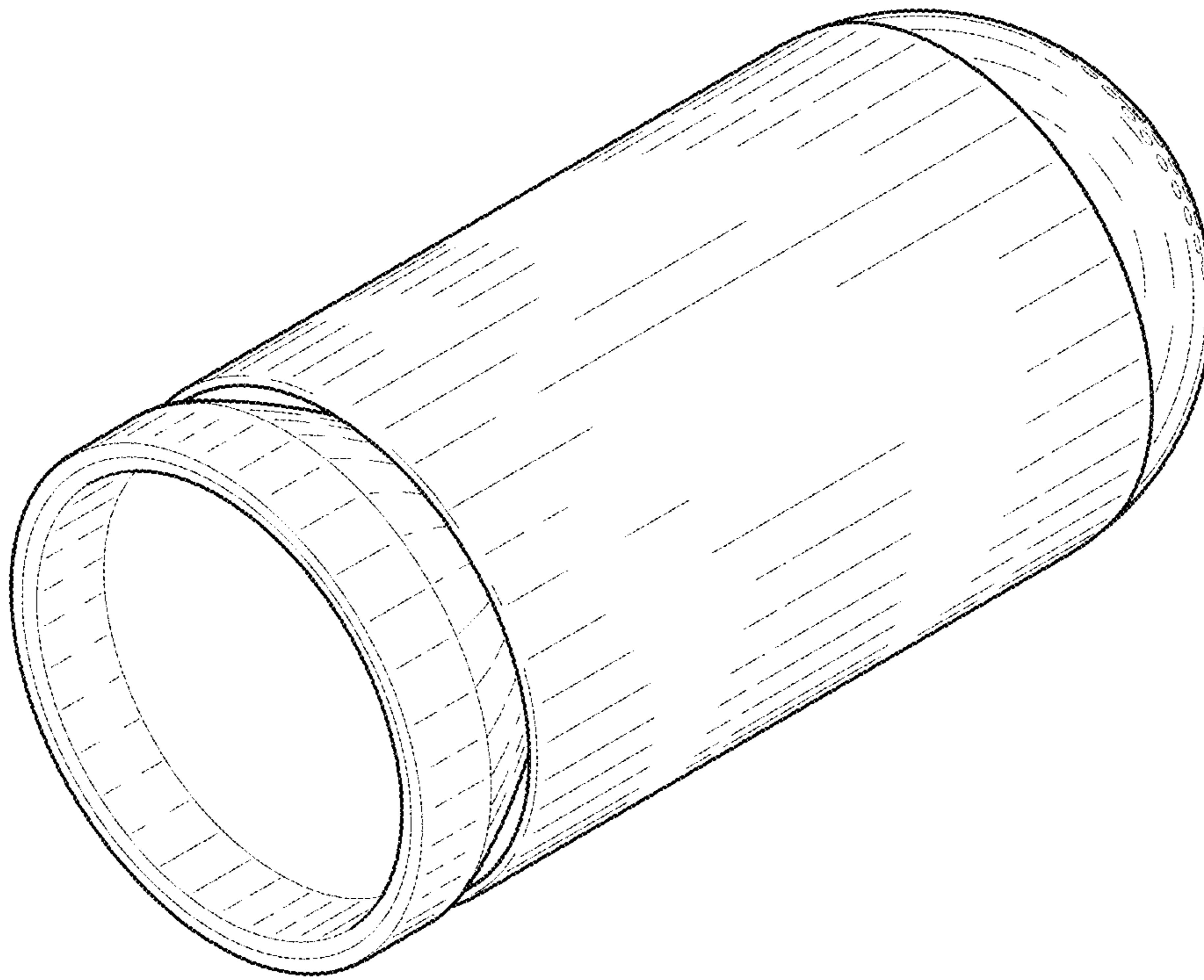
(56)

**References Cited**

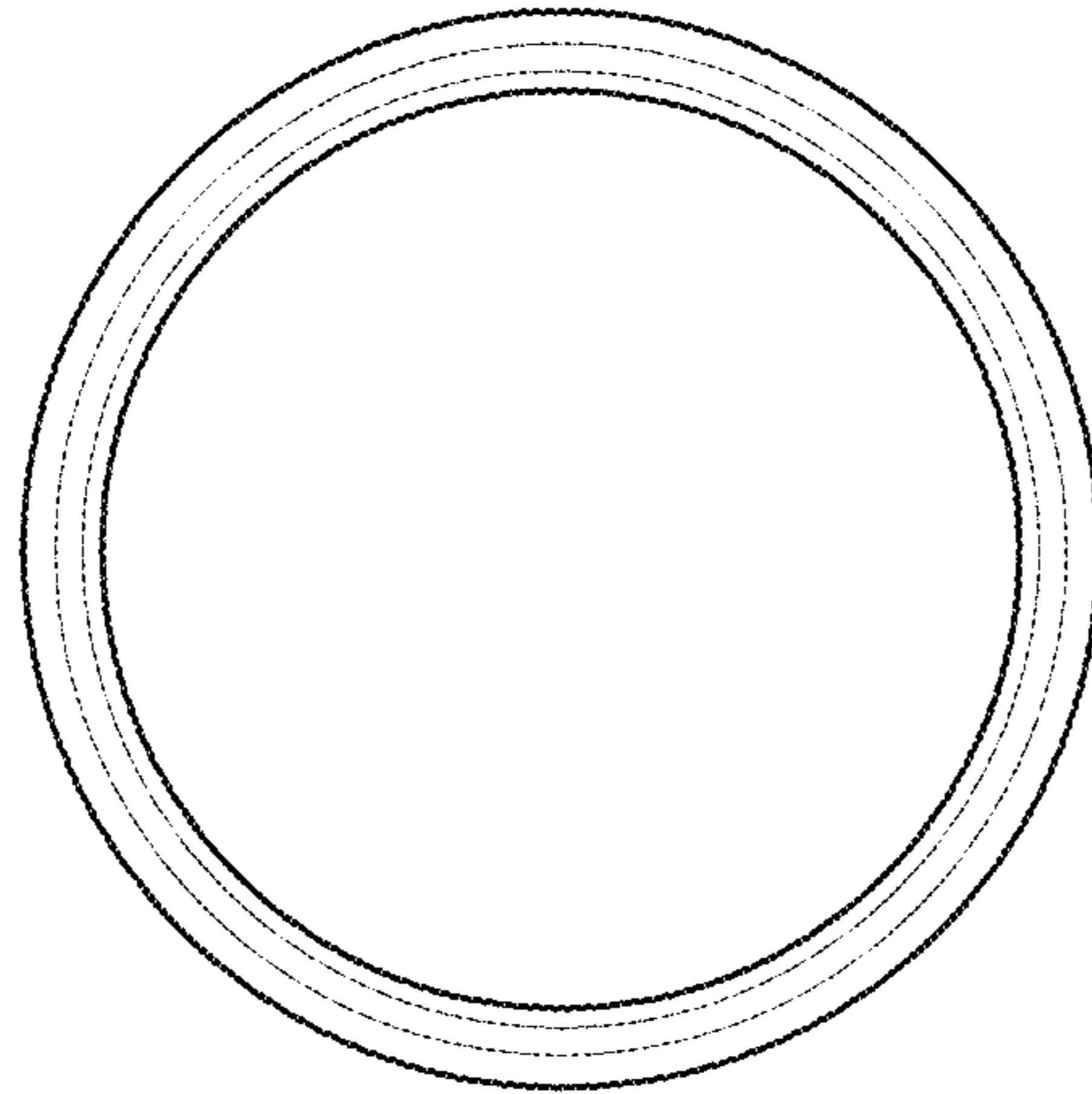
U.S. PATENT DOCUMENTS

D713,594 S *	9/2014	Norris .....	D26/118
D714,991 S *	10/2014	Norris .....	D26/118
D718,489 S *	11/2014	Wronski .....	D26/118
D754,241 S *	4/2016	Ferro .....	D16/239
D756,027 S *	5/2016	Hamasaki .....	D26/138
D774,242 S *	12/2016	Meise .....	D26/113
D778,973 S *	2/2017	Lee .....	D16/202
D790,100 S *	6/2017	Jadhav .....	D26/63
D792,637 S *	7/2017	Godlewski .....	D26/118
D794,858 S *	8/2017	Ferlauto .....	D26/63
D794,860 S *	8/2017	Khubani .....	D26/118
9,752,761 B2 *	9/2017	Lentine .....	F21V 21/0824
D800,373 S *	10/2017	Soni .....	D26/118
D800,938 S *	10/2017	Guercio .....	D26/63
D801,574 S *	10/2017	Amato .....	D26/118
D804,083 S *	11/2017	Lentine .....	D26/118
9,869,459 B2 *	1/2018	Lentine .....	F21V 21/0824

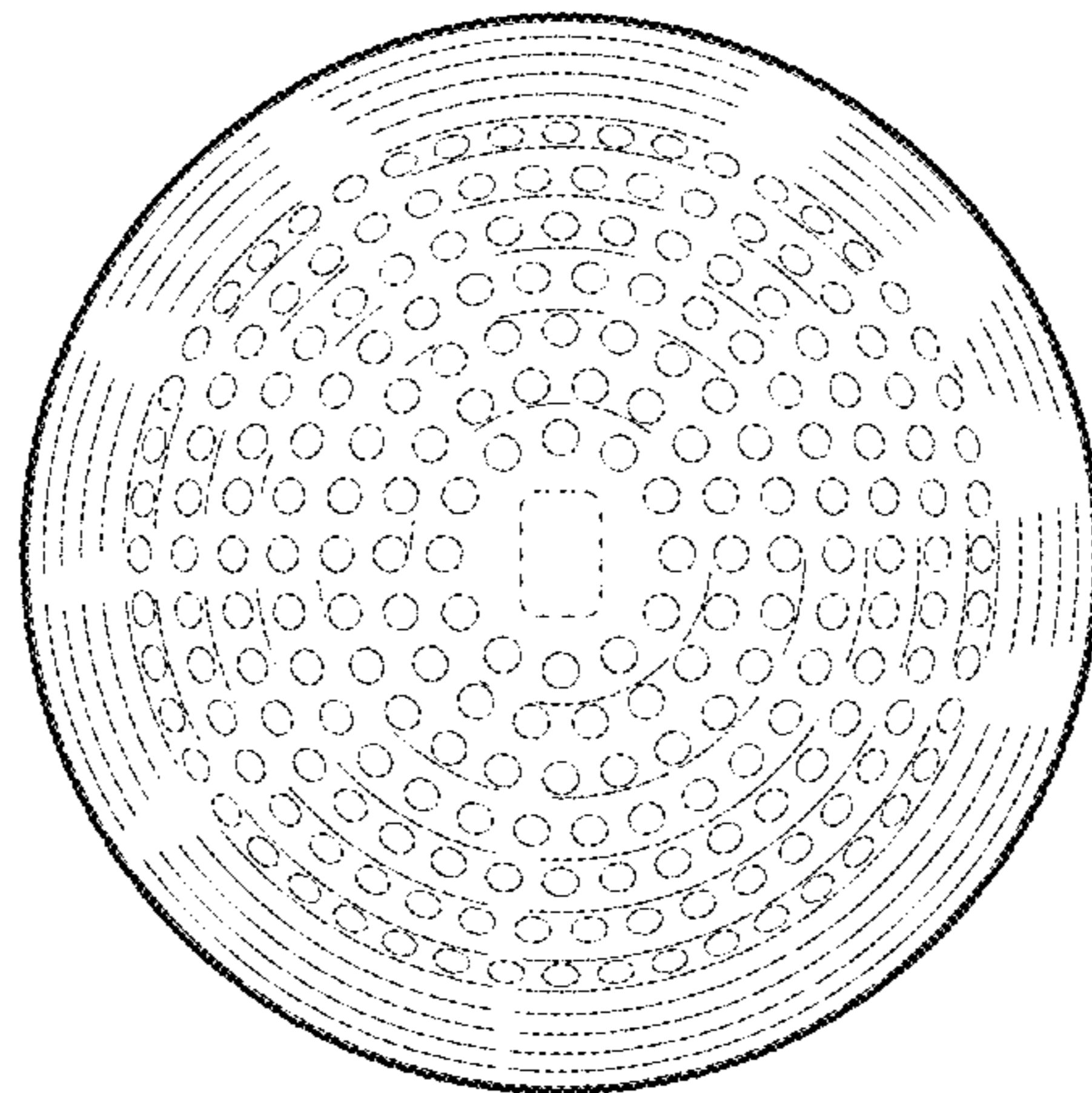
\* cited by examiner



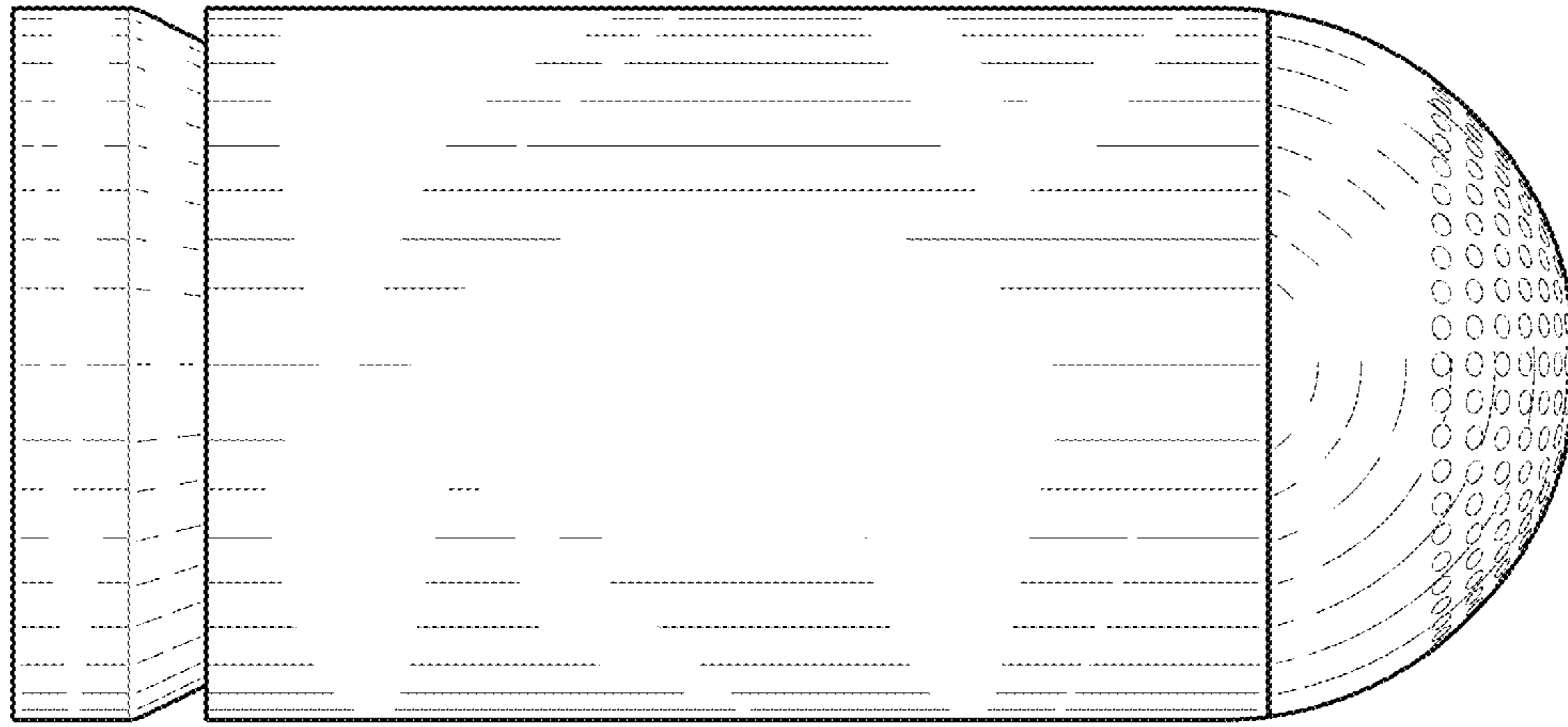
1.1



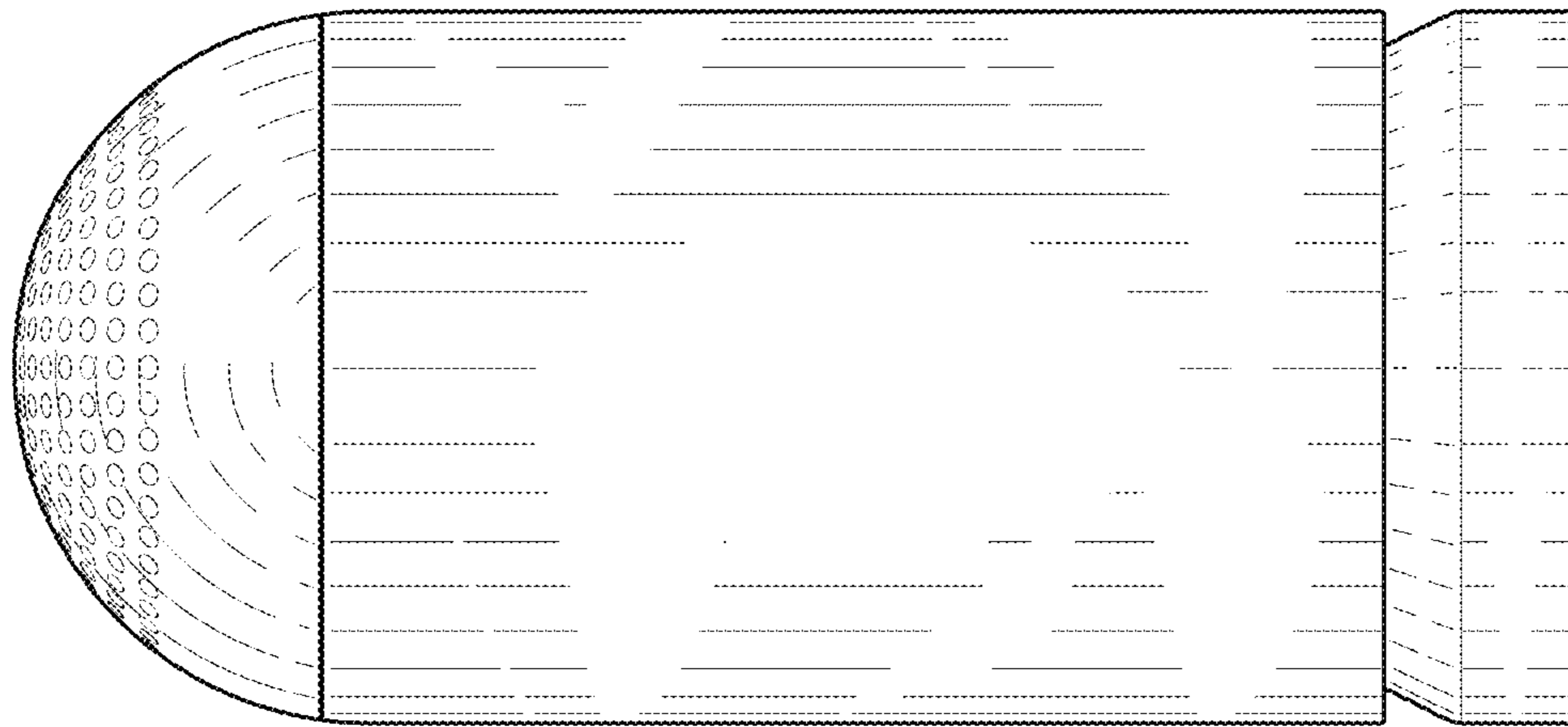
1.2



1.3



1.4



1.5