



US00D830621S

(12) **United States Design Patent** (10) **Patent No.:** **US D830,621 S**  
**Jadhav et al.** (45) **Date of Patent:** **\*\* Oct. 9, 2018**

(54) **LIGHT PROJECTOR**

(71) Applicant: **E. Mishan & Sons, Inc.**, New York, NY (US)  
(72) Inventors: **Rajesh Jadhav**, Shenzhen (CN); **Fred Hollinger**, Monroe Township, NJ (US)  
(73) Assignee: **E. MISHAN & SONS, INC.**, New York, NY (US)

D766,483 S 9/2016 Khubani et al.  
D773,707 S 12/2016 Lentine  
D778,478 S \* 2/2017 Khubani ..... D26/63  
D794,860 S 8/2017 Khubani et al.  
D799,731 S \* 10/2017 Jadhav ..... D26/63  
D810,983 S \* 2/2018 Waldmann ..... D26/63  
D816,890 S \* 5/2018 Khubani ..... D26/118  
2010/0118536 A1 5/2010 Johnson  
2017/0045208 A1 2/2017 Lentine  
2017/0191630 A1 7/2017 Lentine  
2017/0191644 A1 7/2017 Khubani

(\*\*) Term: **15 Years**

(21) Appl. No.: **29/645,225**

(22) Filed: **Apr. 24, 2018**

**Related U.S. Application Data**

(62) Division of application No. 29/615,554, filed on Aug. 30, 2017.

(51) **LOC (11) Cl.** ..... **26-99**

(52) **U.S. Cl.**  
USPC ..... **D26/118**

(58) **Field of Classification Search**  
USPC ..... D26/1, 24, 61, 63, 65, 85, 92, 118  
CPC ..... F21V 21/14; F21V 15/01; F21V 14/02;  
F21V 21/30; F21V 21/00; F21V 14/00;  
F21S 8/00; F21S 8/003; F21S 8/043;  
F21Y 2105/001

See application file for complete search history.

(56) **References Cited**

**U.S. PATENT DOCUMENTS**

5,599,091 A 2/1997 Kira  
7,182,472 B2 2/2007 Vitantonio et al.  
7,357,520 B2 4/2008 Vitantonio et al.  
RE41,050 E 12/2009 Panasewicz et al.  
D625,871 S \* 10/2010 Huang ..... D26/63  
D745,202 S \* 12/2015 Guercio ..... D26/63

**OTHER PUBLICATIONS**

US 9,683,727, 06/2017, Lentine (withdrawn)  
HBLED10A—RAB Lighting—<https://www.rabweb.com/product.php?product=HBLED10A>.  
RAB Lighting HBLED10A LFLOOD 10W Cool LED Bullet W/ Hood & Lens Bronze—<http://www.bonanza.com/listings/Rab-Lighting-Hbled10-A-Lflood-10-W-Cool-Led-Bullet-W-H> . . . .

(Continued)

*Primary Examiner* — Brian N. Vinson

(74) *Attorney, Agent, or Firm* — Notaro, Michalos & Zaccaria P.C.

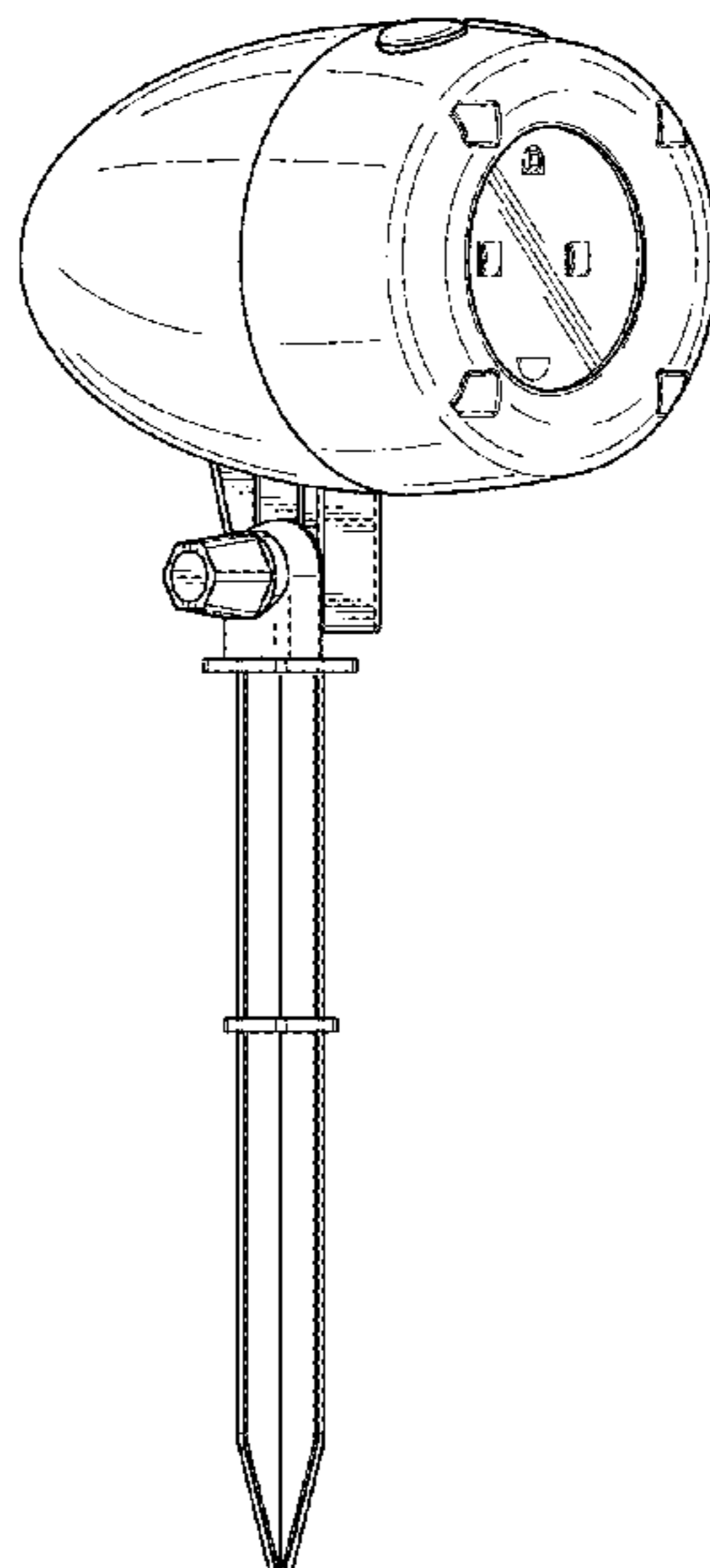
(57) **CLAIM**

The ornamental design for a light projector, as shown and described.

**DESCRIPTION**

FIG. 1 is a front, right perspective view of a light projector showing the design therefor;  
FIG. 2 is a front elevational view thereof;  
FIG. 3 is a rear elevational view thereof;  
FIG. 4 is a left side elevational view thereof;  
FIG. 5 is a right side elevational view thereof;  
FIG. 6 is a top plan view thereof; and,  
FIG. 7 is a bottom plan view thereof.

**1 Claim, 6 Drawing Sheets**



(56)

**References Cited**

## OTHER PUBLICATIONS

Hubbell Lighting Hubbell Outdoor lighting 309-M51-ML Incandescent Bullet Lamp Holder Bronze—<http://www.sears.com/hubbell-lighting-hubbell-outdoor-lighting-309-m51-ml/p-SPM119167834>.

Pepnice Pepnice Red and Green Firefly Laser Light Sparkling Landscape Projector with Remote—<http://www.sears.com/pepnice-red-and-green-firefly-laser-light/p-SPM10715268325?prdNo=. . .>  
Landscape Bullets—[www-1000bulbs-com-category-landscape-bullets-1463066444991](http://www-1000bulbs-com-category-landscape-bullets-1463066444991).

PAR38 Line Voltage Landscape Bullet Spotlight—[www-pegasuslighting-com-landscape-lighting-par38-line-voltage-landscape-bullet-spotlight-html](http://www-pegasuslighting-com-landscape-lighting-par38-line-voltage-landscape-bullet-spotlight-html).

Viatek LL03-RG-R Night Stars Premium Landscape Lighting Wah Remote . . .—[www-bhg-com-shop-viatek-viatek-1103-rg-r-night-stars-premium-landscape-lighting-with-remote-red-green](http://www-bhg-com-shop-viatek-viatek-1103-rg-r-night-stars-premium-landscape-lighting-with-remote-red-green).

Vista Pro 1001 Up and Accent Lights, Line Voltage 120-volt, LED Capable—[www-evergreensprinklers-com-vista\\_pro-1001-up-and-accent-lights-line-voltage-120-volt-led-capable-html](http://www-evergreensprinklers-com-vista_pro-1001-up-and-accent-lights-line-voltage-120-volt-led-capable-html).

Vista Pro 1009 Up and Accent Lights, Line Voltage 120 volt, Short Shroud—[http://www-evergreensprinklers-com/vista\\_pro-1009-up-and-accent-lights-line-voltage-120-volt-led-capable-short-shroud.html](http://www-evergreensprinklers-com/vista_pro-1009-up-and-accent-lights-line-voltage-120-volt-led-capable-short-shroud.html).

Commercial Outdoor LED Flagpole Lighting Fixture—<http://synergylightingusa.com/supply/fixtures/flagpole-lighting/fph-led-13/>.

\* cited by examiner

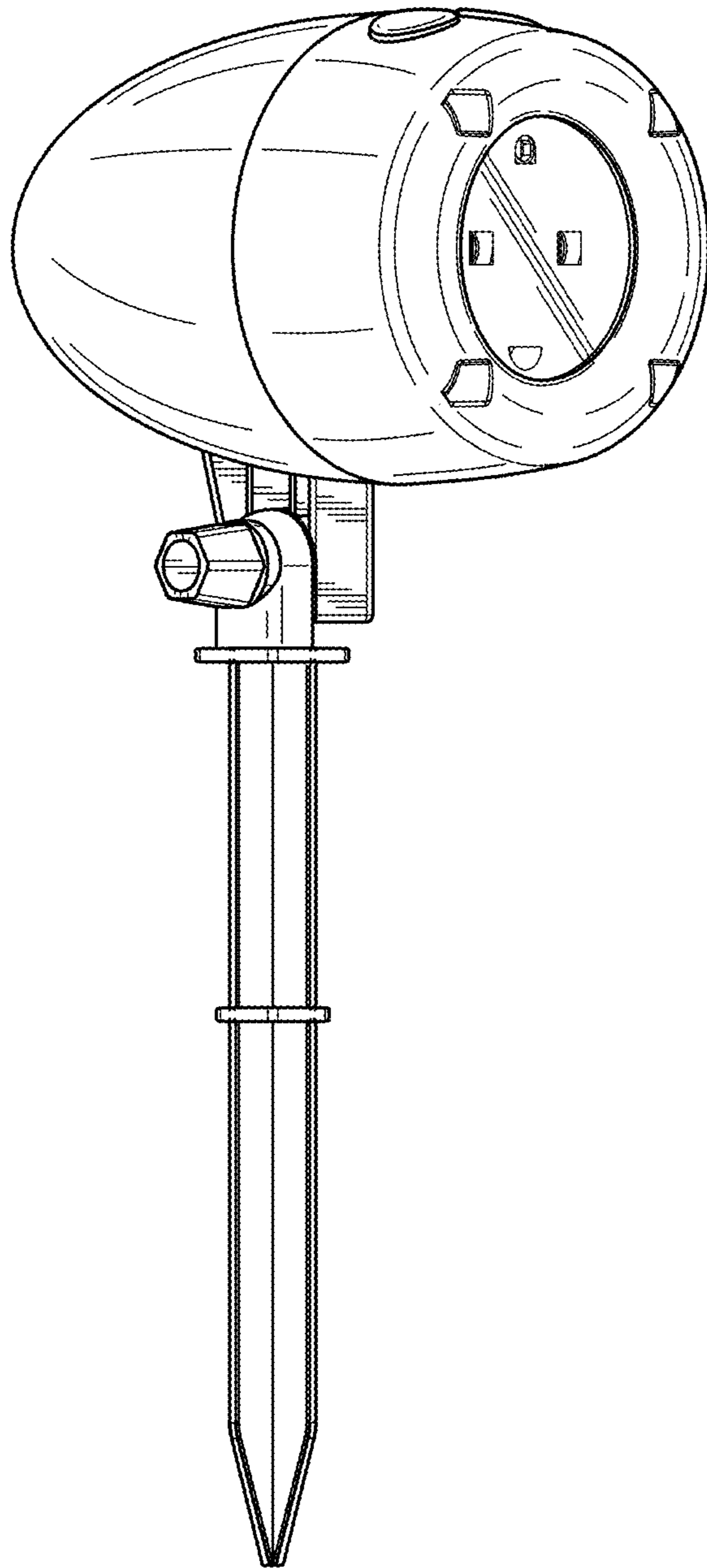


FIG. 1

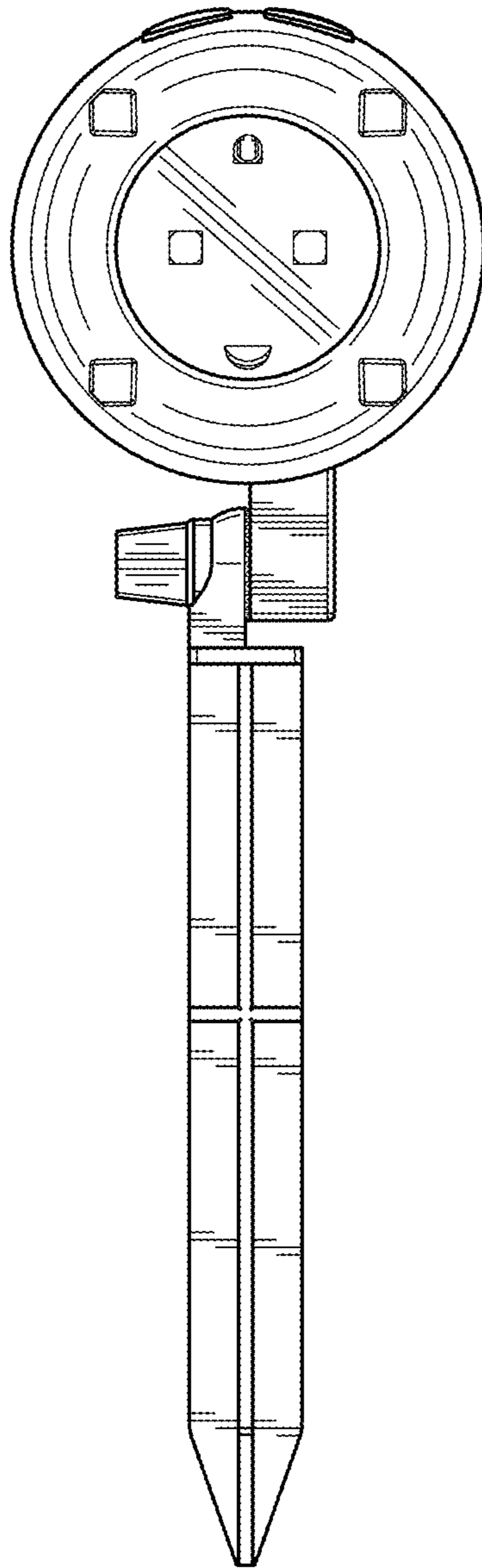


FIG. 2

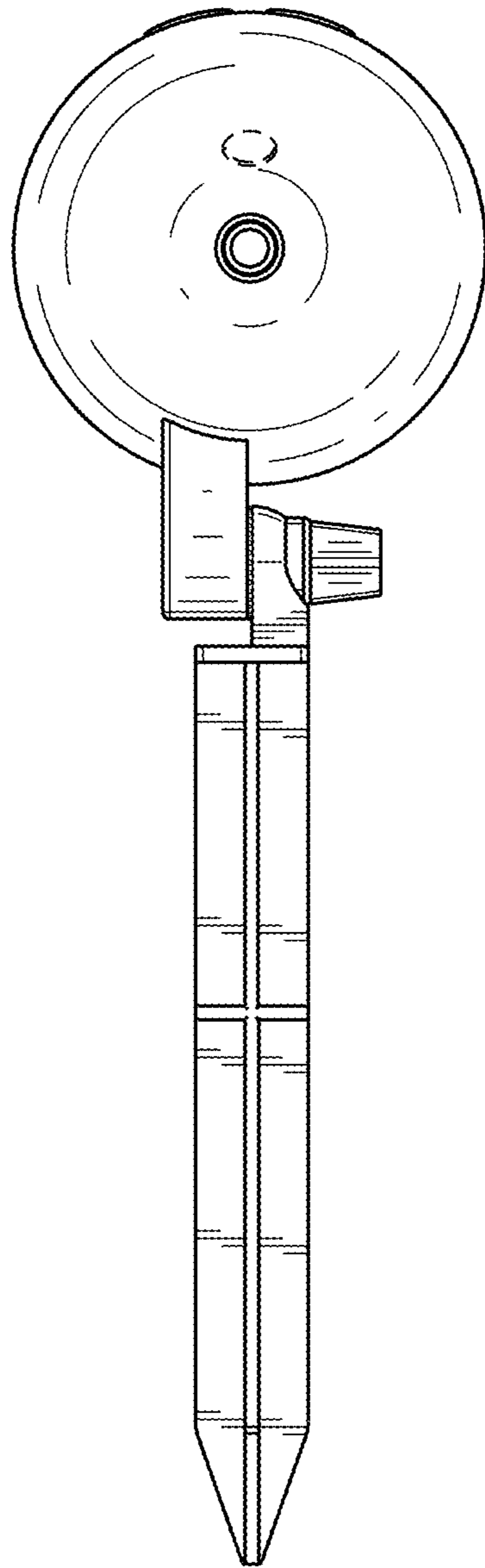


FIG. 3

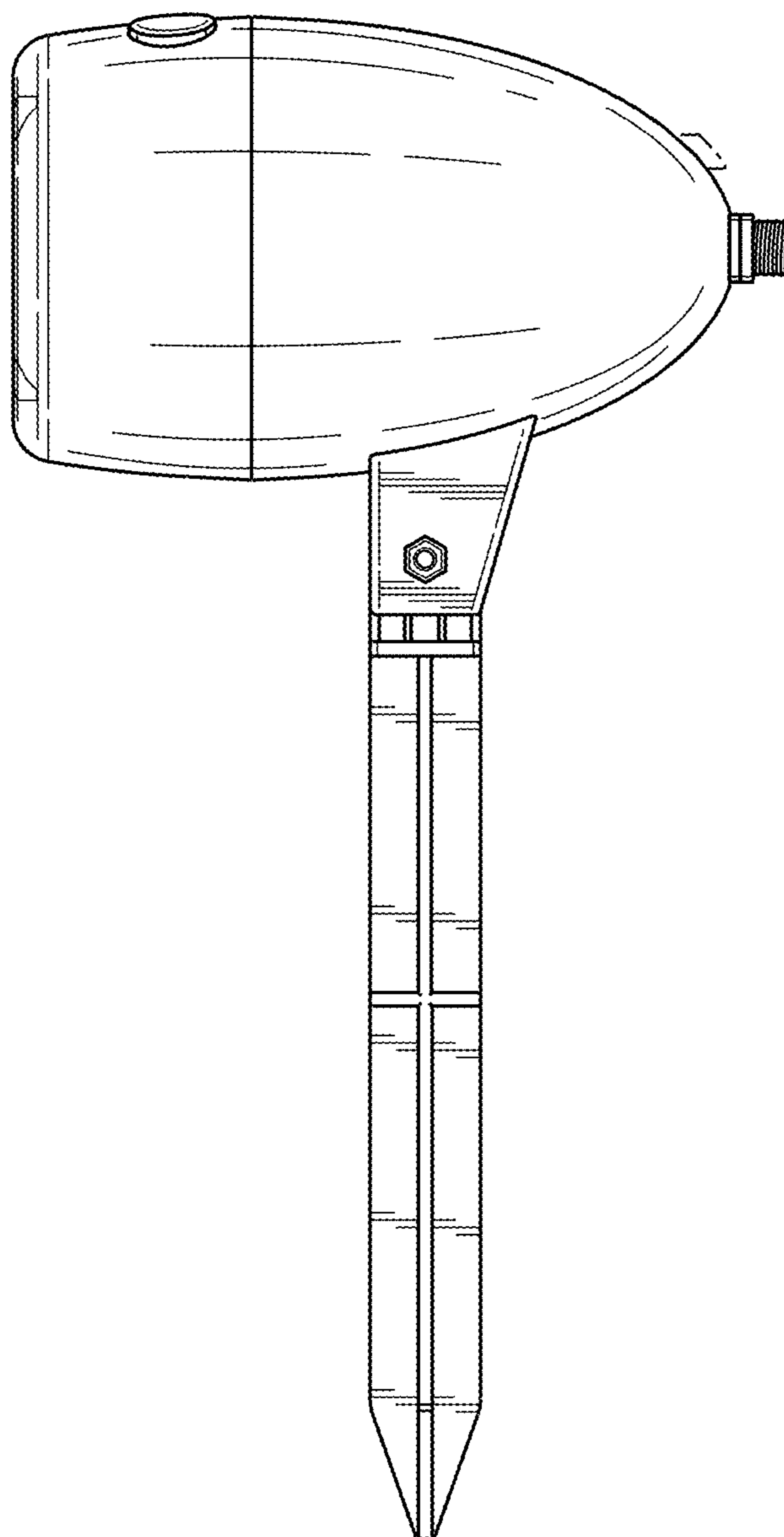


FIG. 4

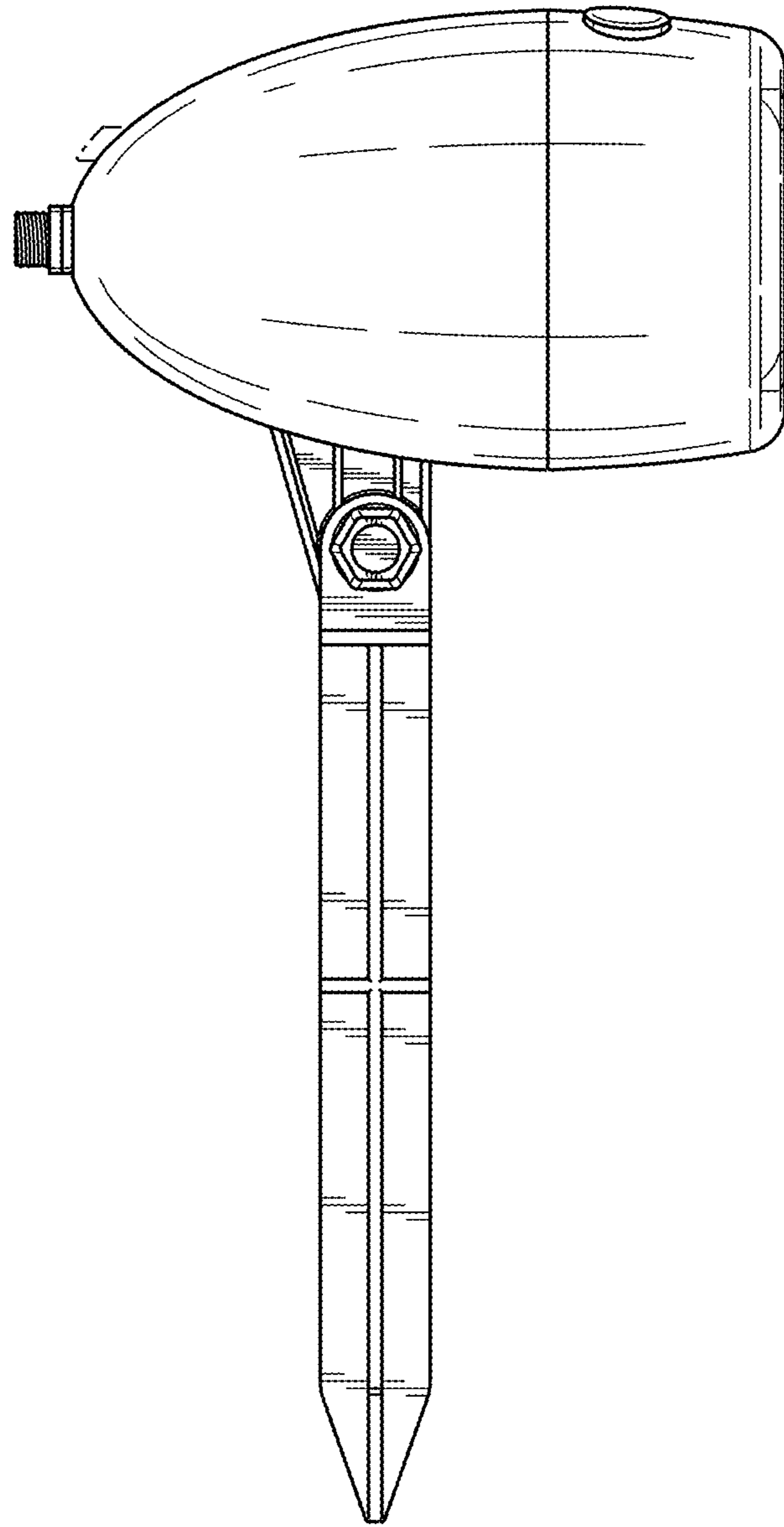


FIG. 5

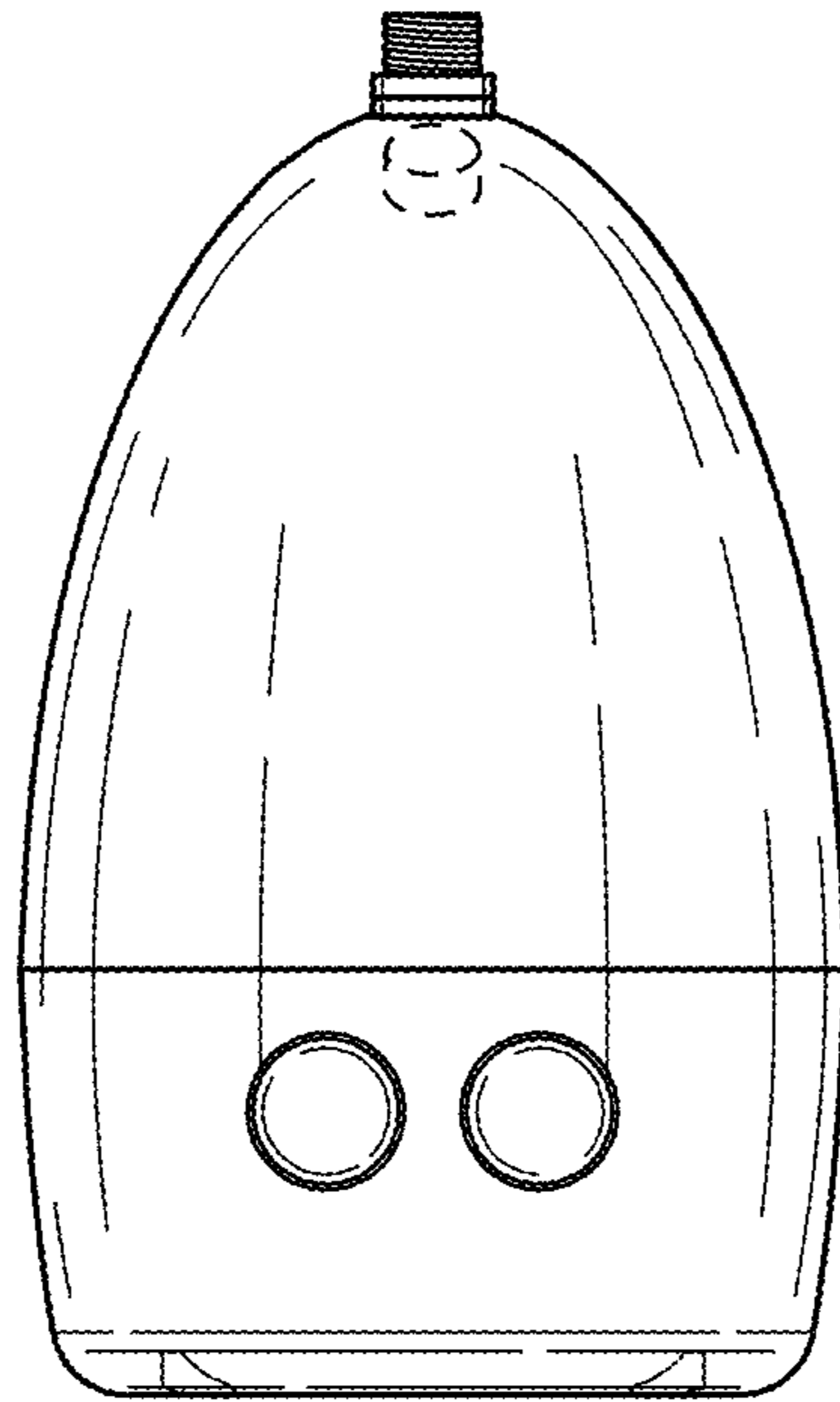


FIG. 6

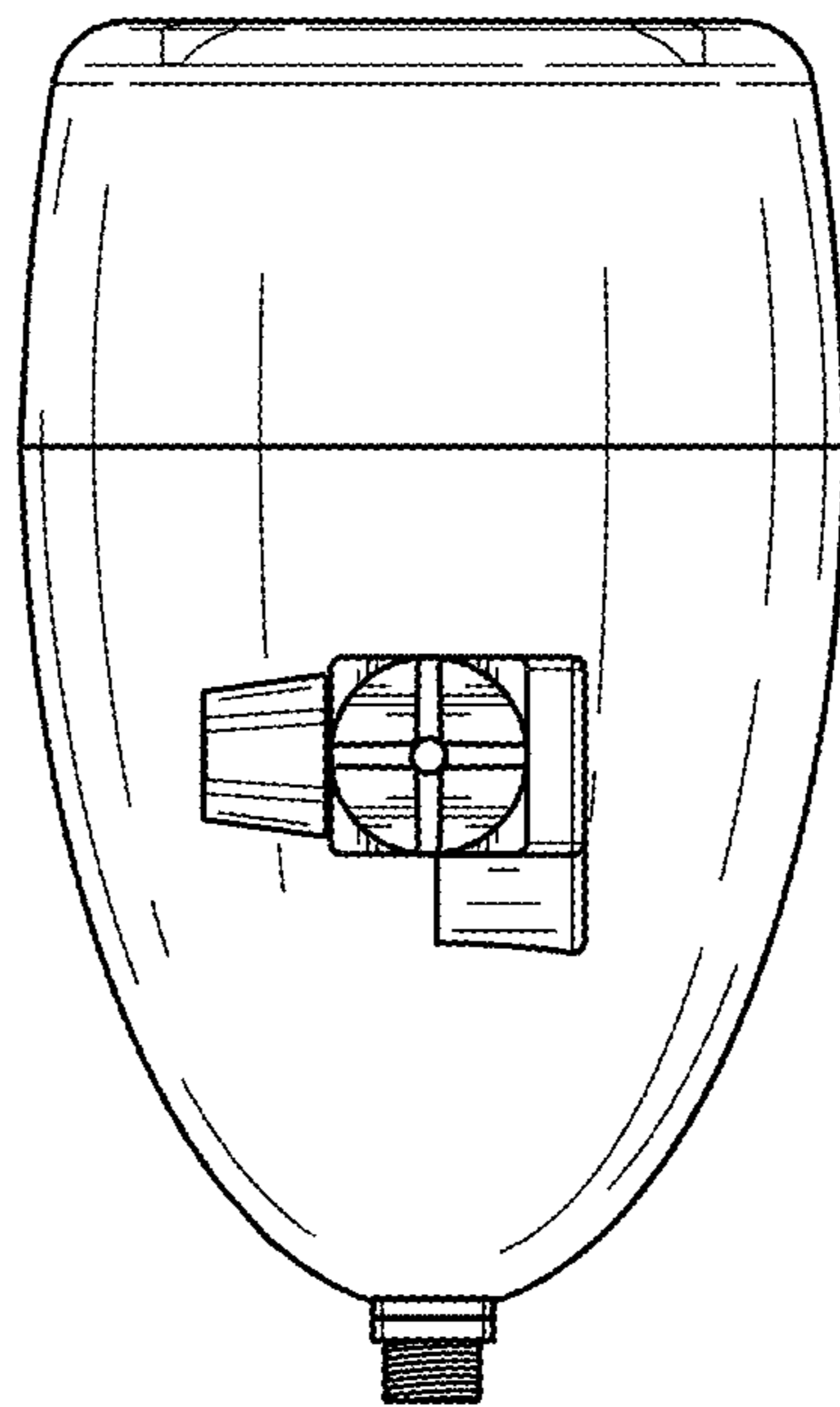


FIG. 7