



US00D830611S

(12) **United States Design Patent** (10) **Patent No.:** **US D830,611 S**
Boissevain et al. (45) **Date of Patent:** **** Oct. 9, 2018**

(54) **PUBLIC LIGHTING FIXTURE**

(71) Applicant: **KONINKLIJKE PHILIPS N.V.**,
Eindhoven (NL)
(72) Inventors: **Christopher Boissevain**, San Marcos,
TX (US); **Mason James Morton**,
Wimberley, TX (US)

(73) Assignee: **PHILIPS LIGHTING HOLDING**
B.V., Eindhoven (NL)

(**) Term: **15 Years**

(21) Appl. No.: **35/501,207**

(22) Filed: **Jan. 11, 2016**

(80) **Hague Agreement Data**

Int. Filing Date: **Jan. 11, 2016**
Int. Reg. No.: **DM/090280**
Int. Reg. Date: **Jan. 11, 2016**
Int. Reg. Pub. Date: **Jul. 15, 2016**

(30) **Foreign Application Priority Data**

Jul. 17, 2015 (EM) 002738633-0001

(51) **LOC (11) Cl.** **26-03**

(52) **U.S. Cl.**
USPC **D26/89**

(58) **Field of Classification Search**
USPC D26/72, 83, 89, 91, 118
CPC F21S 8/04; F21S 8/033; F21S 8/036; F21S
13/02

See application file for complete search history.

(56) **References Cited**

U.S. PATENT DOCUMENTS

D765,903	S	*	9/2016	Zhang	D26/89
D770,076	S	*	10/2016	Li	D26/89
D773,102	S	*	11/2016	Meise	D26/89
D773,103	S	*	11/2016	Recker	D26/89
D776,857	S	*	1/2017	Stolte	D26/89
D779,106	S	*	2/2017	Krueckeberg	D26/89
D780,980	S	*	3/2017	Starck	D26/89
D781,487	S	*	3/2017	Starck	D26/89
D783,883	S	*	4/2017	Cortez	D26/89
D785,848	S	*	5/2017	Couture	D26/89

* cited by examiner

Primary Examiner — Zenia Bennett

(57) **CLAIM**

The ornamental design for a public lighting fixture, as shown and described.

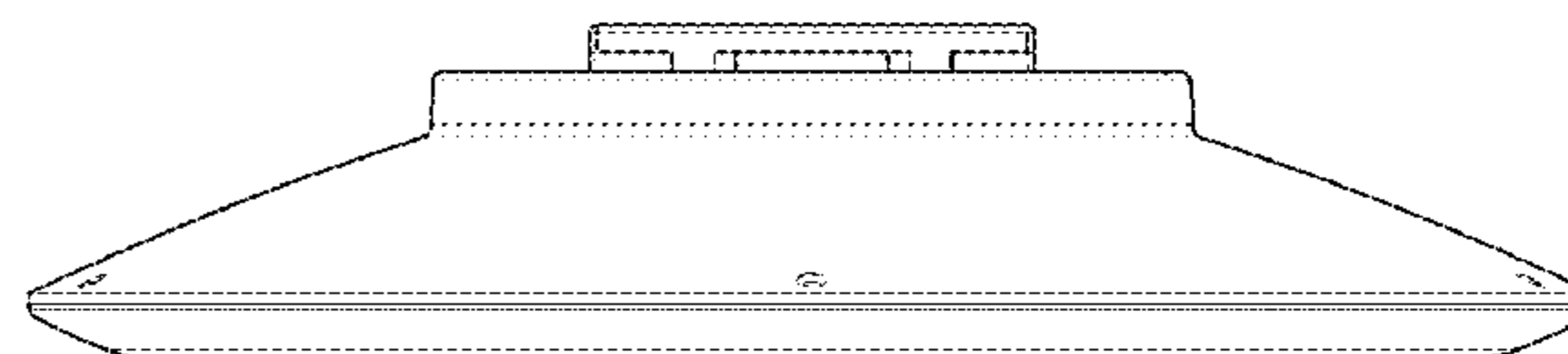
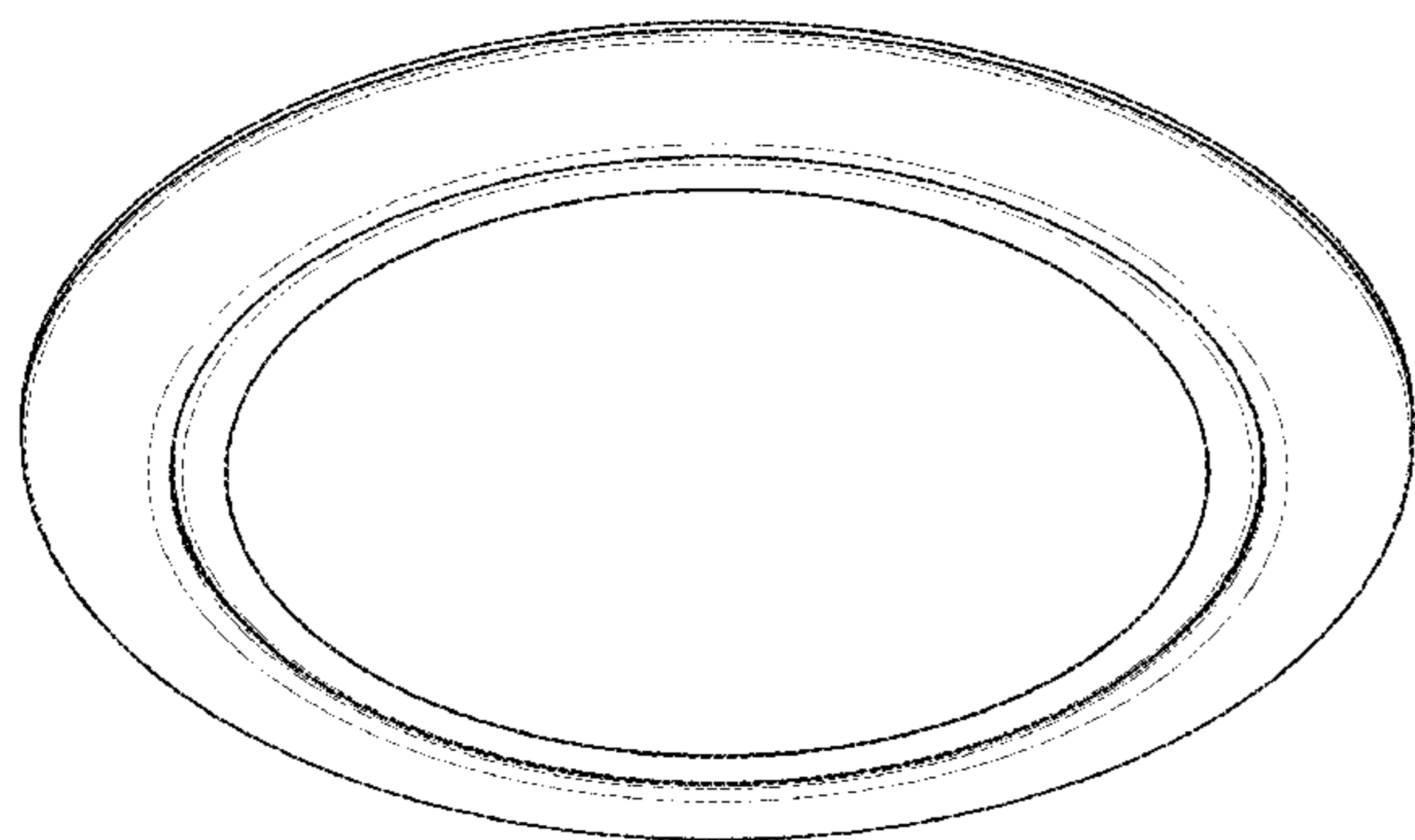
DESCRIPTION

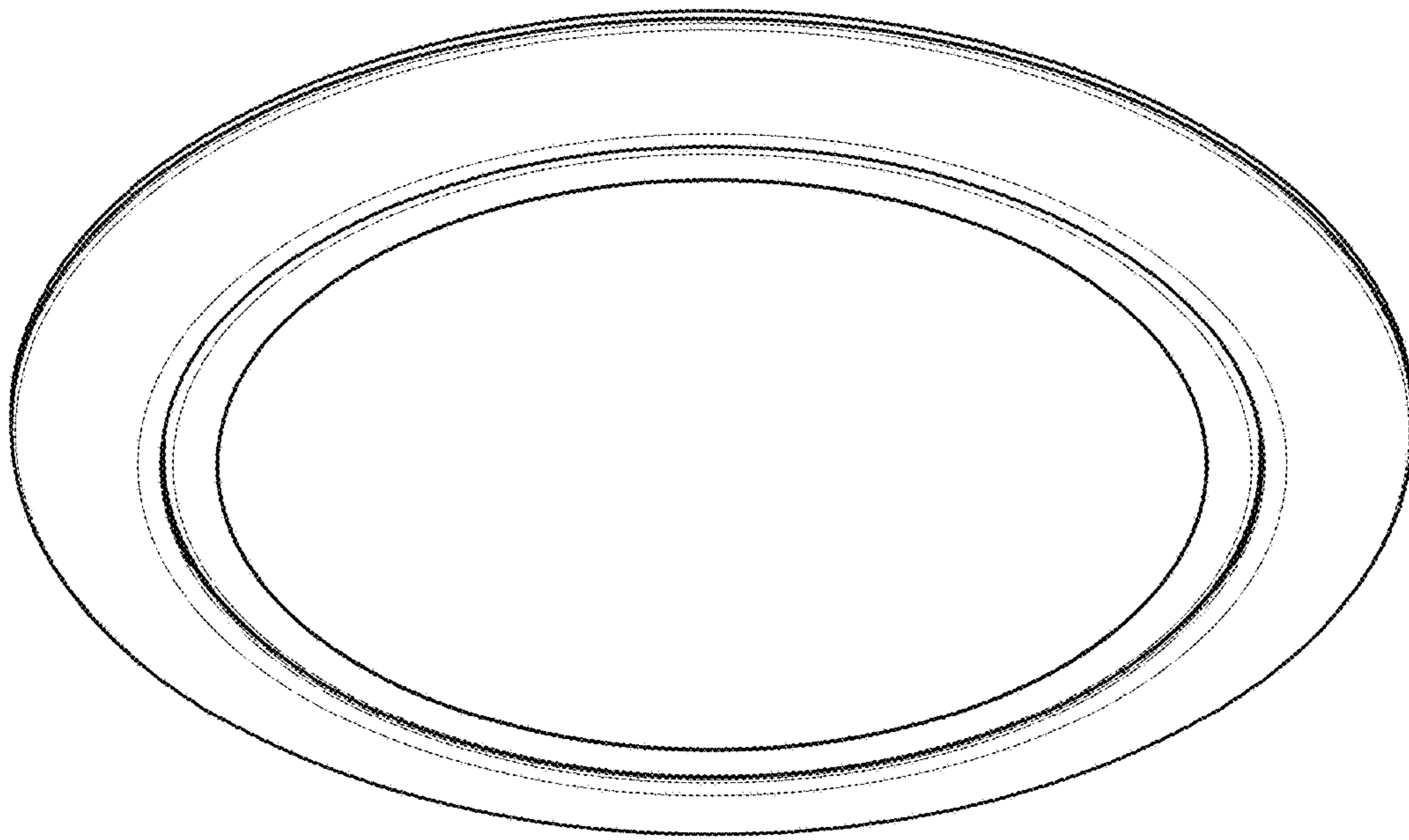
Public lighting fixture

- 1.1 is a front perspective view showing of a public lighting fixture showing our new design;
- 1.2 is a front elevational view thereof;
- 1.3 is a rear elevational view thereof;
- 1.4 is a left side elevational view thereof;
- 1.5 is a right side elevational view thereof;
- 1.6 is a bottom plan view thereof;
- 1.7 is a top plan view thereof.

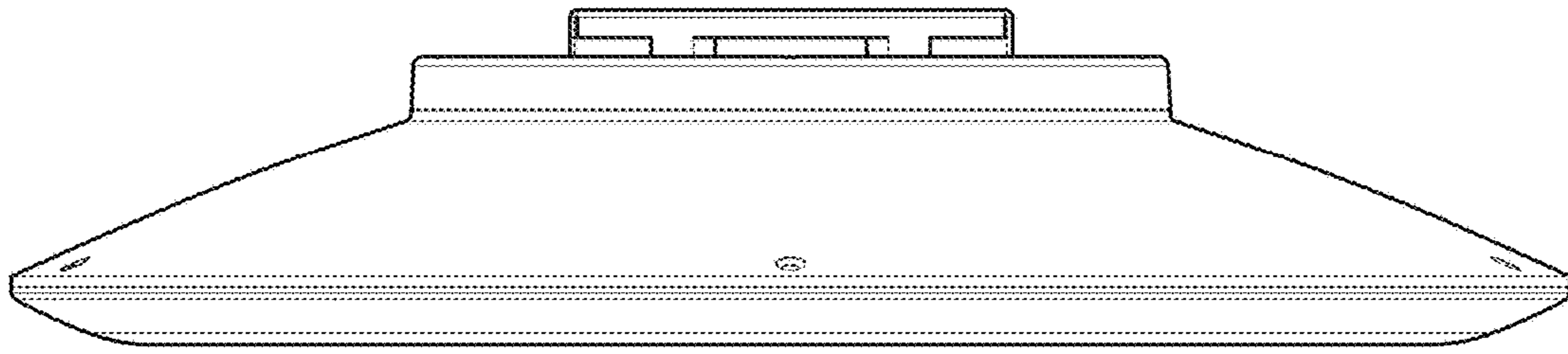
The dash-dot-dash broken lines shown represent the bounds of the claim and forms no part thereof and the dashed broken lines shown therein illustrate portions of the luminaire that form no part of the claimed design.

1 Claim, 4 Drawing Sheets

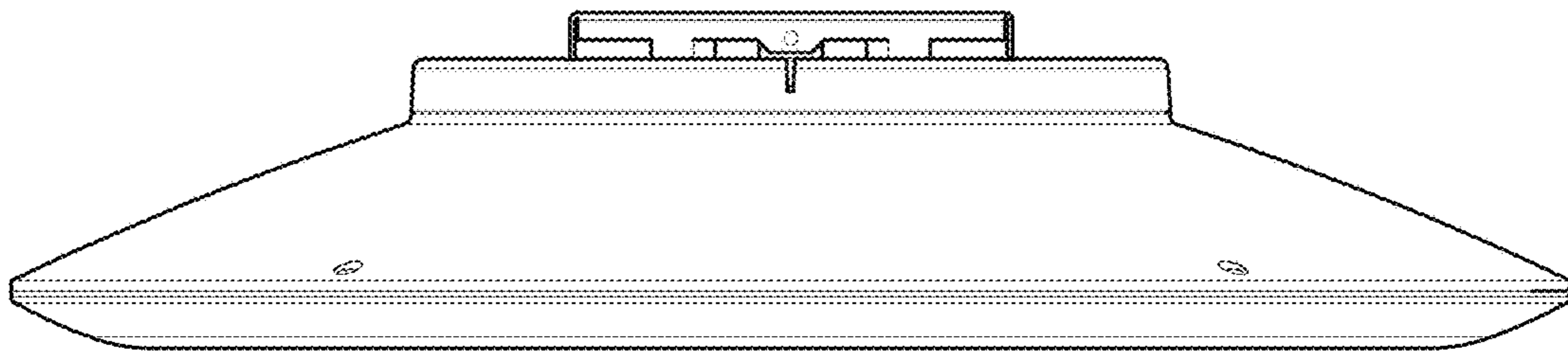




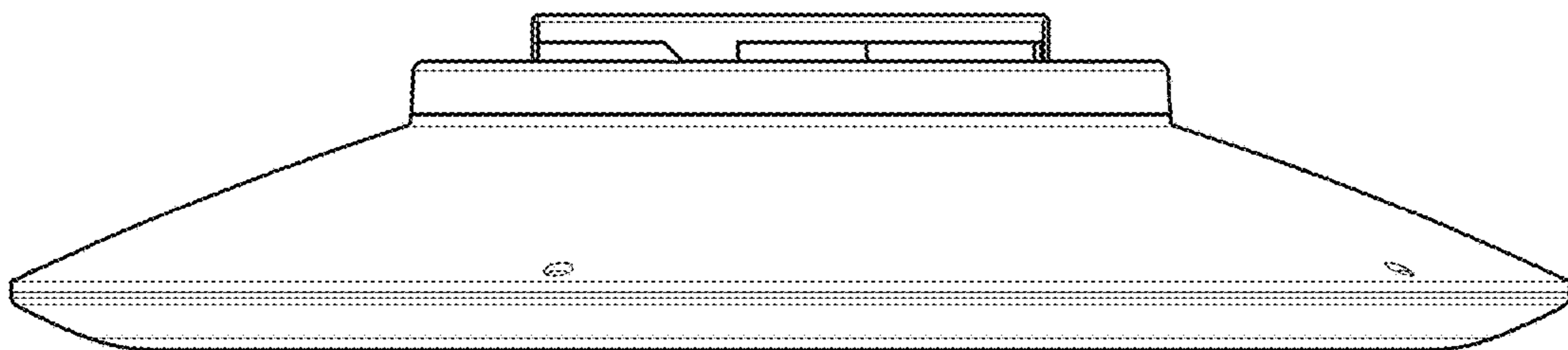
1.1



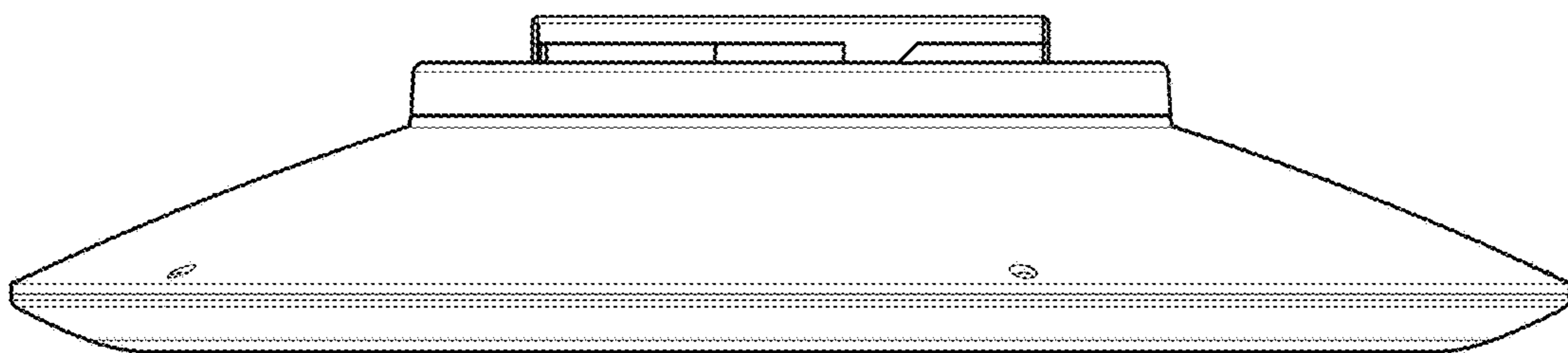
1.2



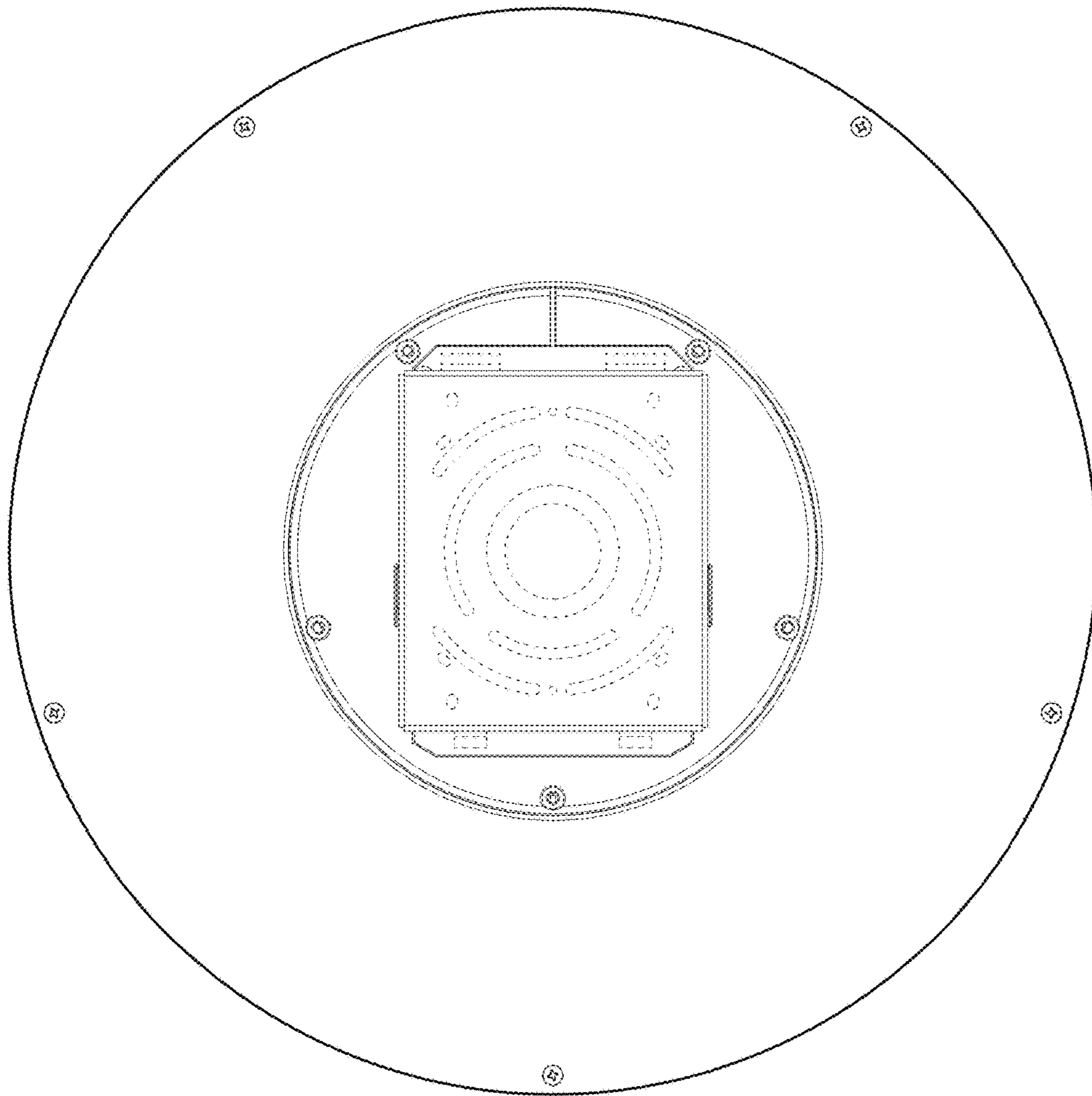
1.3



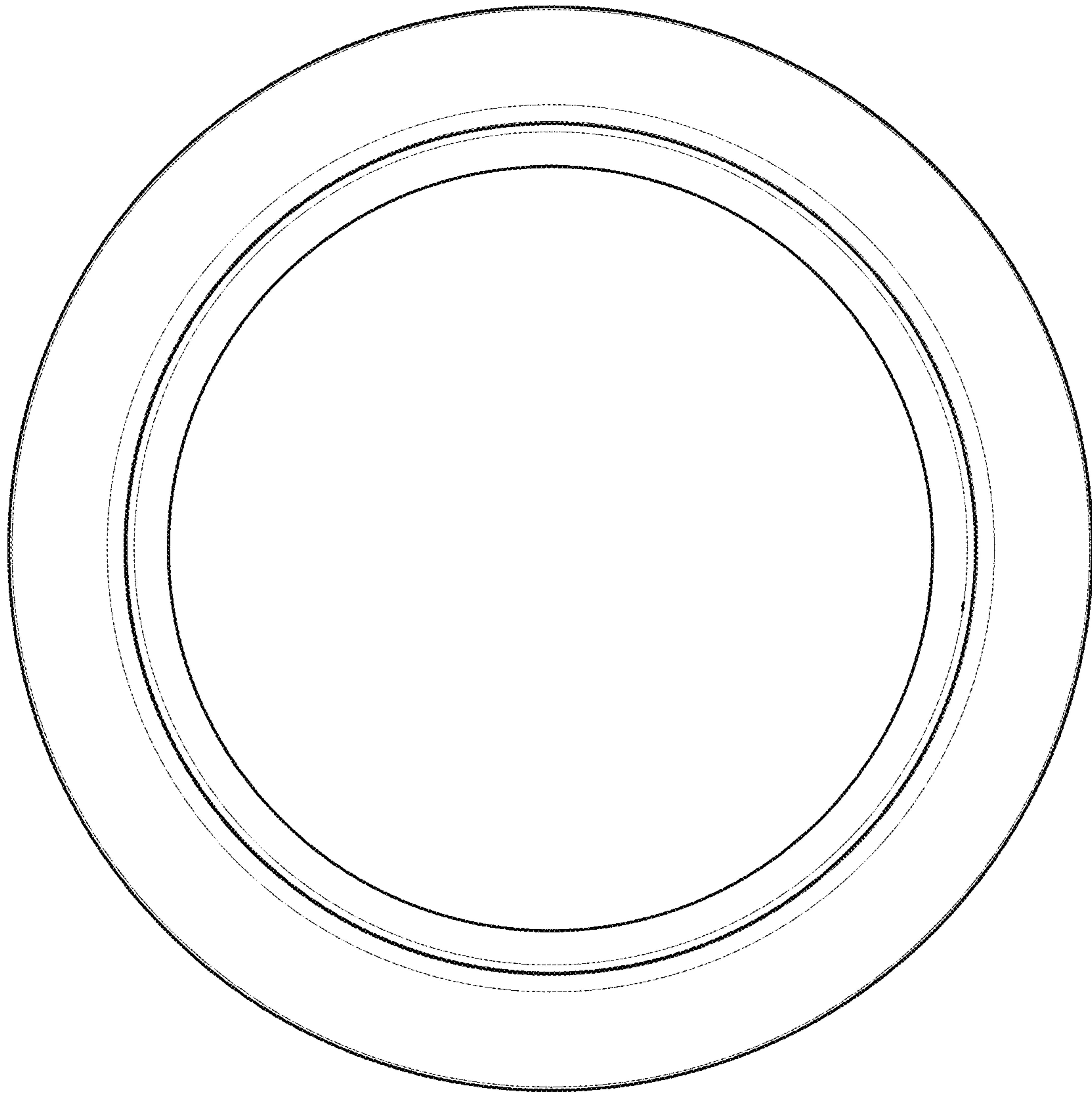
1.4



1.5



1.6



1.7