



US00D830610S

(12) **United States Design Patent**
Amato et al.

(10) **Patent No.:** **US D830,610 S**

(45) **Date of Patent:** **** Oct. 9, 2018**

(54) **LIGHTING FIXTURE**

(71) Applicant: **The Urban Electric Company**, North Charleston, SC (US)

(72) Inventors: **Michael Amato**, Johns Island, SC (US); **David Dawson**, Charleston, SC (US); **Jonathan Charpia**, Summerville, SC (US); **Christopher Roof**, Charleston, SC (US); **Joeangel Casanova**, North Charleston, SC (US); **Brianna Magagnoli**, North Charleston, SC (US); **Janis Golubeckis**, Mount Pleasant, SC (US)

(73) Assignee: **The Urban Electric Company**, North Charleston, SC (US)

(**) Term: **15 Years**

(21) Appl. No.: **29/630,247**

(22) Filed: **Dec. 20, 2017**

(51) **LOC (11) Cl.** **26-83**

(52) **U.S. Cl.**
USPC **D26/87**

(58) **Field of Classification Search**
USPC D26/26, 67, 72, 85, 86, 87, 92
CPC F21S 8/03; F21S 8/033; F21S 8/035; F21S 8/036; F21S 8/037; F21S 8/081; F21S 8/088

See application file for complete search history.

(56) **References Cited**

U.S. PATENT DOCUMENTS

3,321,619 A * 5/1967 Dailey F21S 8/088
362/367
3,366,785 A * 1/1968 Huber, Jr. F21S 8/088
362/310

4,104,712 A * 8/1978 Hafner F21S 8/088
362/218
D333,189 S * 2/1993 Hall D26/67
D427,355 S * 6/2000 Miranda D26/87
D454,652 S * 3/2002 Crelin D26/85
D457,979 S * 5/2002 Chen D26/72
D477,890 S * 7/2003 Cheong D26/67
D483,138 S * 12/2003 Chen D26/67
D694,932 S * 12/2013 Meyer D26/67
D713,587 S * 9/2014 Clark D26/85
D722,719 S * 2/2015 Pyle D26/85
D766,489 S * 9/2016 Moon D26/87

* cited by examiner

Primary Examiner — Clare E Heflin

(74) *Attorney, Agent, or Firm* — Jeffrey T. Stover; Haynsworth Sinkler Boyd, P.A.

(57) **CLAIM**

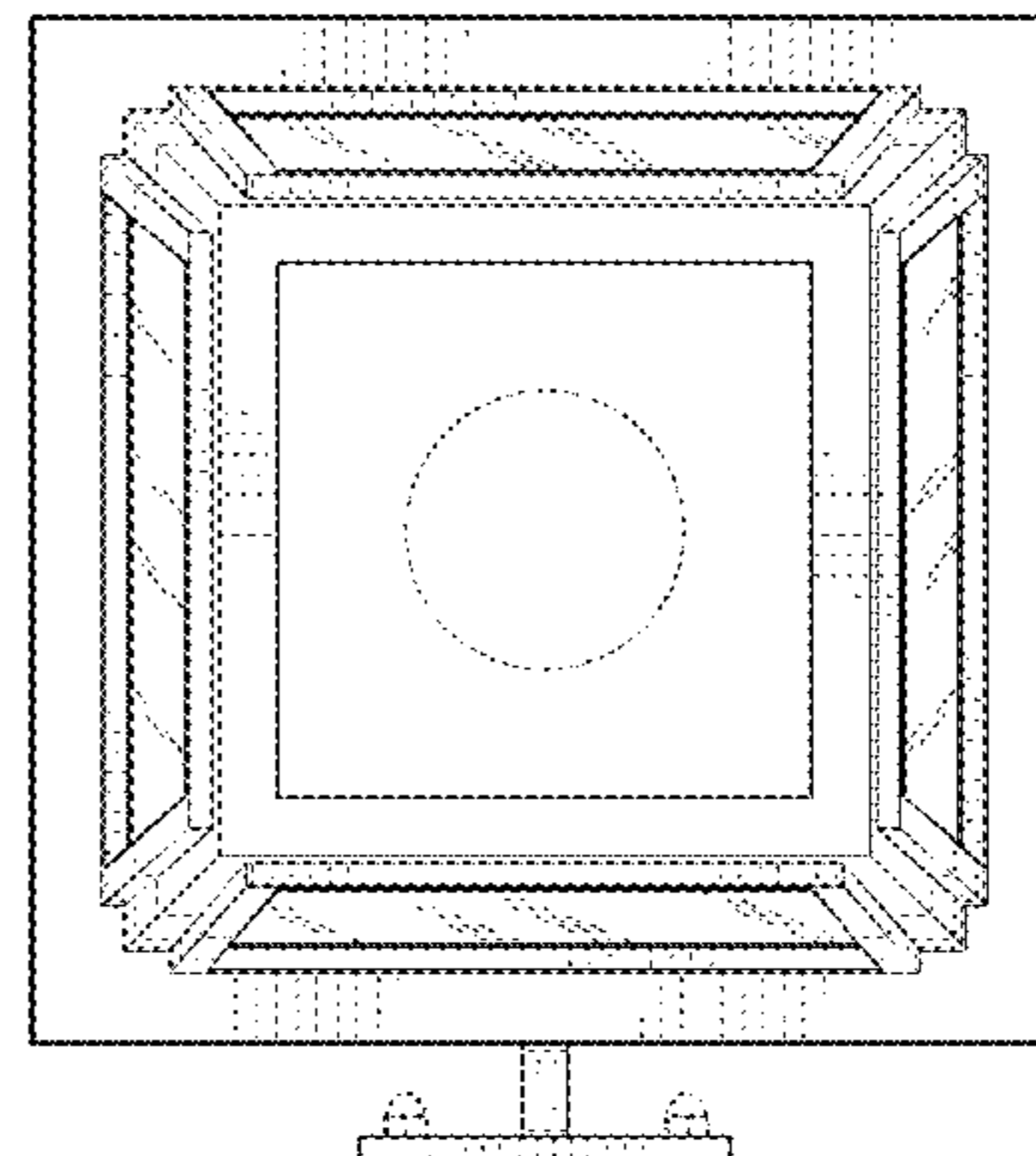
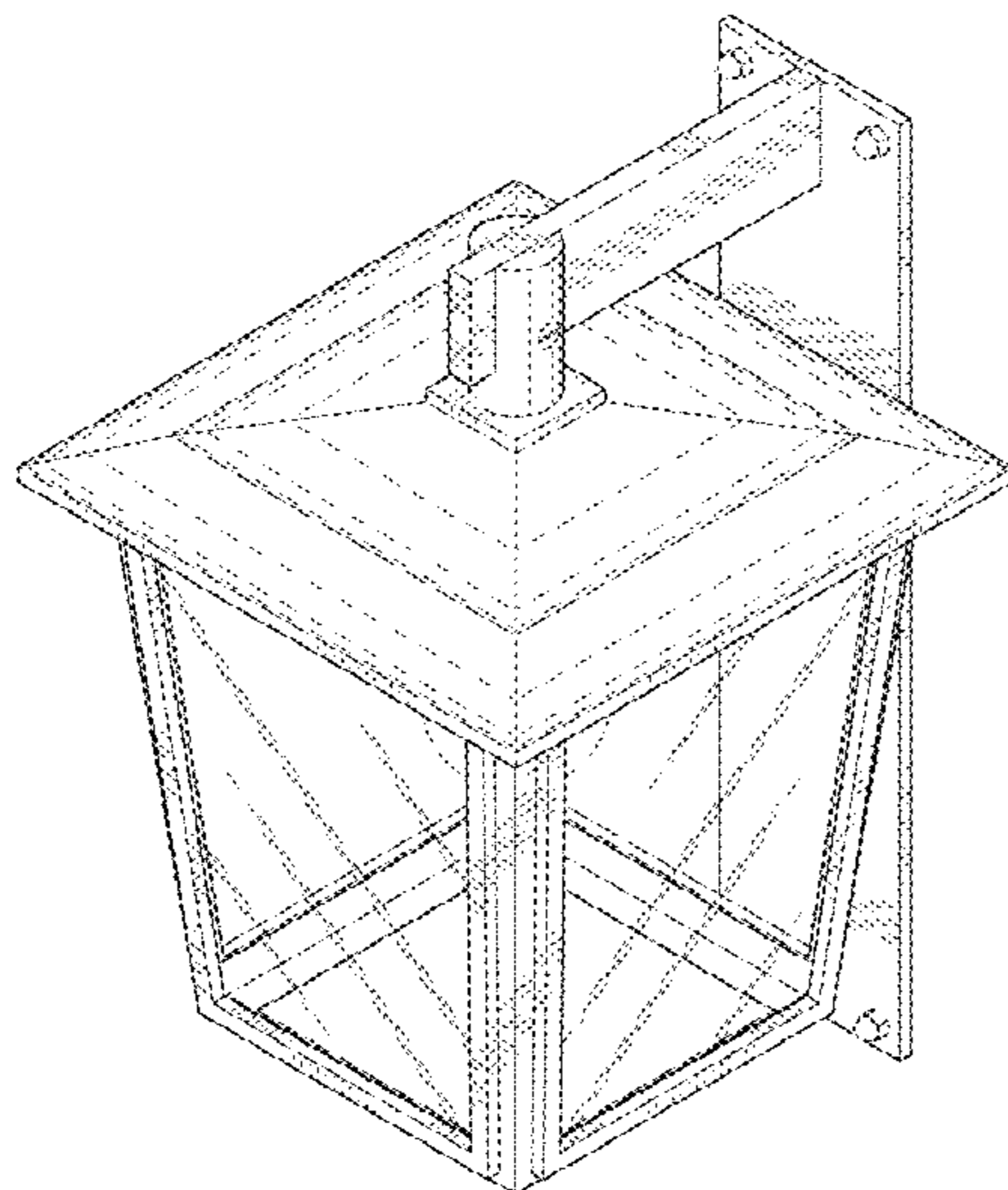
The ornamental design for a lighting fixture, as shown and described.

DESCRIPTION

FIG. 1 is a front perspective view of a new lighting fixture; FIG. 2 is a back perspective view thereof; FIG. 3 is a front elevational view thereof; FIG. 4 is a left elevational view thereof; FIG. 5 is a right elevational view thereof; FIG. 6 is a top plan view thereof; FIG. 7 is a bottom plan view thereof; and, FIG. 8 is a back elevational view thereof.

The broken line disclosure in the views represents portions of the lighting fixture that form no part of the claimed design. The broken-line extending out beyond the perimeter of the back surface of the fixture in FIGS. 4-7 is intended to demonstrate environment only and forms no part of the claimed design.

1 Claim, 8 Drawing Sheets



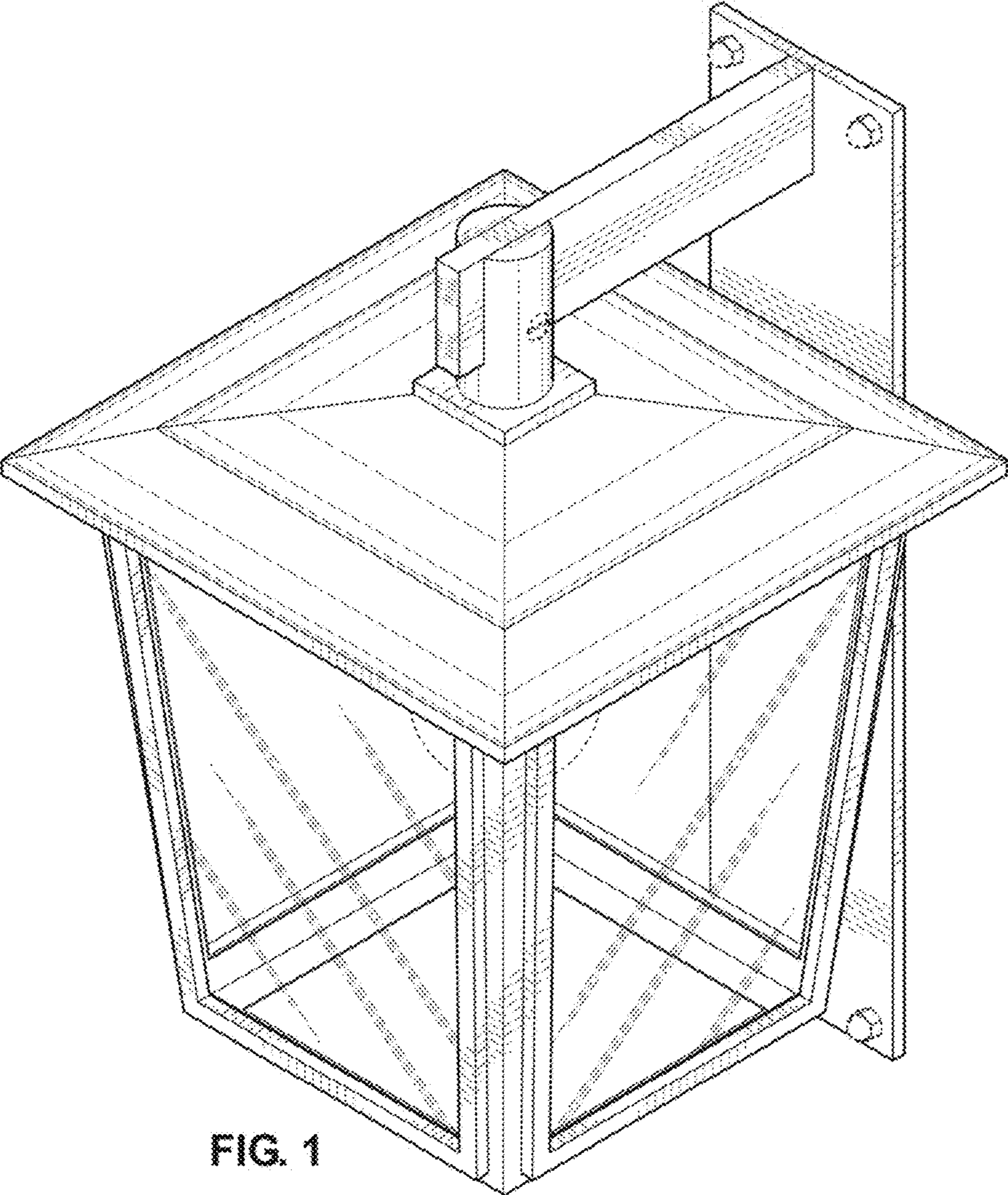


FIG. 1

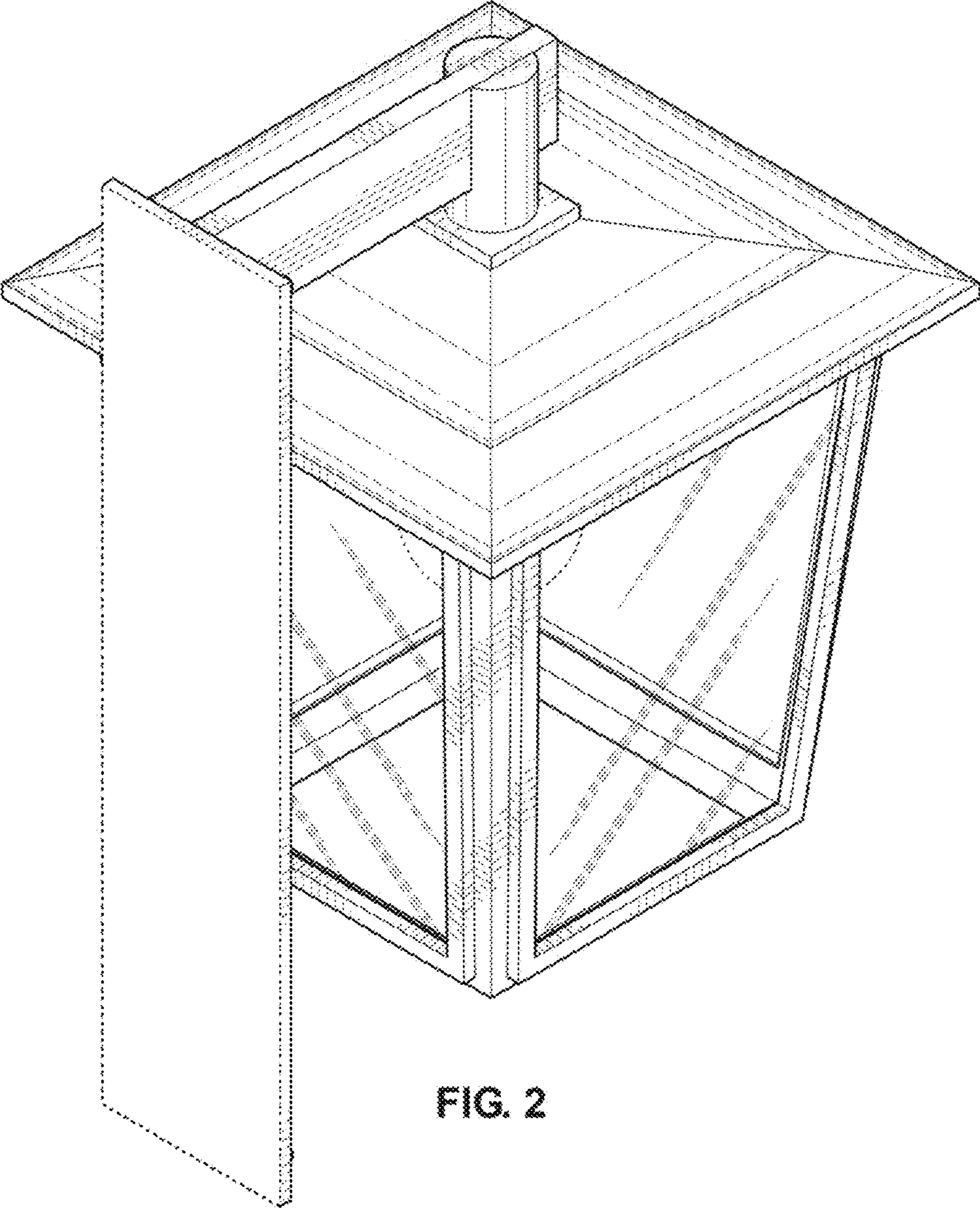


FIG. 2

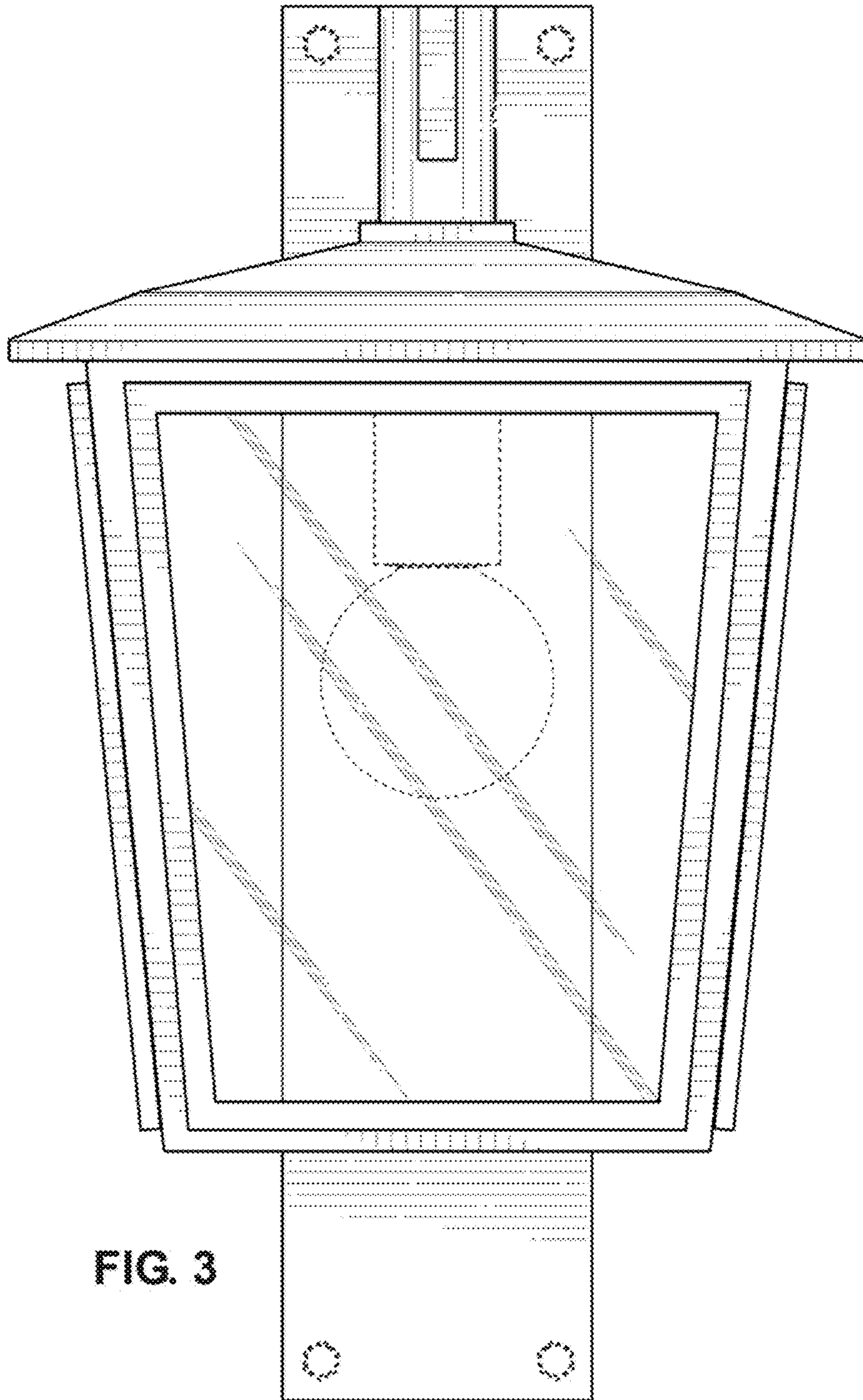


FIG. 3

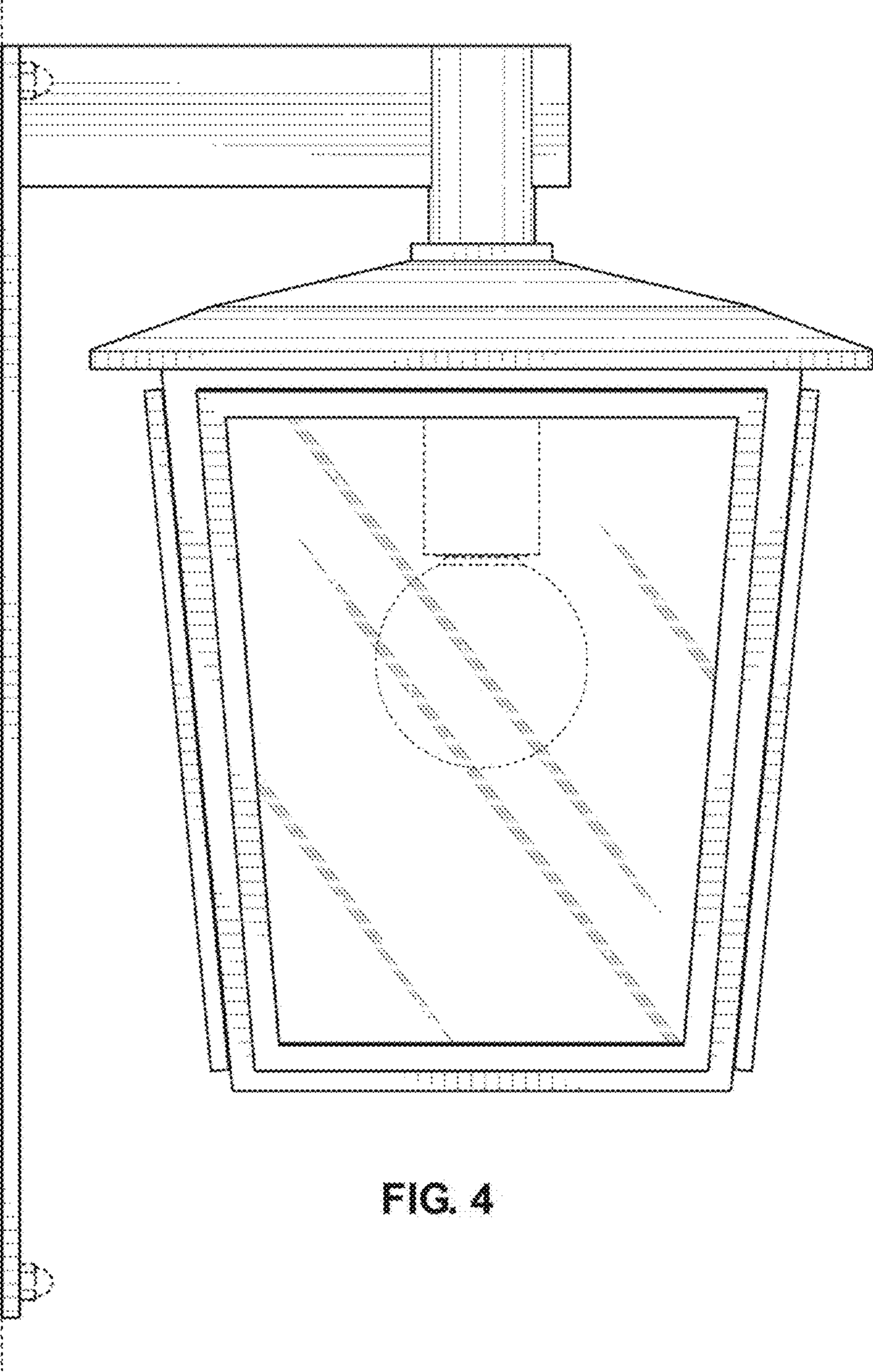


FIG. 4

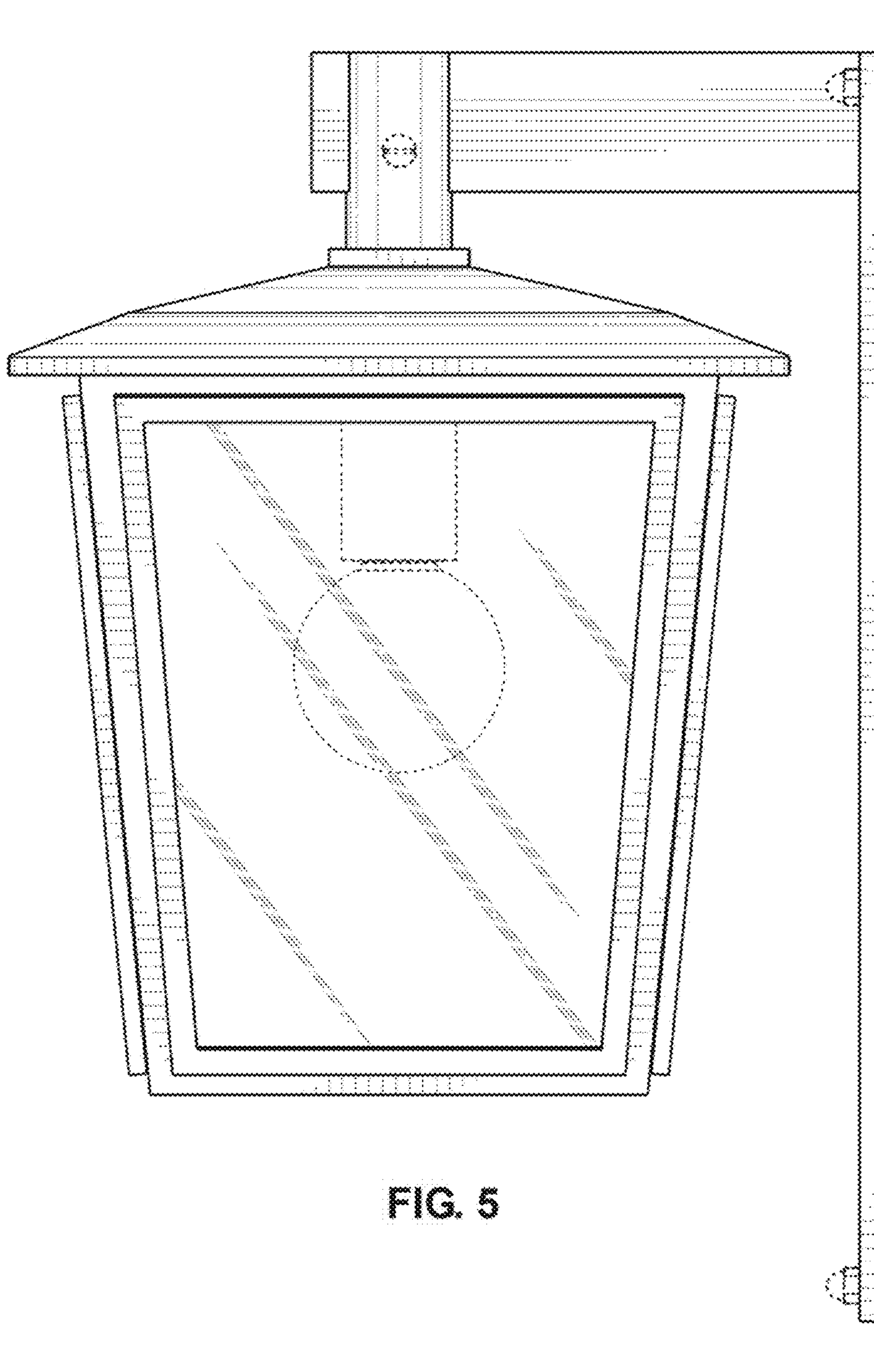


FIG. 5

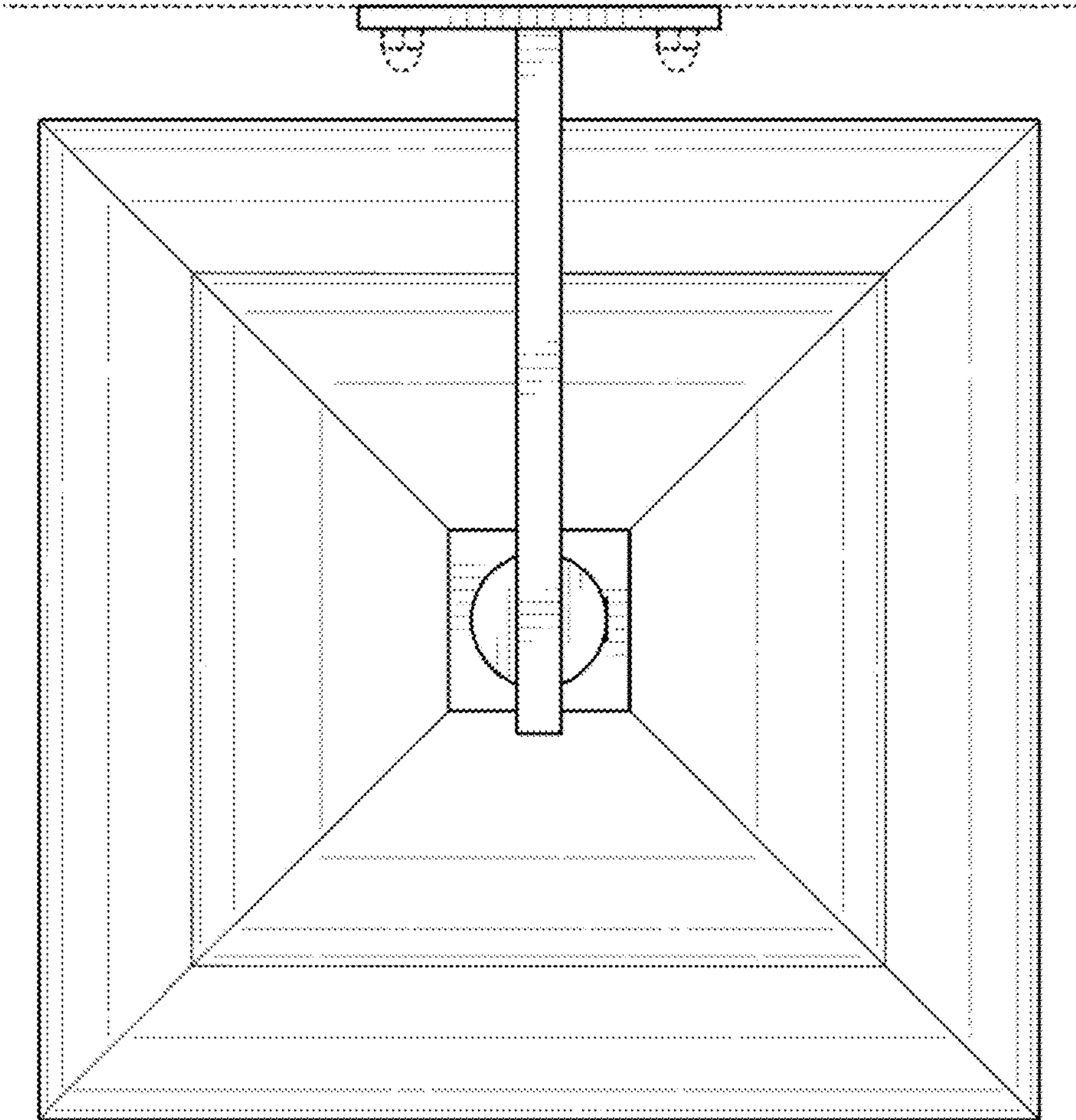


FIG. 6

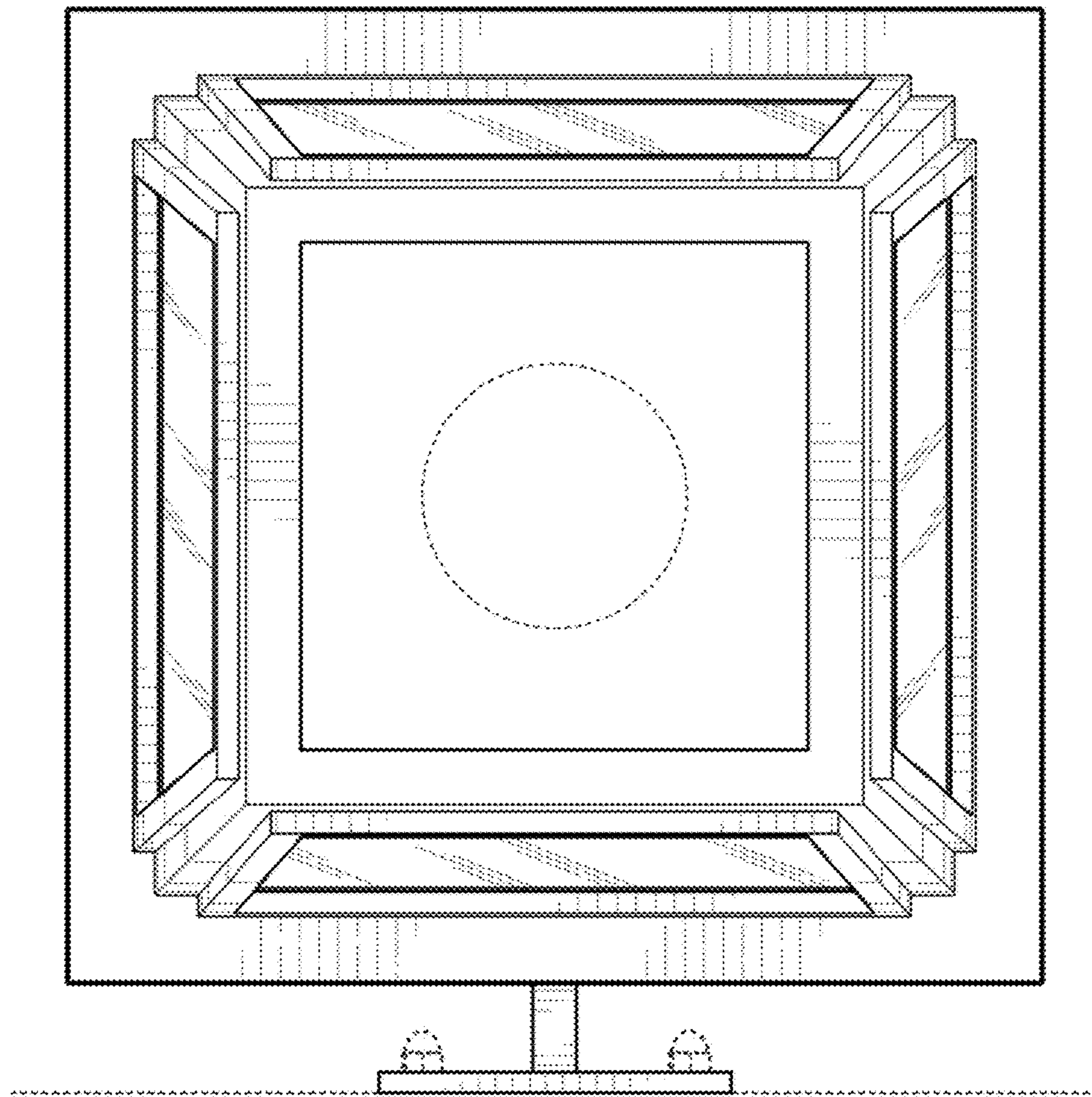


FIG. 7

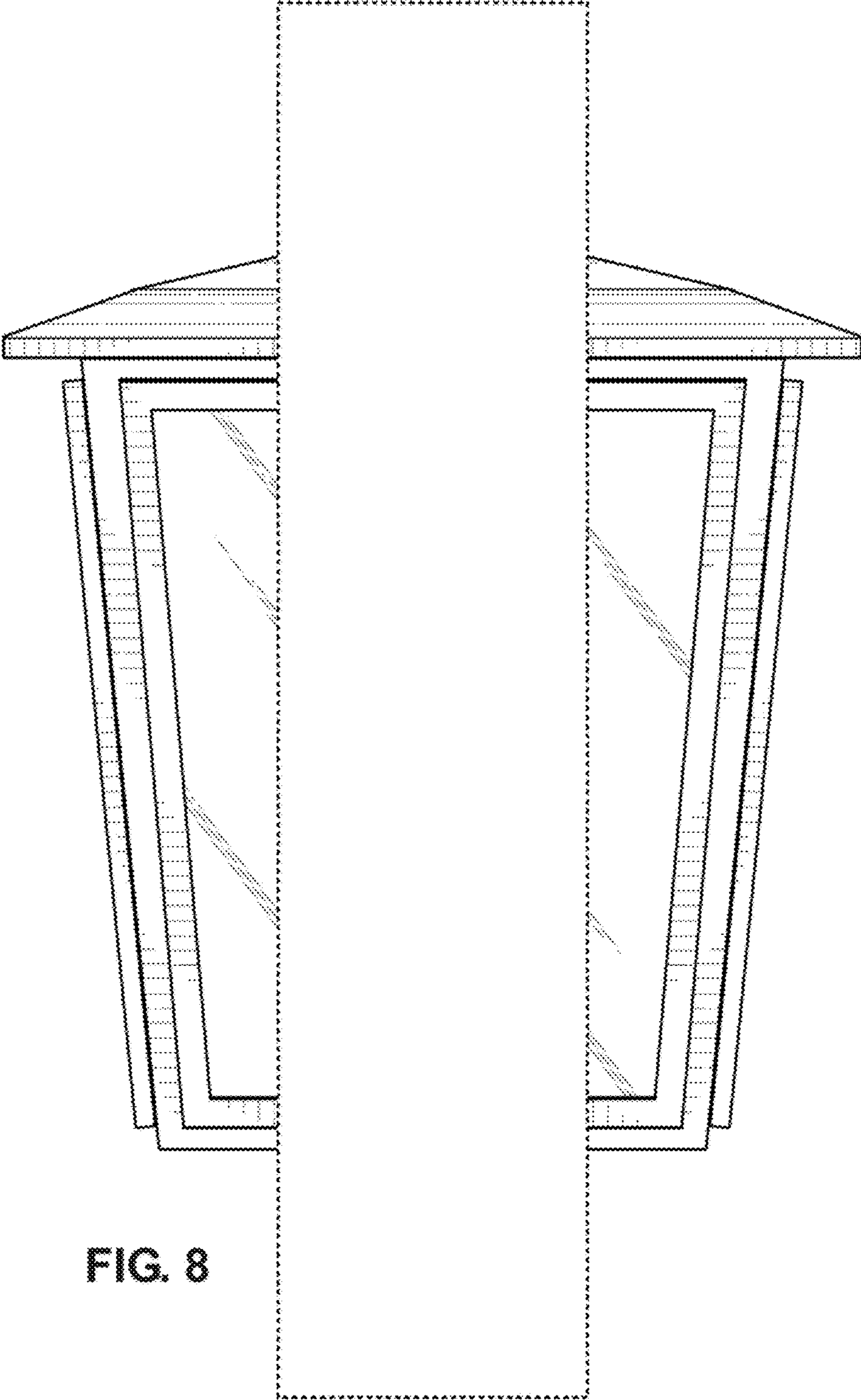


FIG. 8