



US00D830609S

(12) **United States Design Patent** (10) **Patent No.:** **US D830,609 S**  
**Sonneman** (45) **Date of Patent:** **\*\* Oct. 9, 2018**

(54) **LIGHT FIXTURE**  
(71) Applicant: **Contemporary Visions, LLC**,  
Larchmont, NY (US)  
(72) Inventor: **Robert A. Sonneman**, Mamaroneck,  
NY (US)  
(73) Assignee: **CONTEMPORARY VISIONS, LLC**,  
Larchmont, NY (US)  
(\*\*) Term: **15 Years**  
(21) Appl. No.: **29/628,802**  
(22) Filed: **Dec. 7, 2017**  
(51) **LOC (11) Cl.** ..... **26-03**  
(52) **U.S. Cl.**  
USPC ..... **D26/87; D26/85**  
(58) **Field of Classification Search**  
USPC ..... D26/72, 80, 82, 83, 85, 86, 87, 92  
CPC .. F21S 8/033; F21S 8/035; F21S 8/036; F21S  
8/037  
See application file for complete search history.

(56) **References Cited**  
U.S. PATENT DOCUMENTS  
D152,994 S \* 3/1949 McCann ..... D26/87  
D442,317 S \* 5/2001 Crosby ..... D26/87  
D448,881 S \* 10/2001 Lin ..... D26/155  
D557,442 S \* 12/2007 Niemier ..... D26/76  
D676,997 S \* 2/2013 Tang ..... D26/87  
D681,255 S \* 4/2013 Bickler ..... D26/85  
D724,776 S \* 3/2015 Sonneman ..... D26/85  
D742,576 S \* 11/2015 Blum ..... D26/87  
D744,691 S \* 12/2015 Kitts ..... D26/85  
D782,099 S \* 3/2017 Orozco ..... D26/85  
D797,345 S \* 9/2017 Sonneman  
D799,097 S \* 10/2017 Sonneman ..... D26/85  
D799,735 S \* 10/2017 Sonneman ..... D26/85

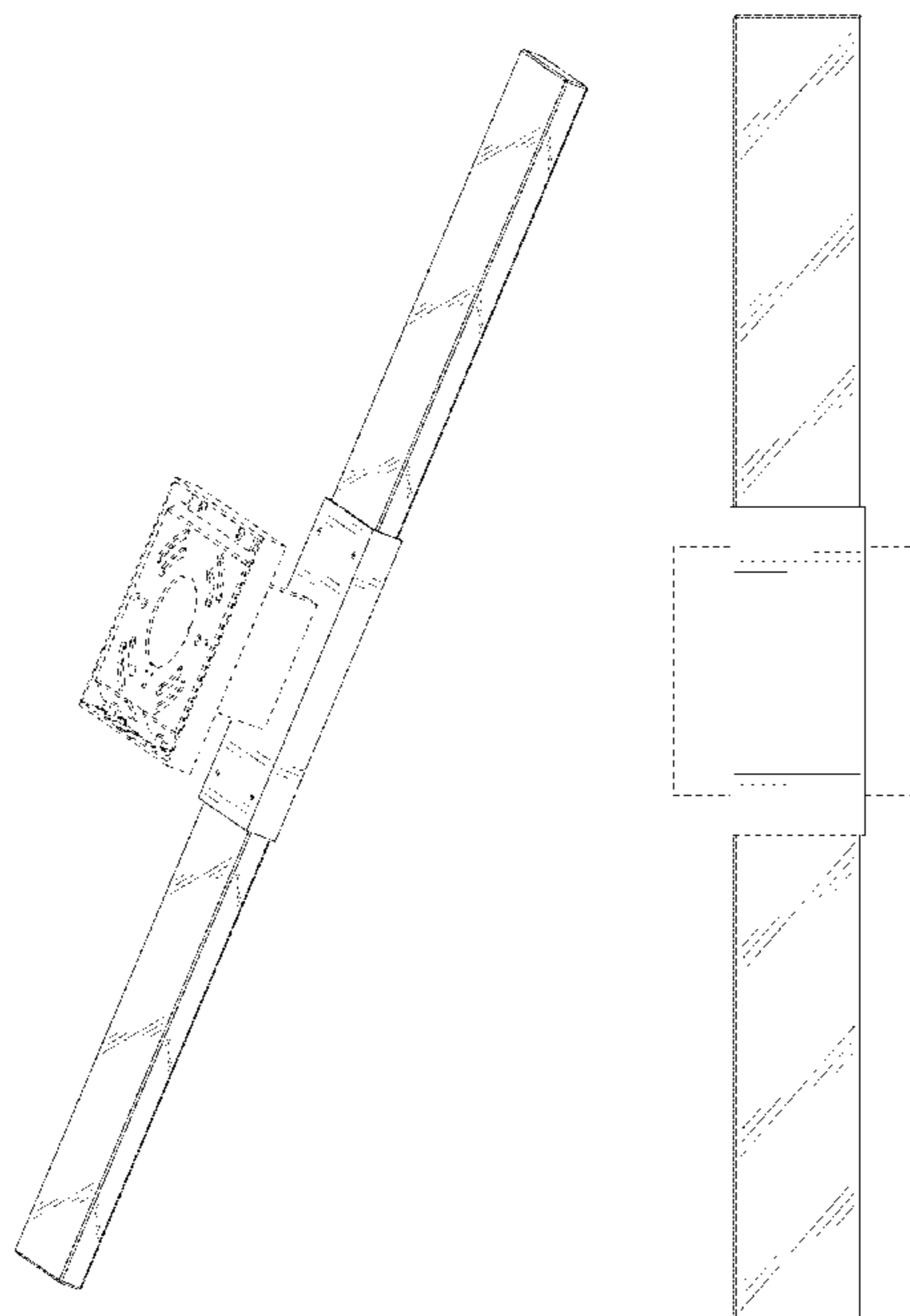
\* cited by examiner

*Primary Examiner* — Clare E Heflin  
(74) *Attorney, Agent, or Firm* — Gottlieb, Rackman &  
Reisman, P.C.

(57) **CLAIM**  
The ornamental design for a light fixture, as shown and  
described.

**DESCRIPTION**  
FIG. 1 is a first perspective view of a first embodiment of a  
light fixture showing my new design;  
FIG. 2 is a second perspective view thereof;  
FIG. 3 is a front elevational view thereof;  
FIG. 4 is a rear elevational view thereof;  
FIG. 5 is a right side elevational view thereof;  
FIG. 6 is a left side elevational view thereof;  
FIG. 7 is a top plan view thereof;  
FIG. 8 is a bottom plan view thereof;  
FIG. 9 is a first perspective view of a second embodiment of  
a light fixture showing my new design;  
FIG. 10 is a second perspective view of the light fixture of  
FIG. 9;  
FIG. 11 is a front elevational view of the light fixture of FIG.  
9;  
FIG. 12 is a rear elevational view of the light fixture of FIG.  
9;  
FIG. 13 is a right side elevational view of the light fixture of  
FIG. 9;  
FIG. 14 is a left side elevational view of the light fixture of  
FIG. 9;  
FIG. 15 is a top plan view of the light fixture of FIG. 9; and,  
FIG. 16 is a bottom plan view of the light fixture of FIG. 9.  
The broken lines shown in the drawings are included for the  
purpose of illustrating portions of the light fixture that form  
no part of the claimed design.

**1 Claim, 16 Drawing Sheets**



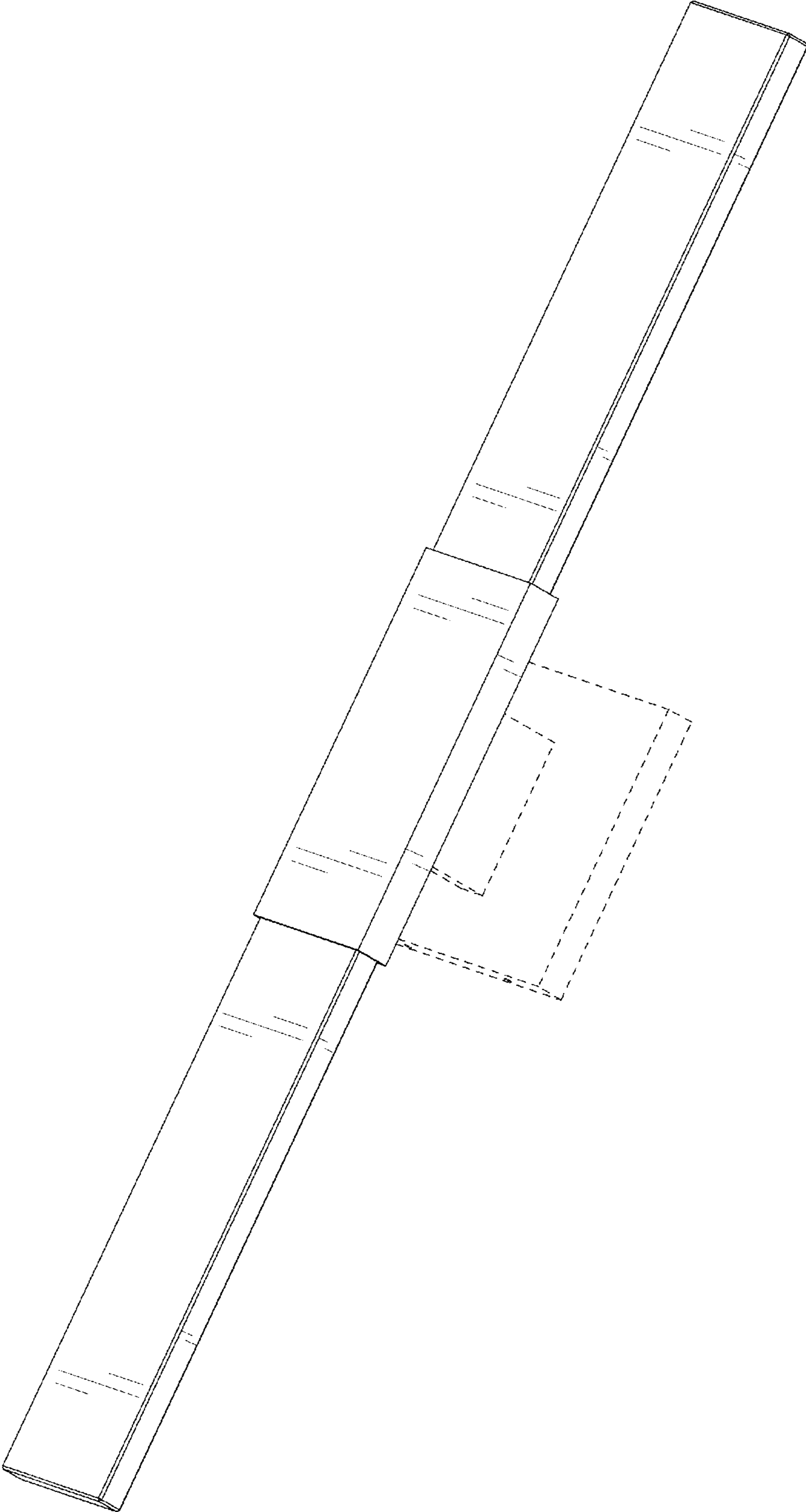


FIG. 1

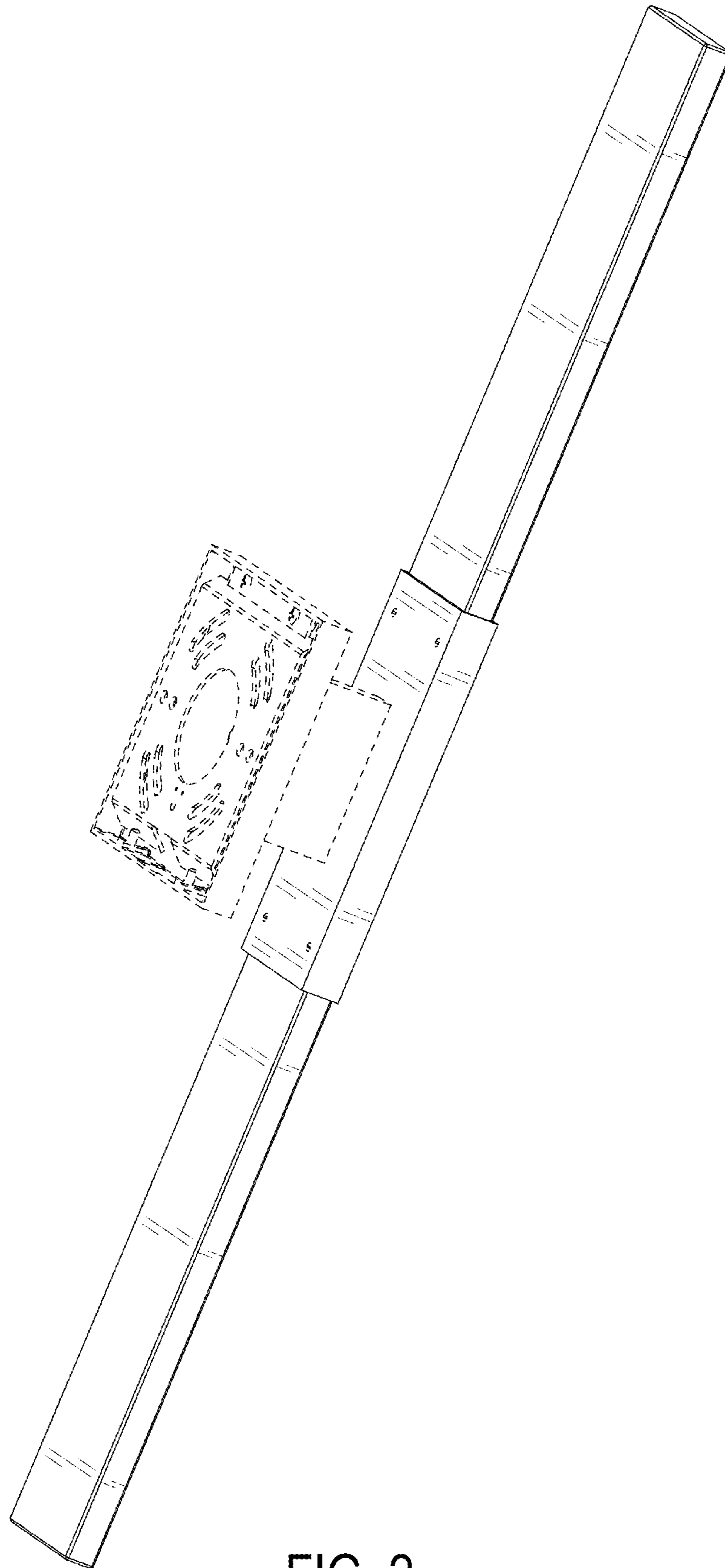


FIG. 2

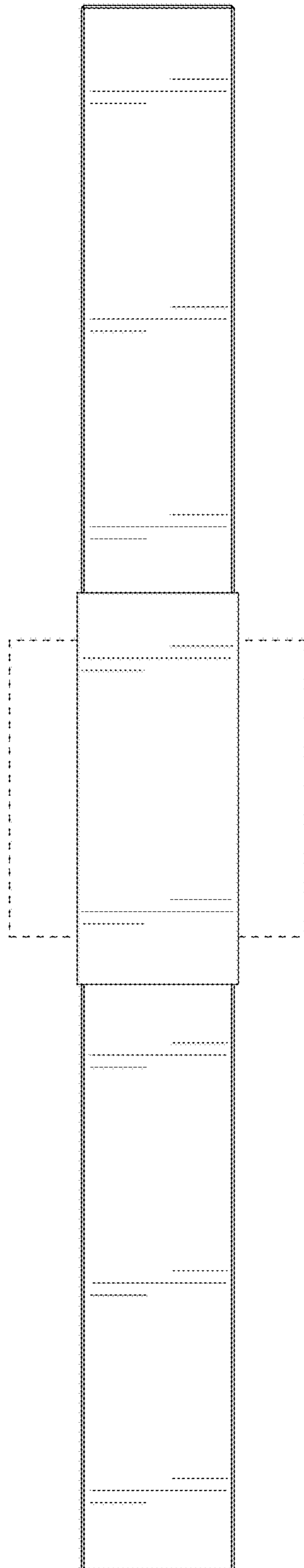


FIG. 3

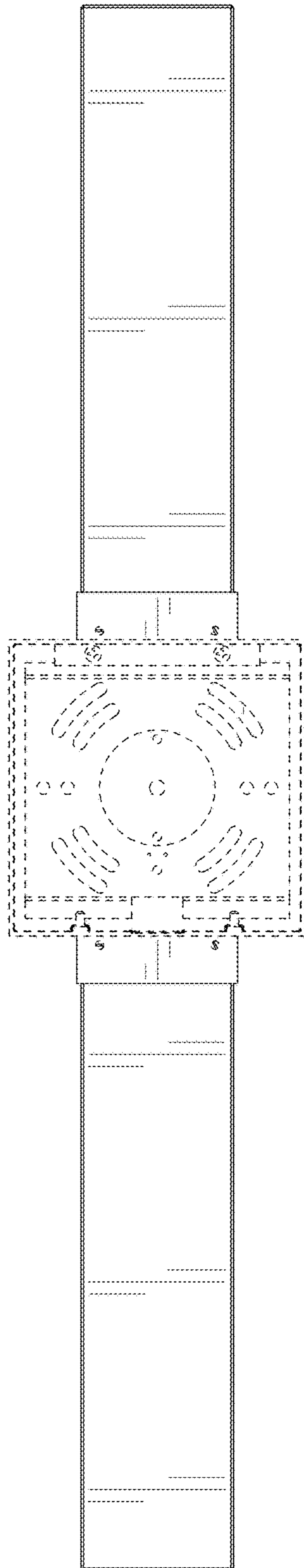


FIG. 4

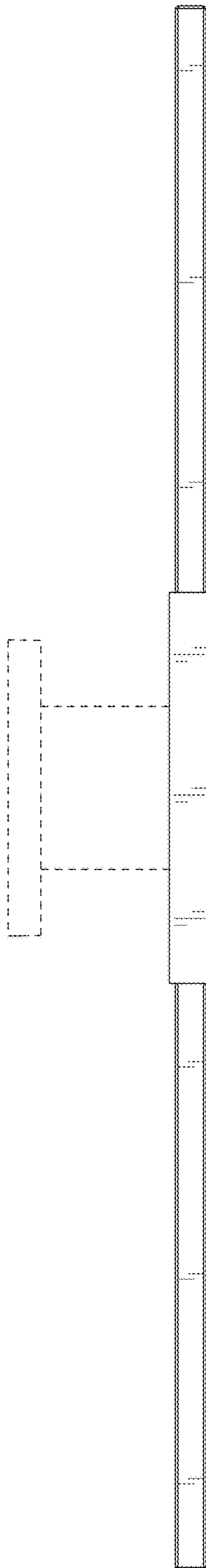


FIG. 5

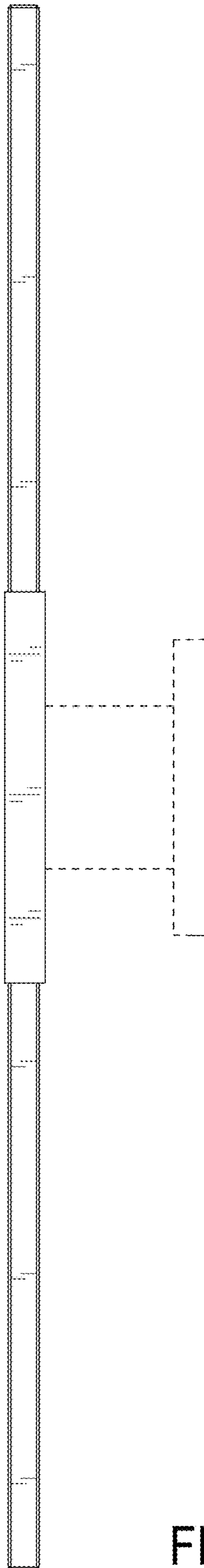


FIG. 6

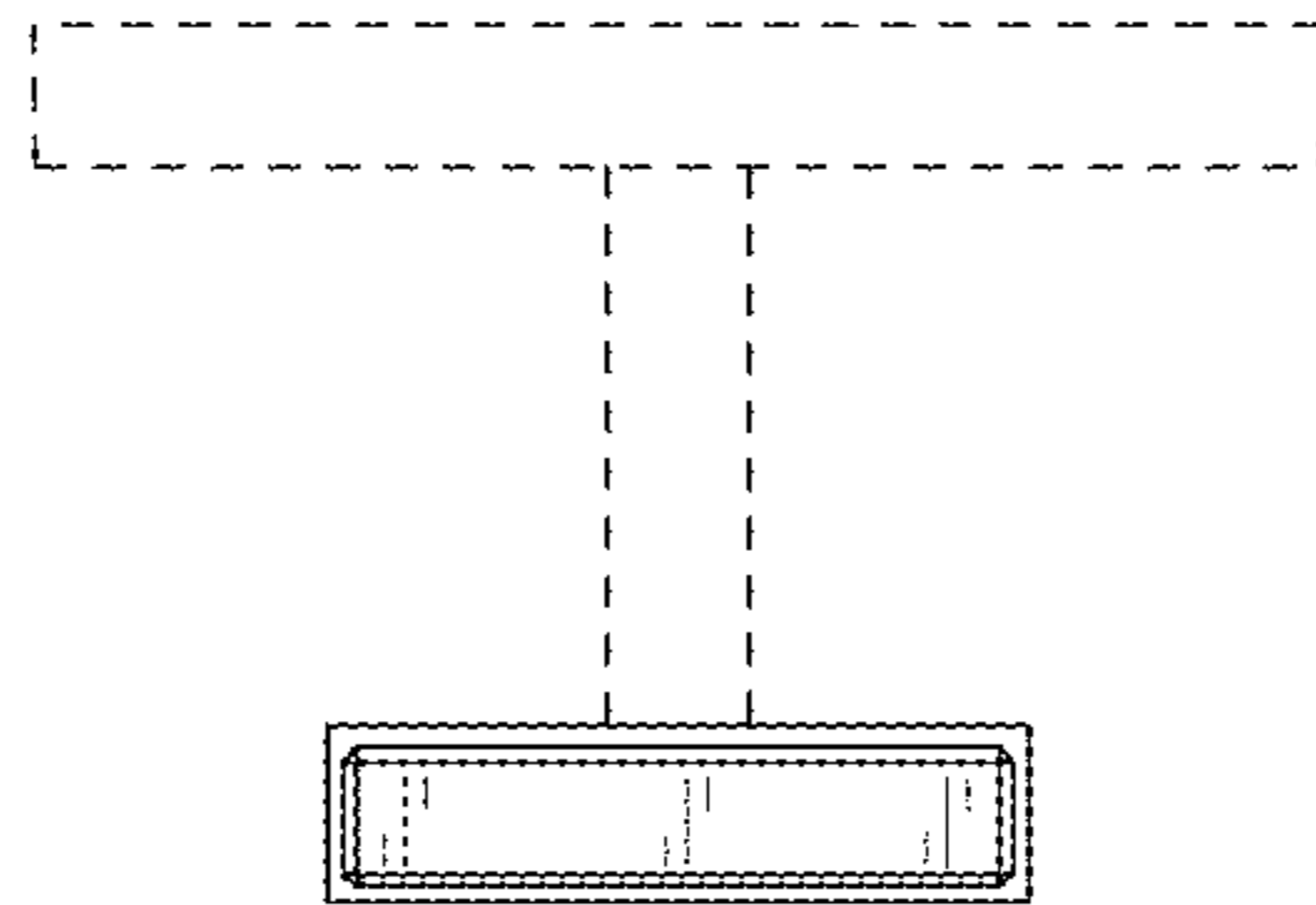


FIG. 7



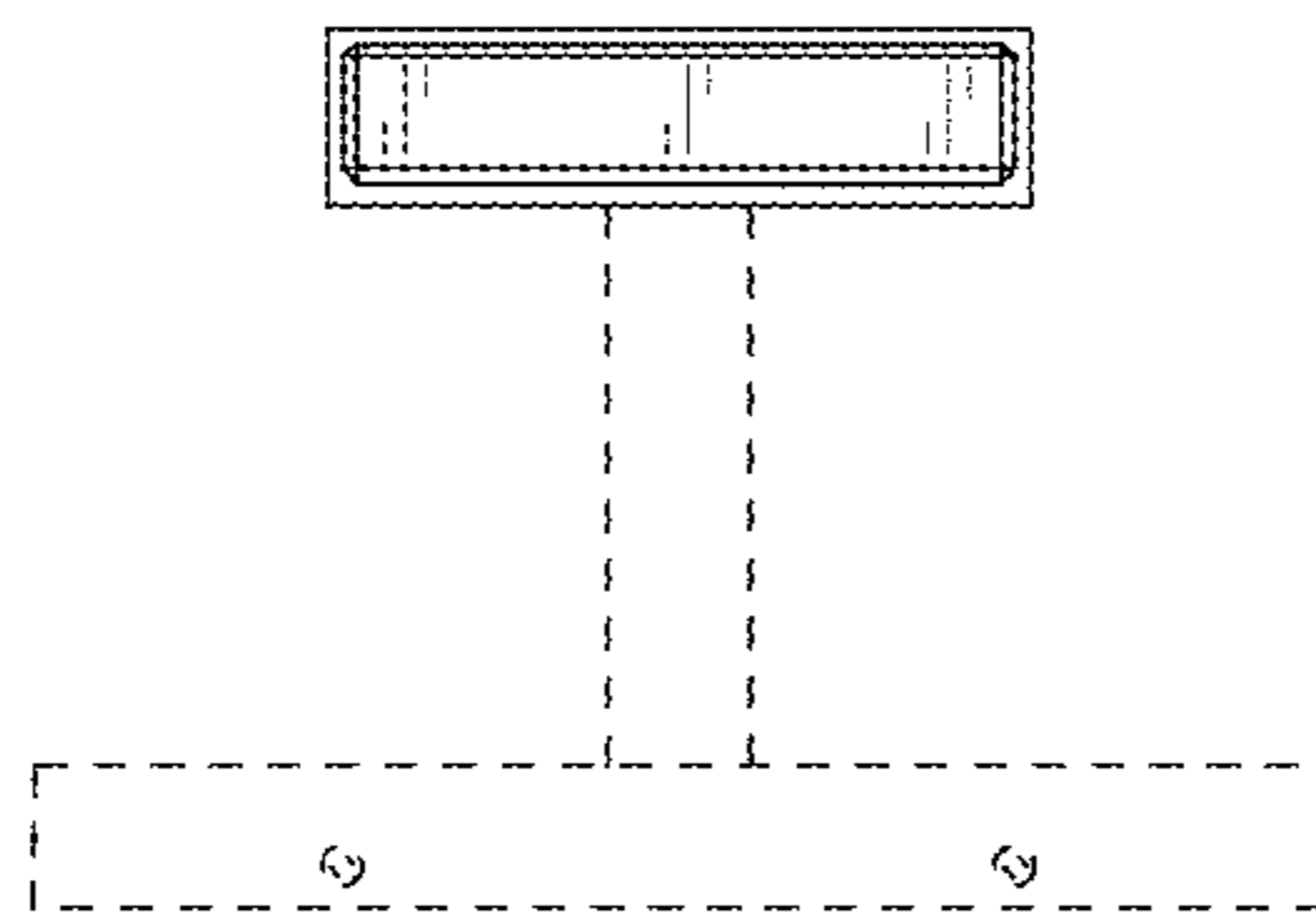


FIG. 8

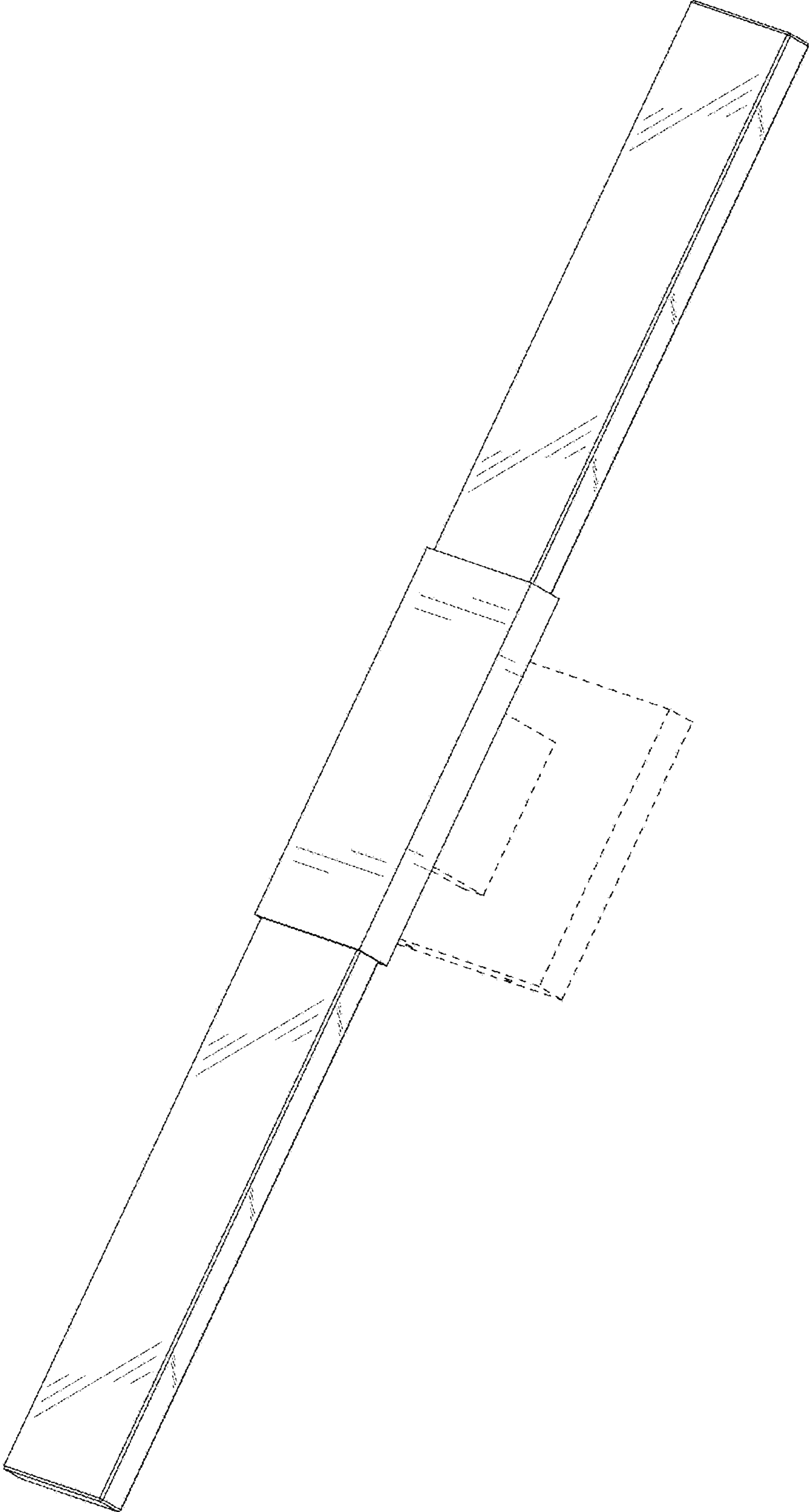


FIG. 9

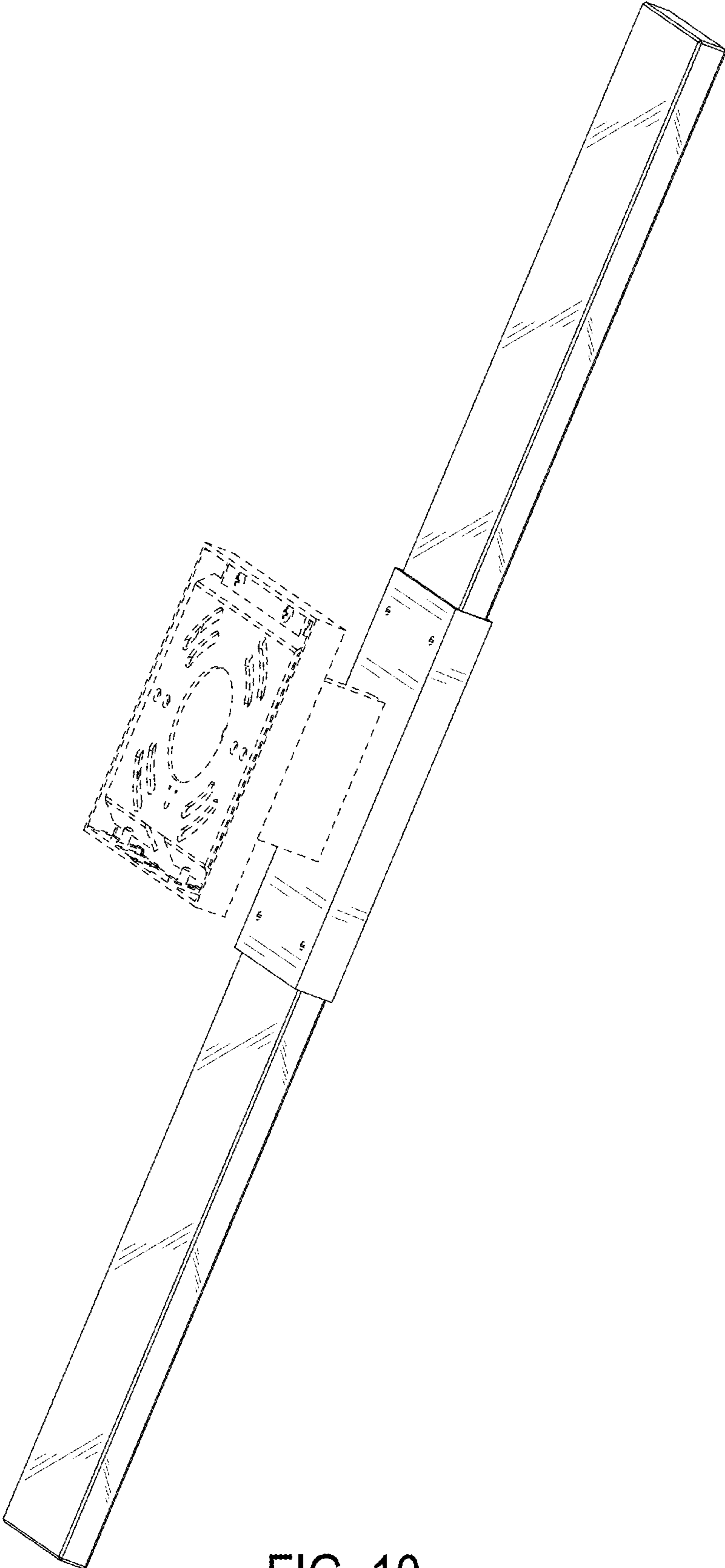


FIG. 10

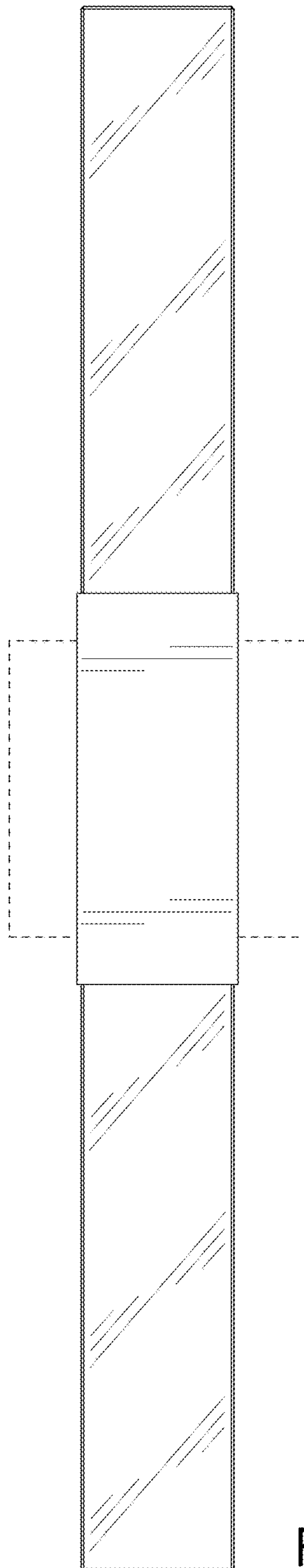


FIG. 11

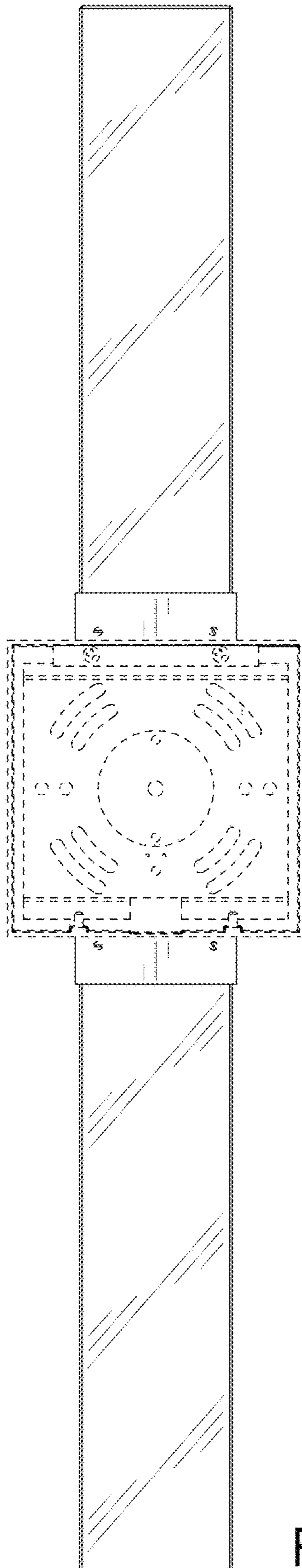


FIG. 12

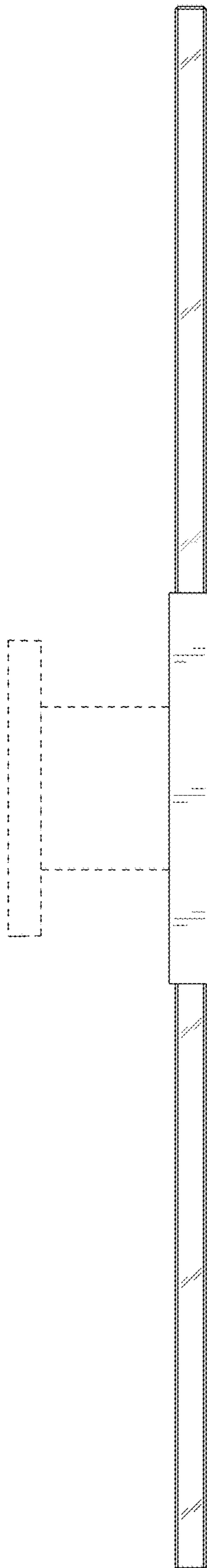


FIG. 13

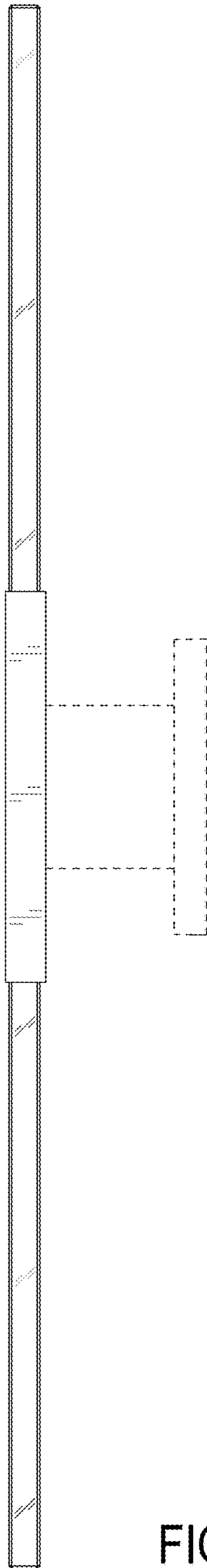


FIG. 14

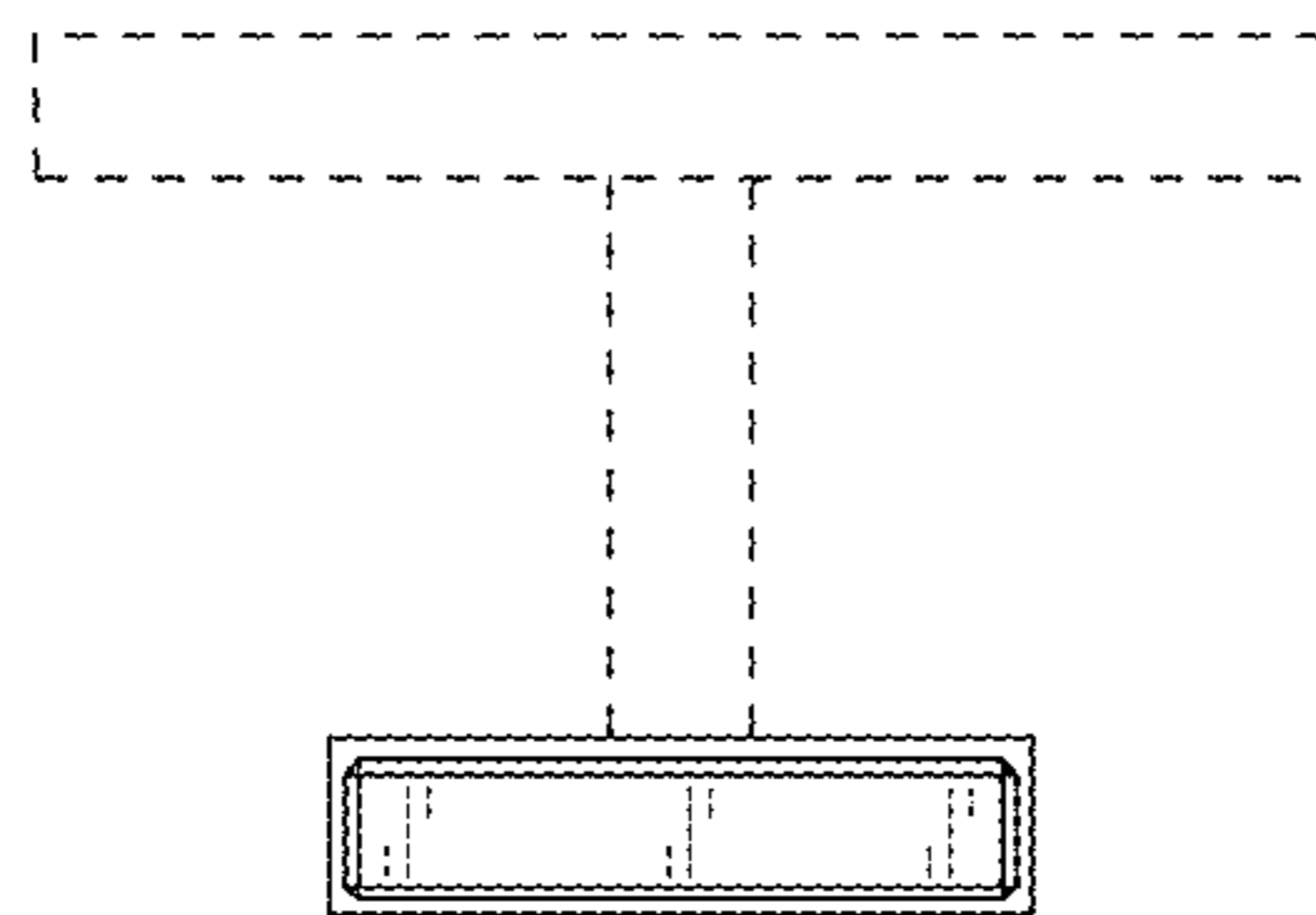


FIG. 15



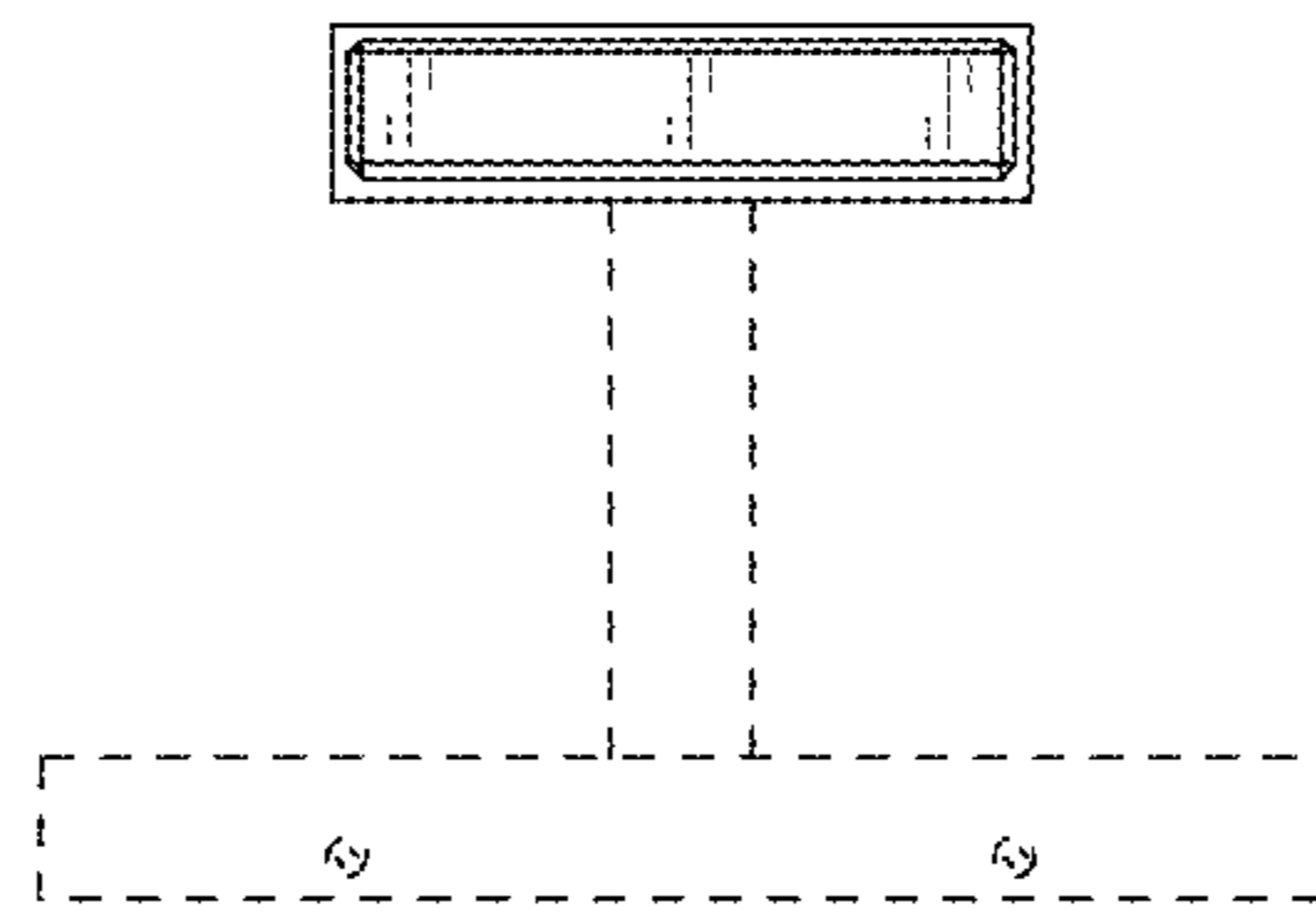


FIG. 16