



US00D830608S

(12) **United States Design Patent**
Amato et al.

(10) **Patent No.:** **US D830,608 S**

(45) **Date of Patent:** **** Oct. 9, 2018**

(54) **LIGHTING FIXTURE**

(71) Applicant: **The Urban Electric Company**, North Charleston, SC (US)

(72) Inventors: **Michael Amato**, Johns Island, SC (US); **David Dawson**, Charleston, SC (US); **Jonathan Charpia**, Summerville, SC (US); **Christopher Roof**, Charleston, SC (US); **Joeangel Casanova**, North Charleston, SC (US); **Brianna Magagnoli**, North Charleston, SC (US); **Janis Golubeckis**, Mount Pleasant, SC (US)

(73) Assignee: **The Urban Electric Company**, North Charleston, SC (US)

(**) Term: **15 Years**

(21) Appl. No.: **29/630,222**

(22) Filed: **Dec. 20, 2017**

(51) **LOC (11) Cl.** **26-03**

(52) **U.S. Cl.**
USPC **D26/85**

(58) **Field of Classification Search**
USPC D26/67, 72, 85, 86, 87, 92
CPC F21S 8/03; F21S 8/033; F21S 8/035; F21S 8/036; F21S 8/037; F21S 8/081; F21S 8/088

See application file for complete search history.

(56) **References Cited**

U.S. PATENT DOCUMENTS

D62,937 S * 8/1923 Dahl D26/85
D120,990 S * 6/1940 Kirby D26/85

D315,421 S * 3/1991 Goldschmidt D26/63
D526,081 S * 8/2006 Wen D26/67
D552,783 S * 10/2007 Brunner D26/85
D620,181 S * 7/2010 Sanoner D26/85
D744,691 S * 12/2015 Kitts D26/85
D764,093 S * 8/2016 Sabernig D26/85
D816,880 S * 5/2018 Mou D26/85

* cited by examiner

Primary Examiner — Clare E Heflin

(74) *Attorney, Agent, or Firm* — Jeffrey T. Stover; Haynsworth Sinkler Boyd, P.A.

(57) **CLAIM**

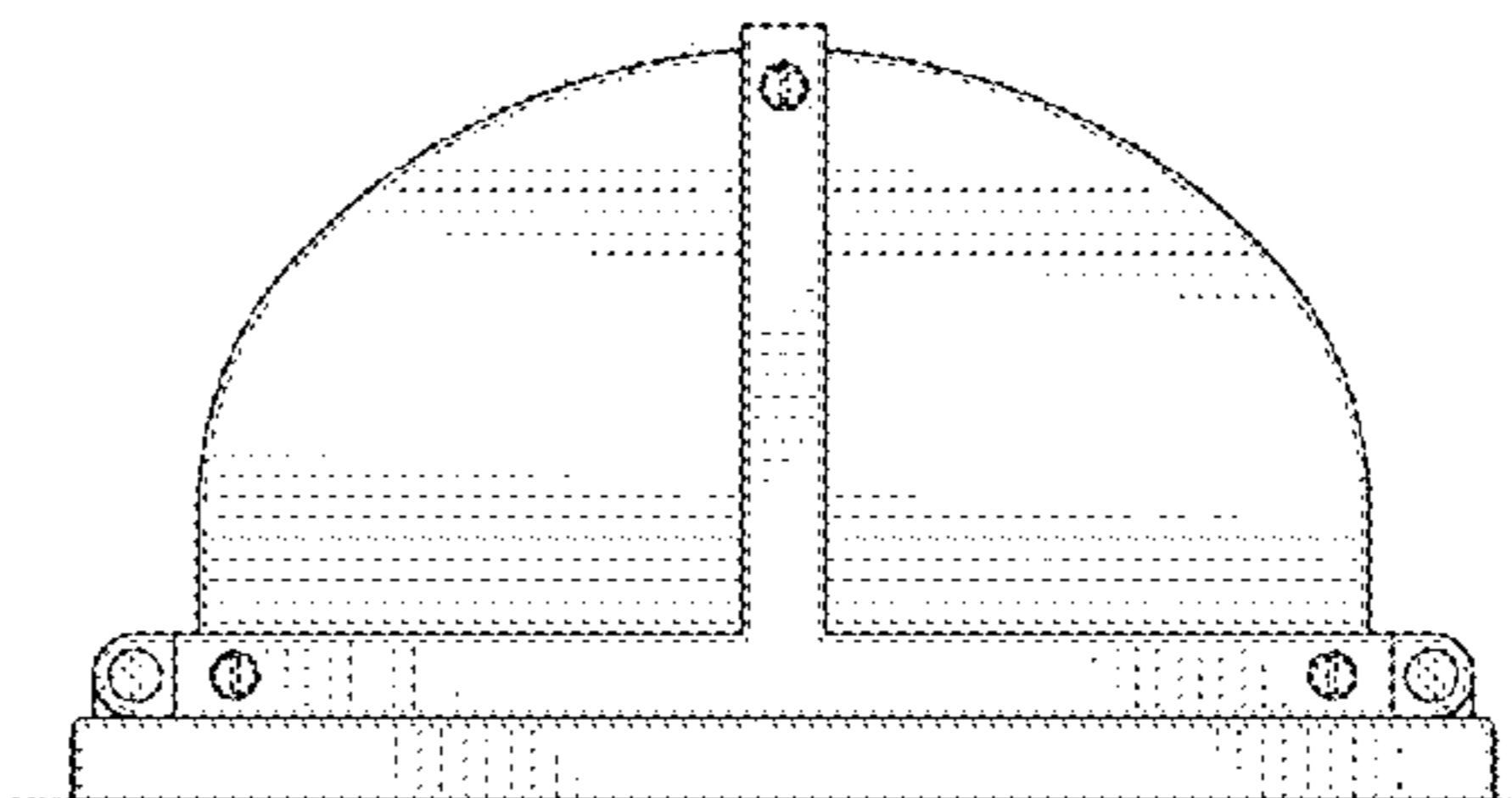
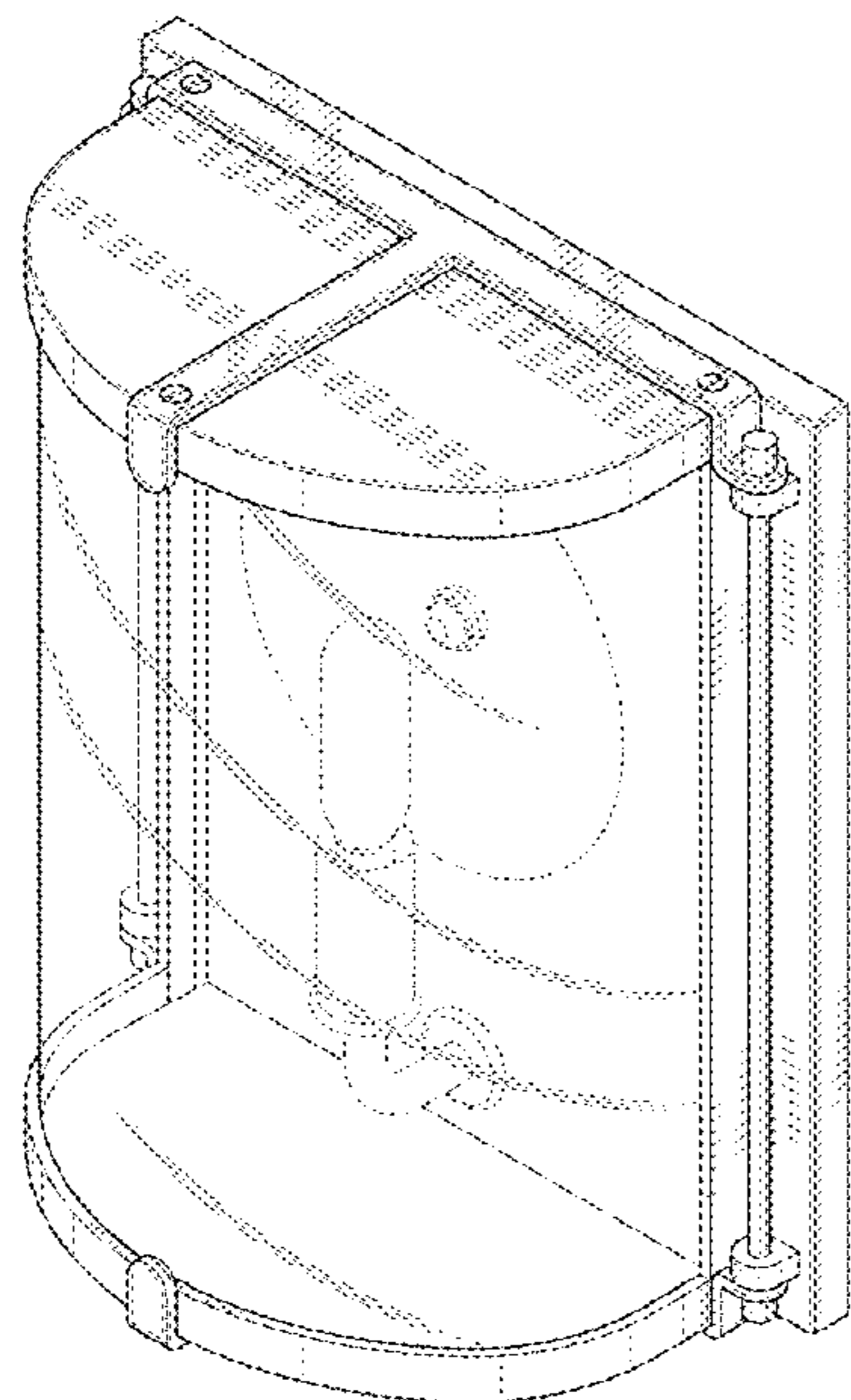
The ornamental design for a lighting fixture, as shown and described.

DESCRIPTION

FIG. 1 is a front perspective view of a new lighting fixture; FIG. 2 is a back perspective view thereof; FIG. 3 is a front elevational view thereof; FIG. 4 is a left elevational view thereof; FIG. 5 is a right elevational view thereof; FIG. 6 is a top plan view thereof; FIG. 7 is a bottom plan view thereof; and, FIG. 8 is a back elevational view thereof.

The broken line disclosure in the views represents portions of the lighting fixture that form no part of the claimed design. The broken-line extending out beyond the perimeter of the back surface of the fixture in FIGS. 4-7 is intended to demonstrate environment only and forms no part of the claimed design.

1 Claim, 8 Drawing Sheets



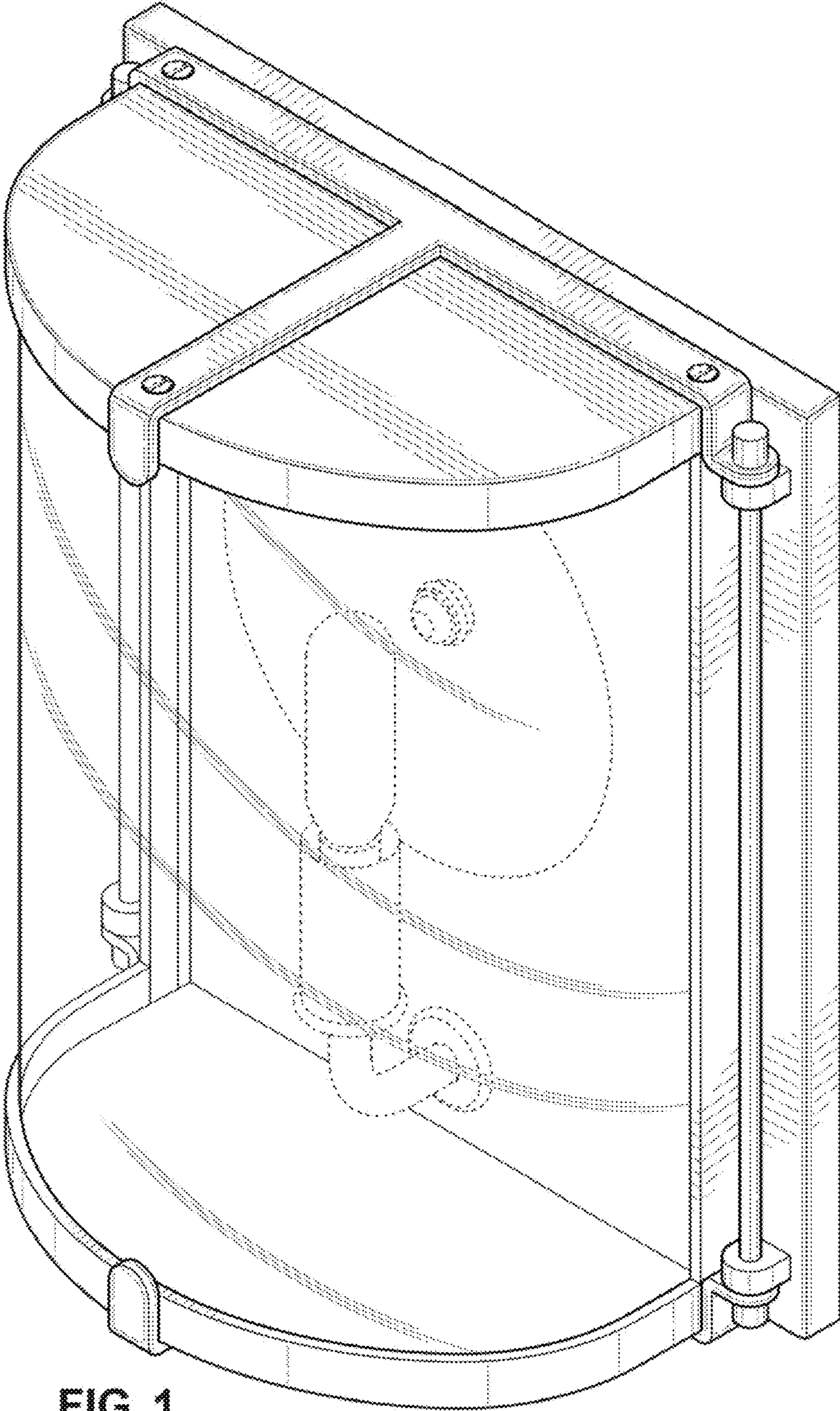


FIG. 1

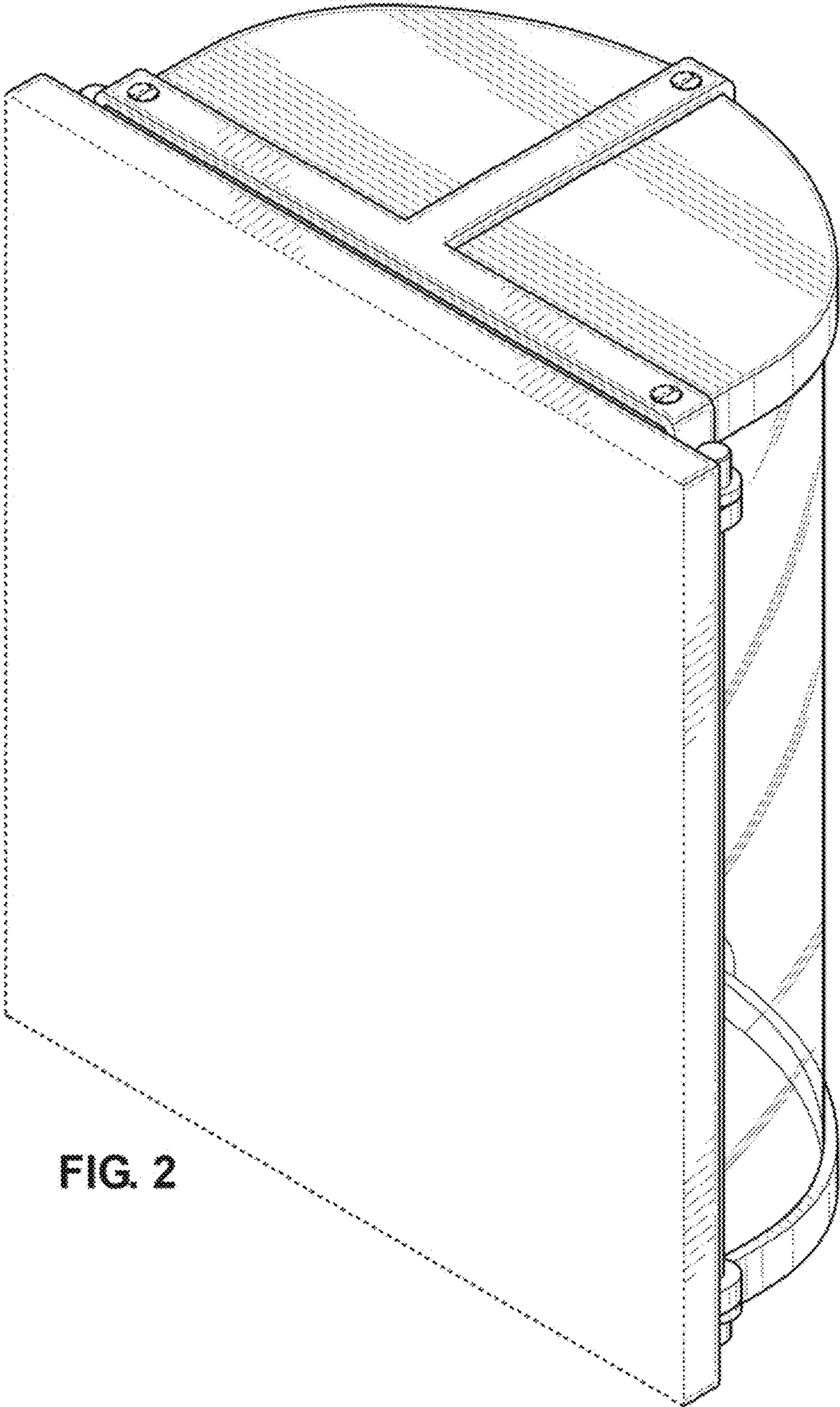


FIG. 2

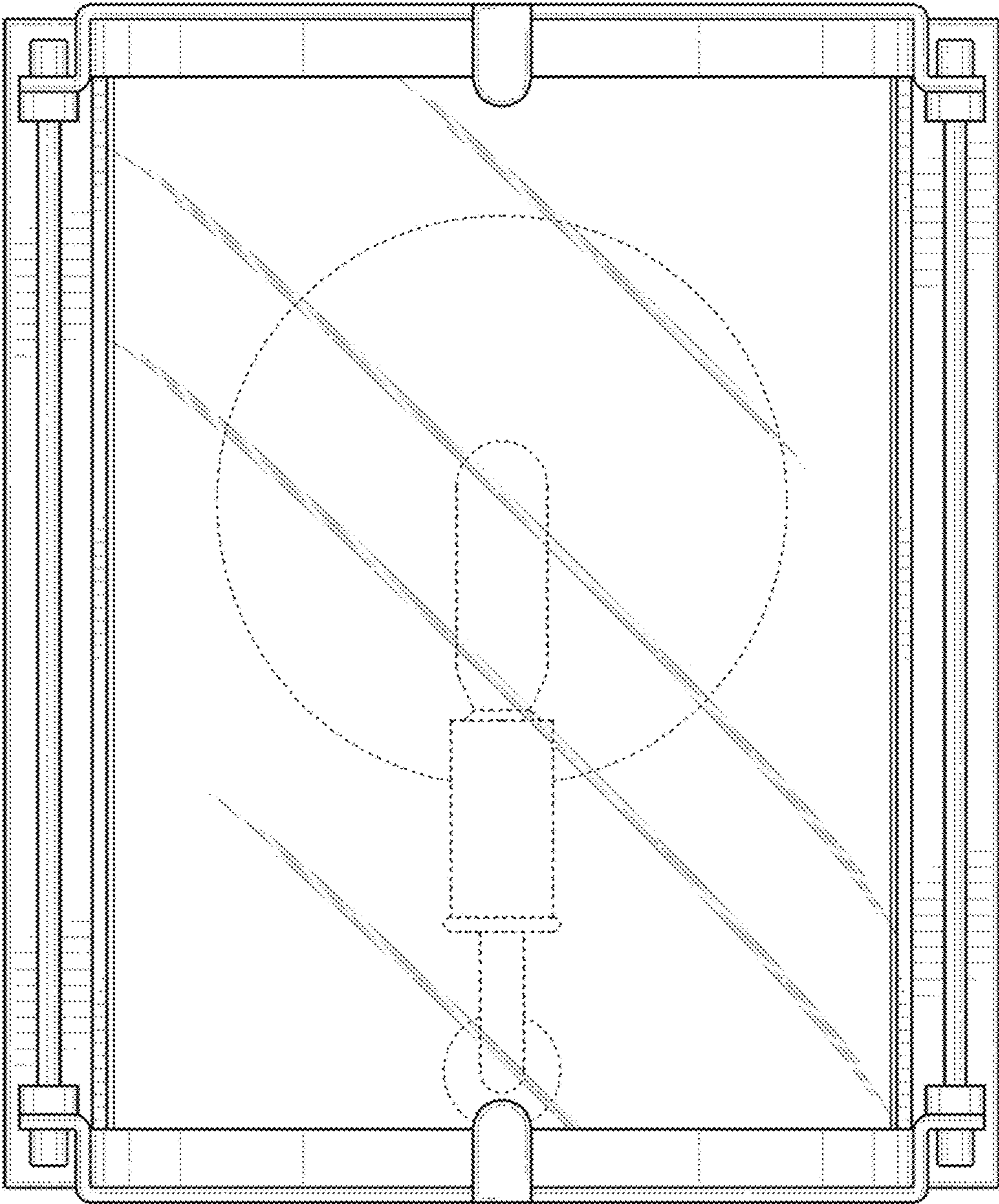


FIG. 3

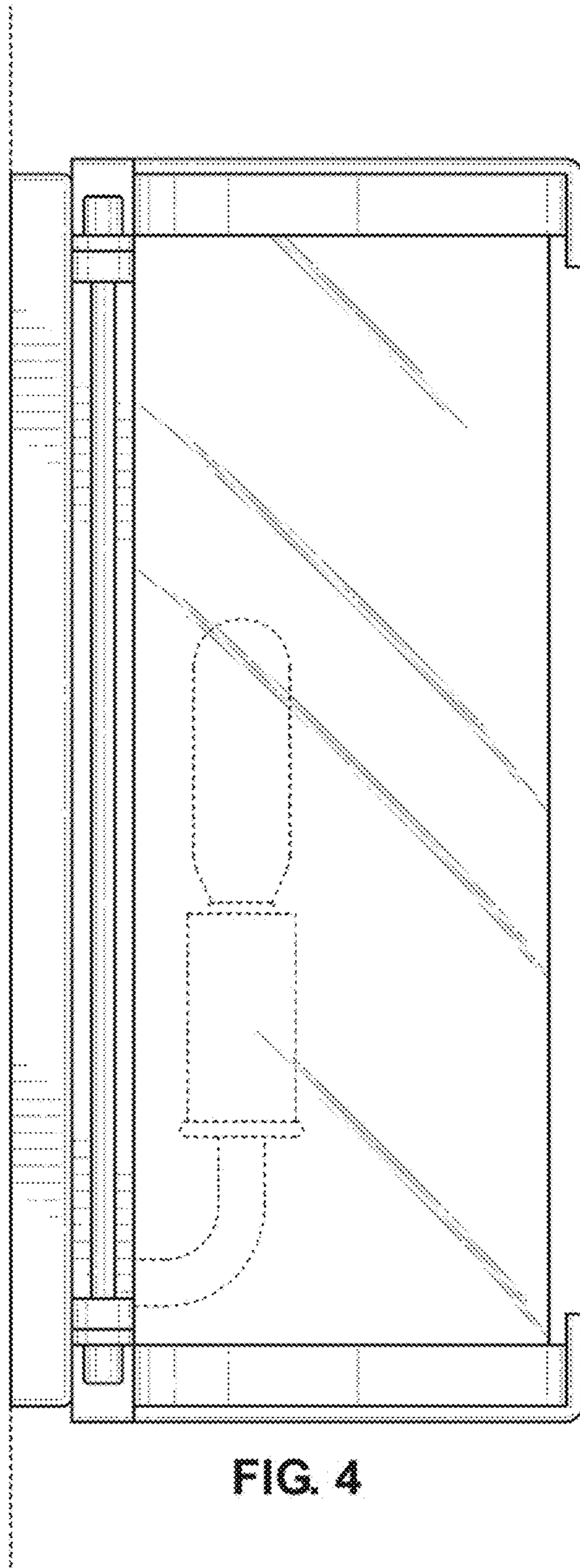


FIG. 4

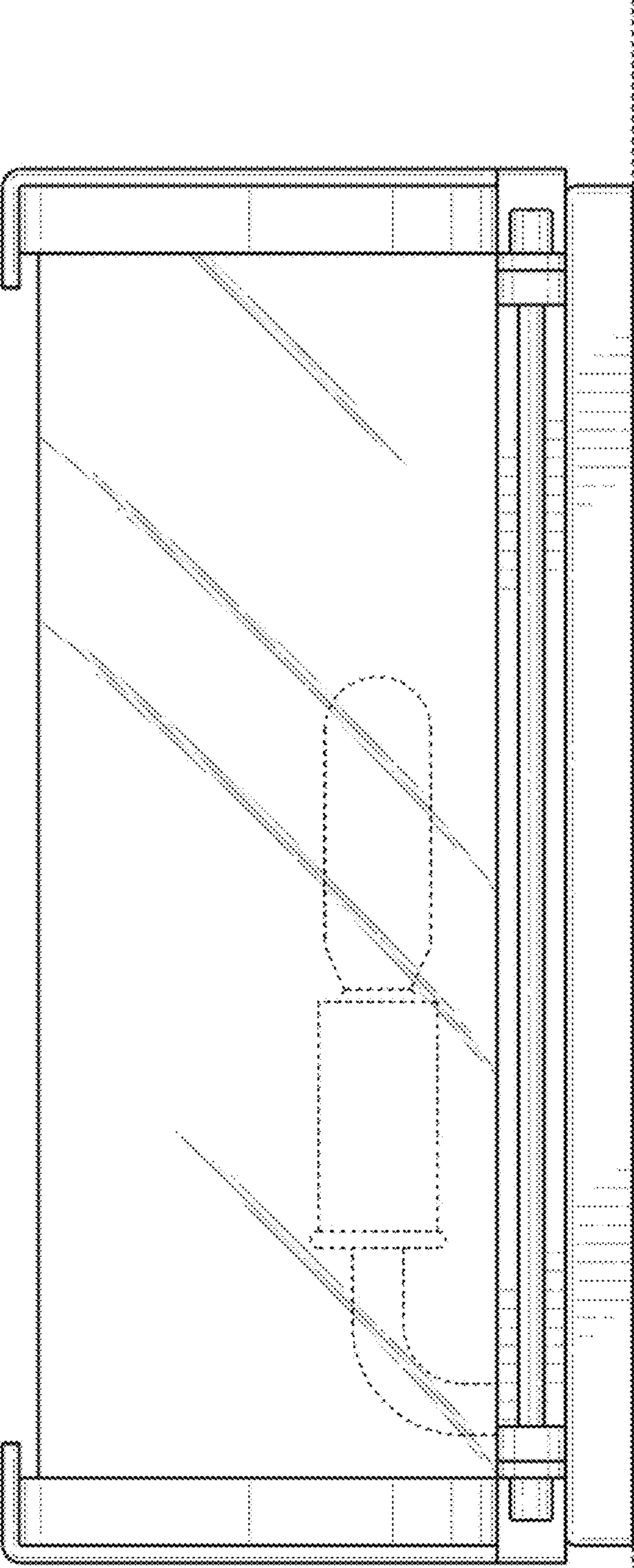


FIG. 5

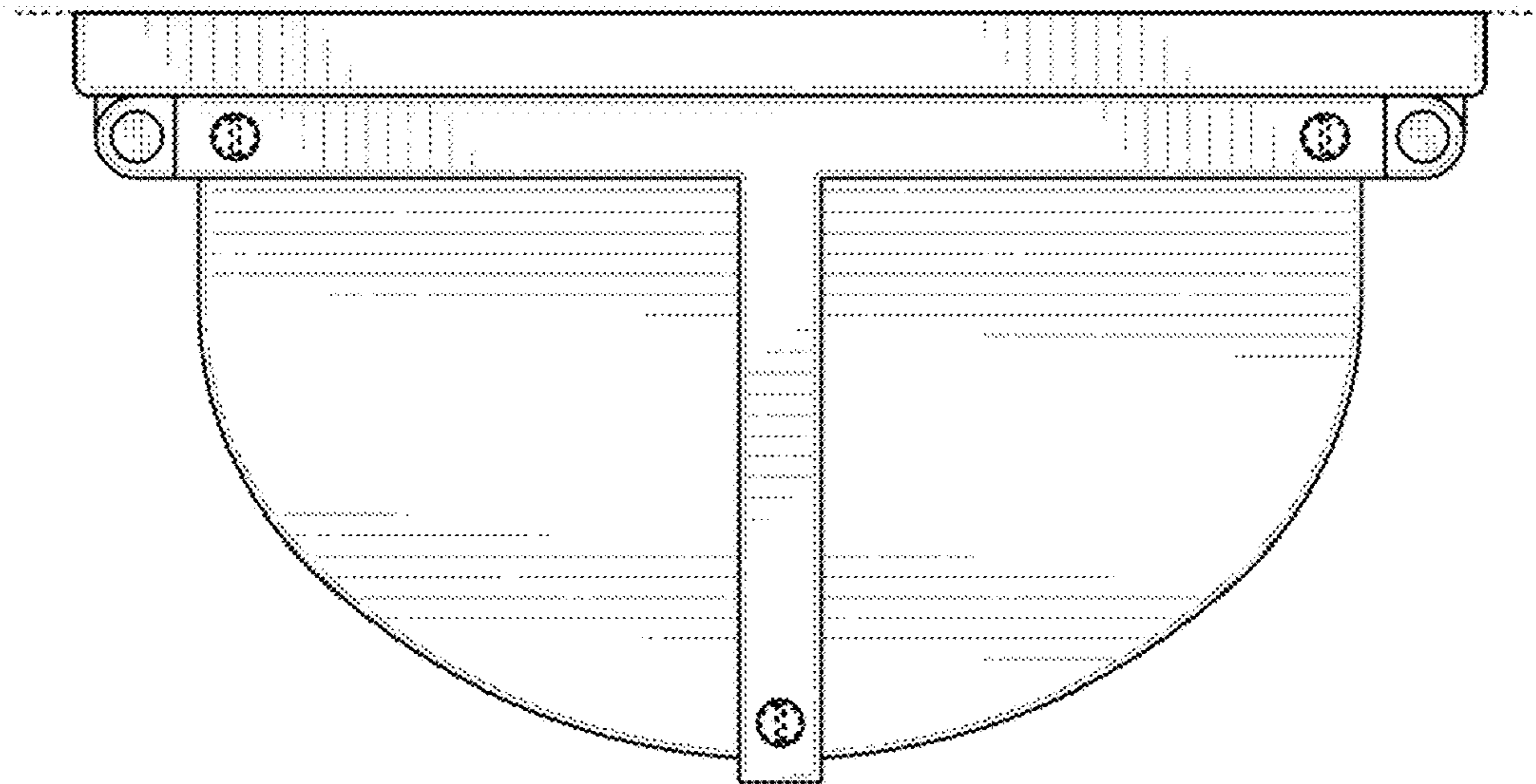


FIG. 6

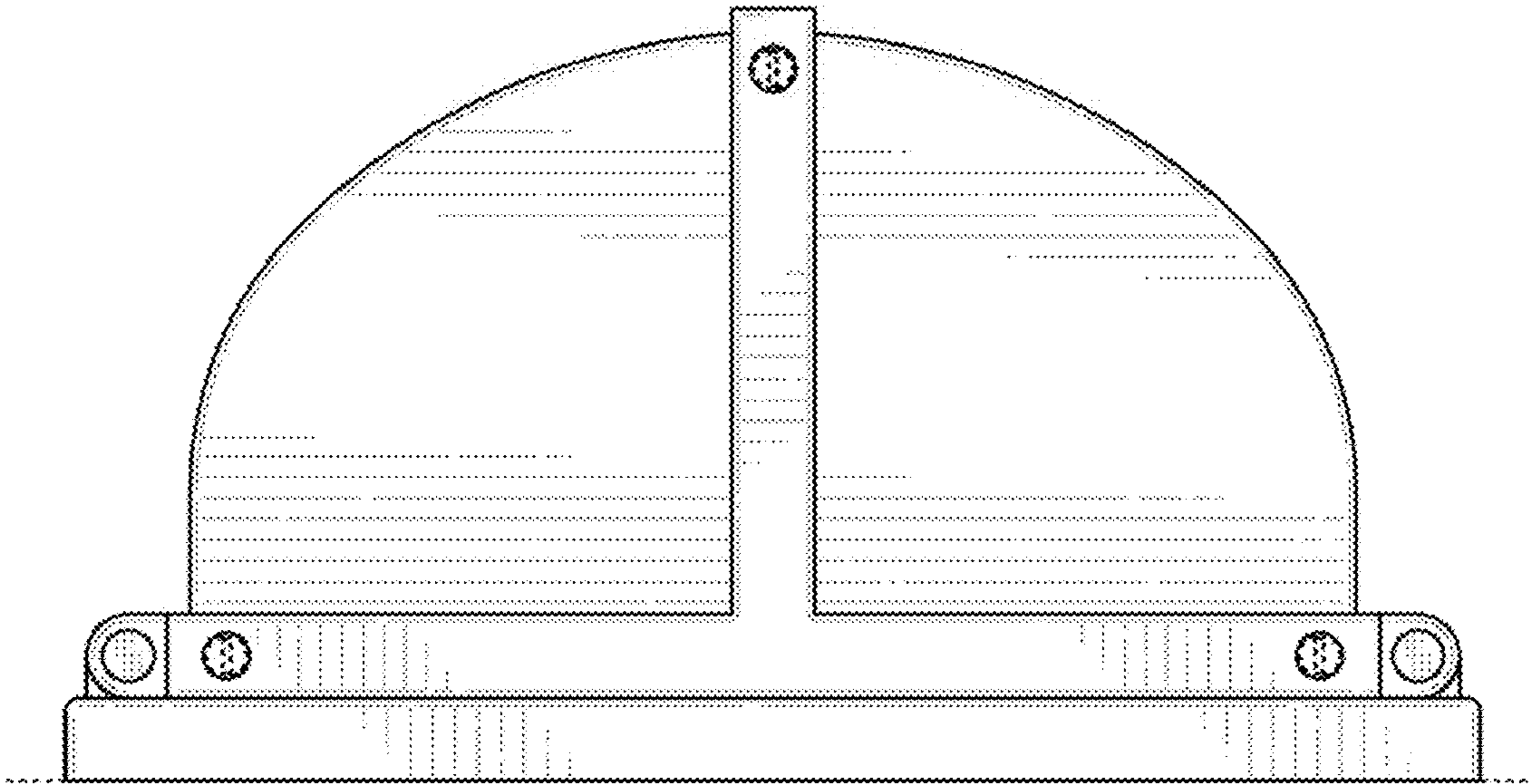


FIG. 7

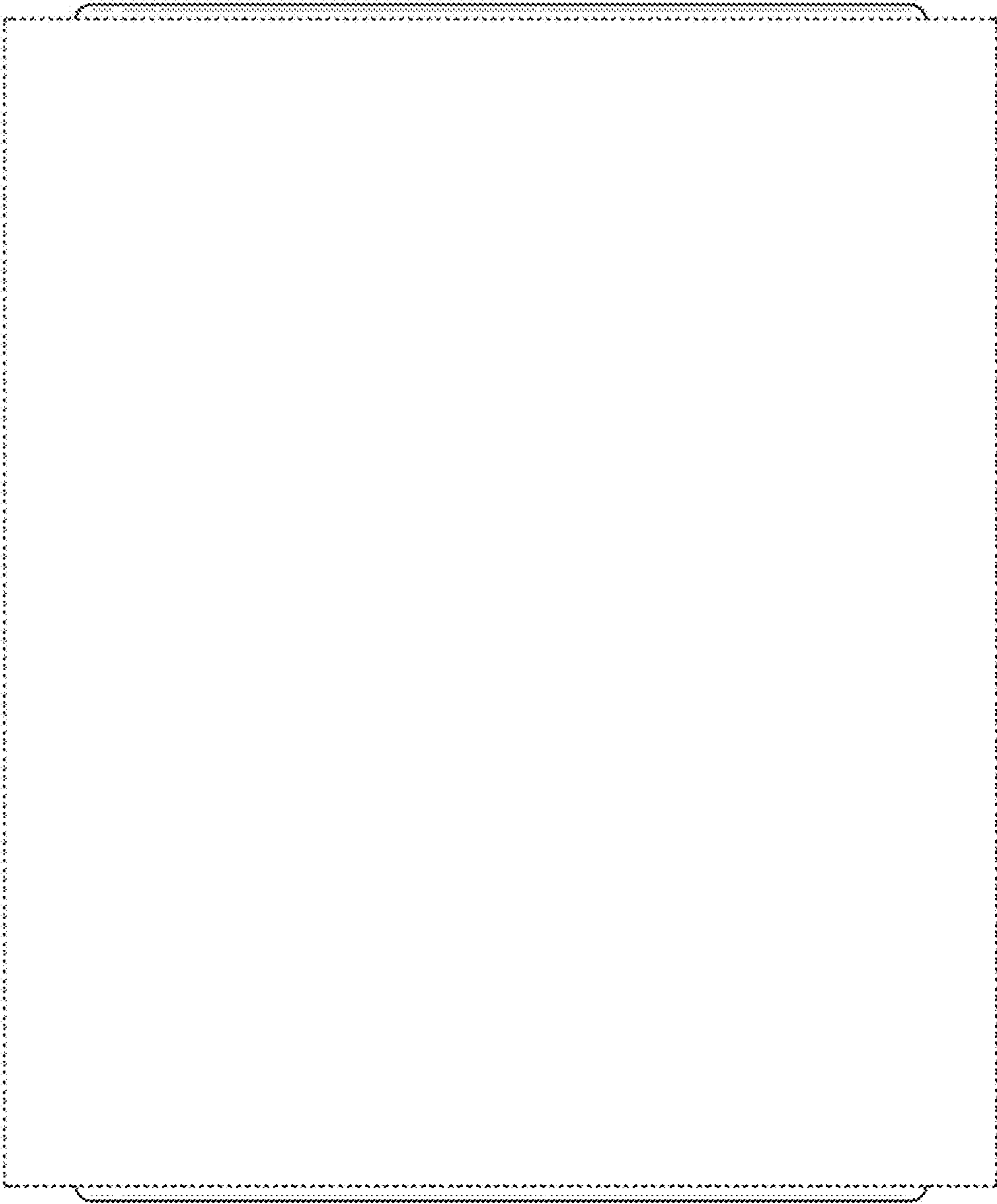


FIG. 8