



US00D830607S

(12) **United States Design Patent**
Recker et al.

(10) **Patent No.:** **US D830,607 S**

(45) **Date of Patent:** **** Oct. 9, 2018**

(54) **STEP LIGHT**

(71) Applicant: **A9.com, Inc.**, Palo Alto, CA (US)

(72) Inventors: **Michael V. Recker**, Gaithersburg, MD (US); **David B. Levine**, Pepper Pike, OH (US); **Ryan D. Hruska**, North Royalton, OH (US)

(73) Assignee: **A9.com, Inc.**, Palo Alto, CA (US)

(**) Term: **15 Years**

(21) Appl. No.: **29/611,134**

(22) Filed: **Jul. 19, 2017**

(51) **LOC (11) Cl.** **26-03**

(52) **U.S. Cl.**

USPC **D26/85**

(58) **Field of Classification Search**

USPC D26/72, 85; D10/106.6, 106.8
CPC F21S 8/03; F21S 8/033; F21S 8/036; F21S 8/037; F21S 9/022; F21S 9/024; F21S 9/03; F21S 9/037; F21V 33/0076; F21W 2121/004; F21W 2131/107
See application file for complete search history.

(56) **References Cited**

U.S. PATENT DOCUMENTS

D211,820 S * 7/1968 Pettengill D26/85
D339,079 S * 9/1993 Behlke D10/106.6
D516,445 S * 3/2006 DiPasquale D10/106.6
D564,688 S * 3/2008 Korpi
D594,364 S * 6/2009 Decker D10/106.8
D603,997 S * 11/2009 Shiu D26/72
D684,718 S * 6/2013 Ko D26/72
8,979,353 B2 * 3/2015 Wilson B60Q 3/74
362/217.13
D728,144 S * 4/2015 Recker D26/85

D769,757 S * 10/2016 Savage, Jr. G08B 5/38
D10/109.2
9,618,193 B1 * 4/2017 Lord F21V 21/08
9,797,581 B2 * 10/2017 Tang F21S 8/033

FOREIGN PATENT DOCUMENTS

TW D147094 5/2012
TW D159376 3/2014
TW D171335 10/2015

OTHER PUBLICATIONS

Mr. Beams MB530 Wireless Battery-Operated Motion Sensing Step/Stair Light. First available at amazon.com May 9, 2008. (Year: 2008).*
Intelligent Body Motion Sensor Night Light No. 229875401 at GearBest.com as early as Jan. 8, 2018. (Year: 2018).*

* cited by examiner

Primary Examiner — Clare E Heflin

(74) *Attorney, Agent, or Firm* — Lee & Hayes, PLLC

(57)

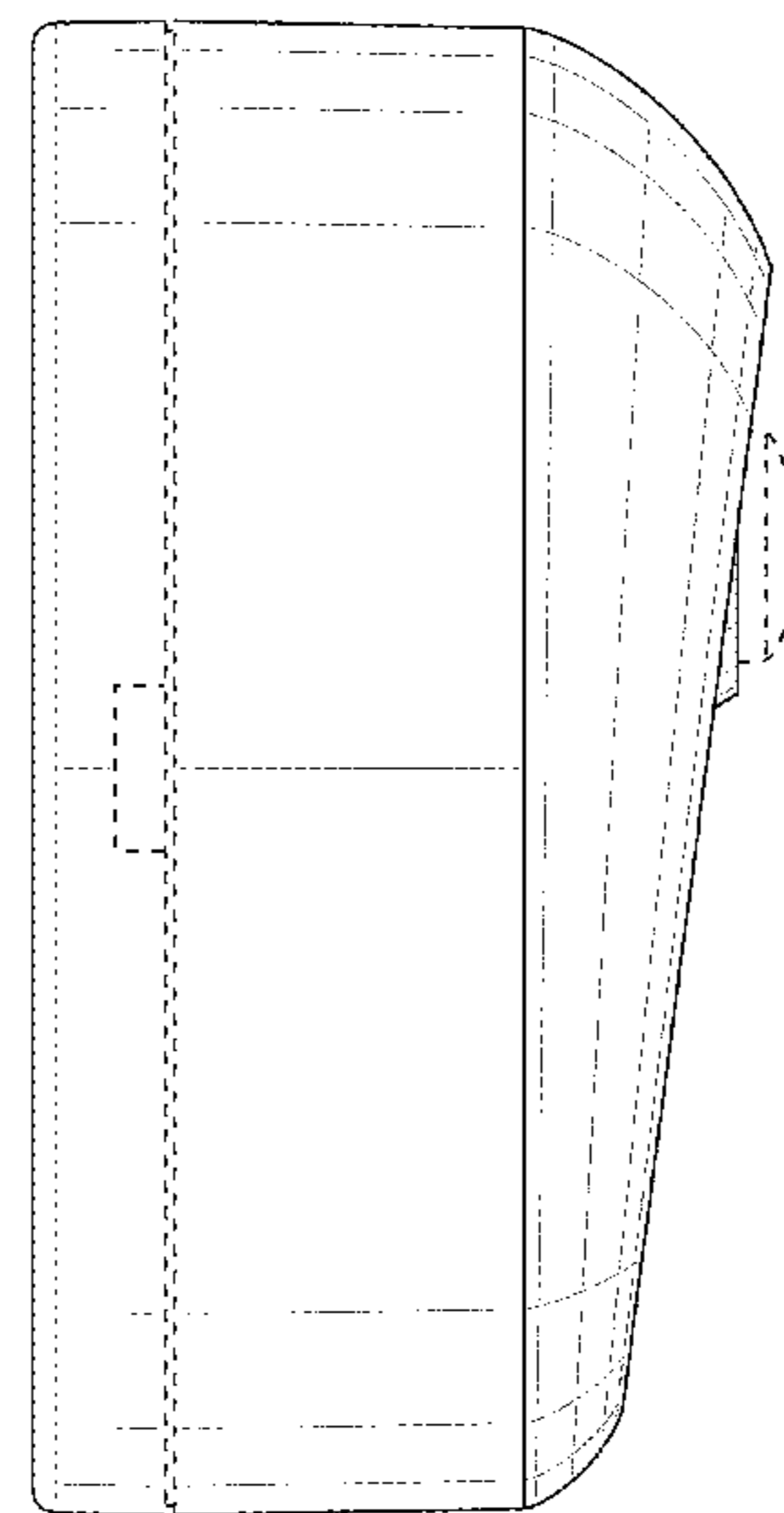
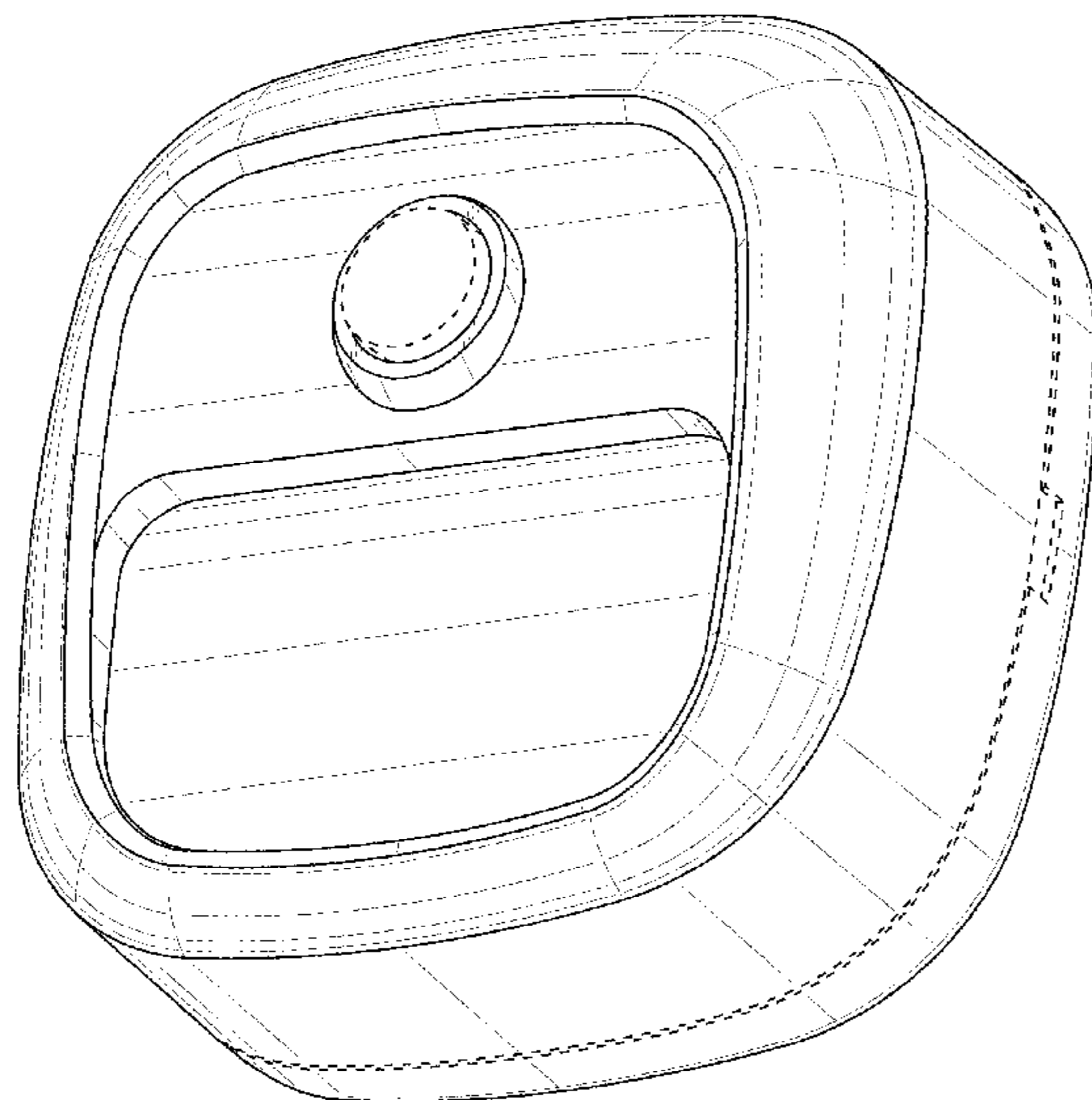
CLAIM

The ornamental design for a step light, as shown and described.

DESCRIPTION

FIG. 1 is a front, right, bottom perspective view of a step light showing our new design;
FIG. 2 is a rear, left, top perspective view thereof;
FIG. 3 is a front elevation view thereof;
FIG. 4 is a rear elevation view thereof;
FIG. 5 is a left side view thereof;
FIG. 6 is a right side view thereof;
FIG. 7 is a top plan view thereof; and,
FIG. 8 is a bottom plan view thereof.
The broken lines shown in the drawings depict portions of the step light that form no part of the claimed design.

1 Claim, 8 Drawing Sheets



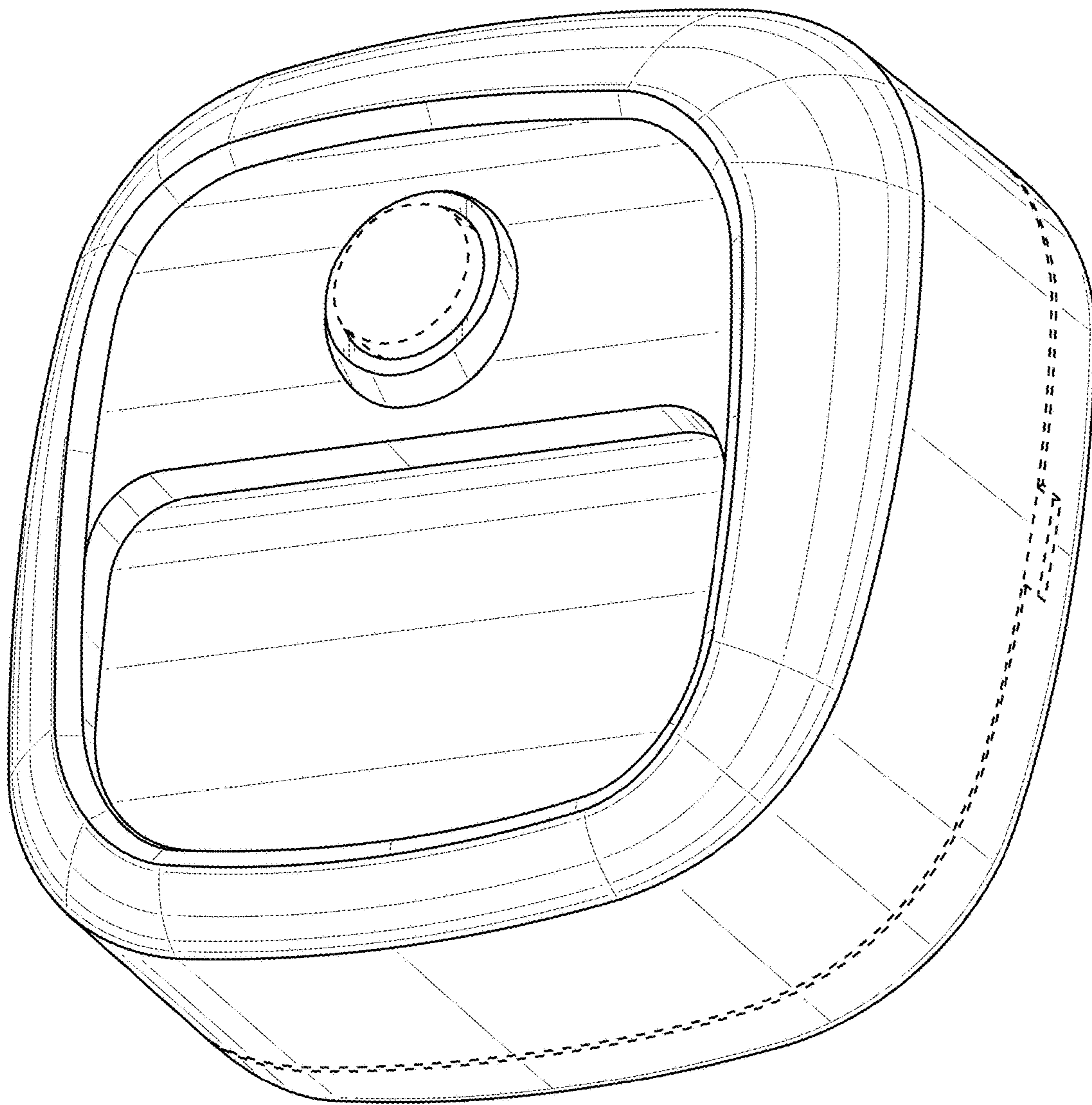


FIG. 1

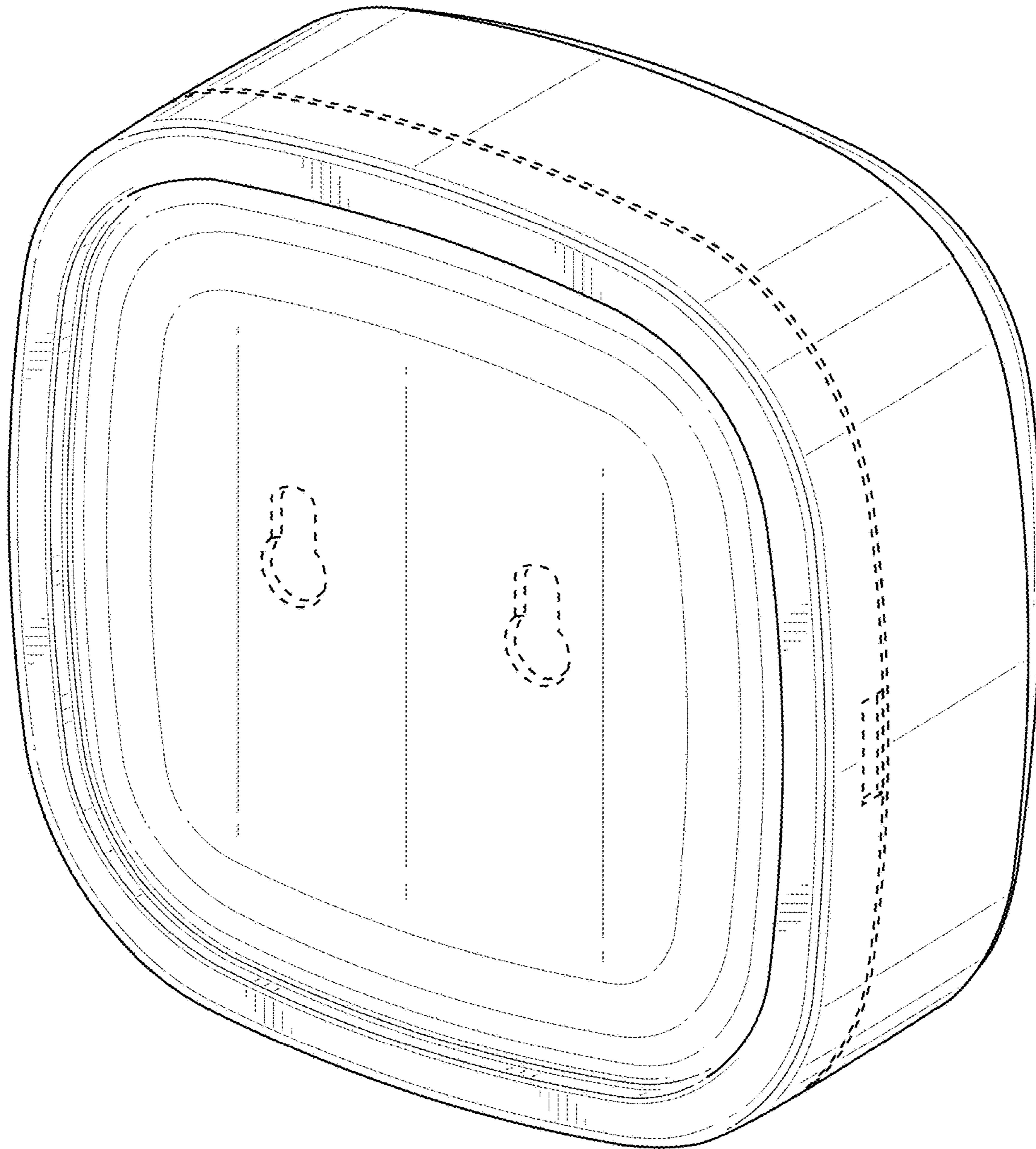


FIG. 2

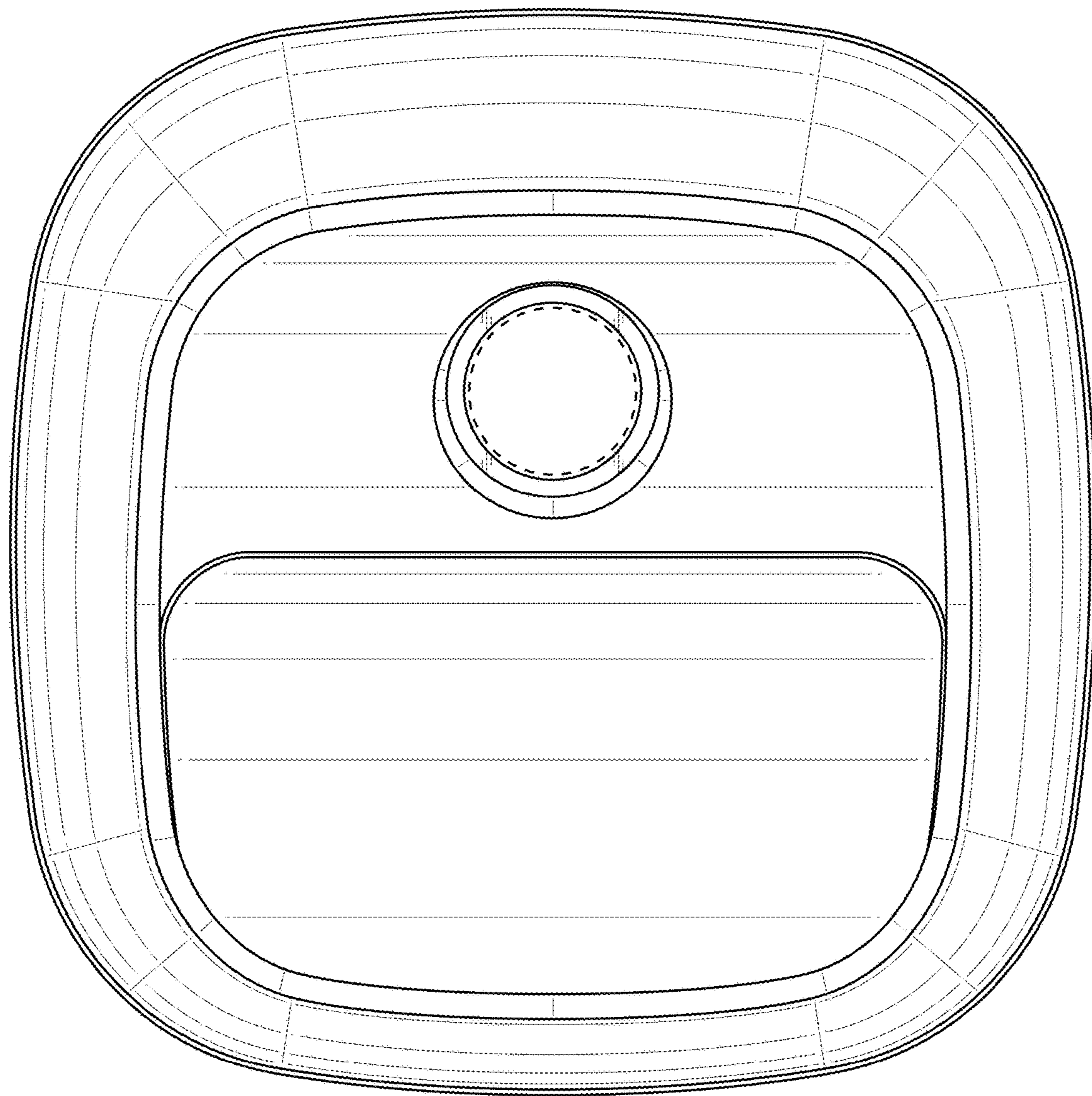


FIG. 3

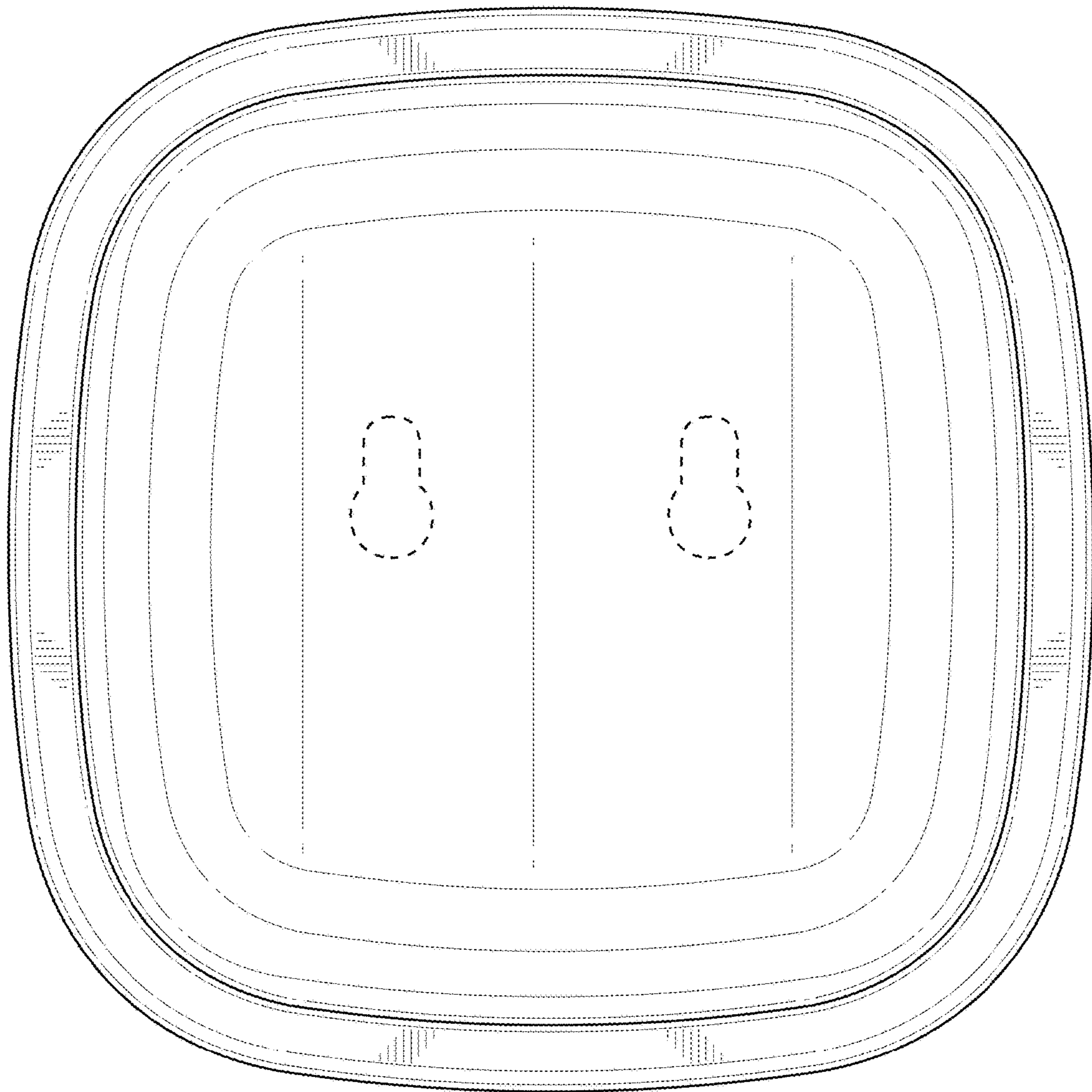


FIG. 4

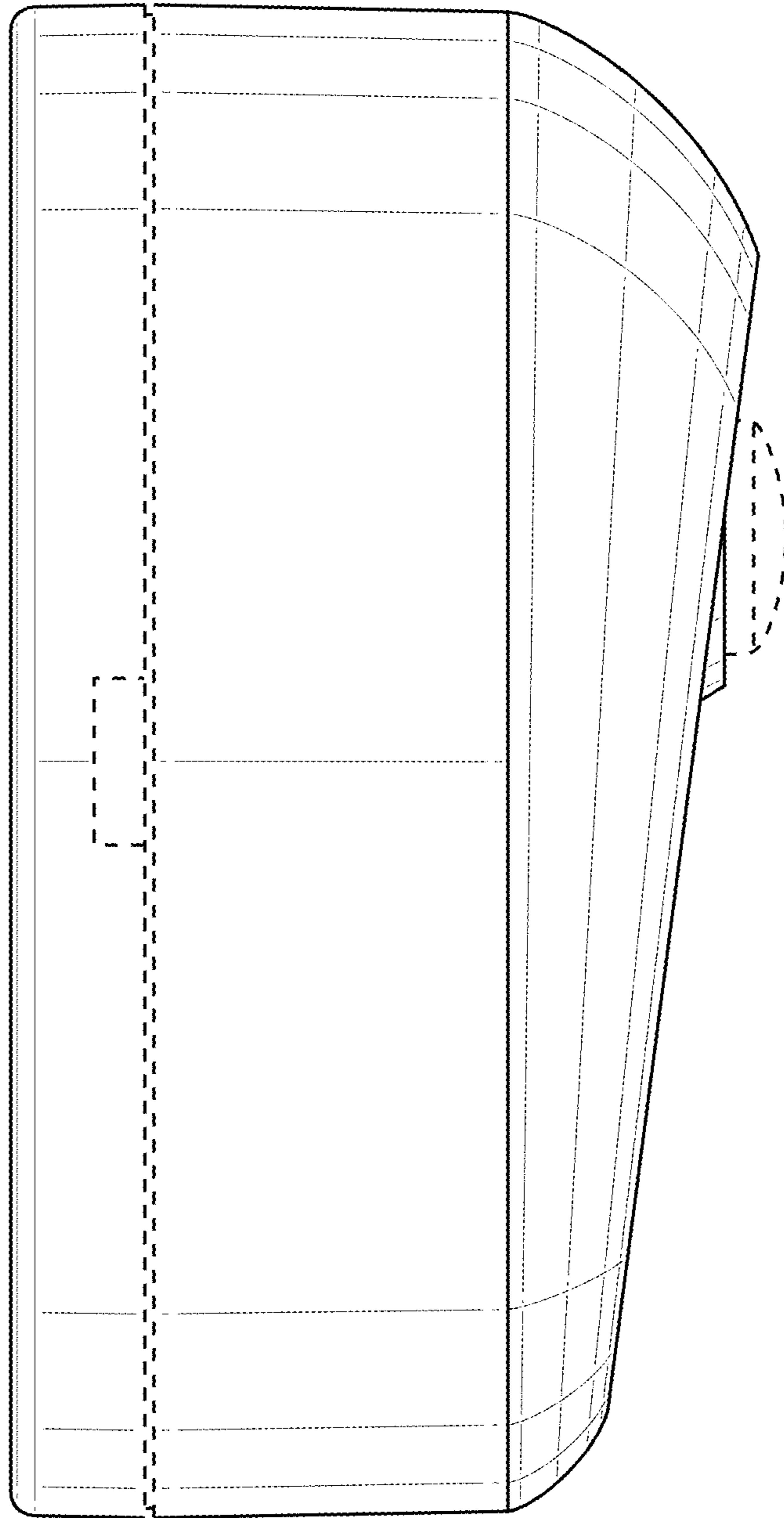


FIG. 5

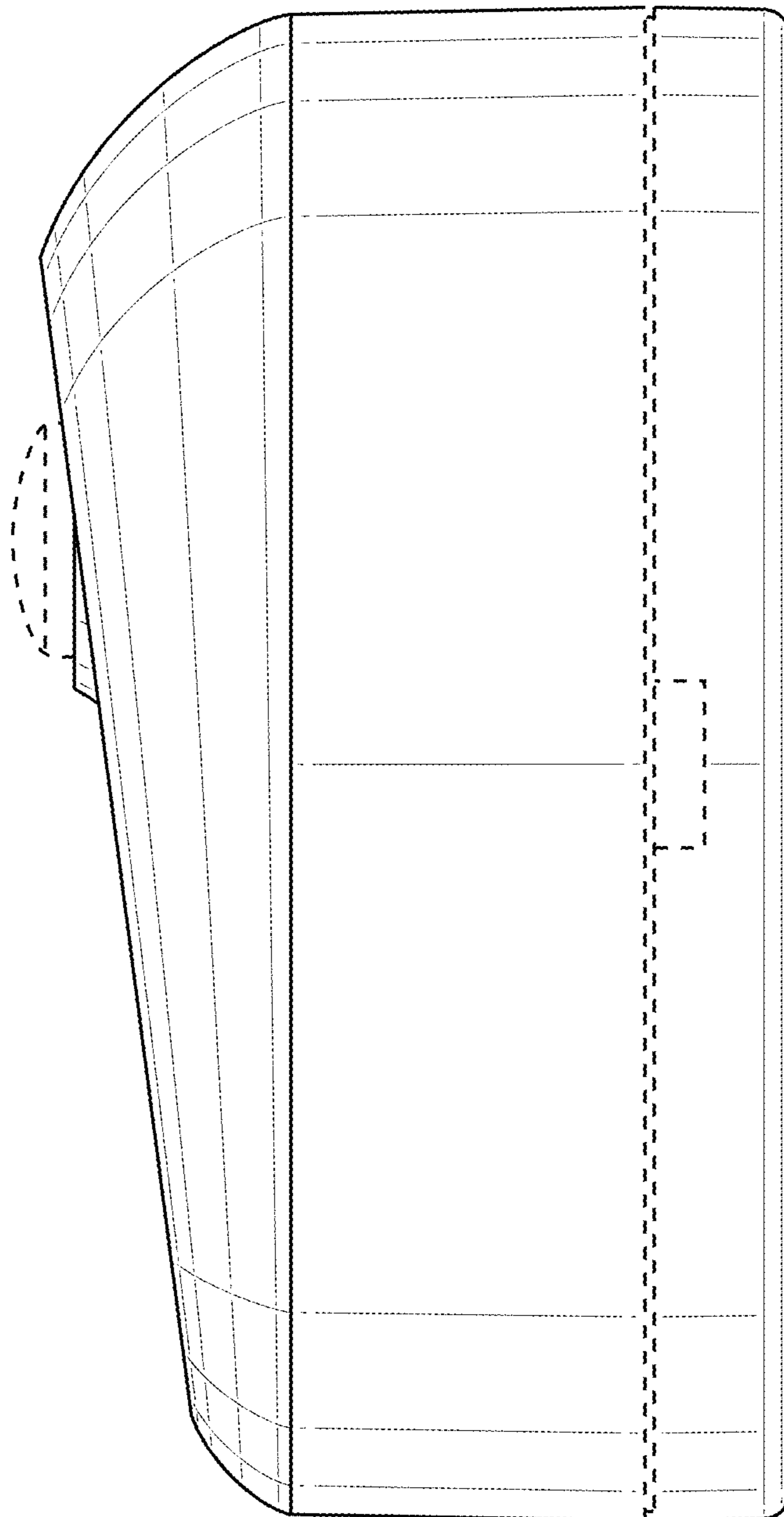


FIG. 6

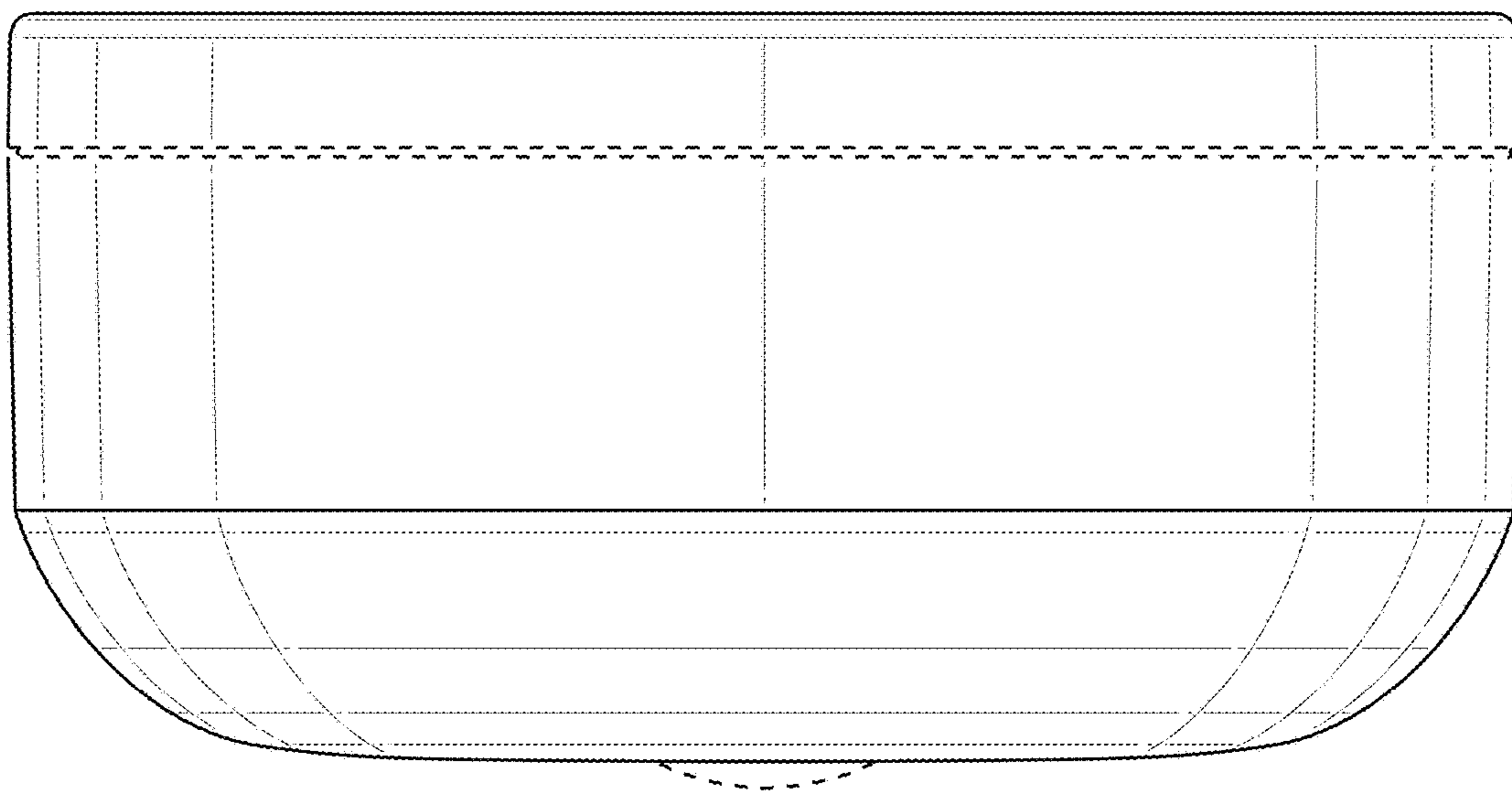


FIG. 7

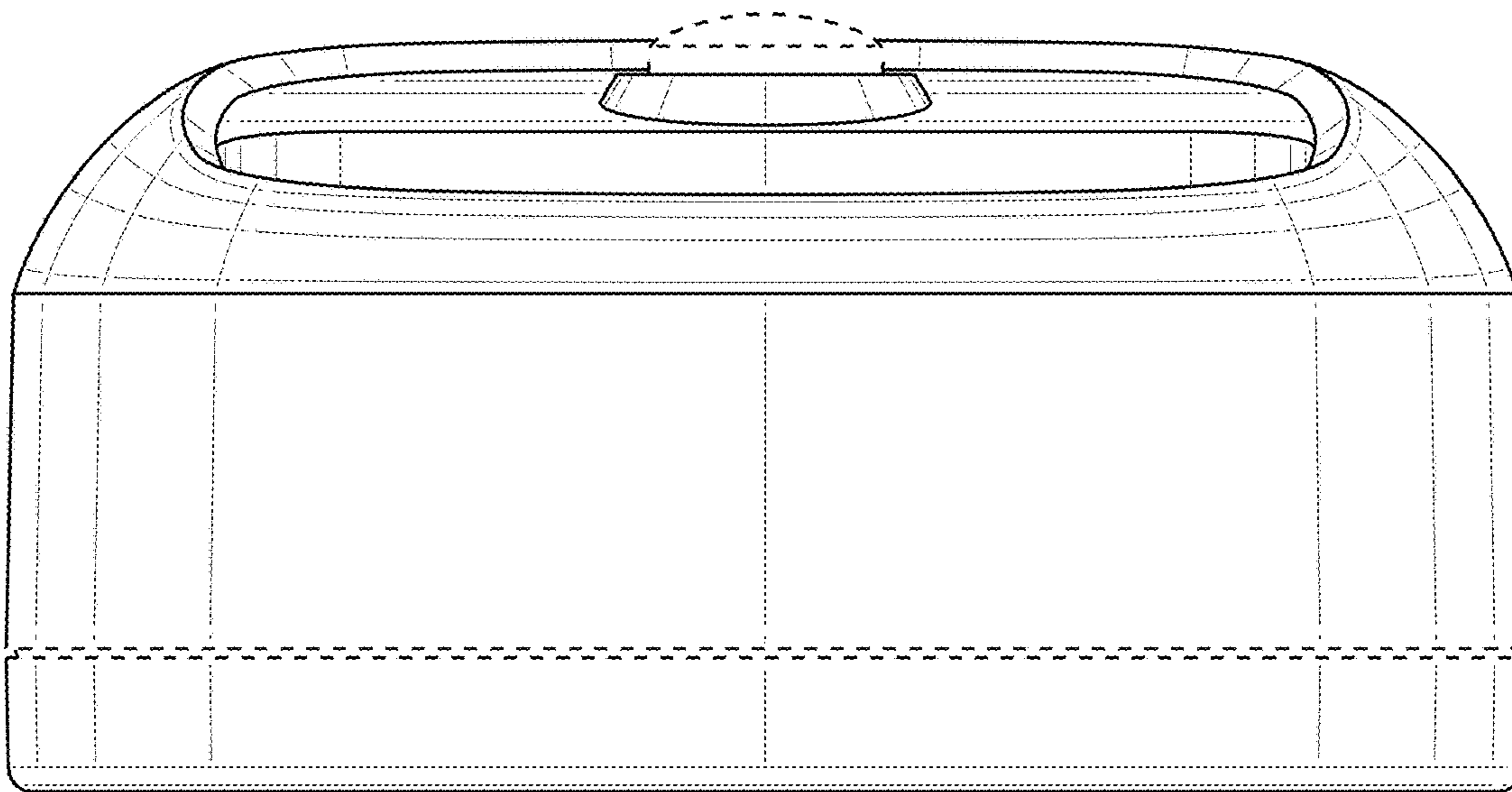


FIG. 8