



US00D830606S

(12) **United States Design Patent**
Gambrel et al.

(10) **Patent No.:** **US D830,606 S**
(45) **Date of Patent:** **** Oct. 9, 2018**

(54) **LIGHTING FIXTURE**

(71) Applicant: **The Urban Electric Company**, North Charleston, SC (US)
(72) Inventors: **Steven Gambrel**, New York, NY (US); **Michael Amato**, Johns Island, SC (US); **David Dawson**, Charleston, SC (US); **Jonathan Charpia**, Summerville, SC (US); **Christopher Roof**, Charleston, SC (US); **Joeangel Casanova**, North Charleston, SC (US); **Courtney Salsbury**, Mount Pleasant, SC (US); **Brianna Magagnoli**, North Charleston, SC (US)

(73) Assignee: **The Urban Electric Company**, North Charleston, SC (US)

(**) Term: **15 Years**

(21) Appl. No.: **29/600,578**

(22) Filed: **Apr. 13, 2017**

(51) **LOC (11) Cl.** **26-05**

(52) **U.S. Cl.**
USPC **D26/85; D26/92**

(58) **Field of Classification Search**
USPC D10/104.1, 106.1, 106.6, 106.8;
D25/38.1, 40, 41.1, 43, 44; D26/10, 37,
D26/38, 40, 51, 60, 67, 68, 72, 76, 78,
D26/82, 85, 86, 92, 104, 106, 145
CPC F21S 8/00; F21S 8/02; F21S 8/04; F21S
8/003; F21S 8/006; F21S 6/00; F21S
9/022; F21S 9/037
See application file for complete search history.

(56) **References Cited**

U.S. PATENT DOCUMENTS

2,800,573 A * 7/1957 Hudson B41J 29/19
248/316.7
3,108,751 A * 10/1963 Rodmaker F21S 8/00
362/427

D257,895 S * 1/1981 Wotowiec D26/85
D295,329 S * 4/1988 Roos D26/104
5,491,621 A * 2/1996 Duty F21V 19/009
362/396
5,727,869 A * 3/1998 Crosby F21S 8/031
362/217.08
D421,146 S * 2/2000 Poulton D26/76
D425,234 S * 5/2000 Marier D26/60
D505,744 S * 5/2005 Kan D26/76
D550,885 S * 9/2007 Crosby D26/75
D642,319 S * 7/2011 Sprengers D26/85
D647,662 S * 10/2011 Verelst D26/85
D670,019 S * 10/2012 Sabernig D26/85
D689,647 S * 9/2013 Brott D26/86

(Continued)

OTHER PUBLICATIONS

Jonas Laze, Picture Light, Jul. 10, 2013.

Primary Examiner — Kevin K Rudzinski

Assistant Examiner — Richard Kearney

(74) *Attorney, Agent, or Firm* — Jeffrey T. Stover;
Haynsworth Sinkler Boyd, P.A.

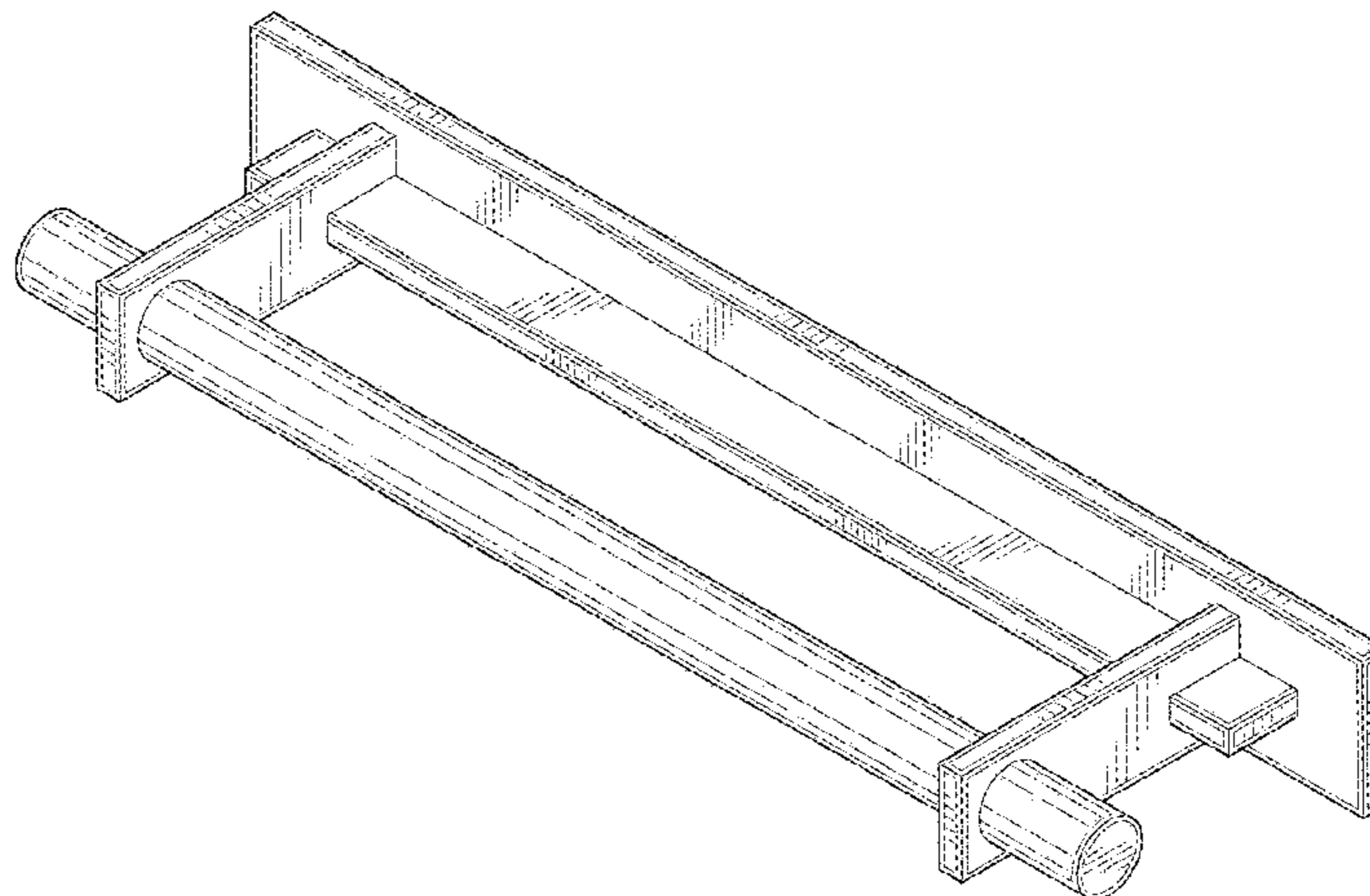
(57) **CLAIM**

The ornamental design for a lighting fixture, as shown and described.

DESCRIPTION

FIG. 1 is a top perspective view of a new lighting fixture; FIG. 2 is a front elevational view thereof; FIG. 3 is a left elevational view thereof; FIG. 4 is a right elevational view thereof; FIG. 5 is a top plan view thereof; FIG. 6 is a bottom plan view thereof; and, FIG. 7 is a rear perspective view thereof. The broken lines shown in the drawings illustrate portions of the lighting fixture and environment that form no part of the claimed design.

1 Claim, 7 Drawing Sheets



(56)

References Cited

U.S. PATENT DOCUMENTS

D724,776 S *	3/2015	Sonneman	D26/85
D728,148 S *	4/2015	Knudsen	D26/89
D747,539 S *	1/2016	Santoro	D26/120
D759,889 S *	6/2016	Seehof	D25/41.1
D760,417 S *	6/2016	Benensohn	D26/76
D760,425 S *	6/2016	Seehof	D25/41.1
D782,099 S *	3/2017	Orozco	D26/85
D796,106 S *	8/2017	Hoffmeister	D26/76
D796,107 S *	8/2017	Boorum	D26/87
D824,076 S *	7/2018	Sonneman	D26/86

* cited by examiner

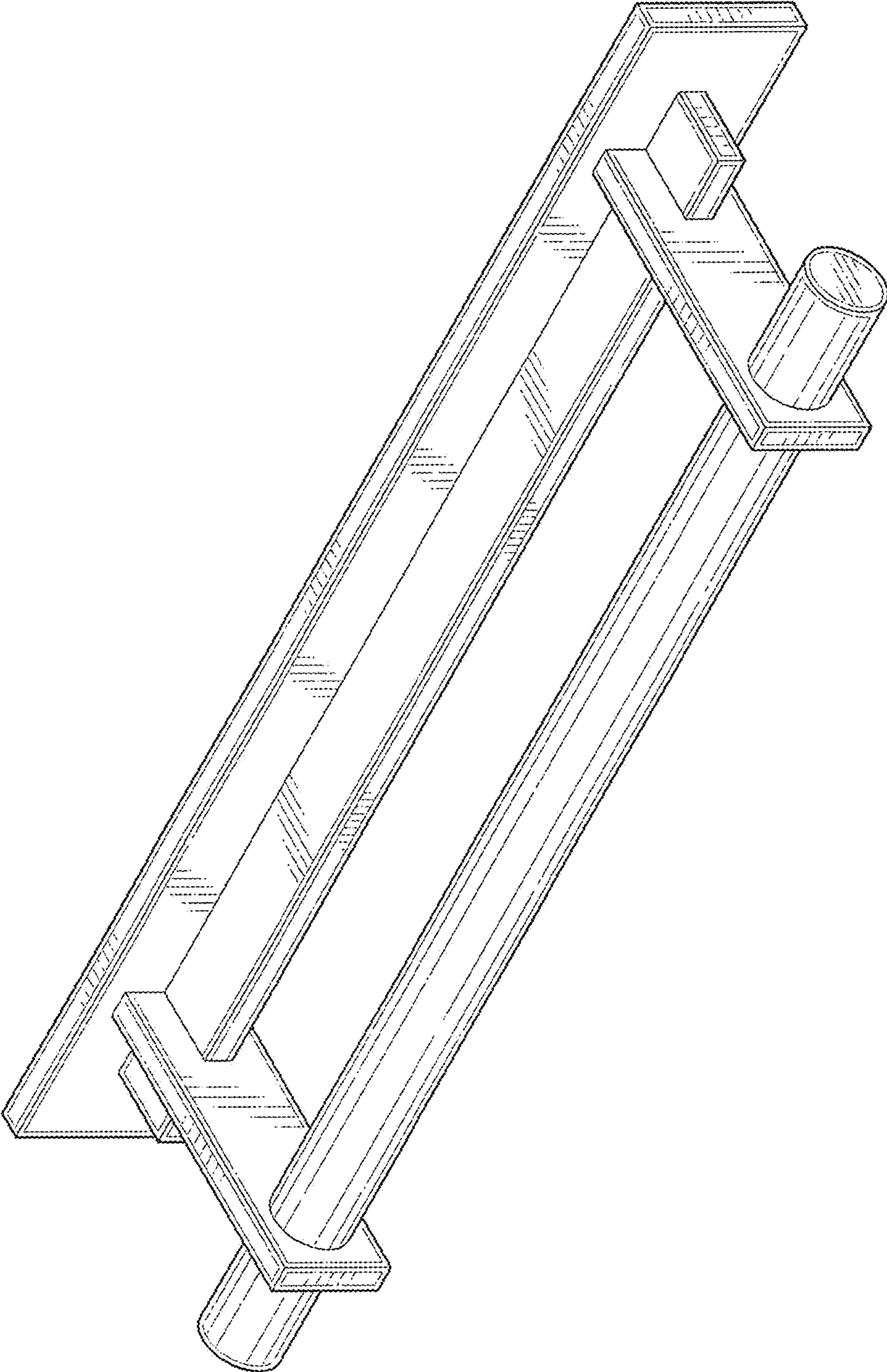


FIG. 1

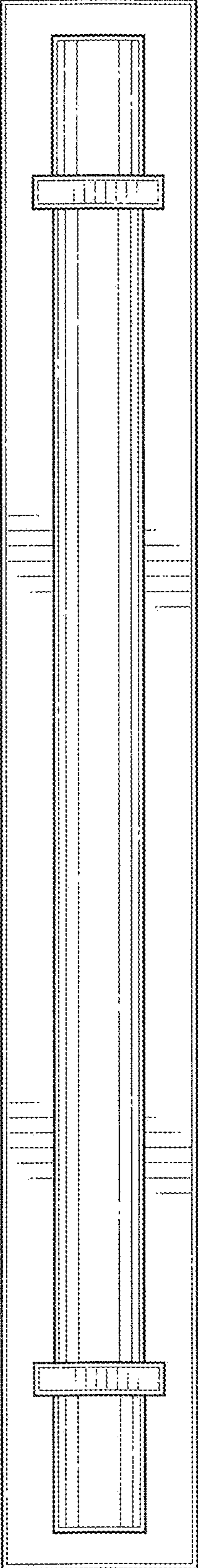


FIG. 2

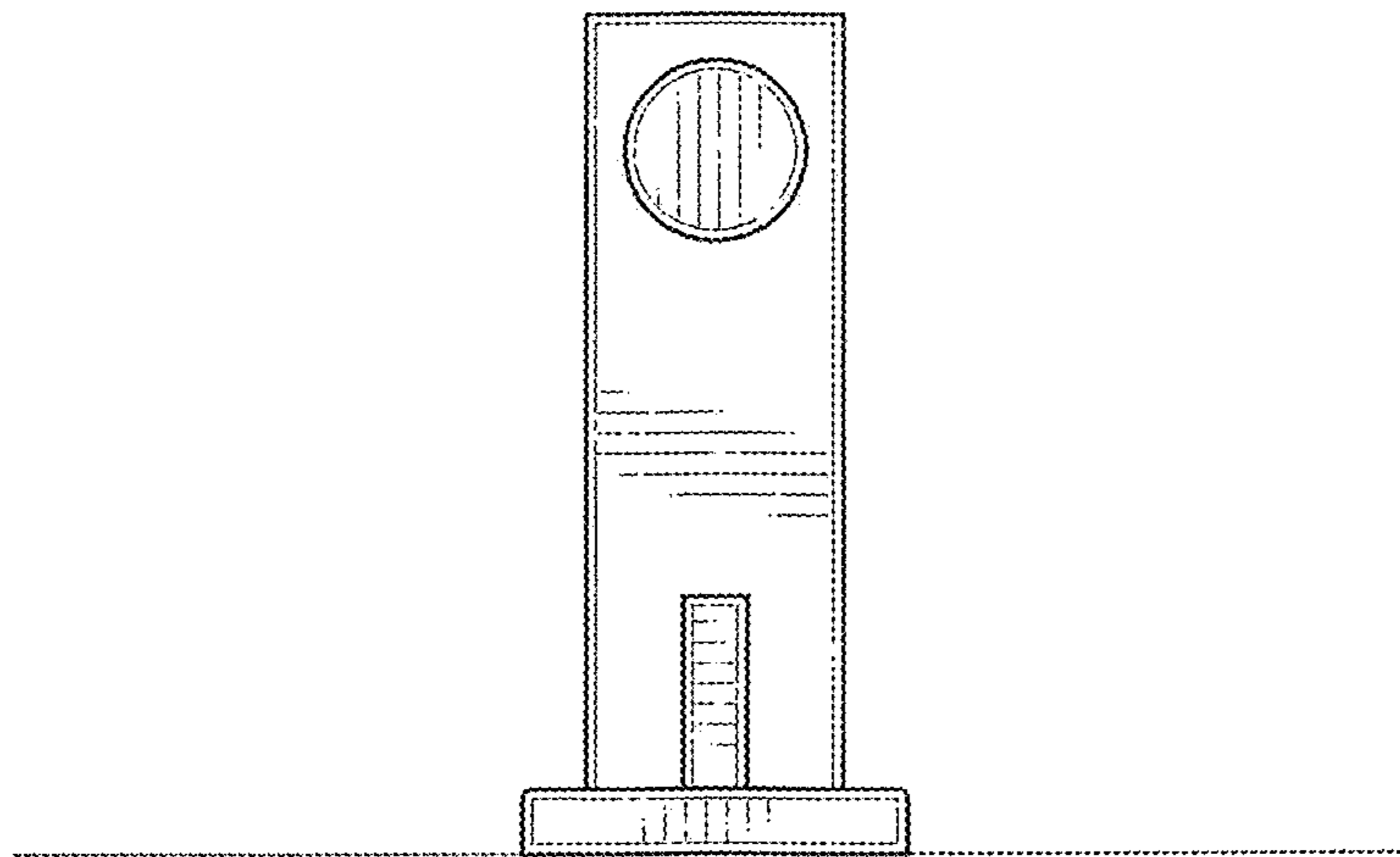


FIG. 3

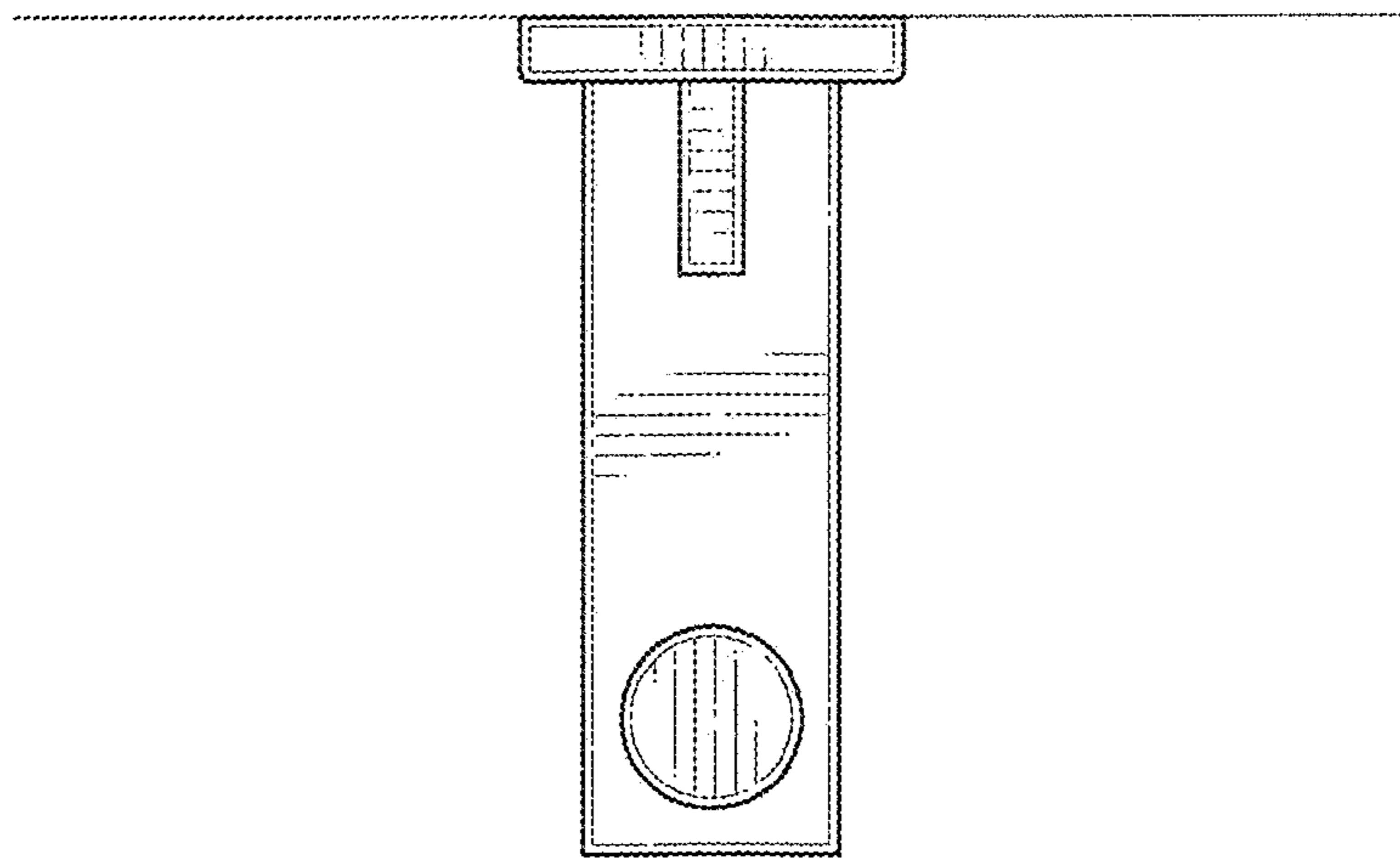


FIG. 4

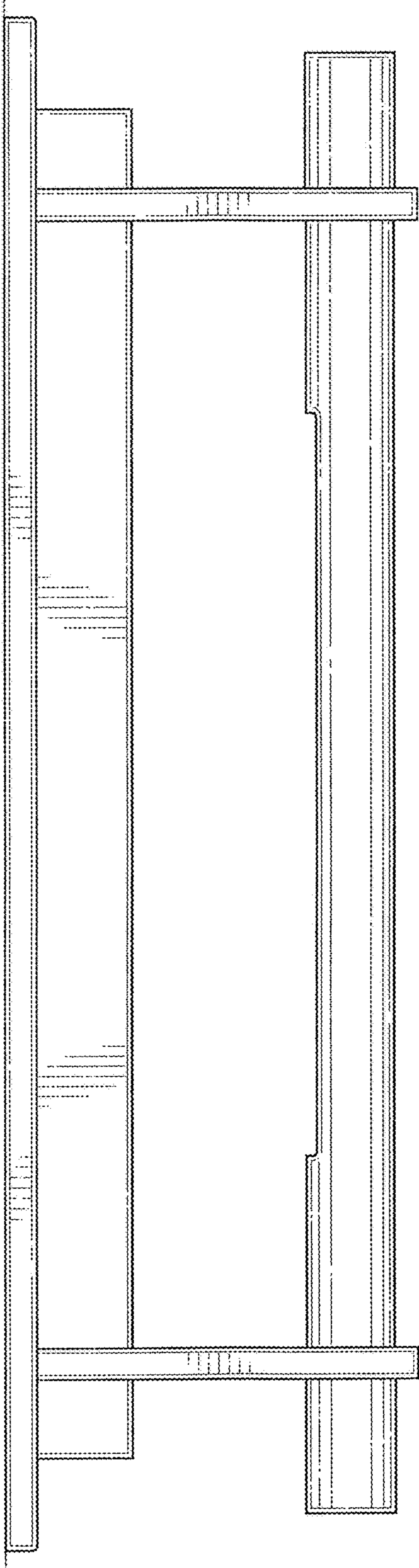


FIG. 5

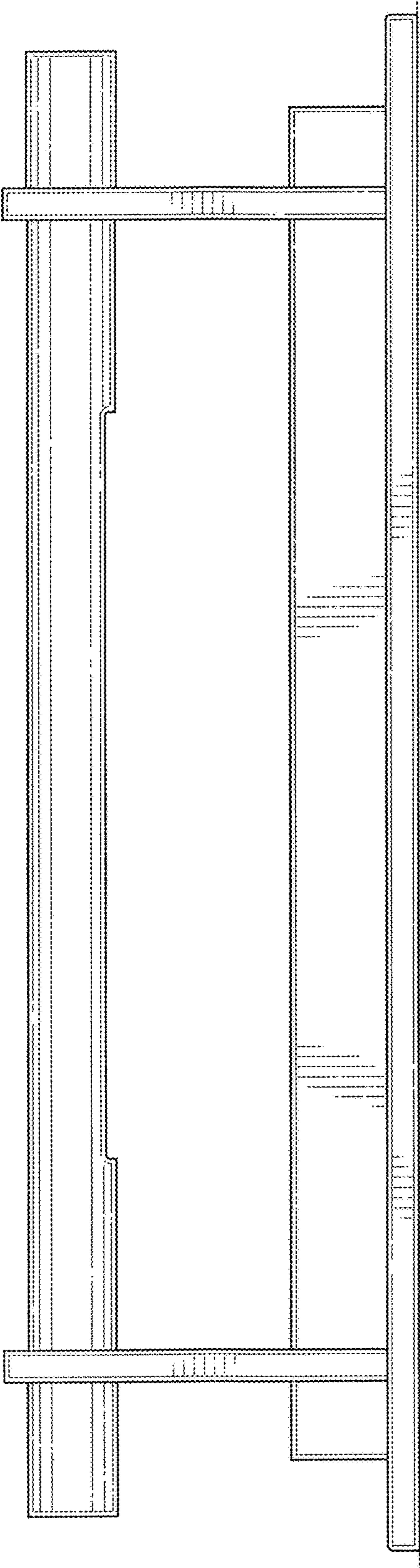


FIG. 6

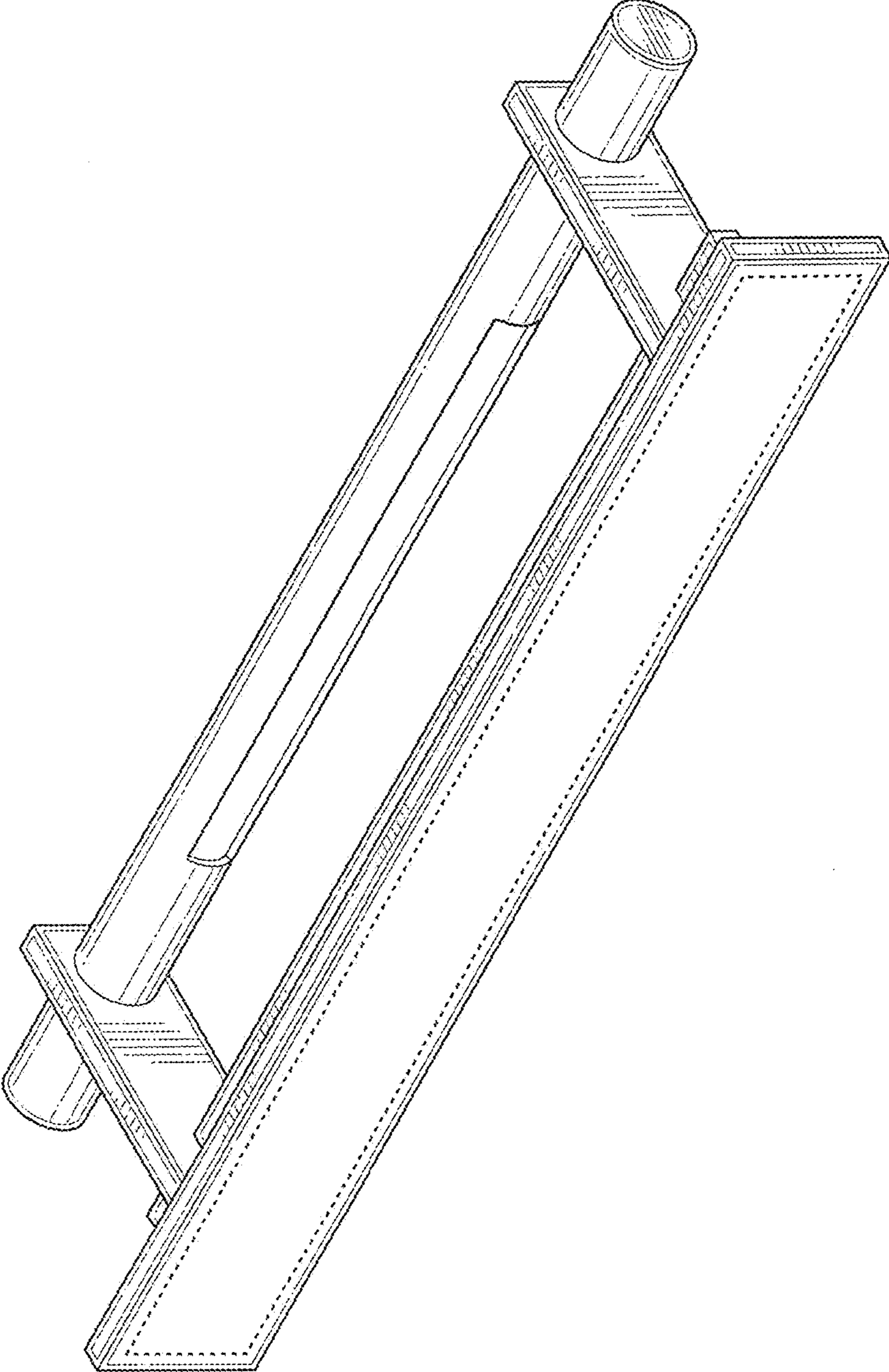


FIG. 7