

US00D830605S

(12) **United States Design Patent** (10) **Patent No.:** **US D830,605 S**  
**Watt et al.** (45) **Date of Patent:** **\*\* \*Oct. 9, 2018**

(54) **LIGHT FIXTURE**

(71) Applicant: **Focal Point, LLC**, Chicago, IL (US)

(72) Inventors: **Graeme Robert Alexander Watt**, Bowdon (GB); **Ken Czech**, Naperville, IL (US); **Wes Cox**, Chicago, IL (US); **Michael David SanFacon**, Naperville, IL (US); **Krutin S. Desai**, Chicago, IL (US)

(73) Assignee: **Focal Point, LLC**, Chicago, IL (US)

(\*) Notice: This patent is subject to a terminal disclaimer.

(\*\*) Term: **15 Years**

(21) Appl. No.: **29/594,464**

(22) Filed: **Feb. 17, 2017**

(51) **LOC (11) Cl.** ..... **26-04**

(52) **U.S. Cl.**  
USPC ..... **D26/76**

(58) **Field of Classification Search**  
USPC ... D26/3, 37, 67, 71, 72, 75, 78, 79, 80, 81, D26/82, 83, 85, 86, 88, 90, 113, 118  
CPC .... F21S 8/06; F21S 8/031; F21S 4/00; F21Y 2101/00  
See application file for complete search history.

(56) **References Cited**

**U.S. PATENT DOCUMENTS**

D292,619 S \* 11/1987 Chen ..... D26/141  
D595,445 S \* 6/2009 Gunter ..... D26/76

D621,989 S \* 8/2010 Proner ..... D26/76  
D665,123 S \* 8/2012 Douglas ..... D26/138  
D731,700 S \* 6/2015 Santoro ..... D26/118  
D740,479 S \* 10/2015 Beno ..... D26/118  
D747,539 S \* 1/2016 Santoro ..... D26/120  
D773,712 S \* 12/2016 Cavaliere ..... D26/75  
D779,703 S \* 2/2017 Stanley ..... D26/78  
D793,617 S \* 8/2017 Trzcielinski ..... D26/118  
D803,455 S \* 11/2017 Blessitt ..... D26/76  
2017/0077368 A1 \* 3/2017 Fujitani ..... H01L 33/62  
2017/0167665 A1 \* 6/2017 Germain ..... F21V 17/164

\* cited by examiner

*Primary Examiner* — John Windmuller  
*Assistant Examiner* — Benjamin M Weeks  
(74) *Attorney, Agent, or Firm* — Banner & Witcoff, Ltd.

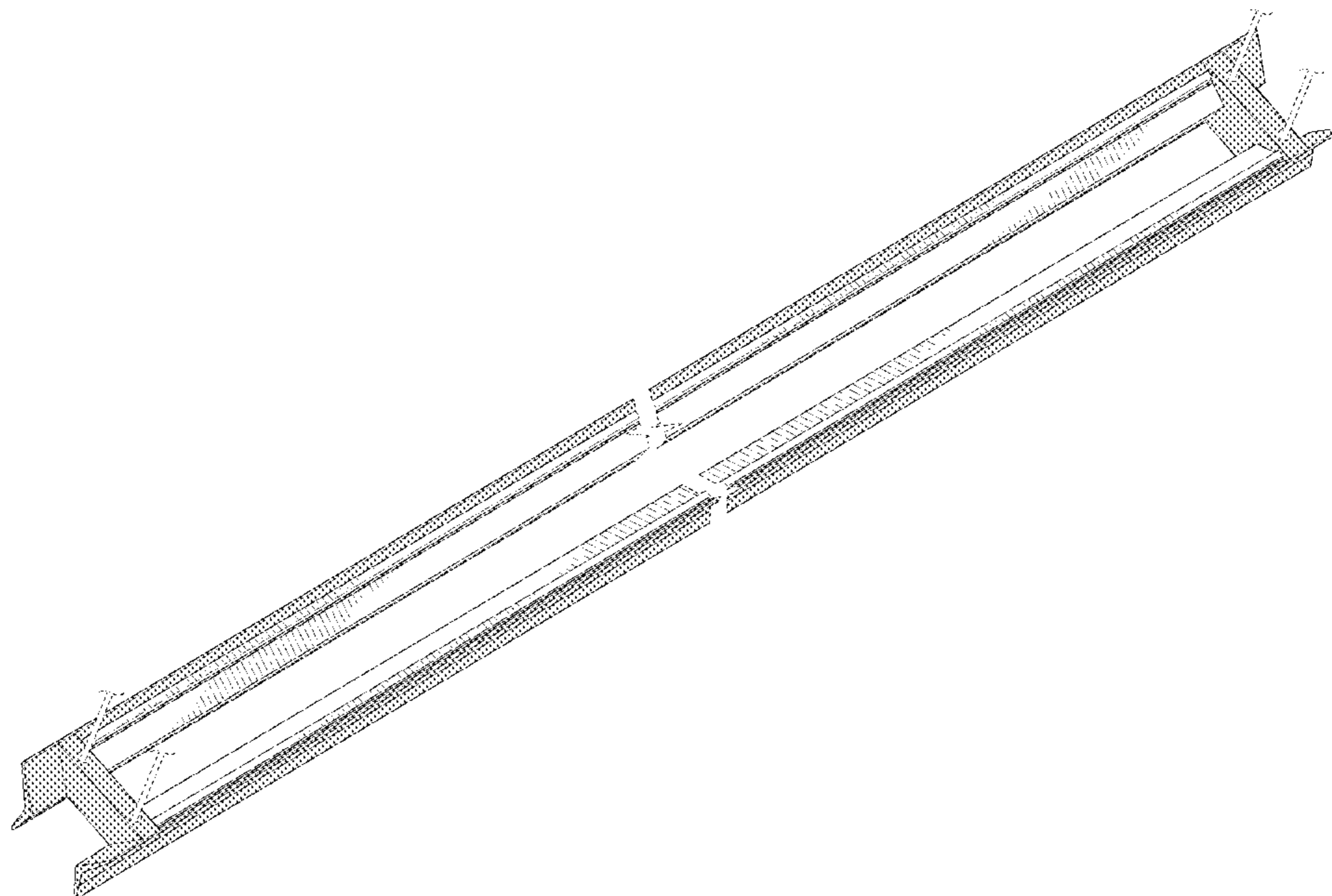
(57) **CLAIM**

The ornamental design for a light fixture, as shown and described.

**DESCRIPTION**

FIG. 1 is a top perspective view of a light fixture showing our new design;  
FIG. 2 is a bottom perspective view thereof;  
FIG. 3 is a side view thereof wherein the alternate side view is a mirror image of FIG. 3;  
FIG. 4 is a front view thereof wherein the rear view is a mirror image of FIG. 4  
FIG. 5 is a top view thereof; and,  
FIG. 6 is a bottom view thereof.  
The broken lines represent portions of the light fixture that form no part of the claimed design. The light fixture is shown broken away in the middle to indicate that it has no specific length other than the one shown.

**1 Claim, 4 Drawing Sheets**



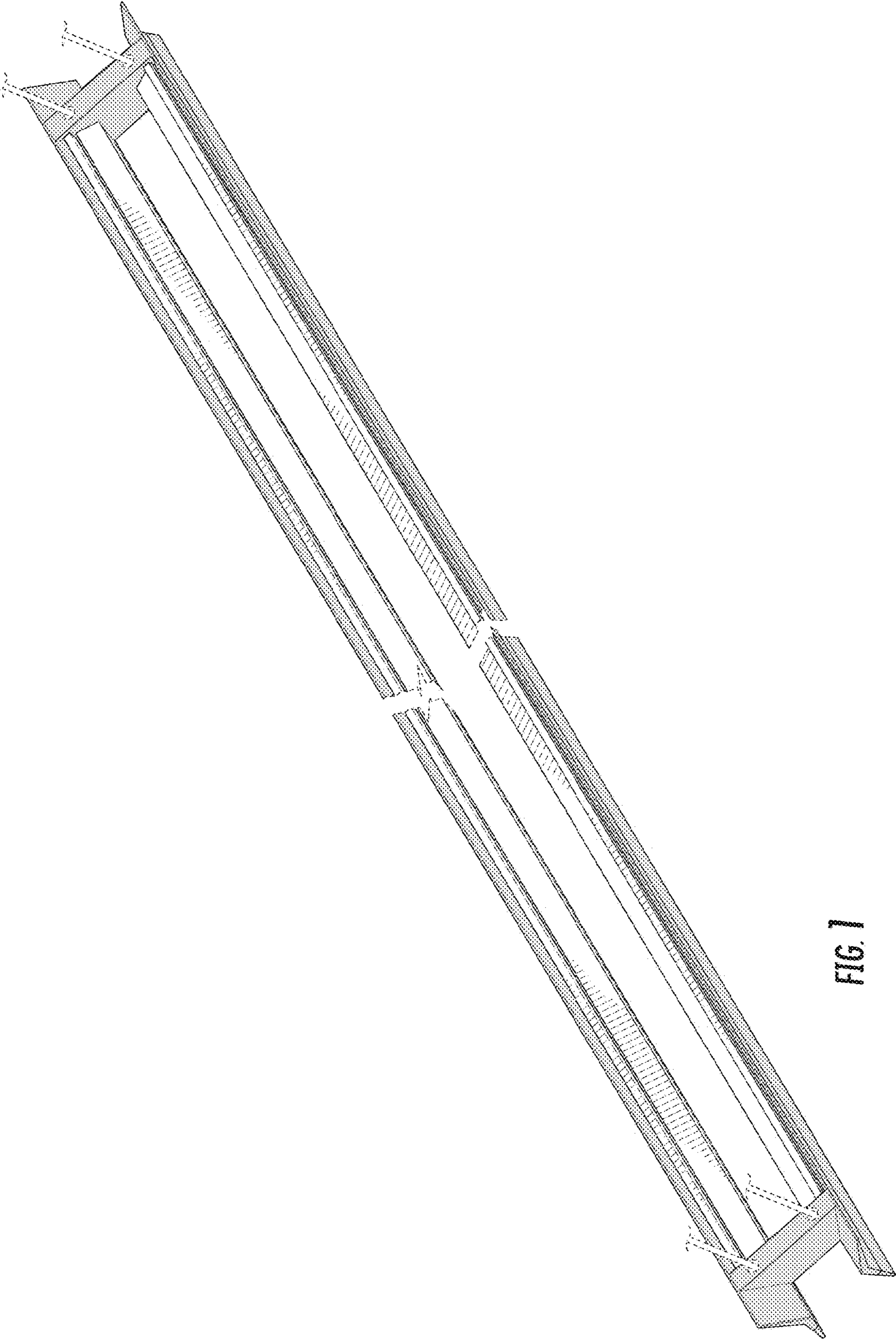


FIG. 1

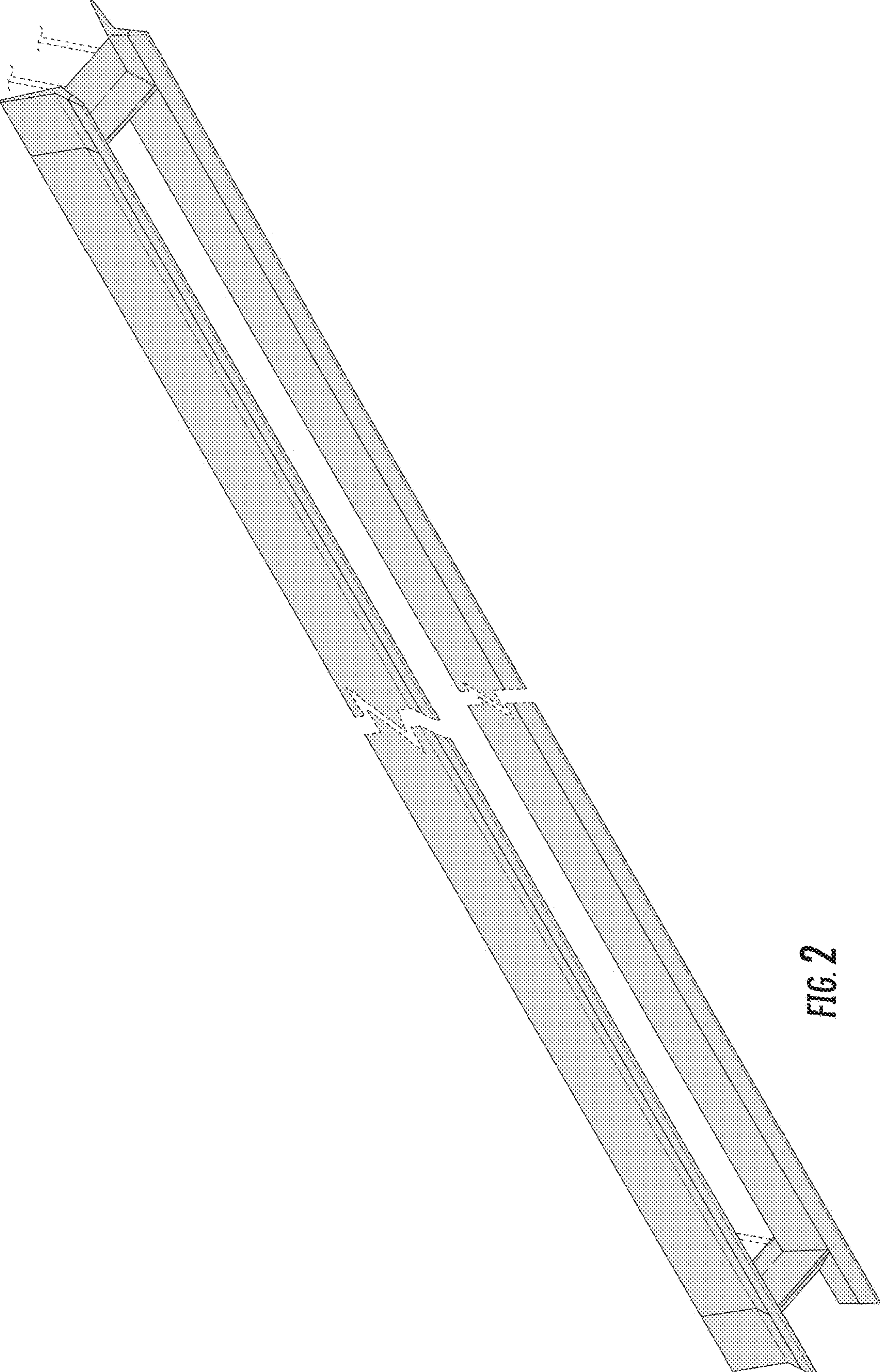


FIG. 2

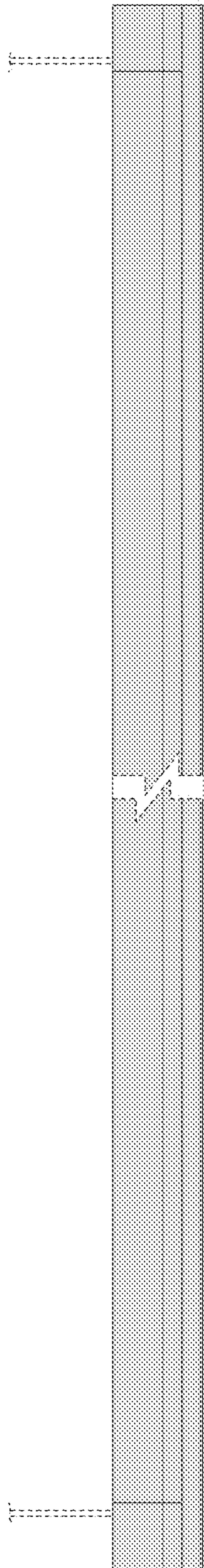


FIG. 3

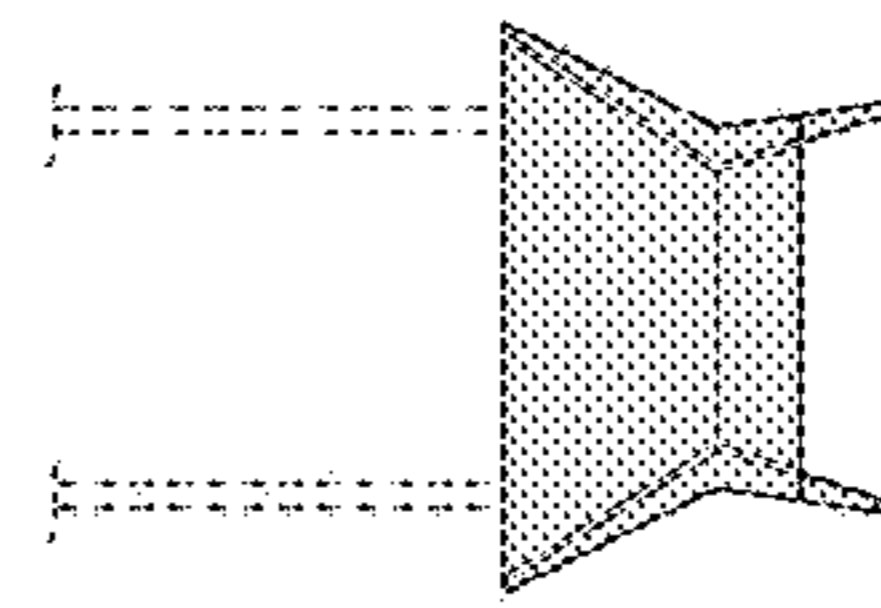


FIG. 4

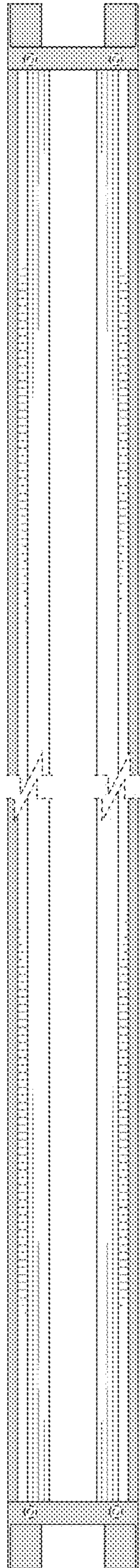


FIG. 5

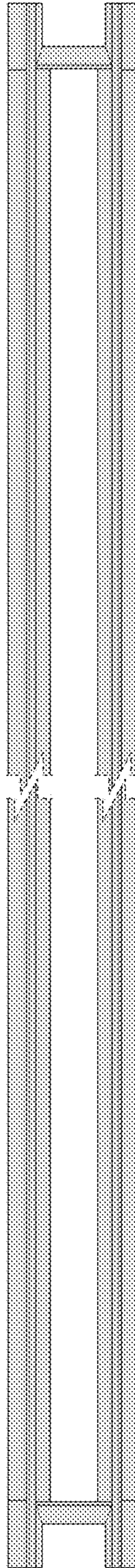


FIG. 6