



US00D830604S

(12) **United States Design Patent** (10) **Patent No.:** **US D830,604 S**
Watt et al. (45) **Date of Patent:** **** Oct. 9, 2018**

(54) **LIGHT FIXTURE**

(71) Applicant: **Focal Point, LLC**, Chicago, IL (US)

(72) Inventors: **Graeme Robert Alexander Watt**, Bowdon (GB); **Ken Czech**, Naperville, IL (US); **Wes Cox**, Chicago, IL (US); **Michael David SanFacon**, Naperville, IL (US); **Krutin S. Desai**, Chicago, IL (US)

(73) Assignee: **Focal Point, LLC**, Chicago, IL (US)

(**) Term: **15 Years**

(21) Appl. No.: **29/594,459**

(22) Filed: **Feb. 17, 2017**

(51) **LOC (11) Cl.** **26-05**

(52) **U.S. Cl.**
USPC **D26/76**

(58) **Field of Classification Search**
USPC ... D26/3, 37, 67, 71, 72, 75, 78, 79, 80, 81, D26/82, 83, 85, 86, 88, 90, 113, 118
CPC F21S 8/06; F21S 8/031; F21S 4/00; F21Y 2101/00
See application file for complete search history.

(56) **References Cited**

U.S. PATENT DOCUMENTS

D292,619 S * 11/1987 Chen D26/141
D595,445 S * 6/2009 Gunter D26/76

D621,989 S * 8/2010 Proner D26/76
D665,123 S * 8/2012 Douglas D26/138
D731,700 S * 6/2015 Santoro D26/118
D740,479 S * 10/2015 Beno D26/118
D747,539 S * 1/2016 Santoro D26/120
D773,712 S * 12/2016 Cavaliere D26/75
D779,703 S * 2/2017 Stanley D26/78
D793,617 S * 8/2017 Trzcielinski D26/118
D803,455 S * 11/2017 Blessitt D26/76
2017/0077368 A1 * 3/2017 Fujitani H01L 33/62
2017/0167665 A1 * 6/2017 Germain F21V 17/164

* cited by examiner

Primary Examiner — Mark Alan Goodwin

Assistant Examiner — Benjamin M Weeks

(74) *Attorney, Agent, or Firm* — Banner & Witcoff, Ltd.

(57) **CLAIM**

The ornamental design for a light fixture, as shown and described.

DESCRIPTION

FIG. 1 is a top perspective view of a light fixture showing our new design;

FIG. 2 is a bottom perspective view thereof;

FIG. 3 is a side view thereof wherein the alternate side view is a mirror image of FIG. 3;

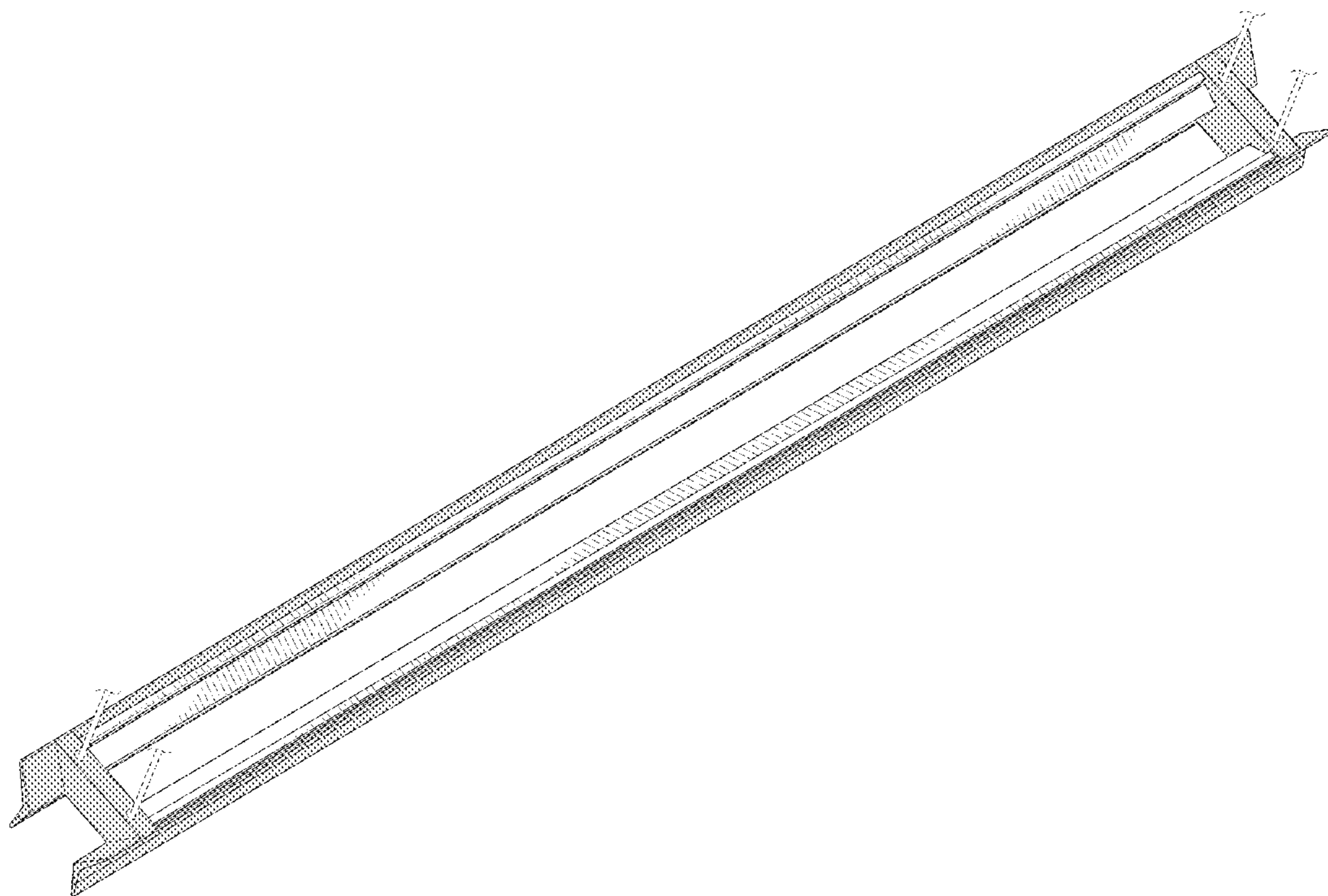
FIG. 4 is a front view thereof wherein the rear view is a mirror image of FIG. 4

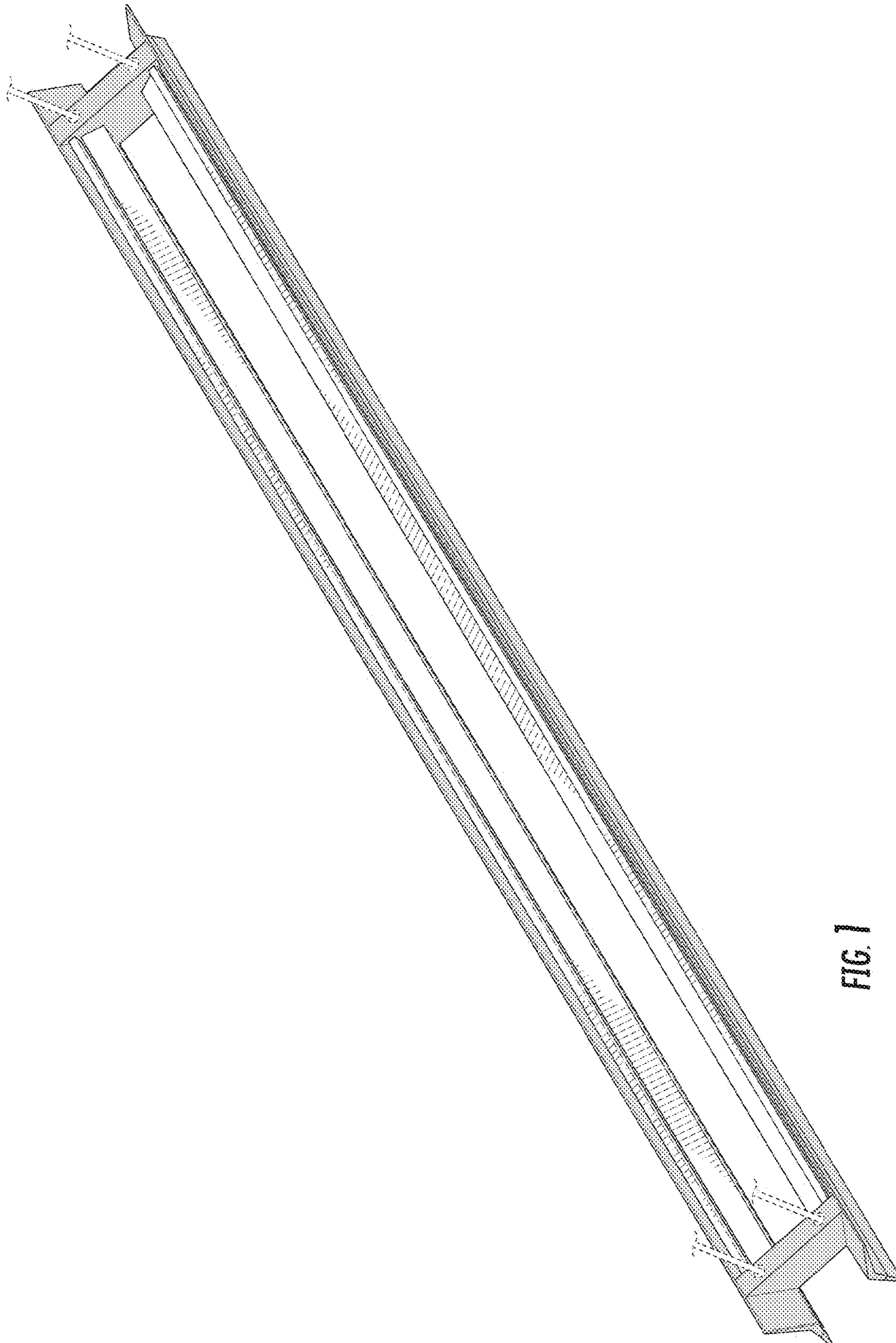
FIG. 5 is a top view thereof; and,

FIG. 6 is a bottom view thereof.

The broken lines represent portions of the light fixture that form no part of the claimed design.

1 Claim, 4 Drawing Sheets





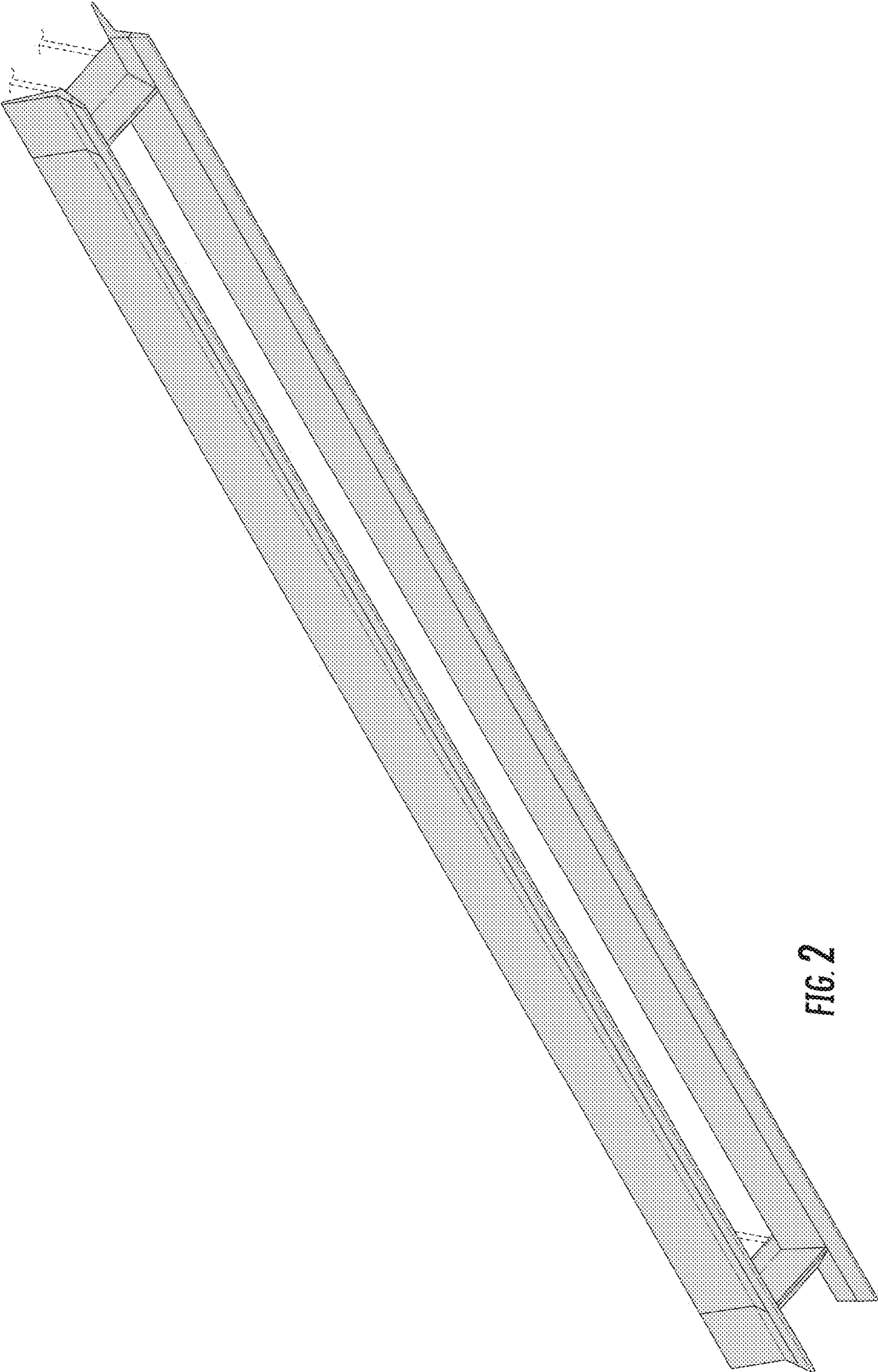


FIG. 2

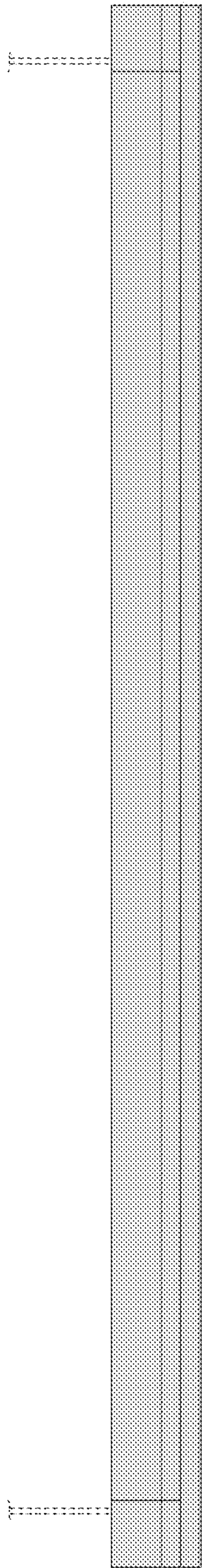


FIG. 3

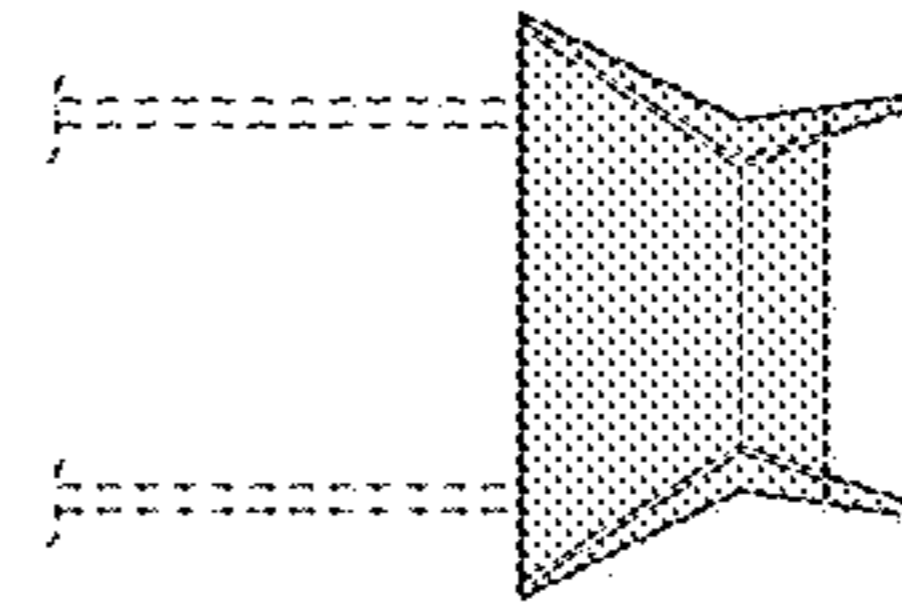


FIG. 4

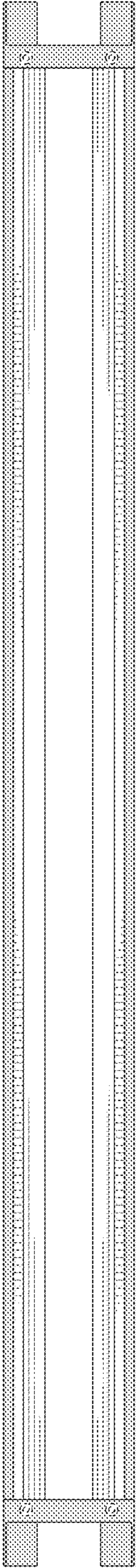


FIG. 5

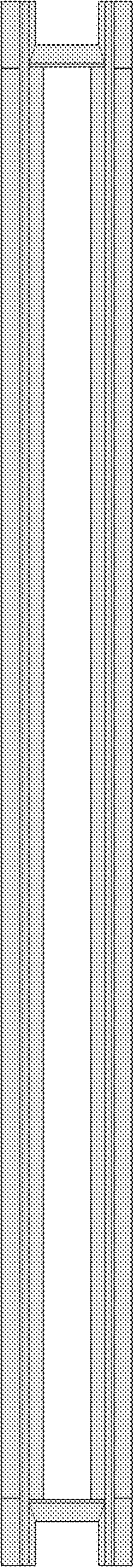


FIG. 6