

US00D830603S

(12) **United States Design Patent** (10) **Patent No.:** **US D830,603 S**  
**Luo et al.** (45) **Date of Patent:** **\*\* Oct. 9, 2018**

(54) **LUMINAIRE**

(71) Applicant: **PHILIPS LIGHTING HOLDING B.V.**, Eindhoven (NL)

(72) Inventors: **Linda Luo**, Shanghai (CN); **Qin Li**, Shanghai (CN)

(73) Assignee: **PHILIPS LIGHTING HOLDING B.V.**, Eindhoven (NL)

(\*\*) Term: **15 Years**

(21) Appl. No.: **35/502,406**

(22) Filed: **Jan. 23, 2017**

(80) **Hague Agreement Data**

Int. Filing Date: **Jan. 23, 2017**

Int. Reg. No.: **DM/094453**

Int. Reg. Date: **Jan. 23, 2017**

Int. Reg. Pub. Date: **Feb. 3, 2017**

(30) **Foreign Application Priority Data**

Jul. 25, 2016 (EM) ..... 003318914-0002

(51) **LOC (11) Cl.** ..... **26-05**

(52) **U.S. Cl.**  
USPC ..... **D26/74**

(58) **Field of Classification Search**

USPC ..... D26/24, 63, 67-70, 93, 104, 105, 110, D26/112, 118

CPC .... F21S 8/02; F21S 8/026; F21V 7/06; F21V 21/044; F21V 21/047; F21V 29/2212; F21V 29/2225; F21V 29/2256; F21V 29/225; F21V 29/2262; F21V 29/2268; F21Y 2111/002

See application file for complete search history.

(56) **References Cited**

**U.S. PATENT DOCUMENTS**

D307,059 S \* 4/1990 Szymanek ..... D26/74  
D330,268 S \* 10/1992 Jaksich ..... D26/74

D411,641 S \* 6/1999 Ranieri ..... D26/118  
D413,402 S \* 8/1999 Ranieri ..... D26/74  
D477,891 S \* 7/2003 Fritze ..... D26/74  
D496,121 S \* 9/2004 Santoro ..... D26/74  
D556,358 S \* 11/2007 Santoro ..... D26/74  
D591,893 S \* 5/2009 Waldmann ..... D26/74  
D595,006 S \* 6/2009 Santoro ..... D26/120  
D597,241 S \* 7/2009 Fabbri ..... D26/74  
D602,188 S \* 10/2009 Fabbri ..... D26/120  
D611,642 S \* 3/2010 Sieczkowski ..... D26/74  
D614,792 S \* 4/2010 Fabbri ..... D26/120  
D631,594 S \* 1/2011 Irvine ..... D26/74  
D646,012 S \* 9/2011 Irvine ..... D26/74  
8,038,321 B1 \* 10/2011 Franck ..... F21S 8/026  
362/249.02  
8,197,086 B2 \* 6/2012 Watanabe ..... F21S 8/04  
362/218  
D664,699 S \* 7/2012 Nakahira ..... D26/74  
D667,156 S \* 9/2012 Pickard ..... D26/74  
D667,983 S \* 9/2012 Pickard ..... D26/74  
D670,849 S \* 11/2012 Lay ..... D26/74  
D671,253 S \* 11/2012 Kim ..... D26/74

(Continued)

*Primary Examiner* — Darlington Ly

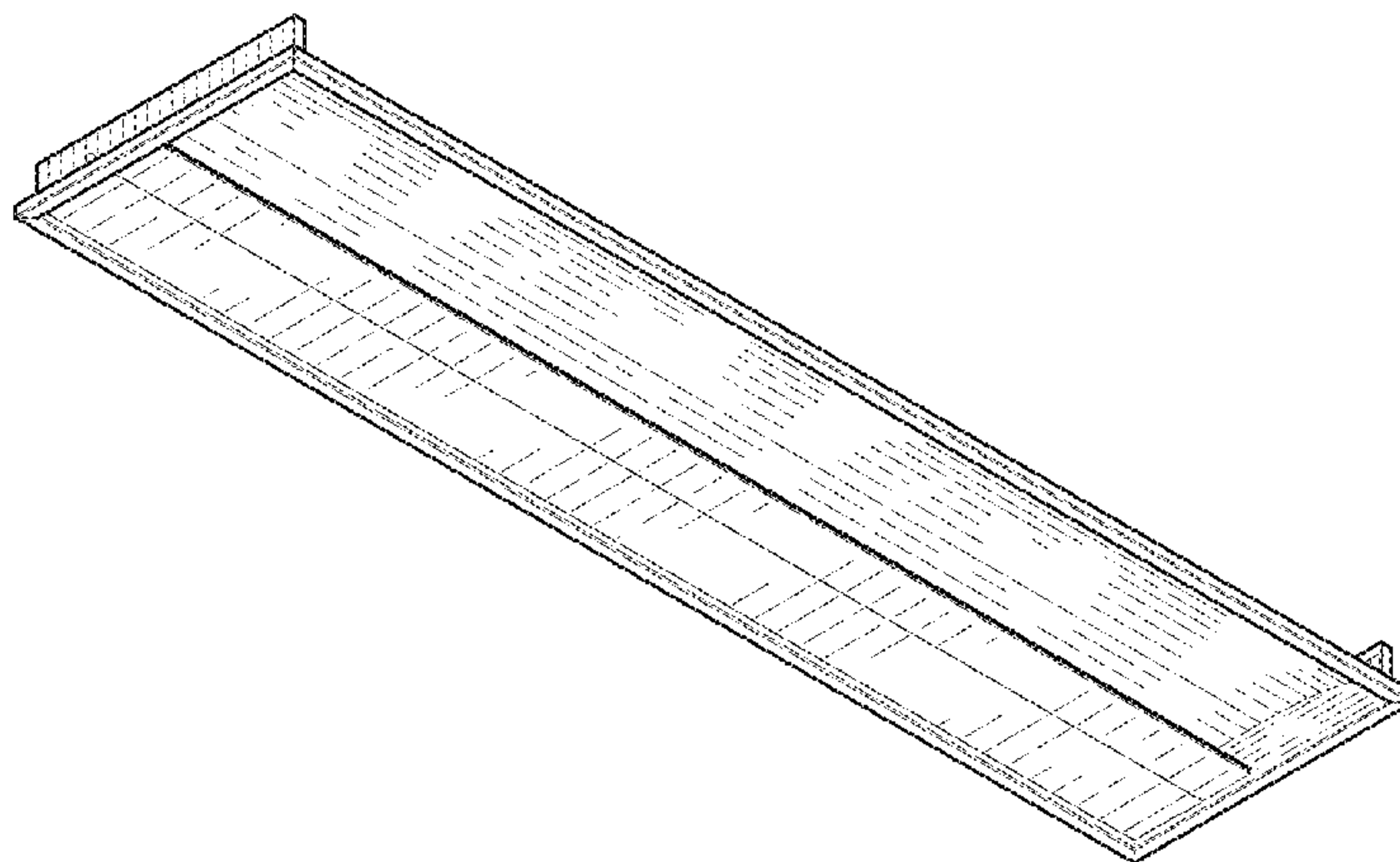
(57) **CLAIM**

The ornamental design for a luminaire, as shown and described.

**DESCRIPTION**

**1.1** is a bottom perspective view of a luminaire showing our new design;  
**1.2** is a front elevation view thereof;  
**1.3** is a rear elevation view thereof;  
**1.4** is a cross-sectional view thereof;  
**1.5** is a right side elevation view thereof;  
**1.6** is a bottom plan view thereof; and  
**1.7** is a top plan view thereof.  
The broken lines in the reproductions illustrate portions of the luminaire that form no part of the claimed design.

**1 Claim, 3 Drawing Sheets**



(56)

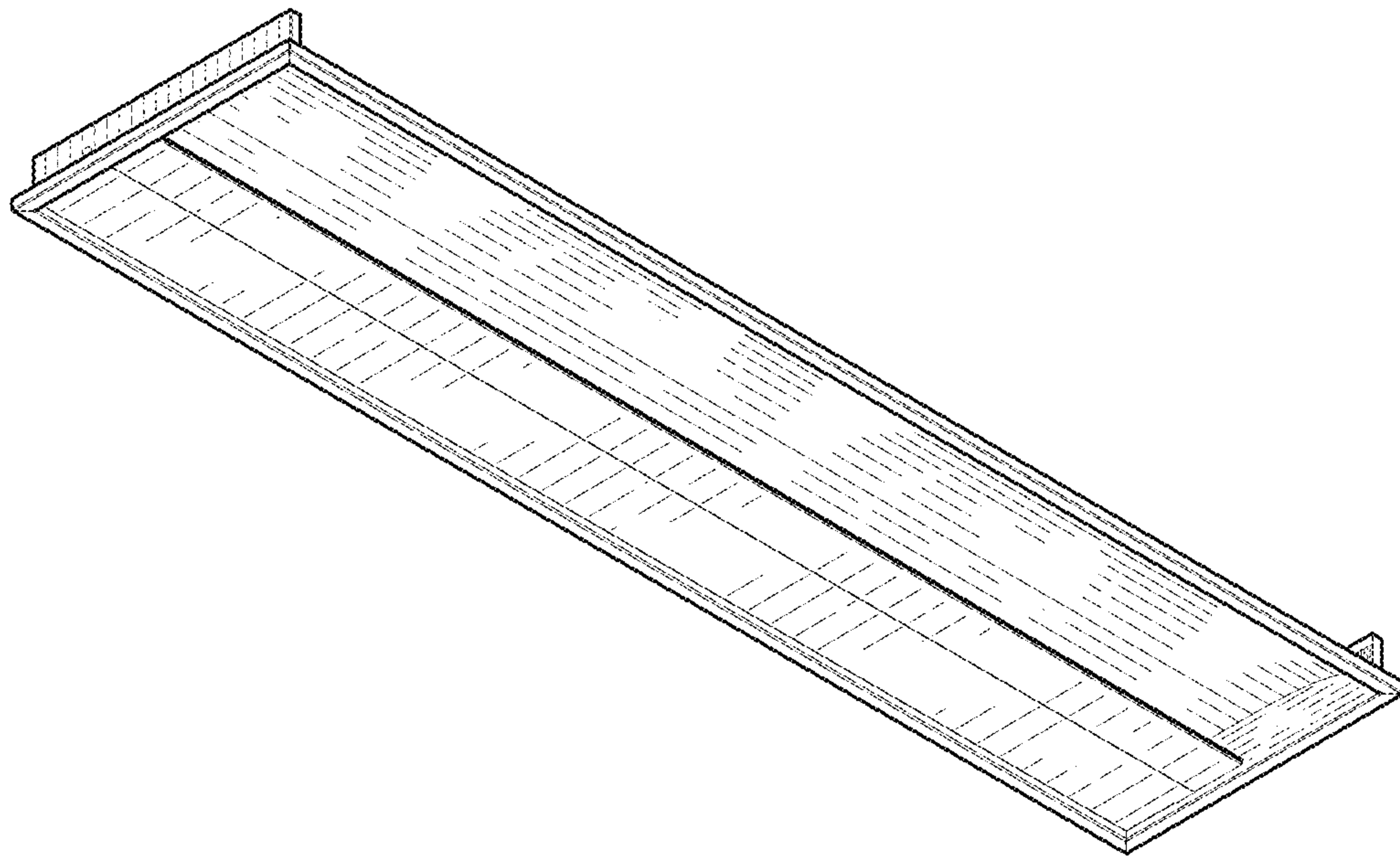
References Cited

U.S. PATENT DOCUMENTS

D671,667 S \* 11/2012 Kim ..... D26/74  
 D672,079 S \* 12/2012 Kong ..... D26/74  
 D673,711 S \* 1/2013 Pickard ..... D26/74  
 D675,362 S \* 1/2013 Apetauer ..... D26/74  
 D675,364 S \* 1/2013 Watt ..... D26/74  
 D677,820 S \* 3/2013 Mayfield, III ..... D26/74  
 D678,586 S \* 3/2013 Mayfield, III ..... D26/74  
 D679,848 S \* 4/2013 Pickard ..... D26/74  
 D680,254 S \* 4/2013 Mayfield, III ..... D26/74  
 D682,455 S \* 5/2013 Apetauer ..... D26/74  
 D685,122 S \* 6/2013 Kim ..... D26/74  
 D685,942 S \* 7/2013 Duquette ..... D26/74  
 D685,943 S \* 7/2013 Duquette ..... D26/74  
 D690,869 S \* 10/2013 Katz ..... D26/74  
 D696,449 S \* 12/2013 Boyer ..... D26/74  
 D698,969 S \* 2/2014 Johns ..... D26/74  
 D698,973 S \* 2/2014 Santoro ..... D26/74

D701,341 S \* 3/2014 Mayfield, III ..... D26/74  
 D701,988 S \* 4/2014 Clements ..... D26/74  
 D707,873 S \* 6/2014 Boyer ..... D26/74  
 D712,582 S \* 9/2014 Yanping ..... D26/74  
 D714,988 S \* 10/2014 Park ..... D26/74  
 D720,488 S \* 12/2014 Toyohisa ..... D26/74  
 9,052,075 B2 \* 6/2015 Demuynck ..... F21S 9/022  
 D747,528 S \* 1/2016 Katz ..... D26/74  
 D747,529 S \* 1/2016 Yoon ..... D26/74  
 D768,327 S \* 10/2016 Guzzini ..... D26/74  
 D786,471 S \* 5/2017 Snell ..... D26/74  
 D788,968 S \* 6/2017 Salomon ..... D26/74  
 D796,103 S \* 8/2017 Blankenship ..... D26/74  
 D797,978 S \* 9/2017 Blankenship ..... D26/74  
 D807,557 S \* 1/2018 Stromborg ..... D26/74  
 2012/0134146 A1 \* 5/2012 Smith ..... F21V 7/005  
 362/225  
 2015/0016100 A1 \* 1/2015 Ishii ..... F21S 8/043  
 362/223

\* cited by examiner



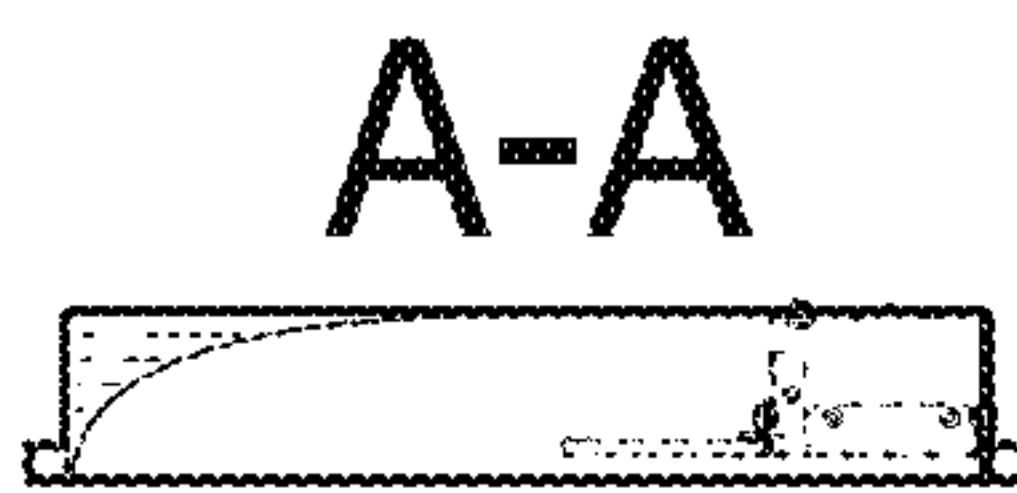
1.1



1.2



1.3

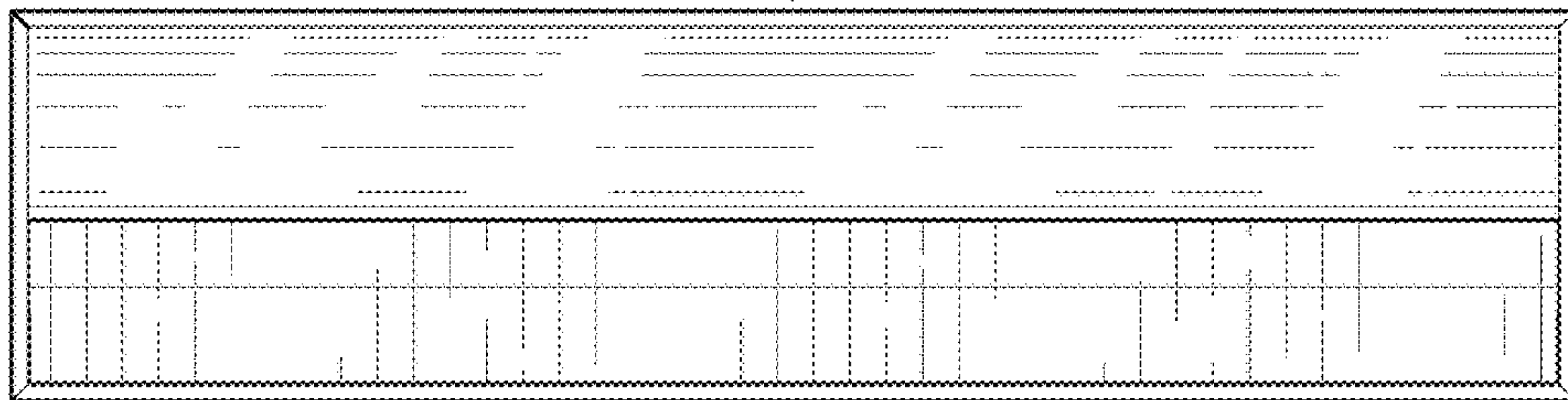


1.4



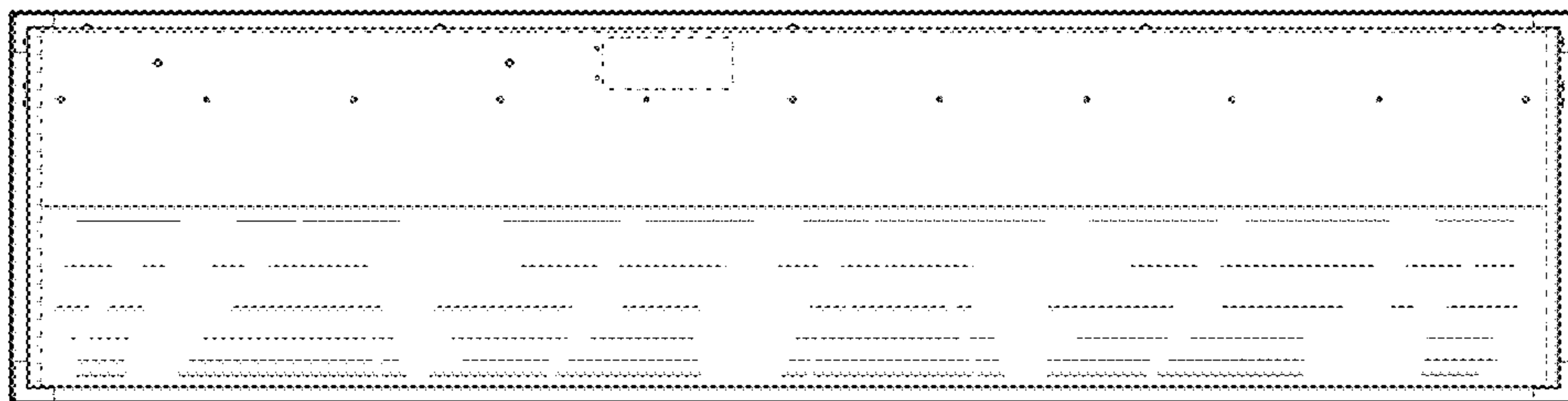
1.5

A ←



A ←

1.6



1.7