



US00D830602S

(12) **United States Design Patent**
Melchior

(10) **Patent No.:** **US D830,602 S**

(45) **Date of Patent:** **** Oct. 9, 2018**

(54) **LANTERN**

(71) Applicant: **Decathlon**, Villeneuve d'Ascq (FR)

(72) Inventor: **Constant Melchior**, Villeneuve d'Ascq (FR)

(73) Assignee: **Decathlon**, Villeneuve d'Ascq (FR)

(**) Term: **15 Years**

(21) Appl. No.: **29/592,118**

(22) Filed: **Jan. 26, 2017**

(30) **Foreign Application Priority Data**

Aug. 1, 2016 (EM) 003326313-0002

(51) **LOC (11) Cl.** **26-02**

(52) **U.S. Cl.**
USPC **D26/39**

(58) **Field of Classification Search**
USPC D26/37-50
CPC F21L 2003/00; F21L 4/00; F21L 4/005;
F21L 4/02; F21L 4/025; F21L 4/027;
F21L 4/04; F21L 4/08; F21L 2005/00;
F21L 7/00; F21L 11/00; F21L 13/00;
F21L 13/04; F21L 13/08; F21L 14/02;
F21L 17/00; F21L 19/00

See application file for complete search history.

(56) **References Cited**

U.S. PATENT DOCUMENTS

D527,127 S * 8/2006 Petzl D26/39
D552,278 S * 10/2007 Spartano D26/39

D560,008 S * 1/2008 Poon D26/39
D577,842 S * 9/2008 Kumthampinij D26/39
D642,714 S * 8/2011 Chuah D26/60
D651,732 S * 1/2012 Hopkins D26/39
D658,323 S * 4/2012 Freschl D26/39
D693,040 S * 11/2013 Svensson D26/39
D707,867 S * 6/2014 Kotsis D26/39
D743,596 S * 11/2015 Ormsbee D26/39
D788,337 S * 5/2017 Koshiba D26/39
D802,189 S * 11/2017 Windom D26/39

* cited by examiner

Primary Examiner — Lakiya G Rogers

Assistant Examiner — Carissa C Fitts

(74) *Attorney, Agent, or Firm* — Charles TJ Weigell,
Esq.; Fross Zelnick Lehrman & Zissu, P.C.

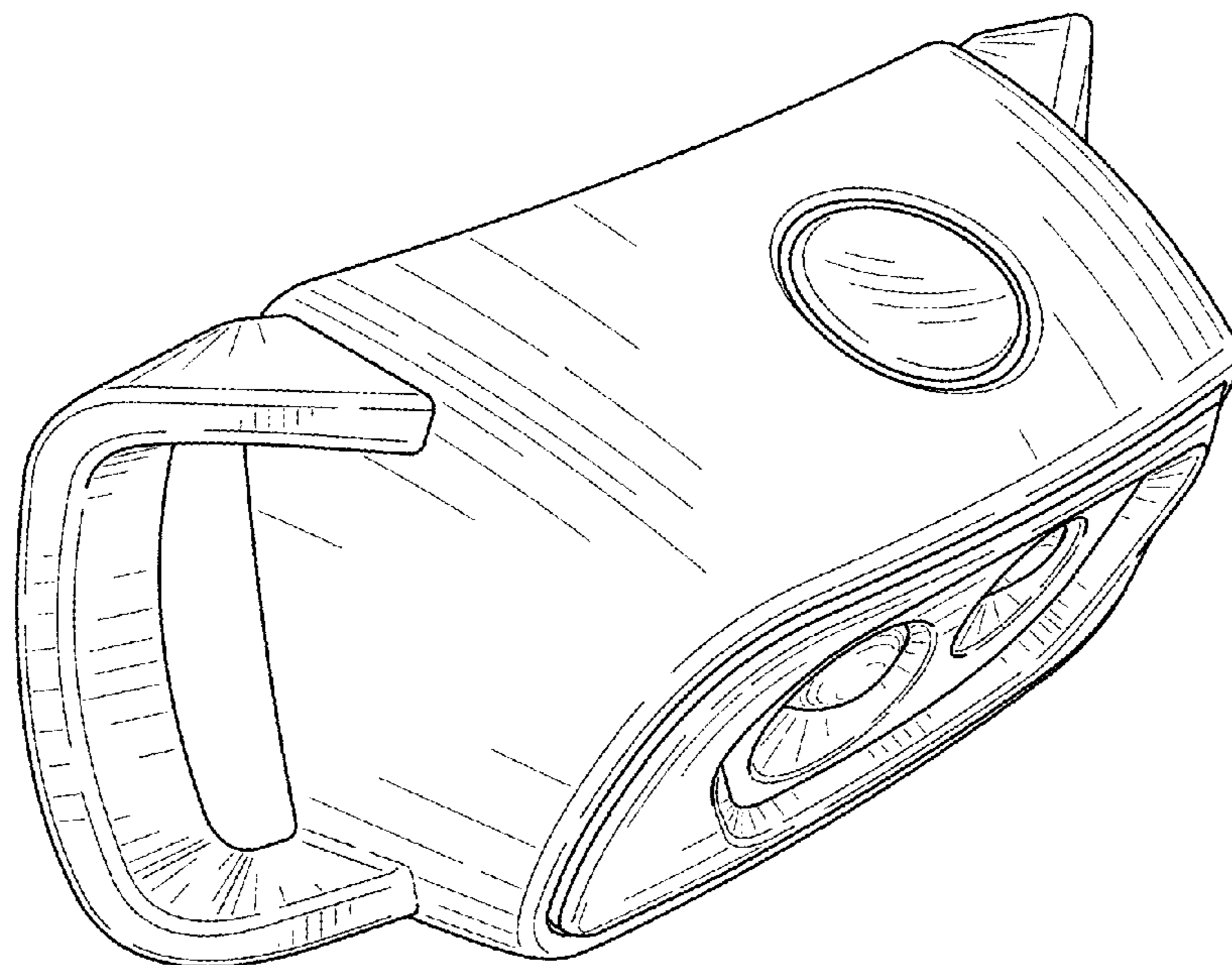
(57) **CLAIM**

The ornamental design for a lantern, as shown and described.

DESCRIPTION

FIG. 1 is a perspective view showing my new design;
FIG. 2 is a front view thereof, showing the lenses, handle and button of the lantern;
FIG. 3 is a rear view thereof;
FIG. 4 is left side view thereof;
FIG. 5 is a right side view thereof;
FIG. 6 is a top side view thereof; and,
FIG. 7 is a bottom side view thereof.

1 Claim, 4 Drawing Sheets



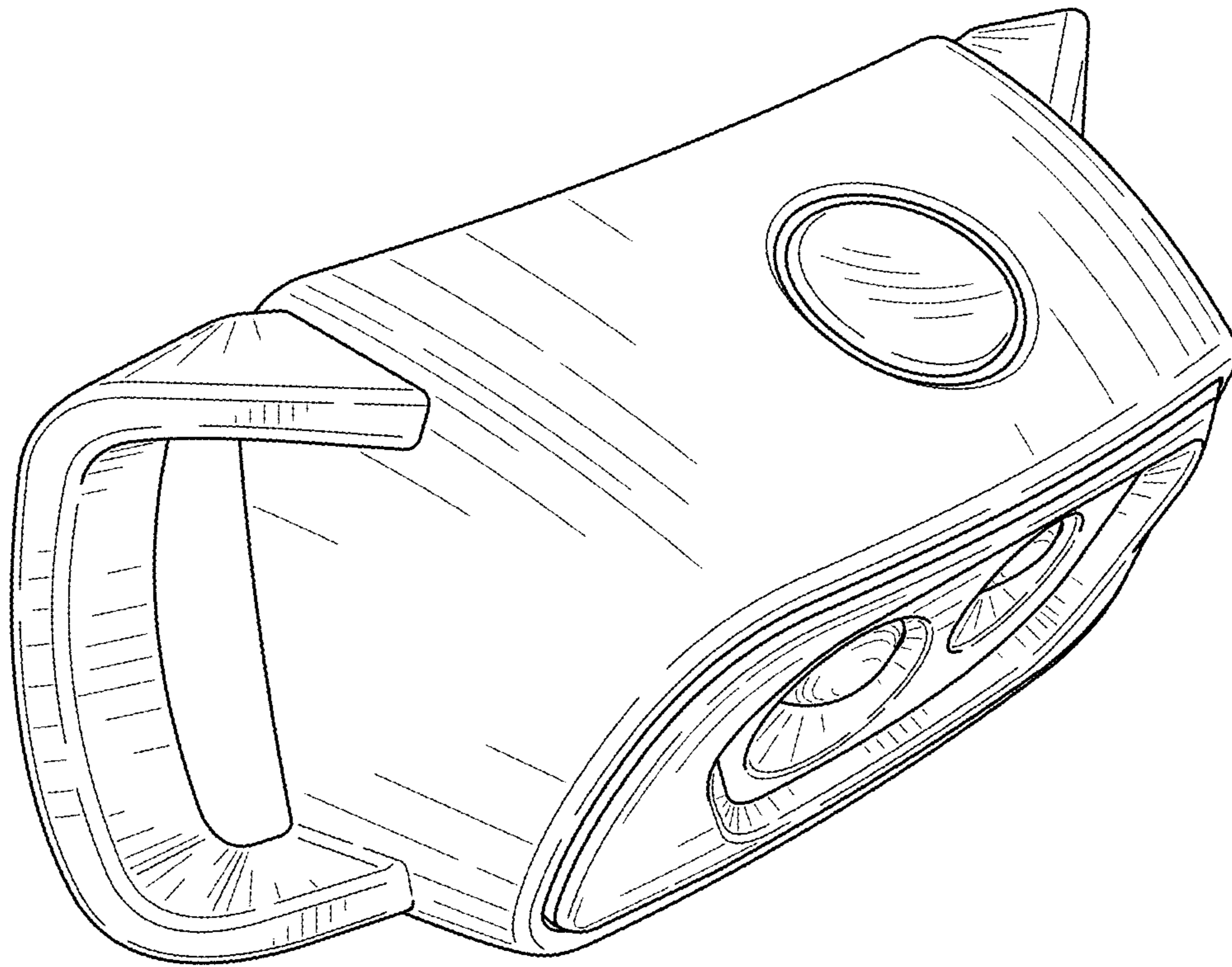


FIG. 1

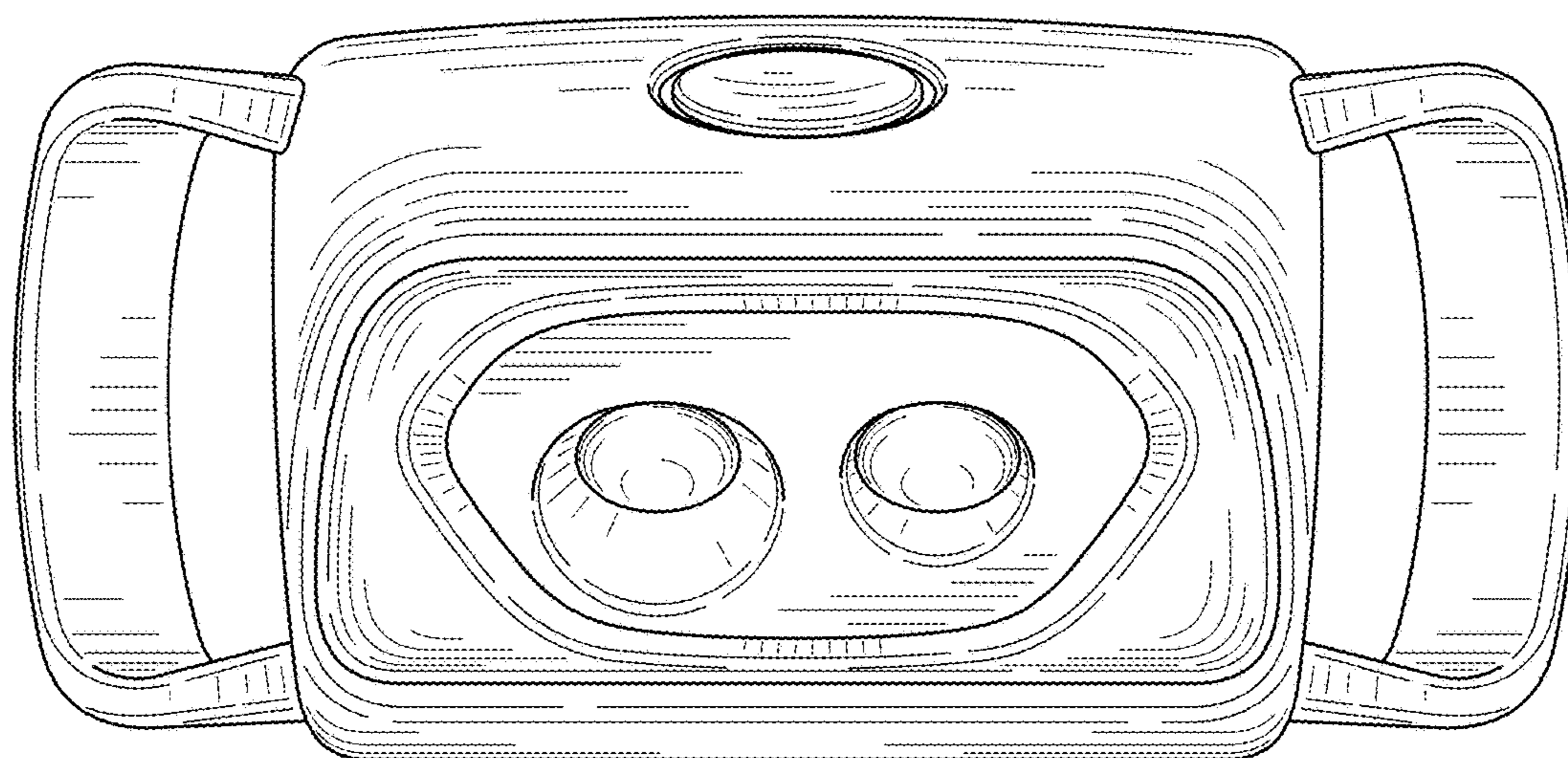


FIG. 2

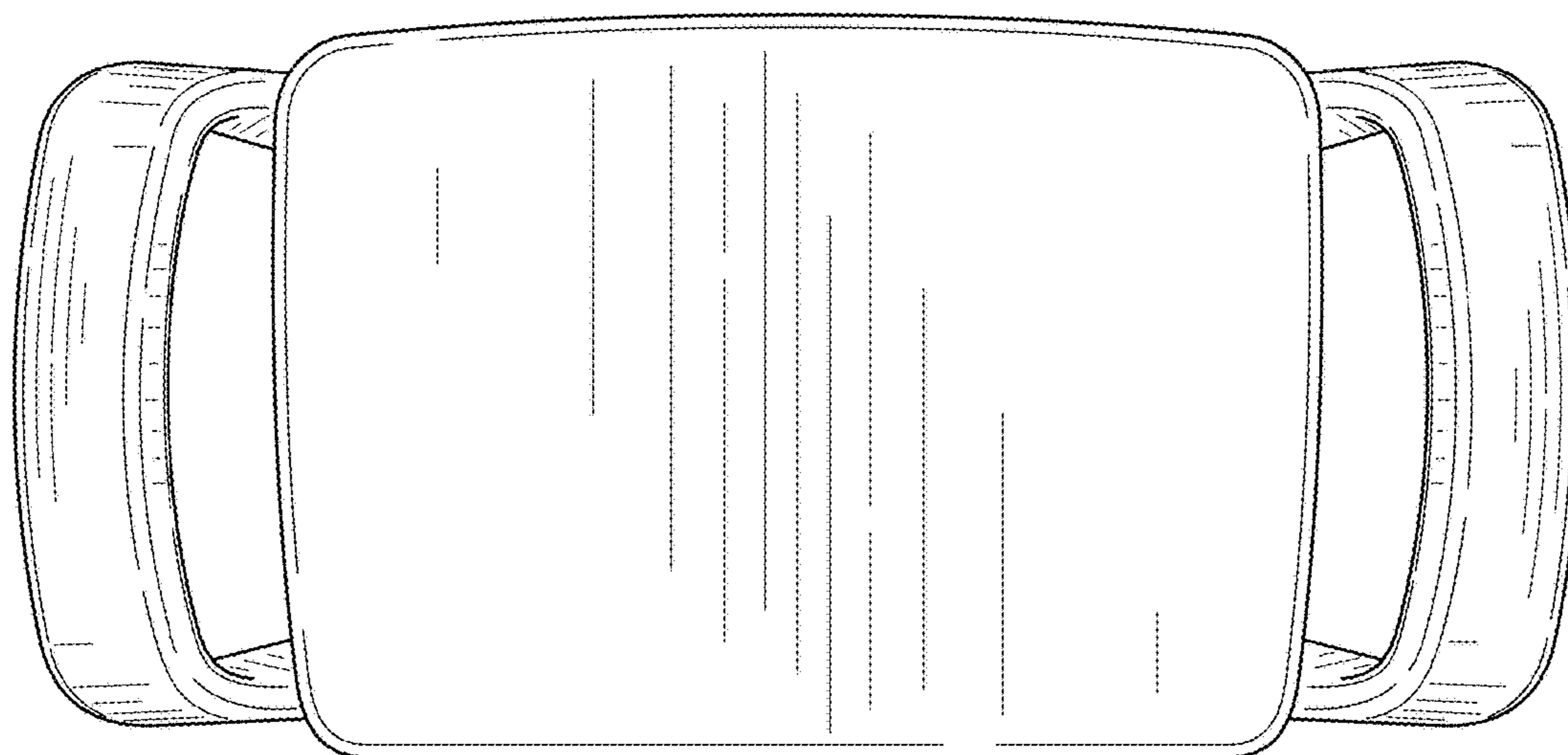


FIG. 3

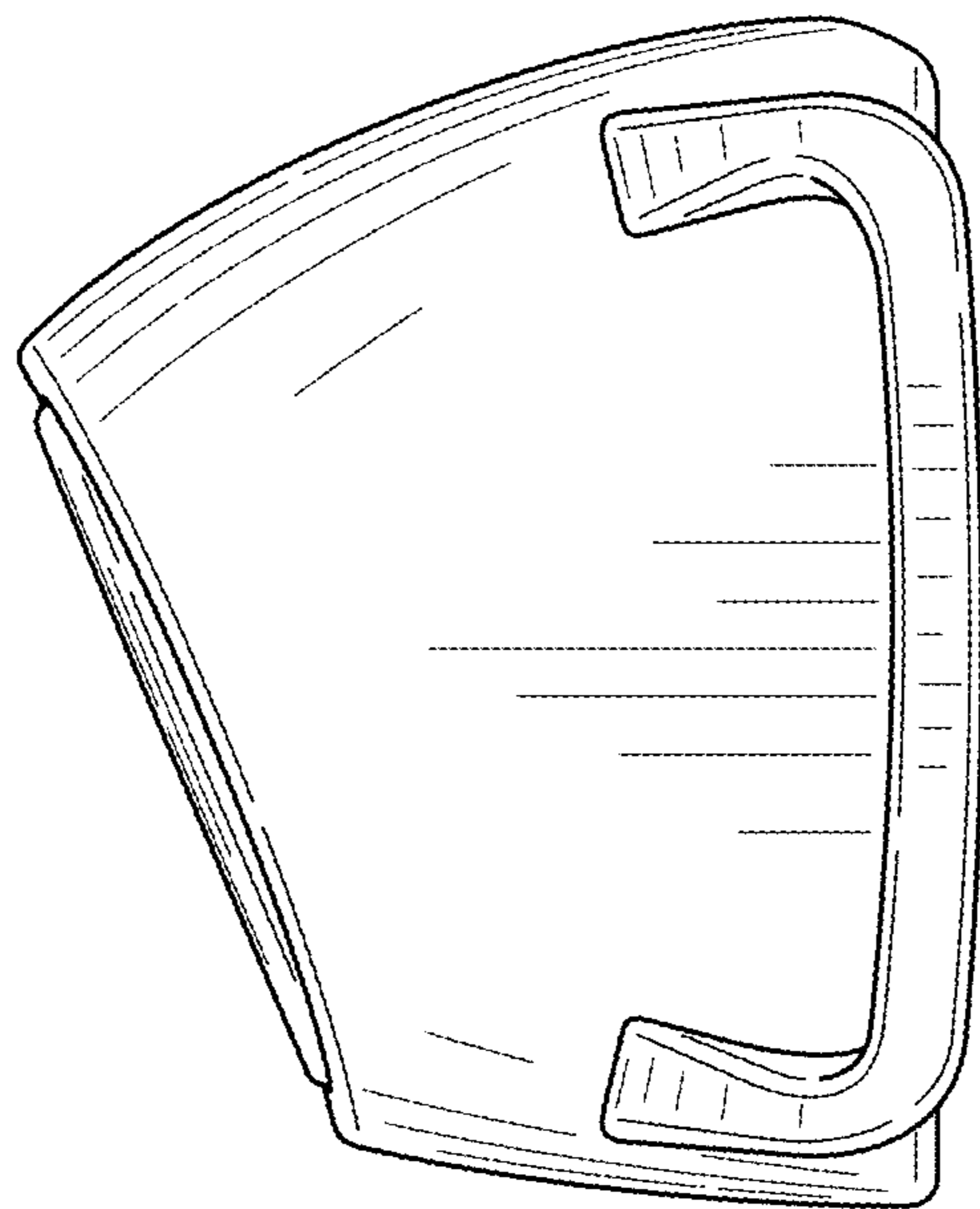


FIG. 4

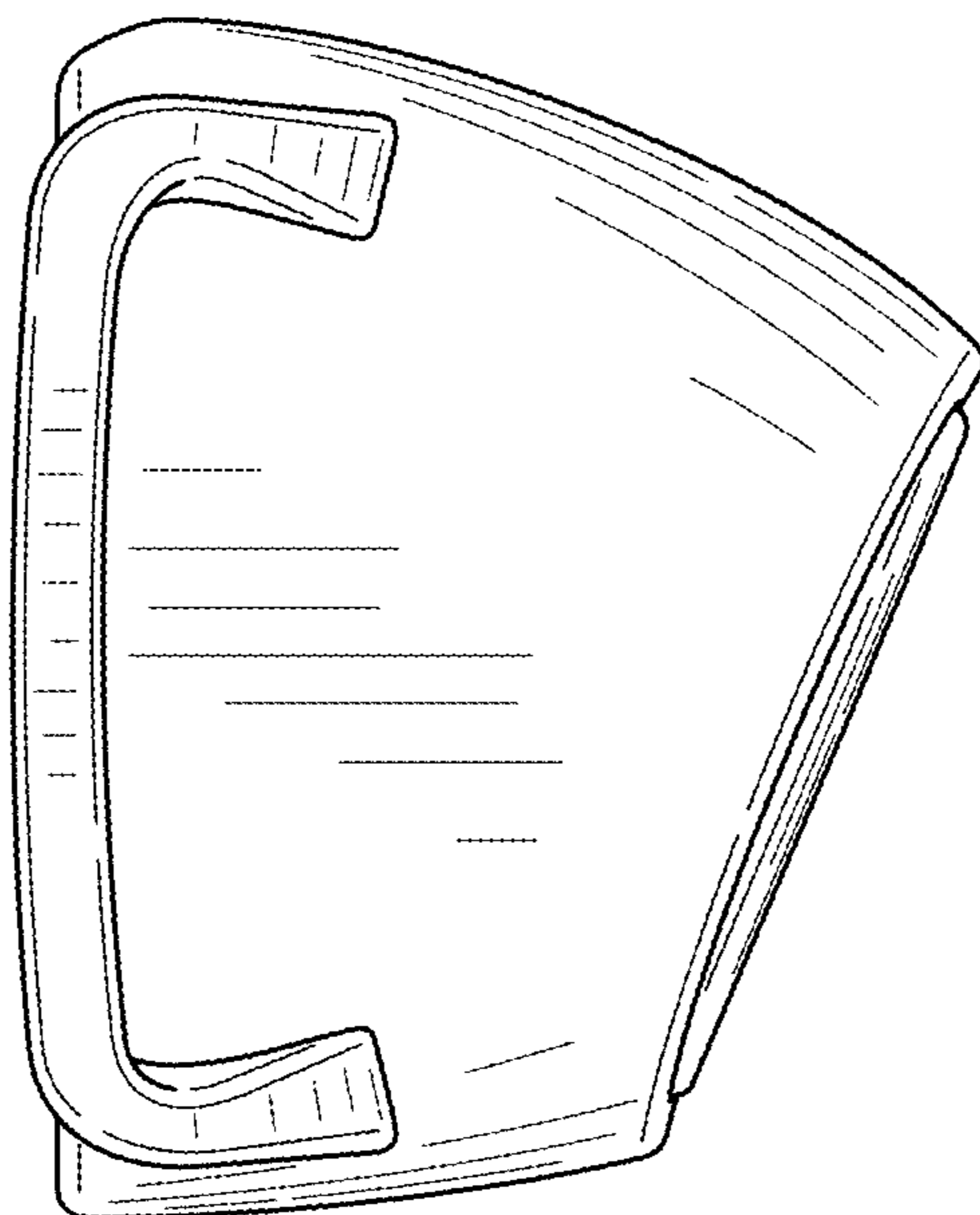


FIG. 5

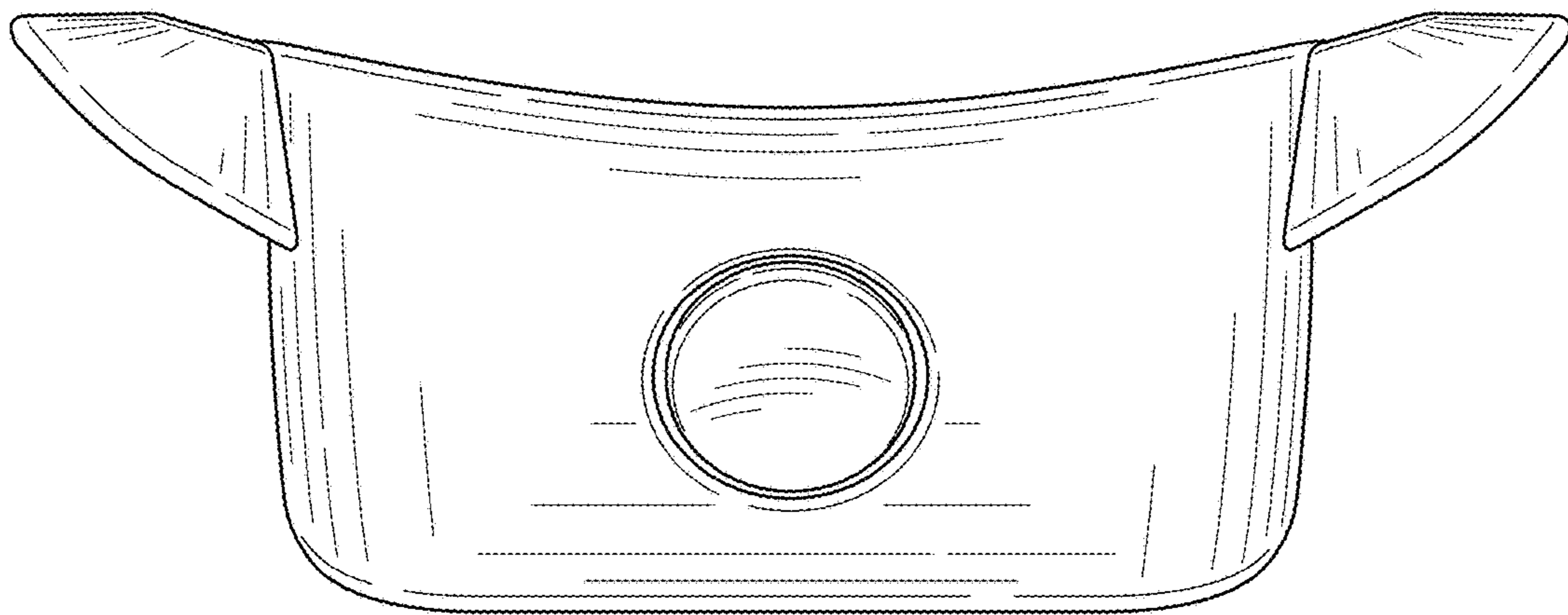


FIG. 6

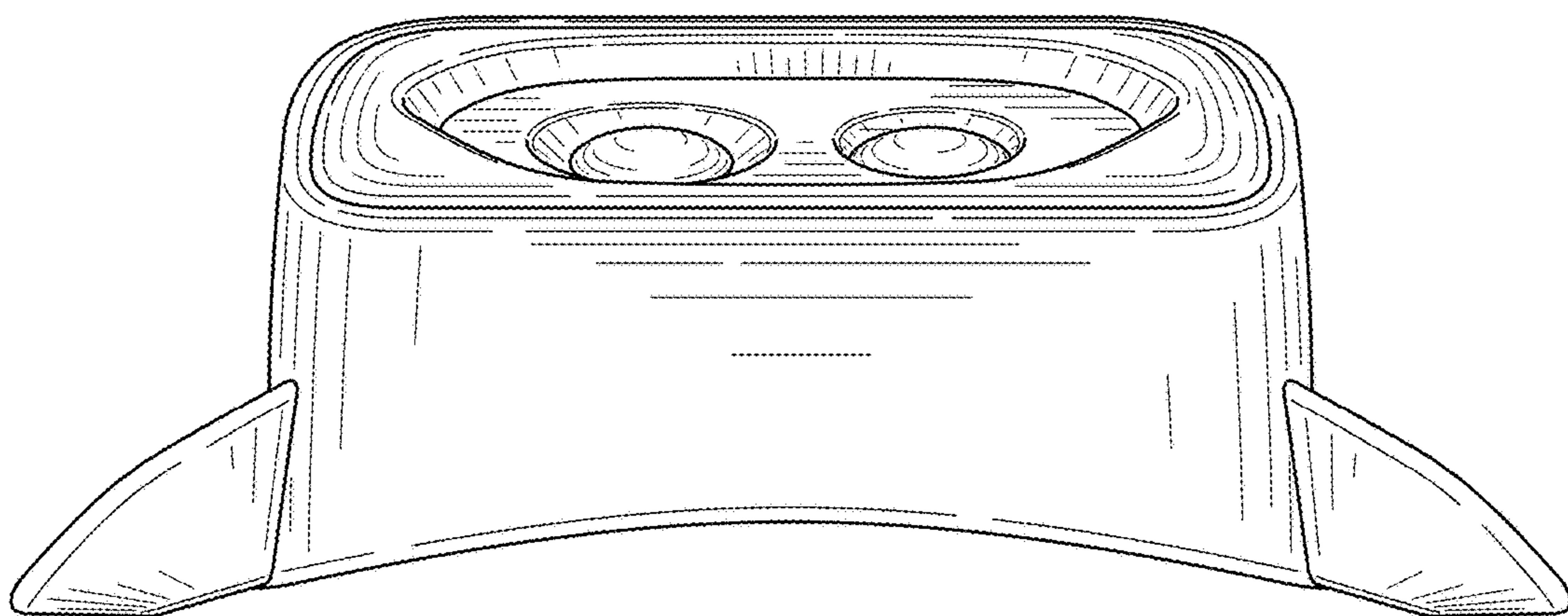


FIG. 7