



US00D830601S

(12) **United States Design Patent**
Petzl

(10) **Patent No.:** **US D830,601 S**

(45) **Date of Patent:** **** Oct. 9, 2018**

(54) **HEADLAMP**

(71) Applicant: **ZEDEL**, Crolles (FR)

(72) Inventor: **Paul Petzl**, Barraux (FR)

(73) Assignee: **ZEDEL**, Crolles (FR)

(**) Term: **15 Years**

(21) Appl. No.: **29/583,269**

(22) Filed: **Nov. 3, 2016**

(30) **Foreign Application Priority Data**

May 3, 2016 (EM) 003108117-0002

(51) **LOC (11) Cl.** **26-02**

(52) **U.S. Cl.**
USPC **D26/39**

(58) **Field of Classification Search**
USPC D26/37, 38, 39, 42, 46, 51
CPC F21L 2003/00; F21L 4/00; F21L 4/005;
F21L 4/02; F21L 4/025; F21L 4/027;
F21L 4/04; F21L 4/08; F21L 2005/00;
F21L 7/00; F21L 11/00; F21L 13/00;
F21L 13/04; F21L 13/08; F21L 14/02;
F21L 17/00

See application file for complete search history.

(56) **References Cited**

U.S. PATENT DOCUMENTS

D394,720 S * 5/1998 Yuen D26/39
D470,615 S * 2/2003 Janice D26/39

D477,680 S * 7/2003 Petzl D26/39
D554,782 S * 11/2007 Shiu D26/39
D560,008 S * 1/2008 Poon D26/39
D566,310 S * 4/2008 Alessio D26/39
D590,083 S * 4/2009 Petzl D26/39
D594,582 S * 6/2009 Petzl D26/39
D600,379 S * 9/2009 Petzl D26/39
D658,323 S * 4/2012 Freschl D26/39
D726,943 S * 4/2015 Petzl D26/39
D736,978 S * 8/2015 Petzl D26/39
D736,979 S * 8/2015 Petzl D26/39
D736,980 S * 8/2015 Petzl D26/39
D743,596 S * 11/2015 Ormsbee D26/39

* cited by examiner

Primary Examiner — Karen E Kearney

Assistant Examiner — Carissa C Fitts

(74) *Attorney, Agent, or Firm* — Oliff PLC

(57) **CLAIM**

The ornamental design for a headlamp, as shown and described.

DESCRIPTION

FIG. 1 is a front, left-side, top perspective view of the headlamp;

FIG. 2 is a front elevational view thereof;

FIG. 3 is a top plan view thereof;

FIG. 4 is a right-side elevational view thereof;

FIG. 5 is a left-side elevational view thereof;

FIG. 6 is a rear elevational view thereof; and,

FIG. 7 is a bottom plan view thereof.

The broken lines depict unclaimed portions of the headlamp, and thus form no part of the claimed design.

1 Claim, 6 Drawing Sheets

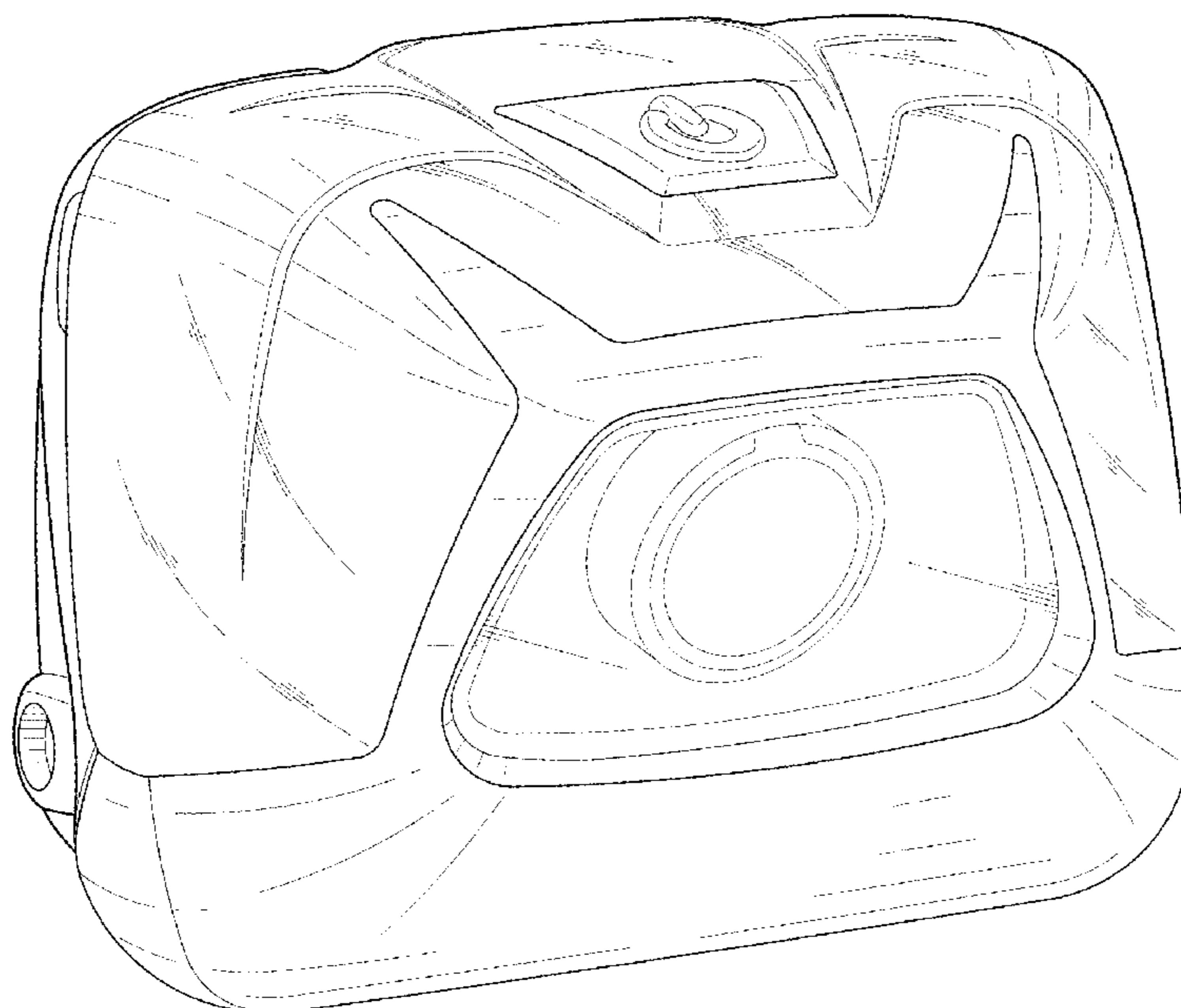




FIG. 1

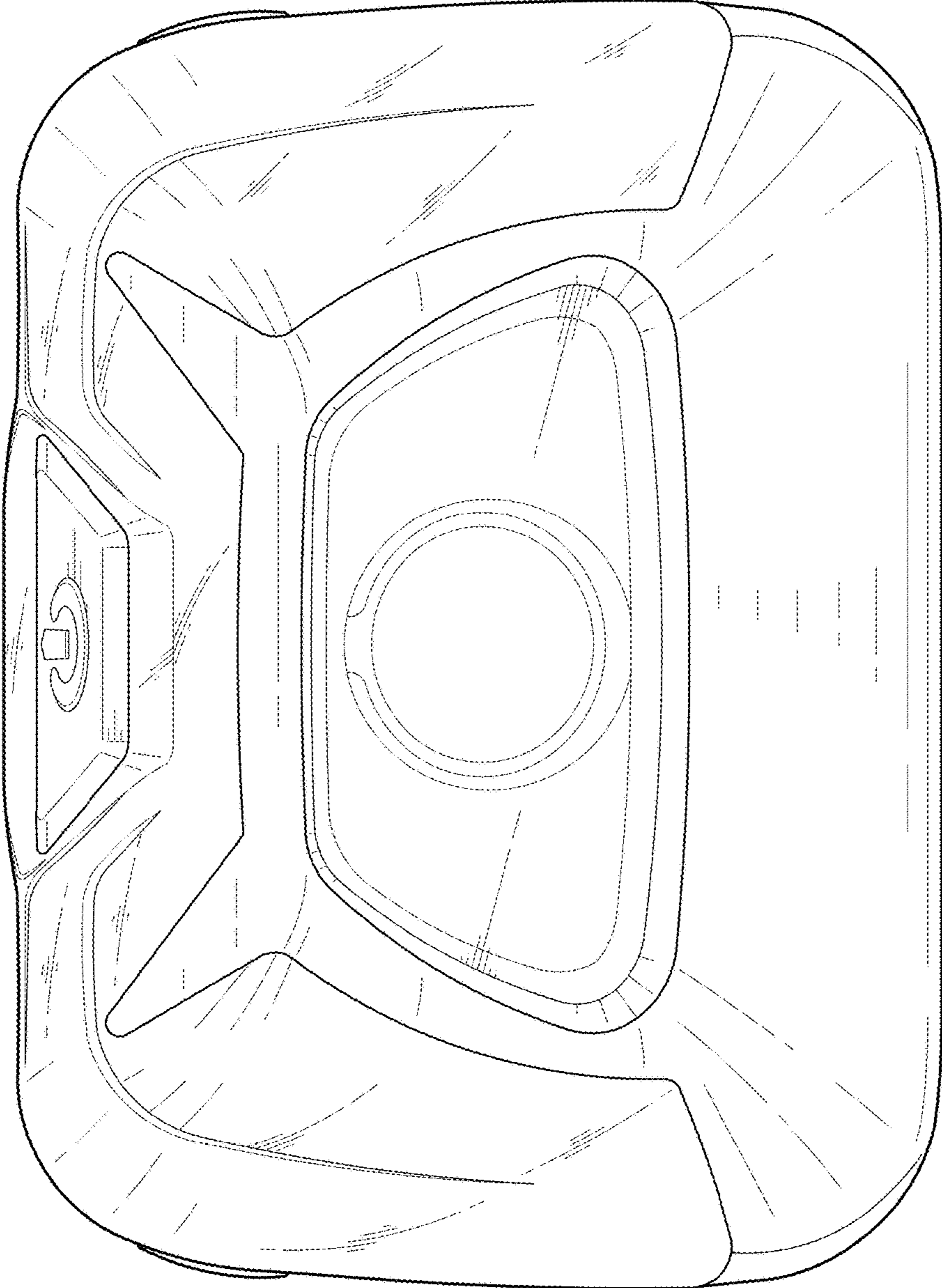


FIG. 2

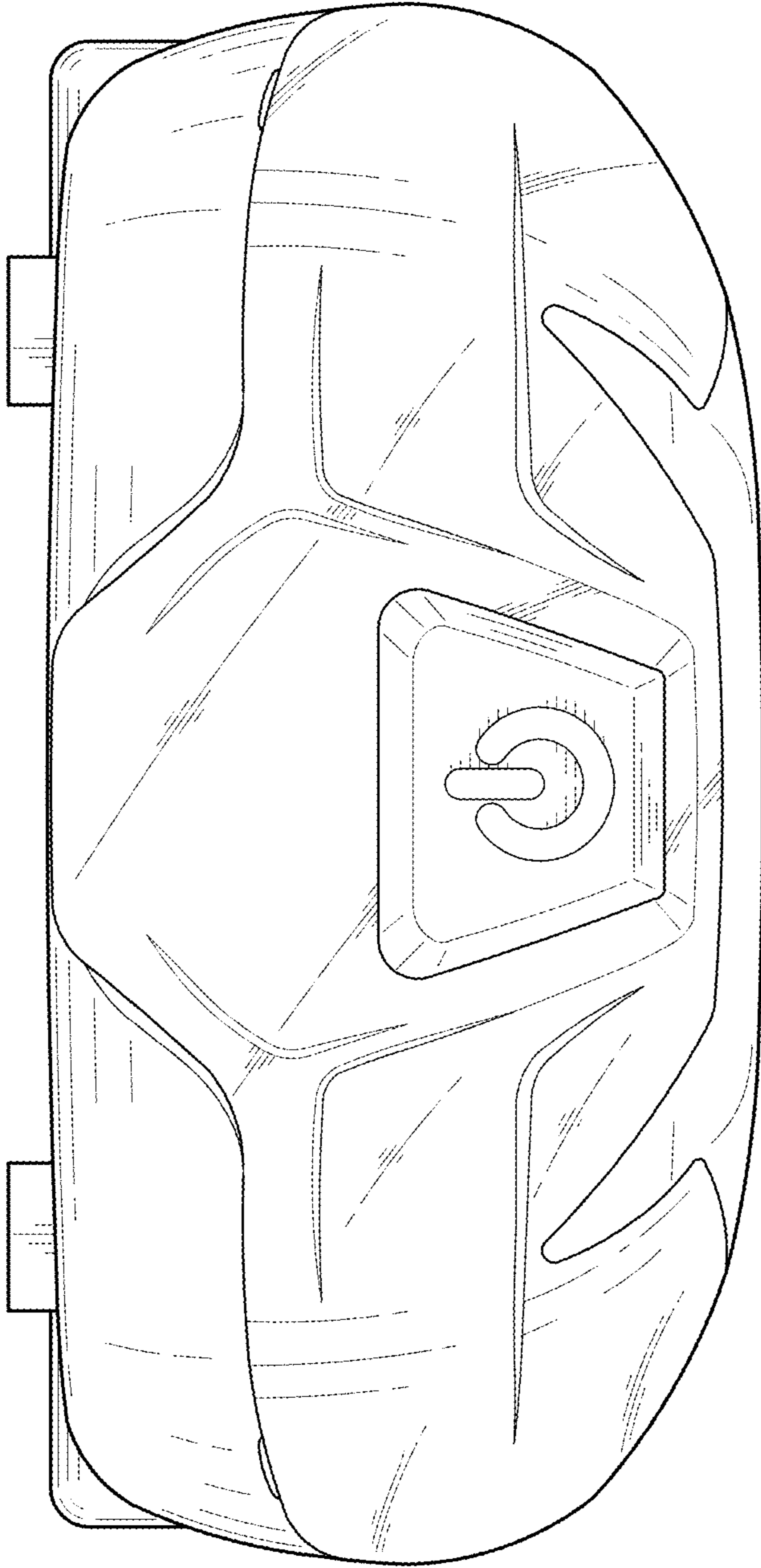


FIG. 3

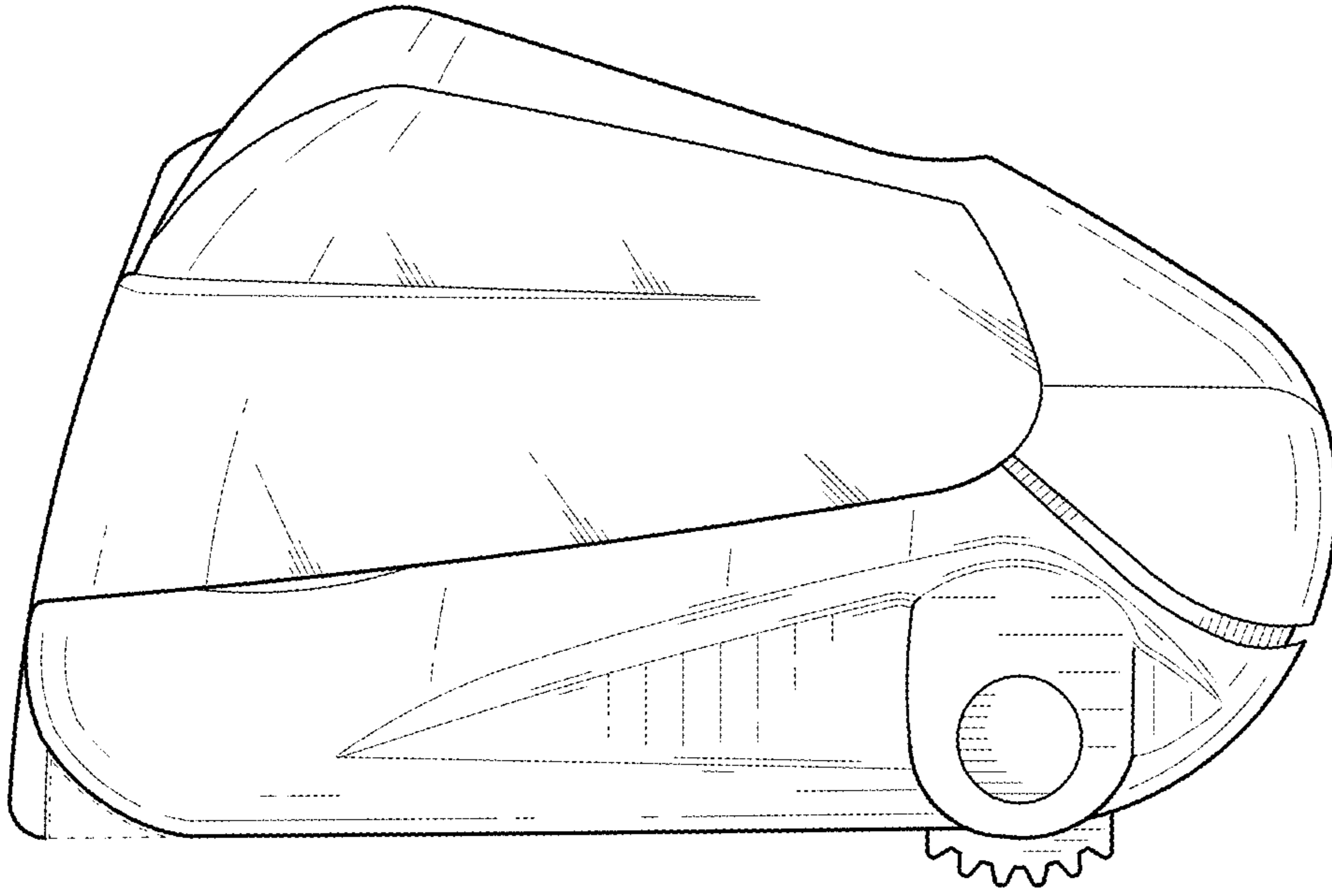


FIG. 5

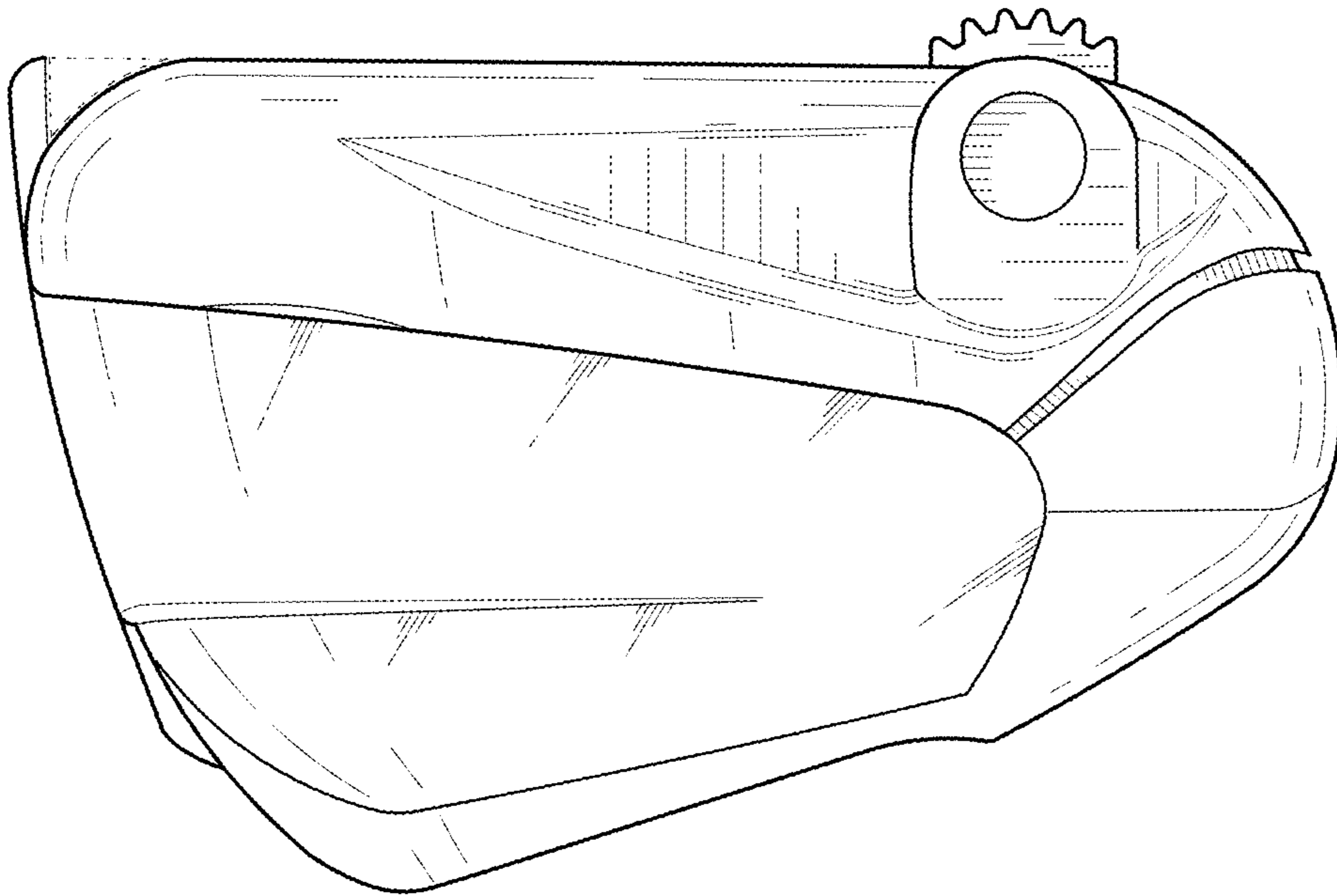


FIG. 4

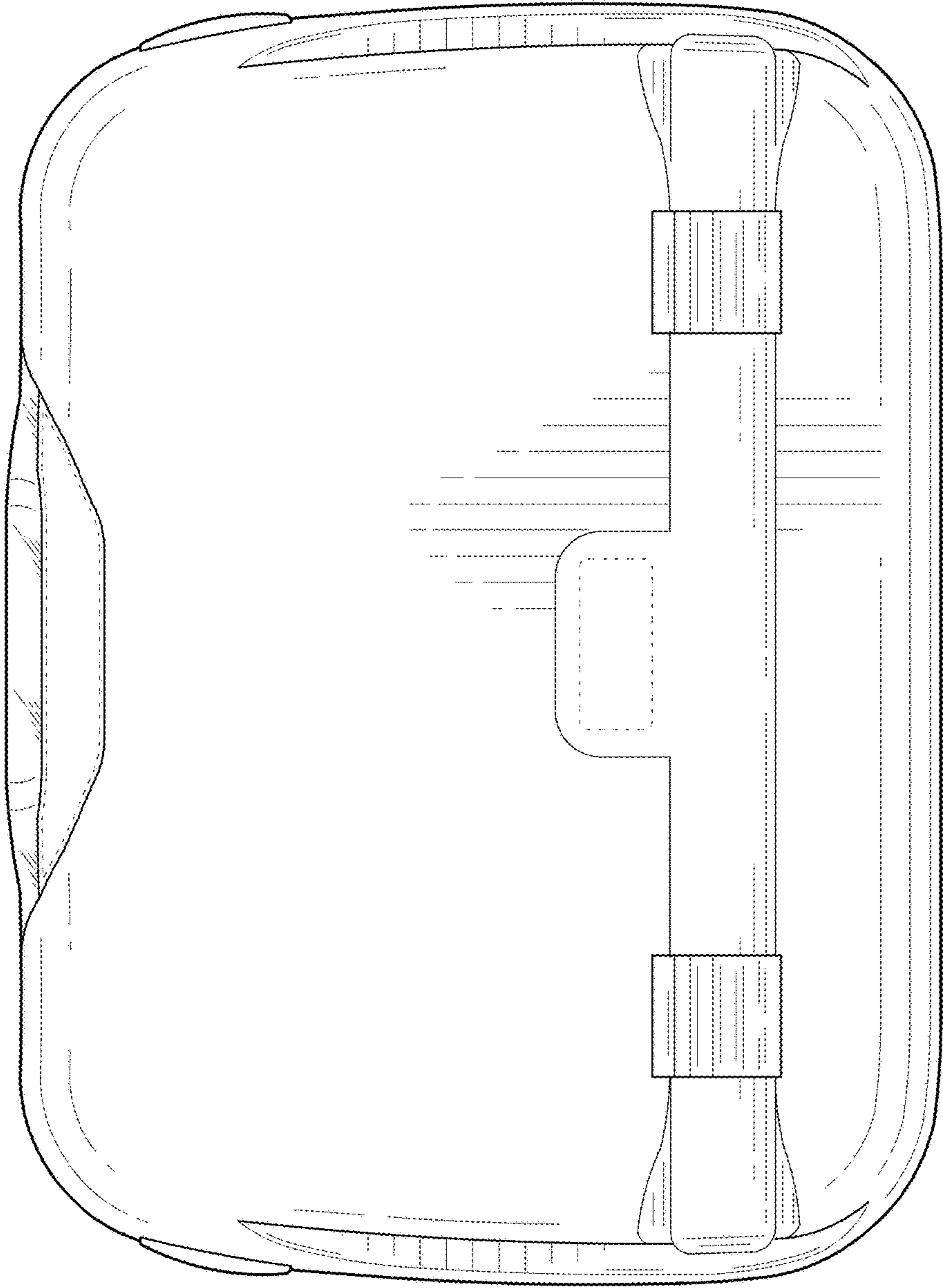


FIG. 6

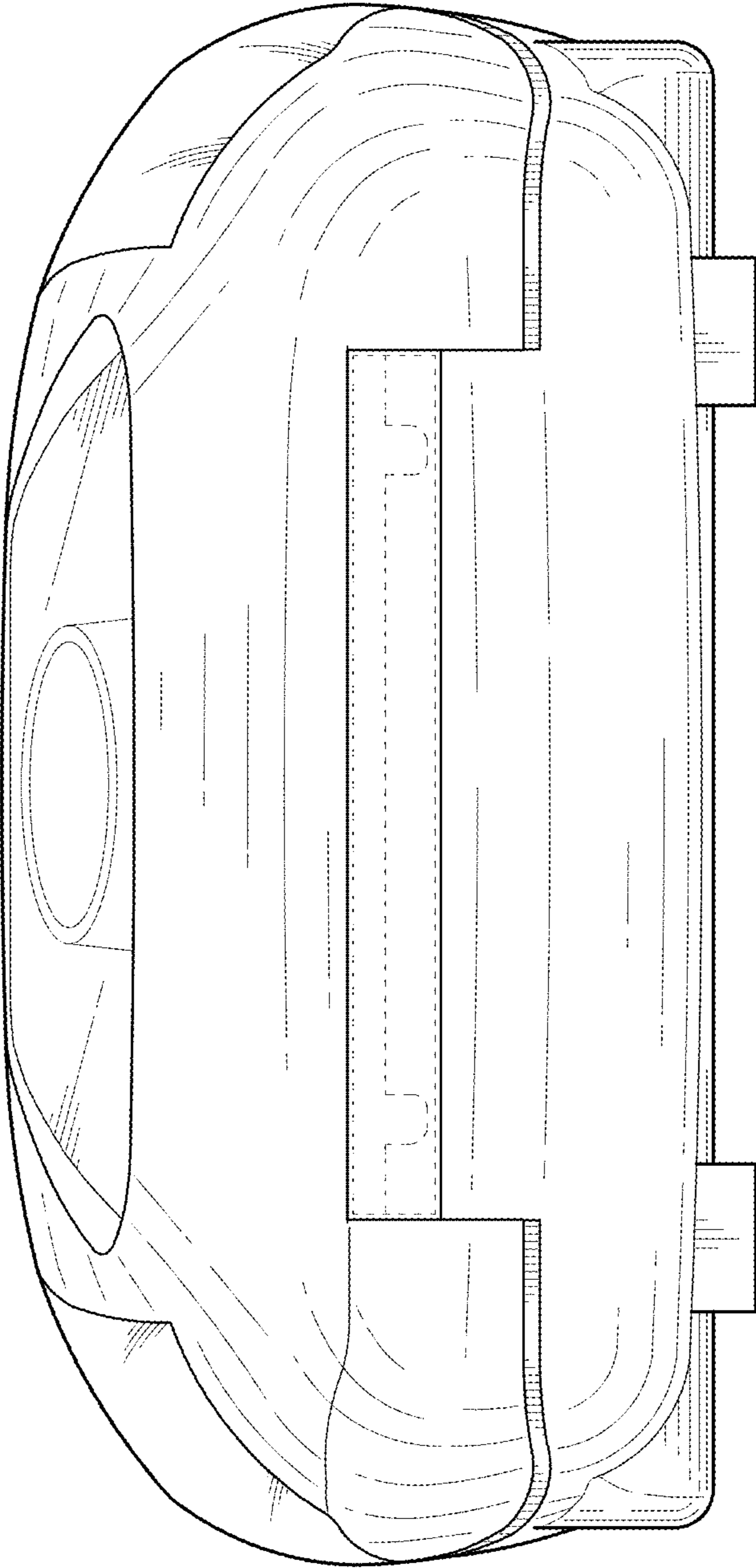


FIG. 7