



US00D830593S

(12) **United States Design Patent**  
**Komuro et al.**

(10) **Patent No.:** **US D830,593 S**  
(45) **Date of Patent:** **\*\* Oct. 9, 2018**

(54) **HEADLAMP FOR AN AUTOMOBILE**

D561,357 S \* 2/2008 Leclercq ..... D26/28  
D561,358 S \* 2/2008 Tachibana ..... D26/28  
D597,232 S \* 7/2009 Hanaoka ..... D26/28

(71) Applicant: **Nissan Motor Co., Ltd.**, Yokohama,  
Kanagawa (JP)

\* cited by examiner

(72) Inventors: **Yukio Komuro**, Kanagawa (JP); **David Beasley**, Hayes (GB)

*Primary Examiner* — Marcus Jackson

(73) Assignee: **Nissan Motor Co., Ltd.**, Yokohama (JP)

(57) **CLAIM**

The ornamental design for a headlamp for an automobile, as shown and described.

(\*\*) Term: **15 Years**

**DESCRIPTION**

(21) Appl. No.: **29/612,068**

FIG. 1 is an outside elevational view of a headlamp for an automobile in accordance with a first embodiment of our new design;

(22) Filed: **Jul. 28, 2017**

FIG. 2 is an inside elevational view thereof;

(30) **Foreign Application Priority Data**

Feb. 7, 2017 (JP) ..... 2017-002155

FIG. 3 is a top plan view thereof;

(51) **LOC (11) Cl.** ..... **26-06**

FIG. 4 is a bottom plan view thereof;

(52) **U.S. Cl.**  
USPC ..... **D26/28**

FIG. 5 is a front side elevational view thereof;

(58) **Field of Classification Search**

USPC ..... D26/28–36; 362/80–83, 267–269,  
362/459–468, 475–478, 485–487

FIG. 6 is a rear side elevational view thereof; and,

CPC ..... F21S 48/00; F21S 48/10; F21S 48/115;  
F21S 48/225; F21S 48/1233; F21S

FIG. 7 is a front side perspective view thereof.

48/1266; F21S 48/1388; F21S 48/2268;  
F21V 21/04

The headlamp is configured to be mounted to an automobile. The mounting structure and support structure of the headlamp, shown in broken lines in FIGS. 1 to 7, form no part of the claimed design since the mounting structure and support structure are hidden when the headlamp is mounted to the automobile.

See application file for complete search history.

In addition, the appearance of the rear side structures and inside structures of the headlamp as shown in broken lines in FIGS. 1 to 7 is for purpose of illustrating the boundaries of the exterior surface of the outside of the headlamp, and forms no part of the claimed design. The headlamp has a front lens that is transparent such that features behind the lens are at least partially visible as illustrated.

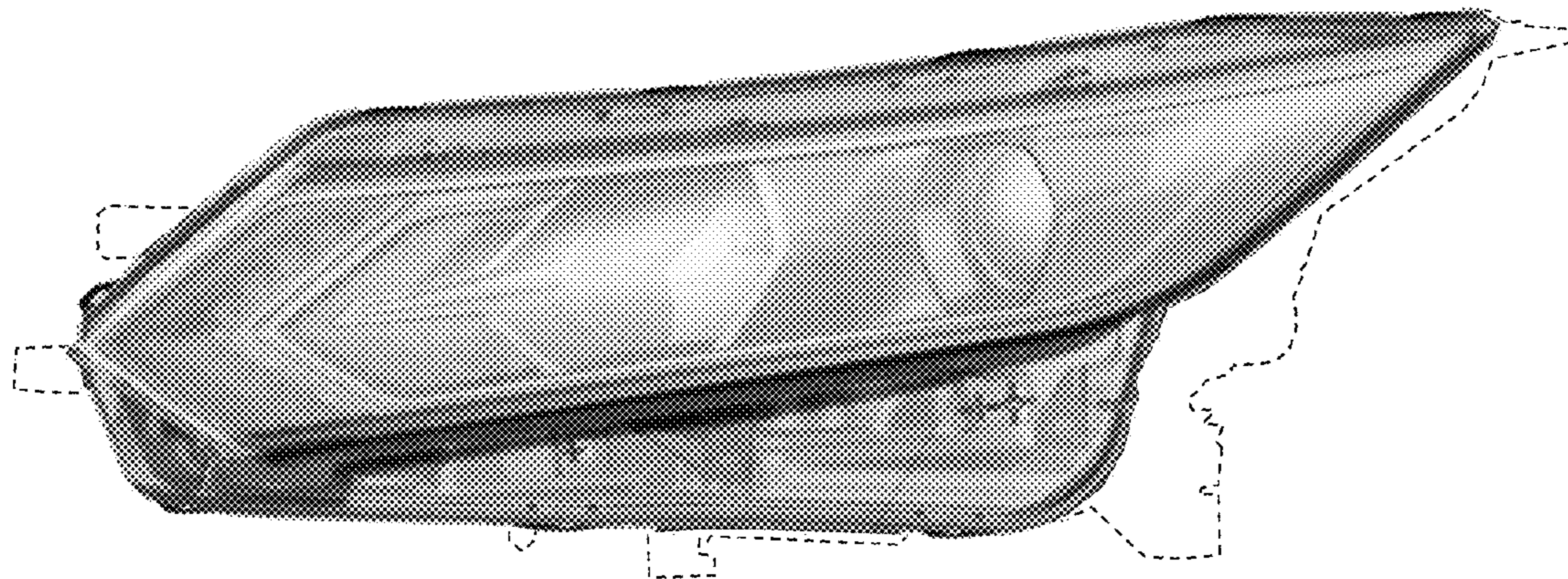
(56) **References Cited**

**U.S. PATENT DOCUMENTS**

A second embodiment of our new design includes the mirror image of the headlamp shown in FIGS. 1 to 7.

D528,685 S \* 9/2006 Yoshida ..... D26/28  
D544,114 S \* 6/2007 Ohta ..... D26/28  
D560,291 S \* 1/2008 Koyama ..... D26/28

**1 Claim, 7 Drawing Sheets**





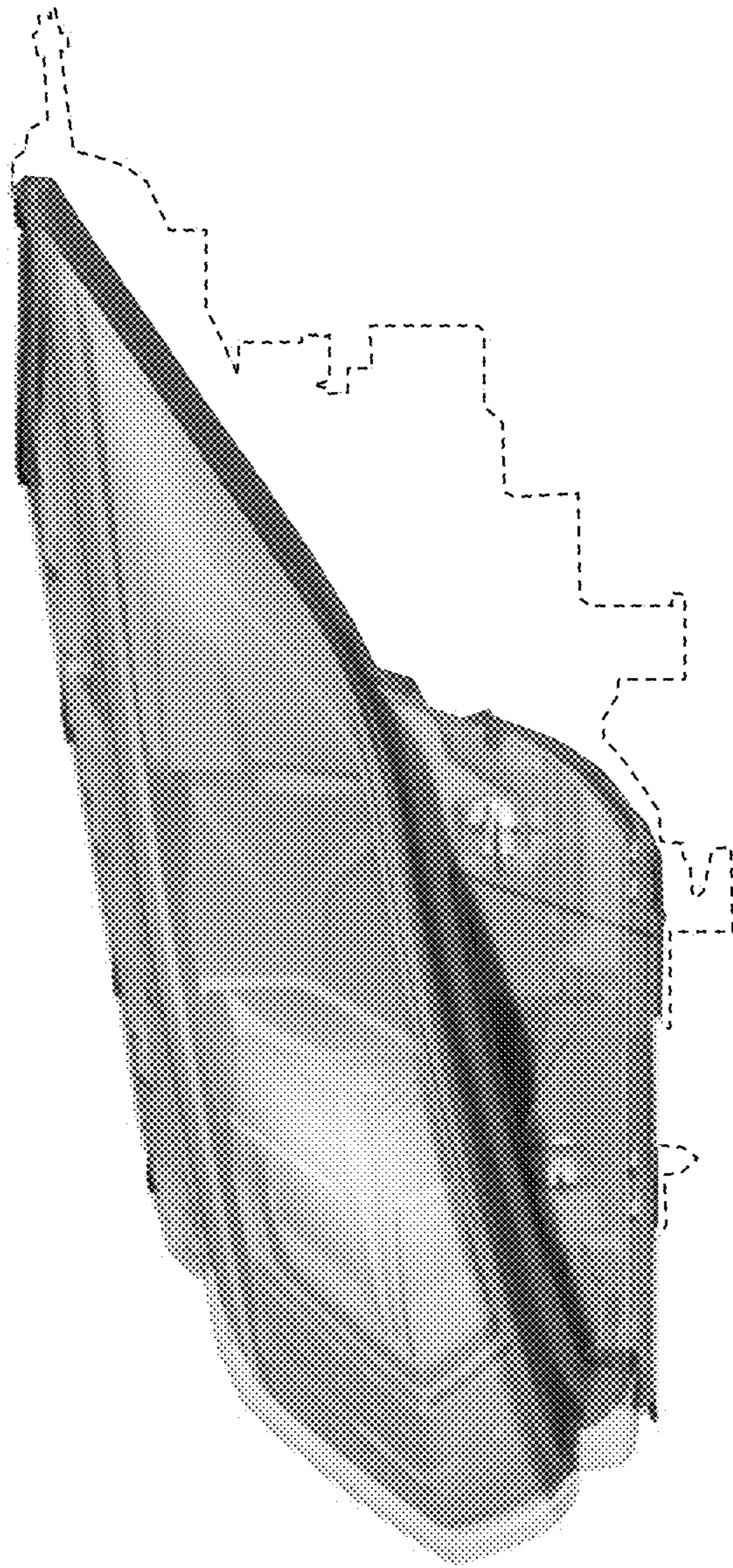


FIG. 1

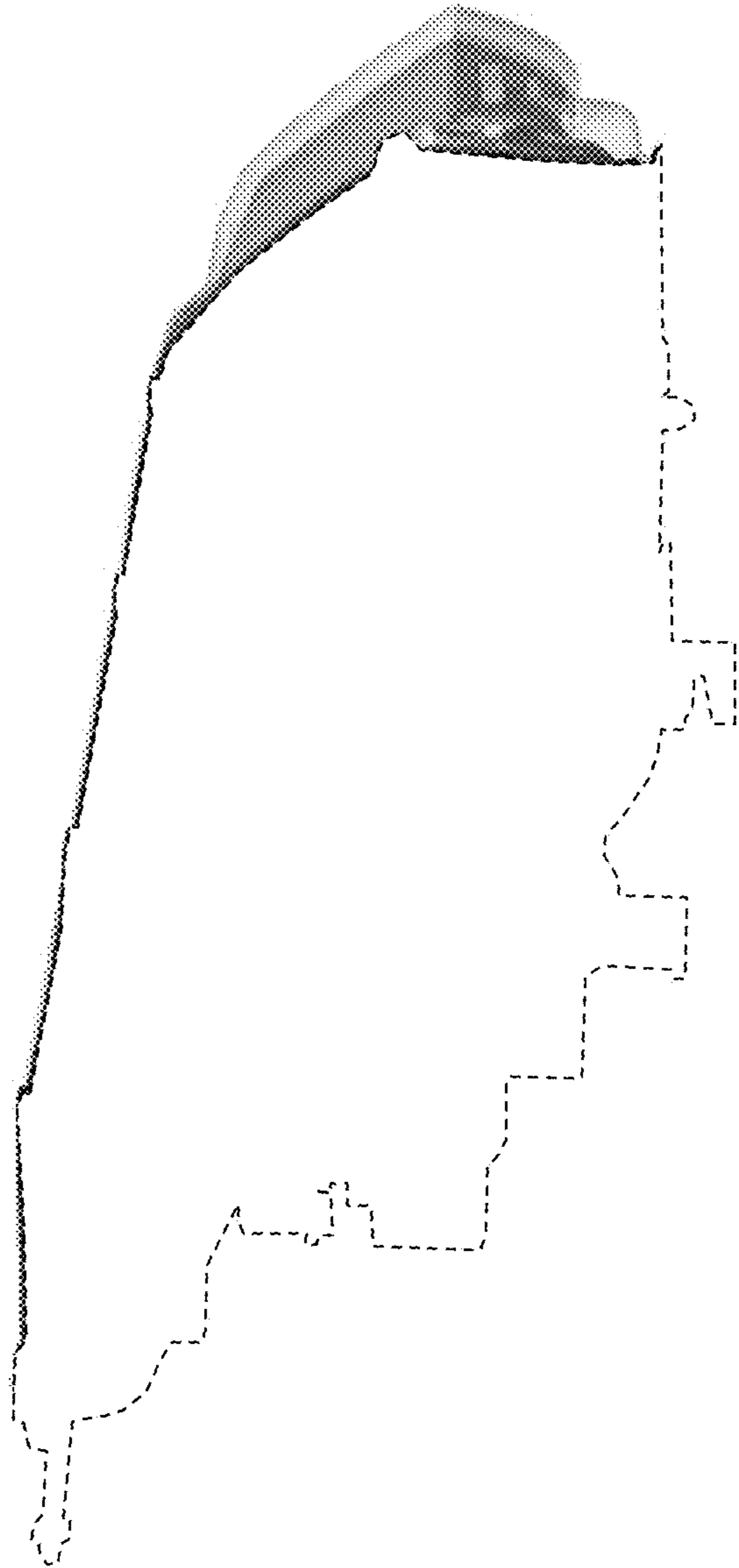


FIG. 2

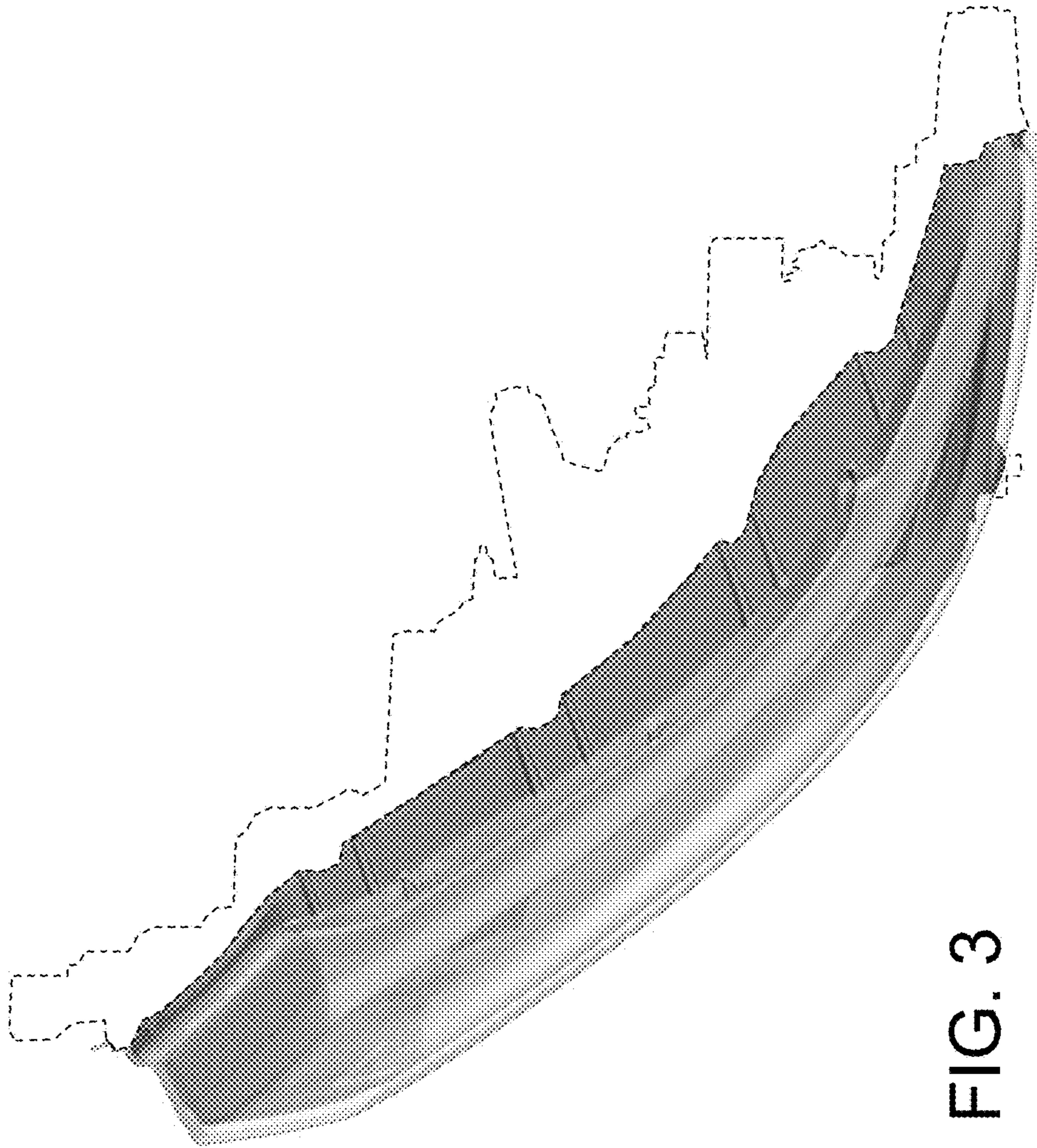


FIG. 3



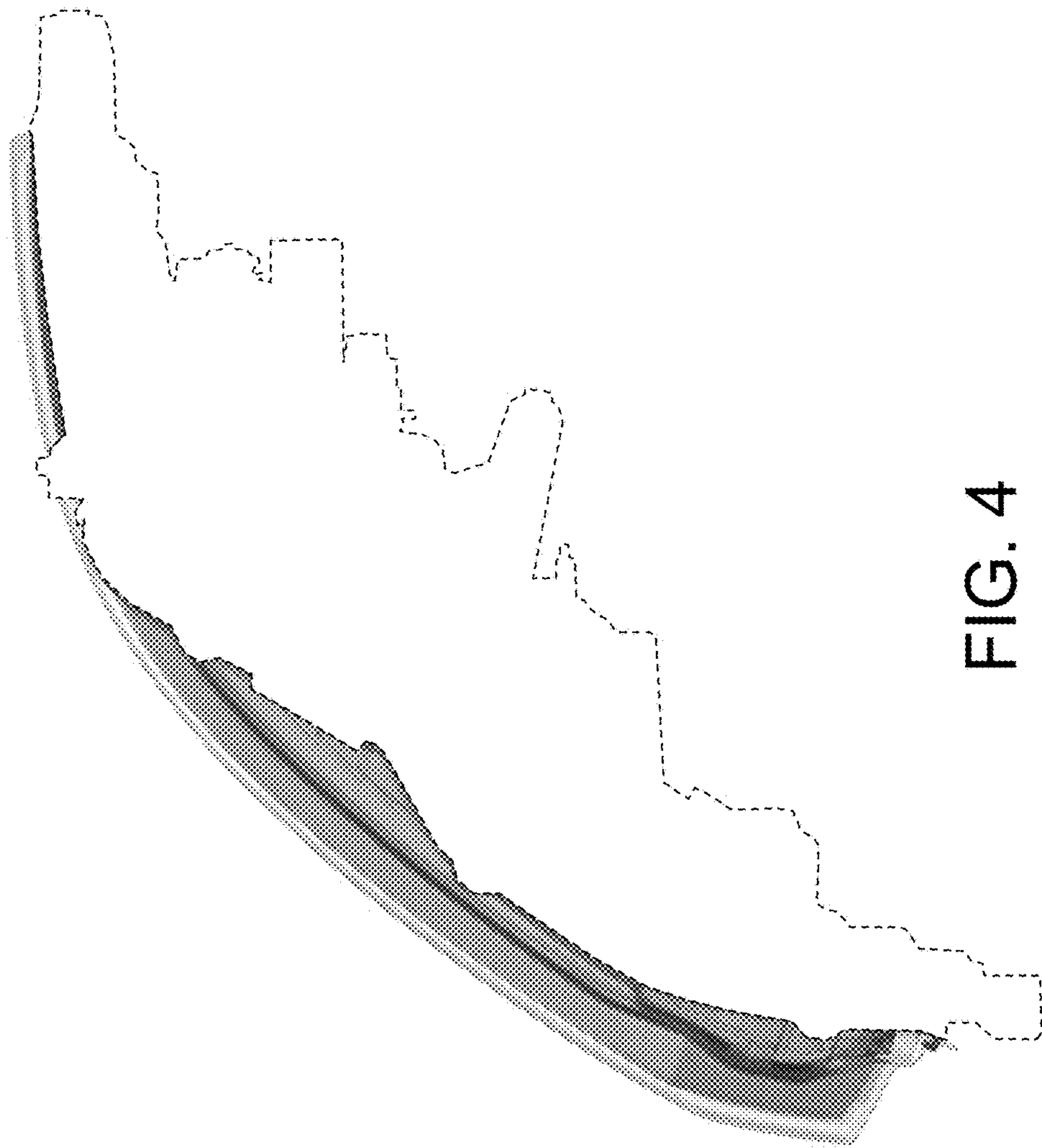


FIG. 4

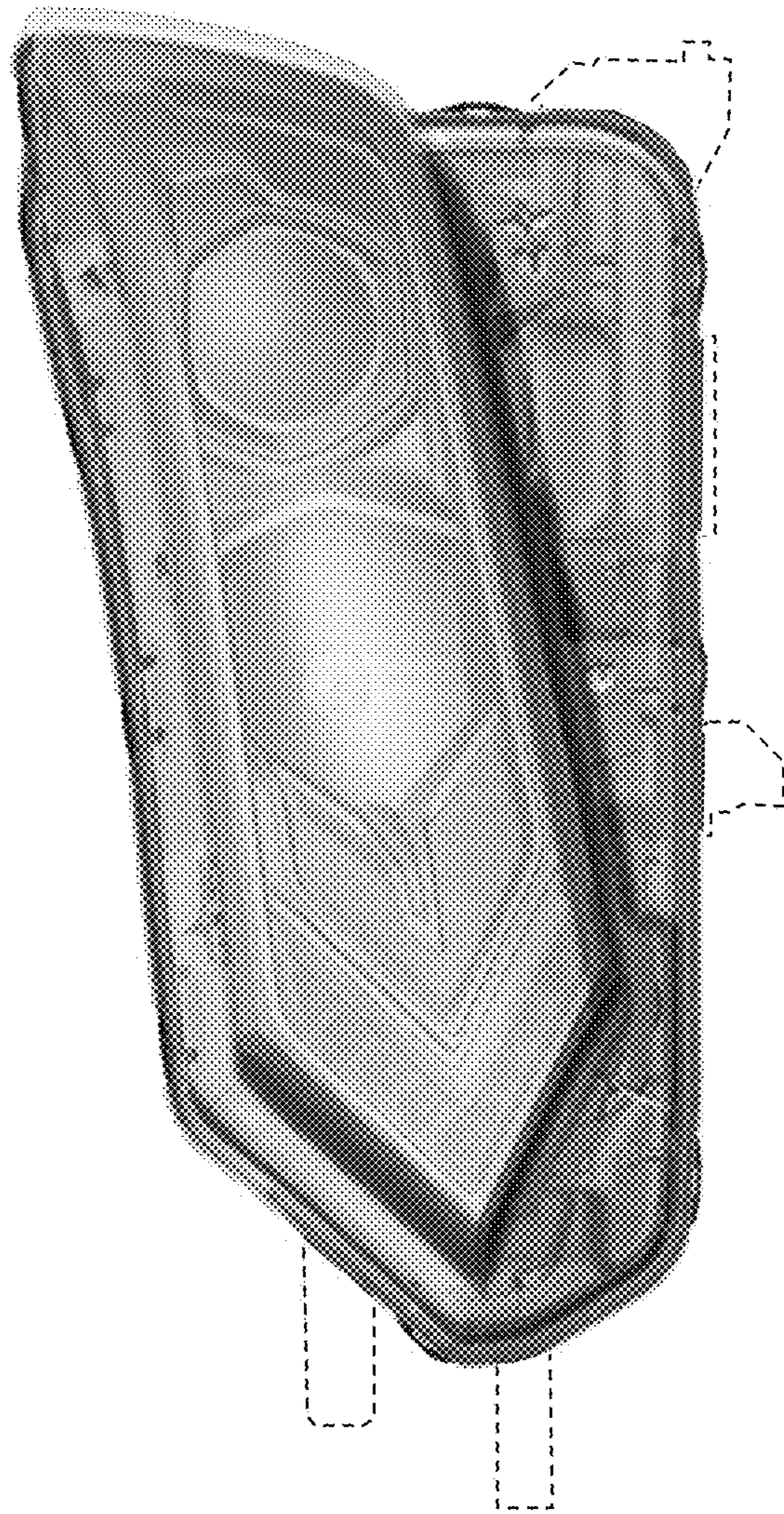


FIG. 5

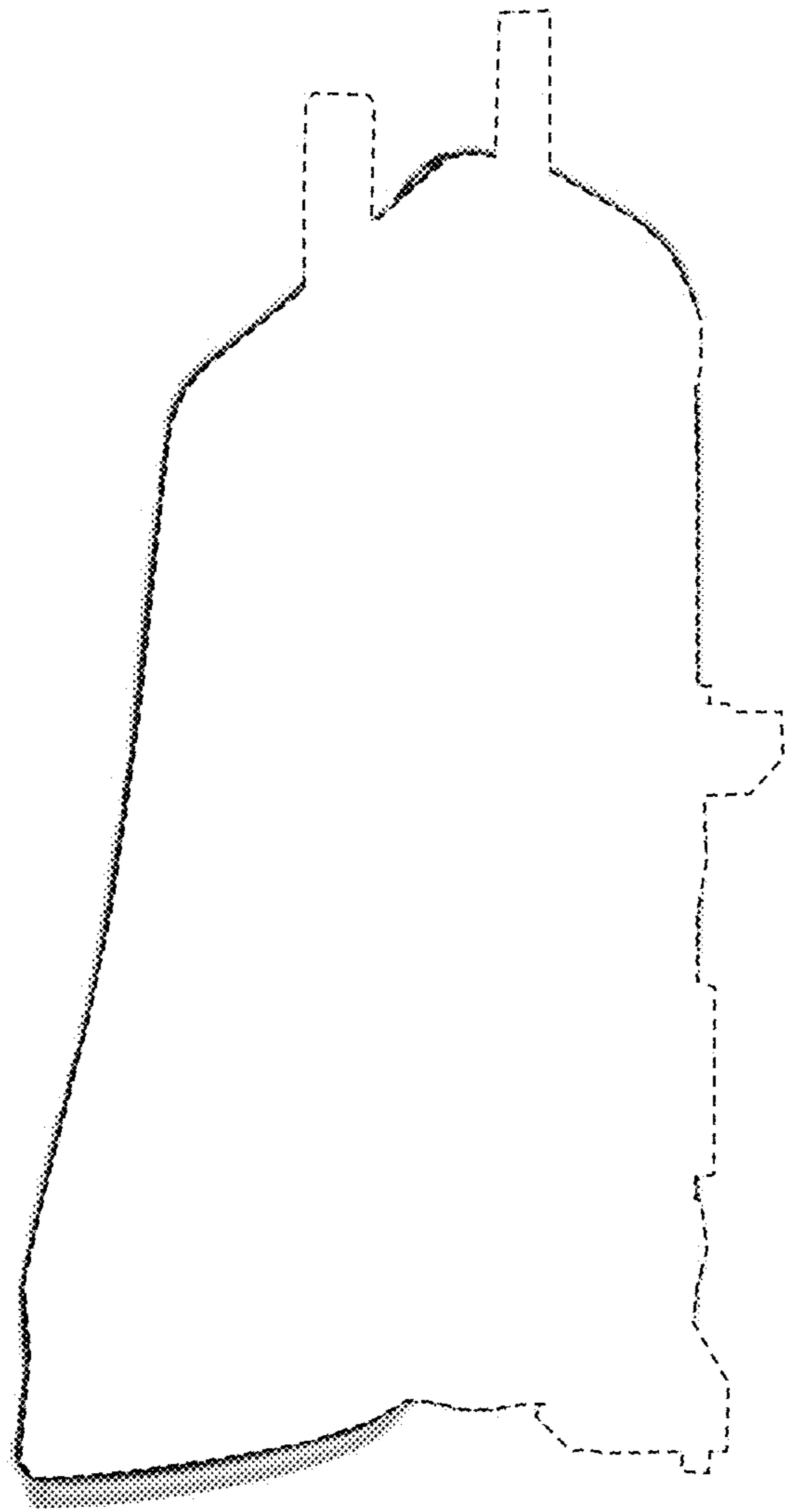


FIG. 6



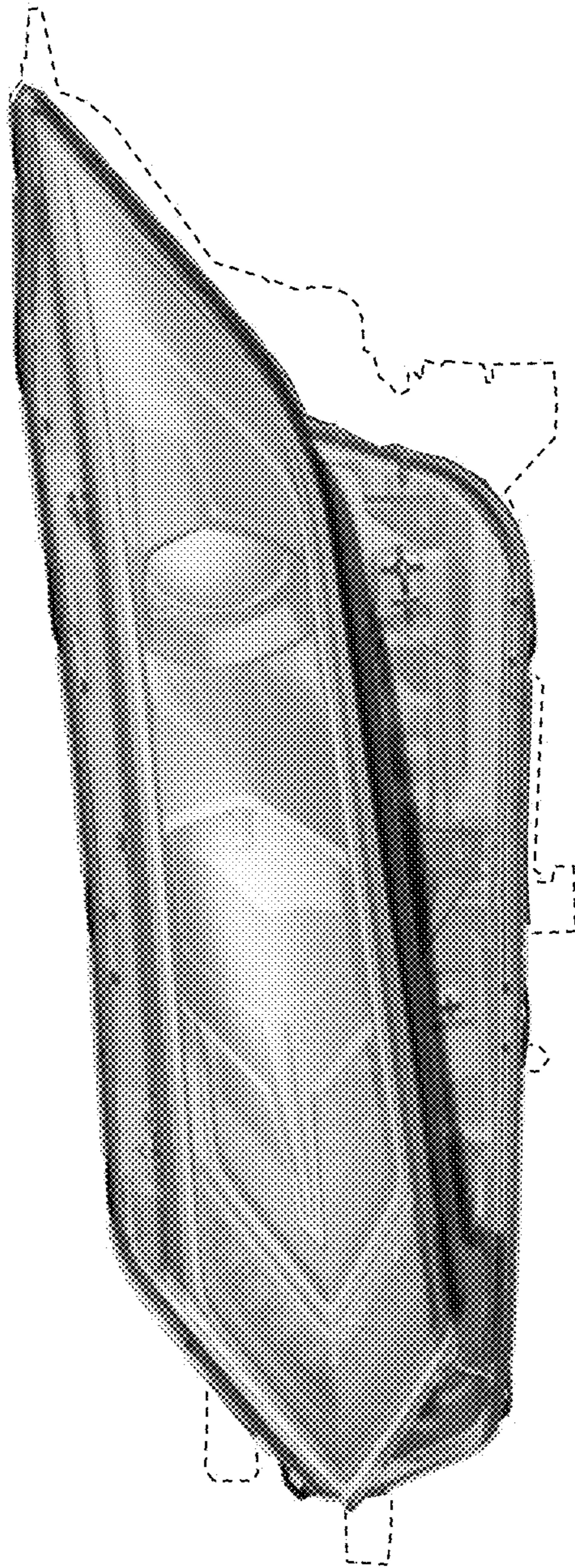


FIG. 7