



US00D830592S

(12) **United States Design Patent** (10) **Patent No.:** **US D830,592 S**
Komuro et al. (45) **Date of Patent:** **** Oct. 9, 2018**

(54) **HEADLAMP FOR AN AUTOMOBILE**

D561,357 S * 2/2008 Leclercq D26/28
D561,358 S * 2/2008 Tachibana D26/28
D597,232 S * 7/2009 Hanaoka D26/28

(71) Applicant: **Nissan Motor Co., Ltd.**, Yokohama, Kanagawa (JP)

* cited by examiner

(72) Inventors: **Yukio Komuro**, Kanagawa (JP); **David Beasley**, Hayes (GB)

Primary Examiner — Marcus Jackson

(73) Assignee: **Nissan Motor Co., Ltd.**, Yokohama (JP)

(57) **CLAIM**

The ornamental design for a headlamp for an automobile, as shown and described.

(**) Term: **15 Years**

DESCRIPTION

(21) Appl. No.: **29/612,067**

FIG. 1 is an outside elevational view of a headlamp for an automobile in accordance with a first embodiment of our new design;

(22) Filed: **Jul. 28, 2017**

FIG. 2 is an inside elevational view thereof;

(30) **Foreign Application Priority Data**

Feb. 7, 2017 (JP) 2017-002152

FIG. 3 is a top plan view thereof;

(51) **LOC (11) Cl.** **26-06**

FIG. 4 is a bottom plan view thereof;

(52) **U.S. Cl.**
USPC **D26/28**

FIG. 5 is a front side elevational view thereof;

(58) **Field of Classification Search**
USPC D26/28–36; 362/80–83, 267–269,
362/459–468, 475–478, 485–487

FIG. 6 is a rear side elevational view thereof; and,

CPC F21S 48/00; F21S 48/10; F21S 48/115;
F21S 48/225; F21S 48/1233; F21S
48/1266; F21S 48/1388; F21S 48/2268;
F21V 21/04

FIG. 7 is a front side perspective view thereof.

See application file for complete search history.

The headlamp is configured to be mounted to an automobile. The mounting structure and support structure of the headlamp, shown in broken lines in FIGS. 1 to 7, form no part of the claimed design since the mounting structure and support structure are hidden when the headlamp is mounted to the automobile.

(56) **References Cited**

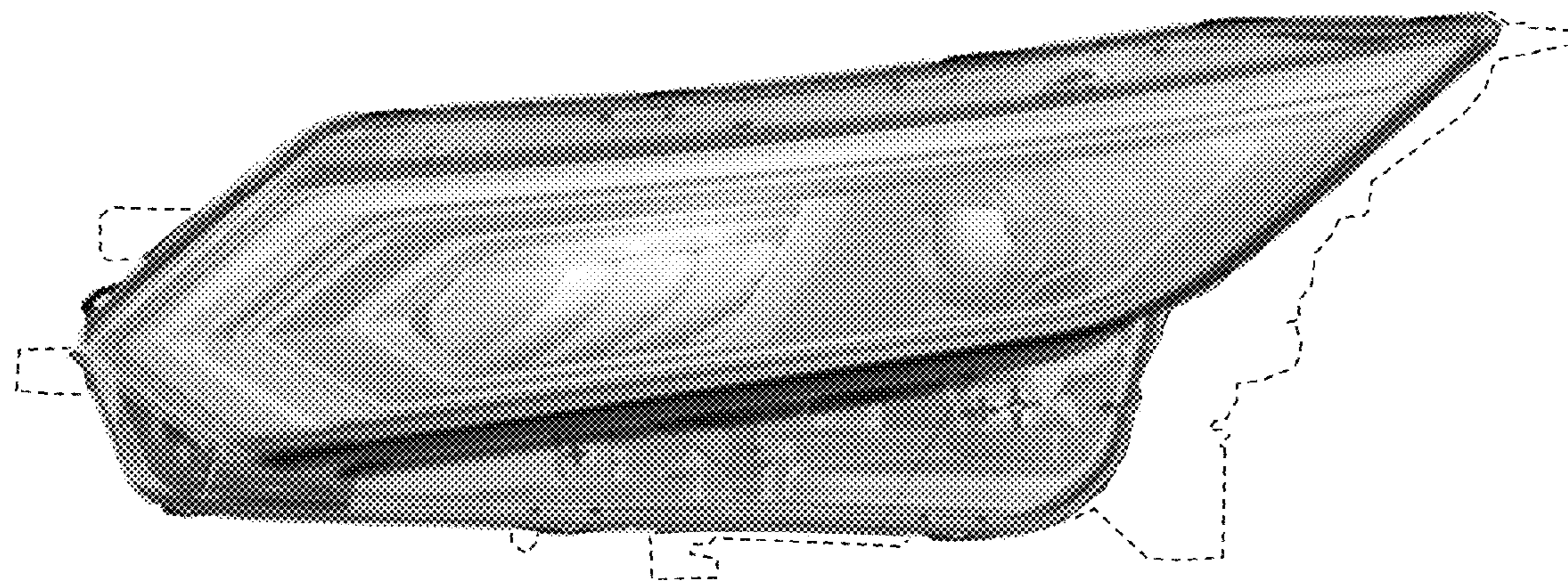
U.S. PATENT DOCUMENTS

D528,685 S * 9/2006 Yoshida D26/28
D544,114 S * 6/2007 Ohta D26/28
D560,291 S * 1/2008 Koyama D26/28

In addition, the appearance of the rear side structures and inside structures of the headlamp as shown in broken lines in FIGS. 1 to 7 is for purpose of illustrating the boundaries of the exterior surface of the outside of the headlamp, and forms no part of the claimed design. The headlamp has a front lens that is transparent such that features behind the lens are at least partially visible as illustrated.

A second embodiment of our new design includes the mirror image of the headlamp shown in FIGS. 1 to 7.

1 Claim, 7 Drawing Sheets



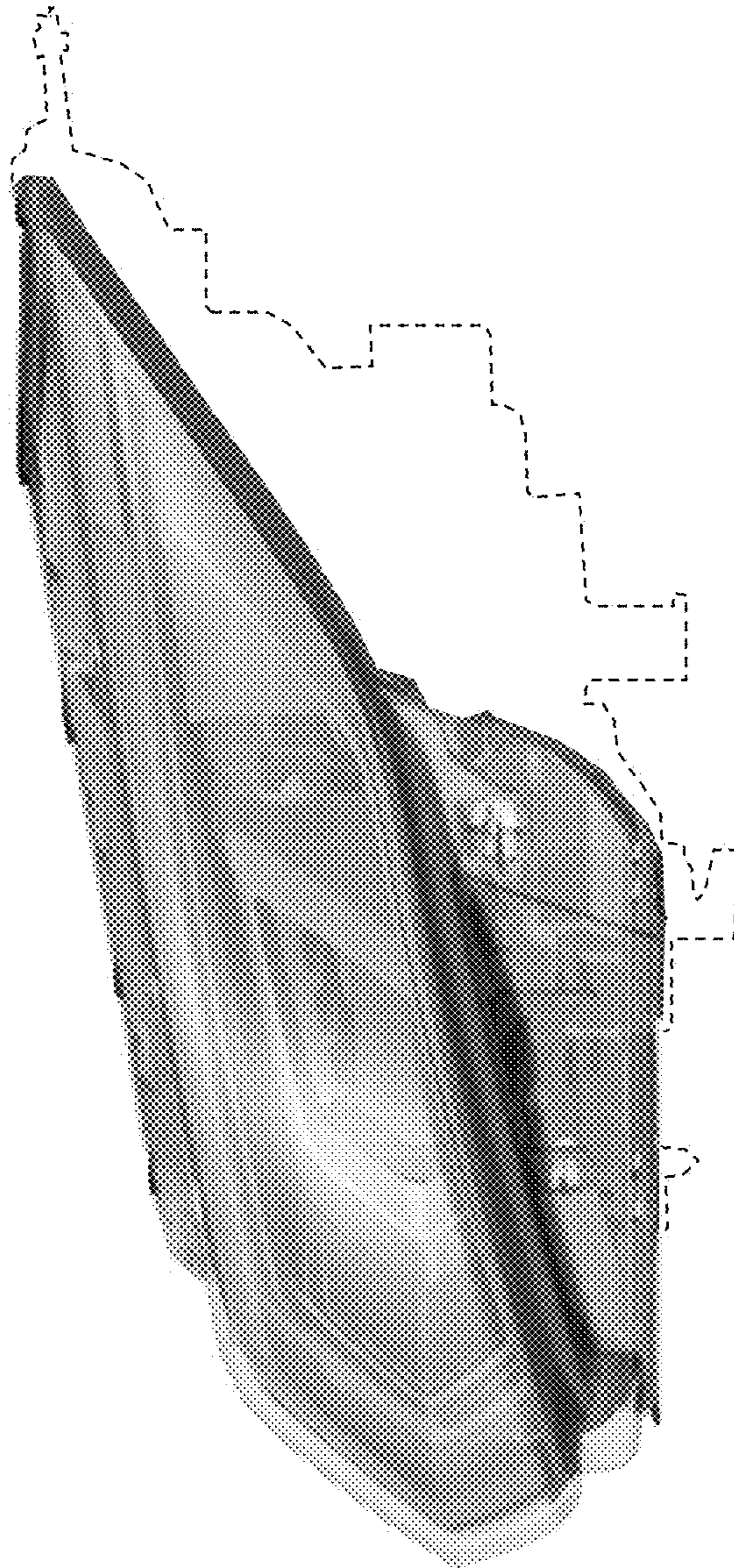


FIG. 1



FIG. 2

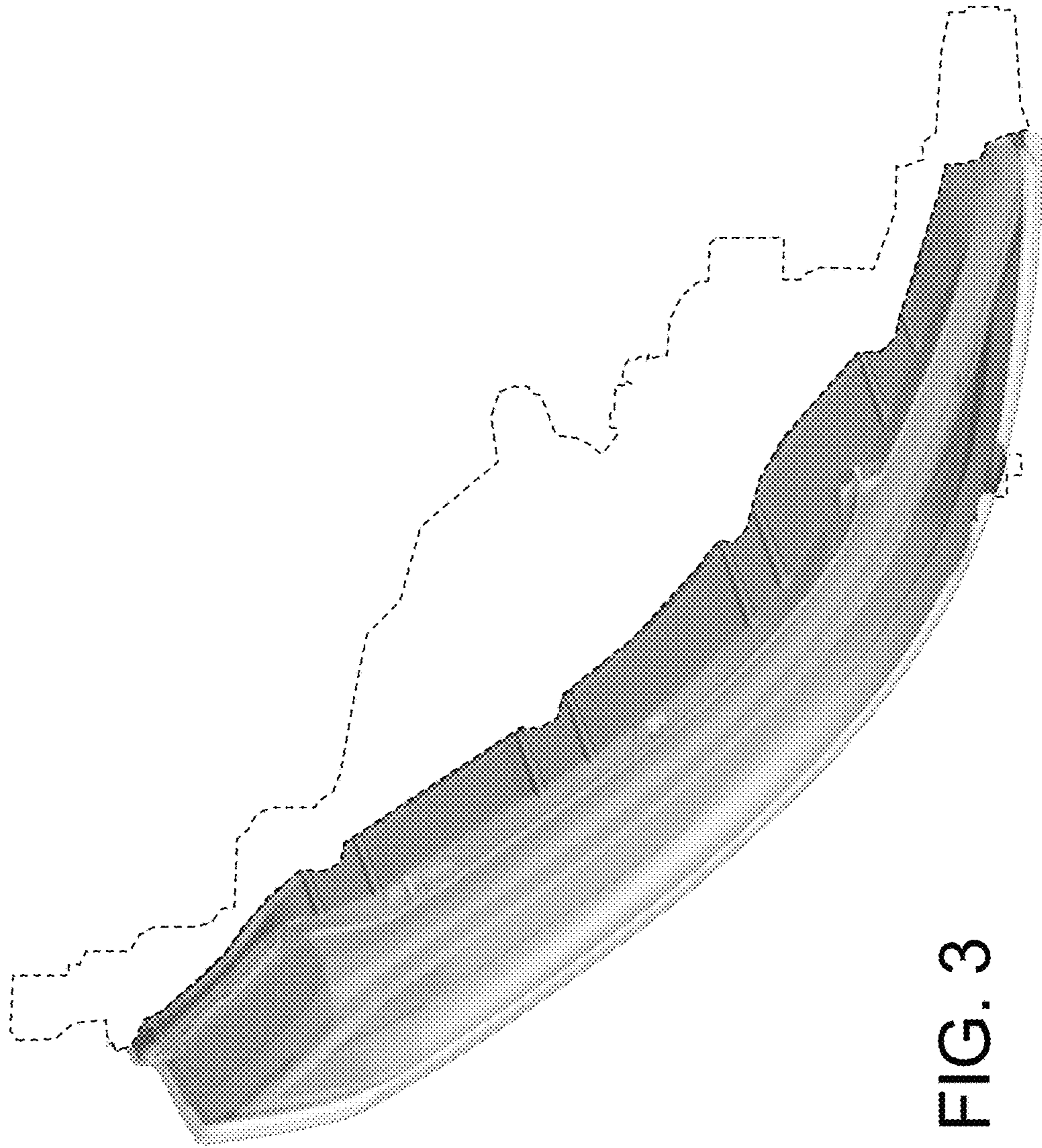


FIG. 3

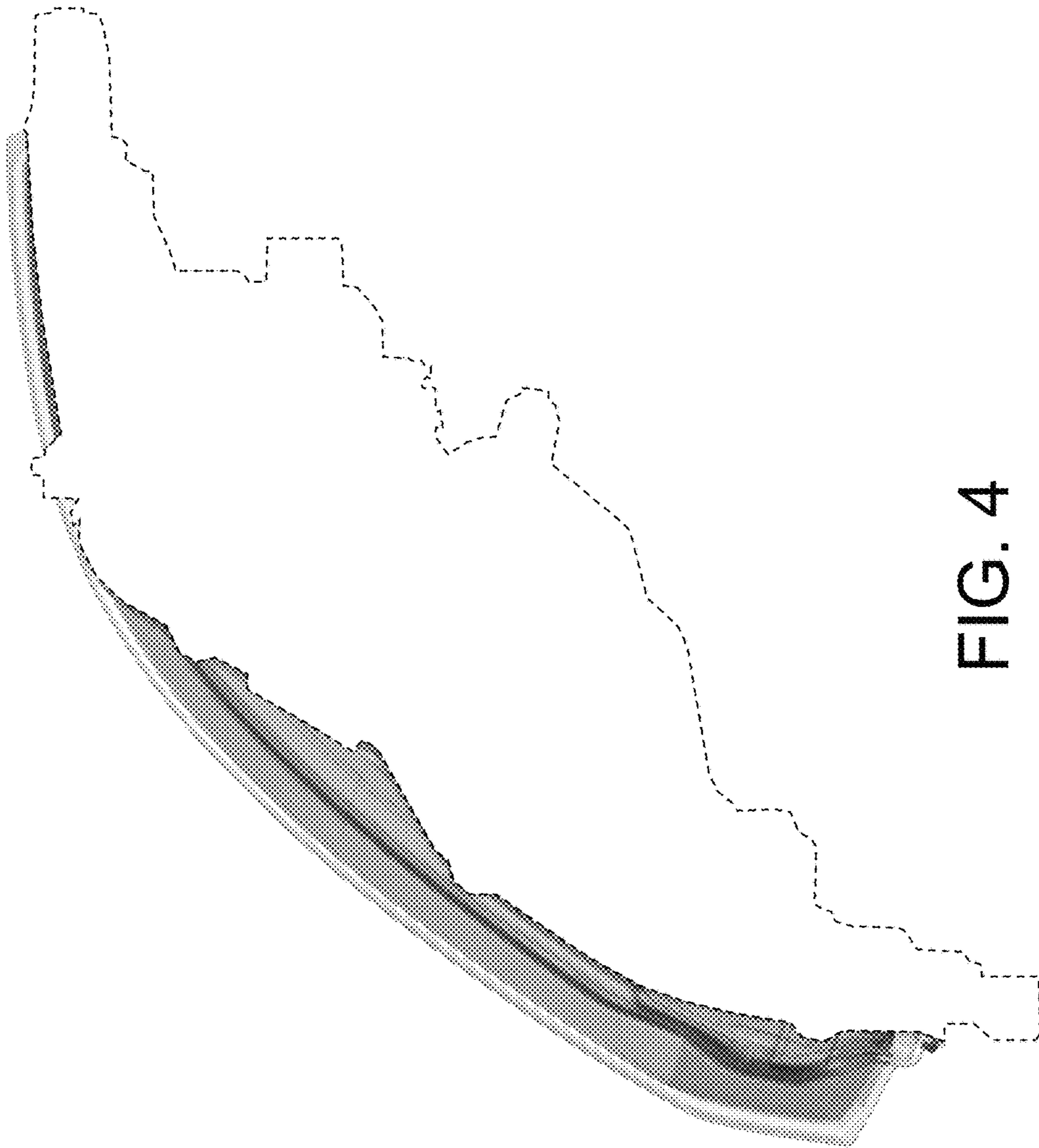


FIG. 4

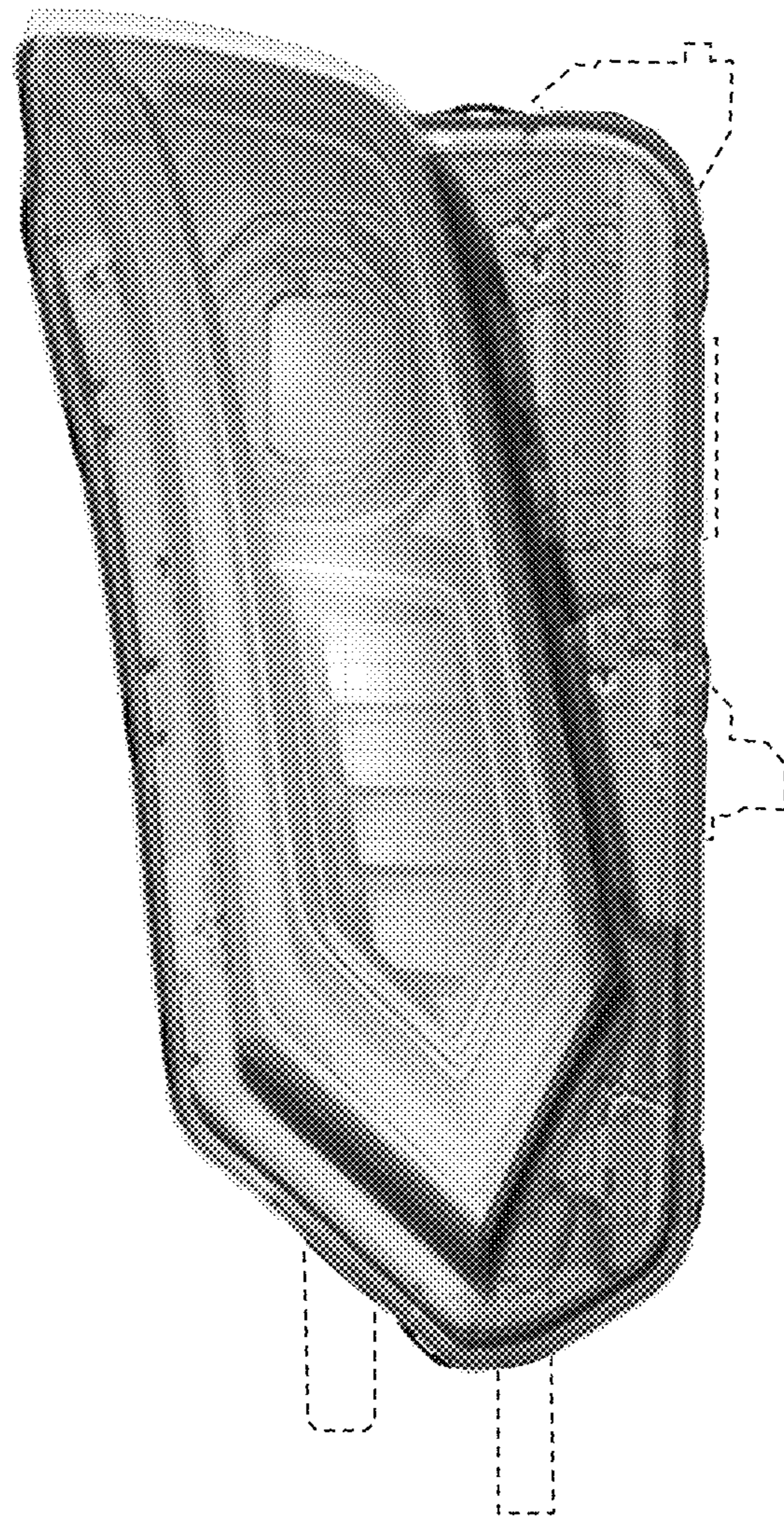


FIG. 5

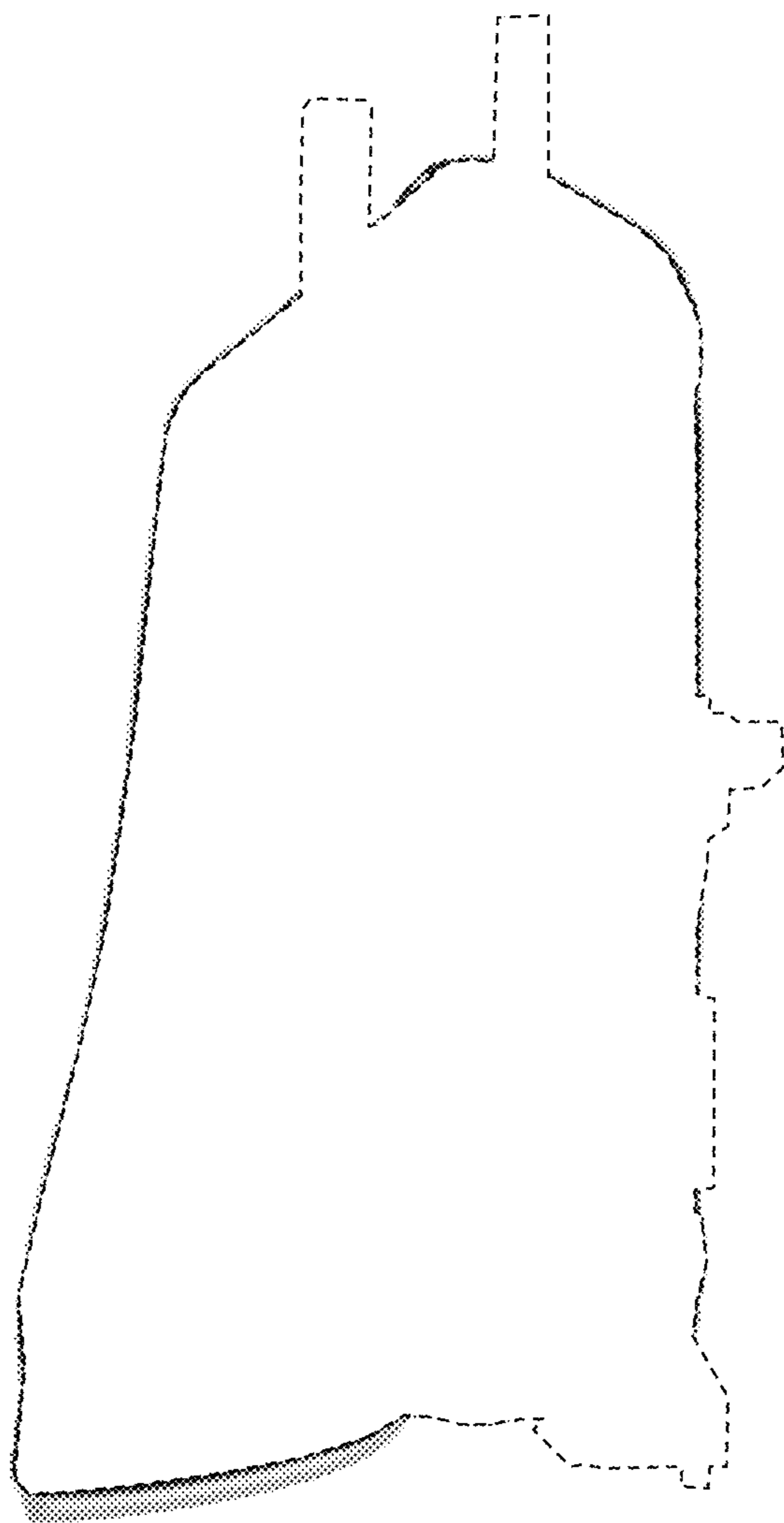


FIG. 6

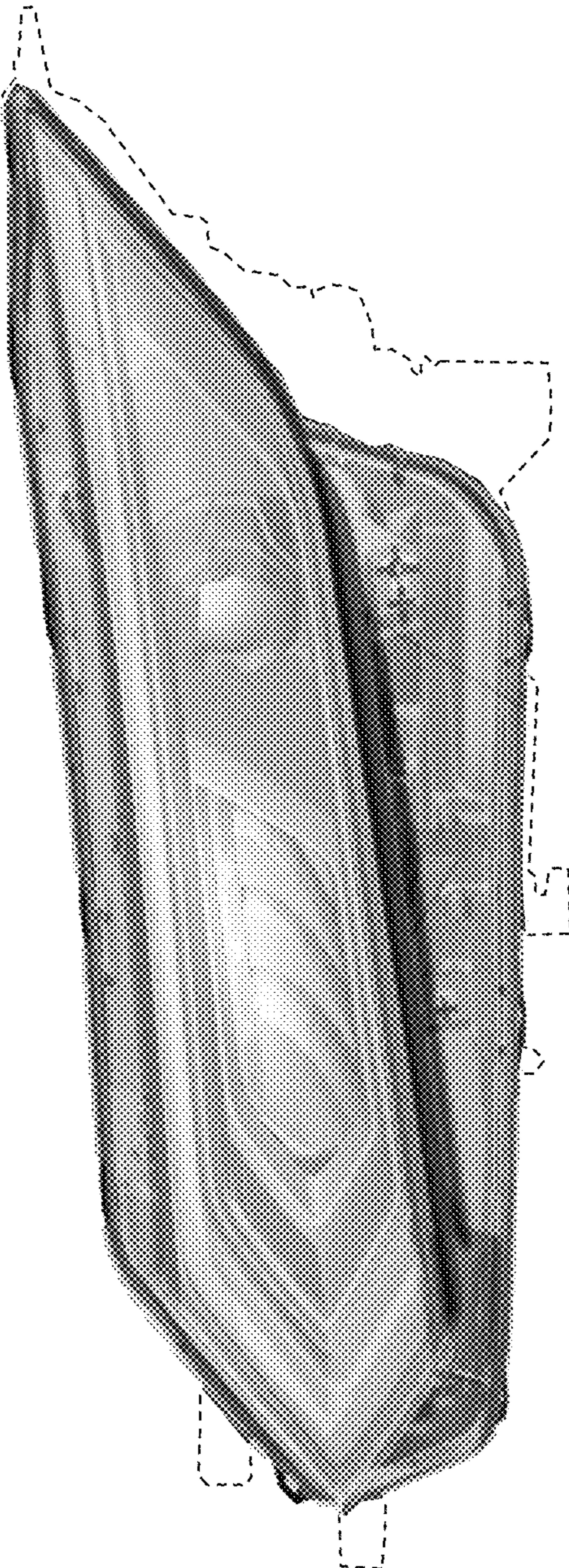


FIG. 7