

US00D830589S

(12) **United States Design Patent**  
**Henriques**

(10) **Patent No.:** **US D830,589 S**  
(45) **Date of Patent:** **\*\* Oct. 9, 2018**

- (54) **VEHICLE FRONT HEADLAMP**
- (71) Applicant: **GM GLOBAL TECHNOLOGY OPERATIONS LLC**, Detroit, MI (US)
- (72) Inventor: **Alexandre Batista Da Silva Henriques**, Rochester Hills, MI (US)
- (73) Assignee: **GM Global Technology Operations LLC**, Detroit, MI (US)
- (\*\*) Term: **15 Years**
- (21) Appl. No.: **29/582,584**
- (22) Filed: **Oct. 28, 2016**
- (51) **LOC (11) Cl.** ..... **26-06**
- (52) **U.S. Cl.**  
USPC ..... **D26/28**
- (58) **Field of Classification Search**  
USPC ..... D26/28-36; 362/80-83, 267-269,  
362/459-468, 475-478, 485-487  
CPC ..... F21S 48/00; F21S 48/10; F21S 48/115;  
F21S 48/1233; F21S 48/1266; F21S  
48/1388; F21S 48/2268; F21V 21/04  
See application file for complete search history.

- D605,977 S 12/2009 Zipfel et al.
- D605,978 S 12/2009 Wolff et al.
- D608,249 S 1/2010 Peters
- D608,690 S 1/2010 Folden et al.
- D608,691 S 1/2010 Zak, Jr. et al.
- D609,608 S 2/2010 Boniface et al.
- D611,387 S 3/2010 Thompson et al.
- D611,879 S 3/2010 Kim et al.
- D612,297 S 3/2010 Peters et al.
- D613,645 S 4/2010 Song et al.
- D615,458 S 5/2010 Thompson et al.
- D618,595 S 6/2010 Ware et al.
- D623,090 S 9/2010 Cox et al.
- D627,262 S 11/2010 Ikeda et al.
- D635,488 S 4/2011 Phipps
- D644,147 S 8/2011 Suh et al.
- D644,567 S 9/2011 Kozub
- D657,718 S 4/2012 Zipfel et al.
- D659,052 S 5/2012 Ware et al.

(Continued)

*Primary Examiner* — Marcus Jackson  
(74) *Attorney, Agent, or Firm* — Reising Ethington P.C.

(57) **CLAIM**

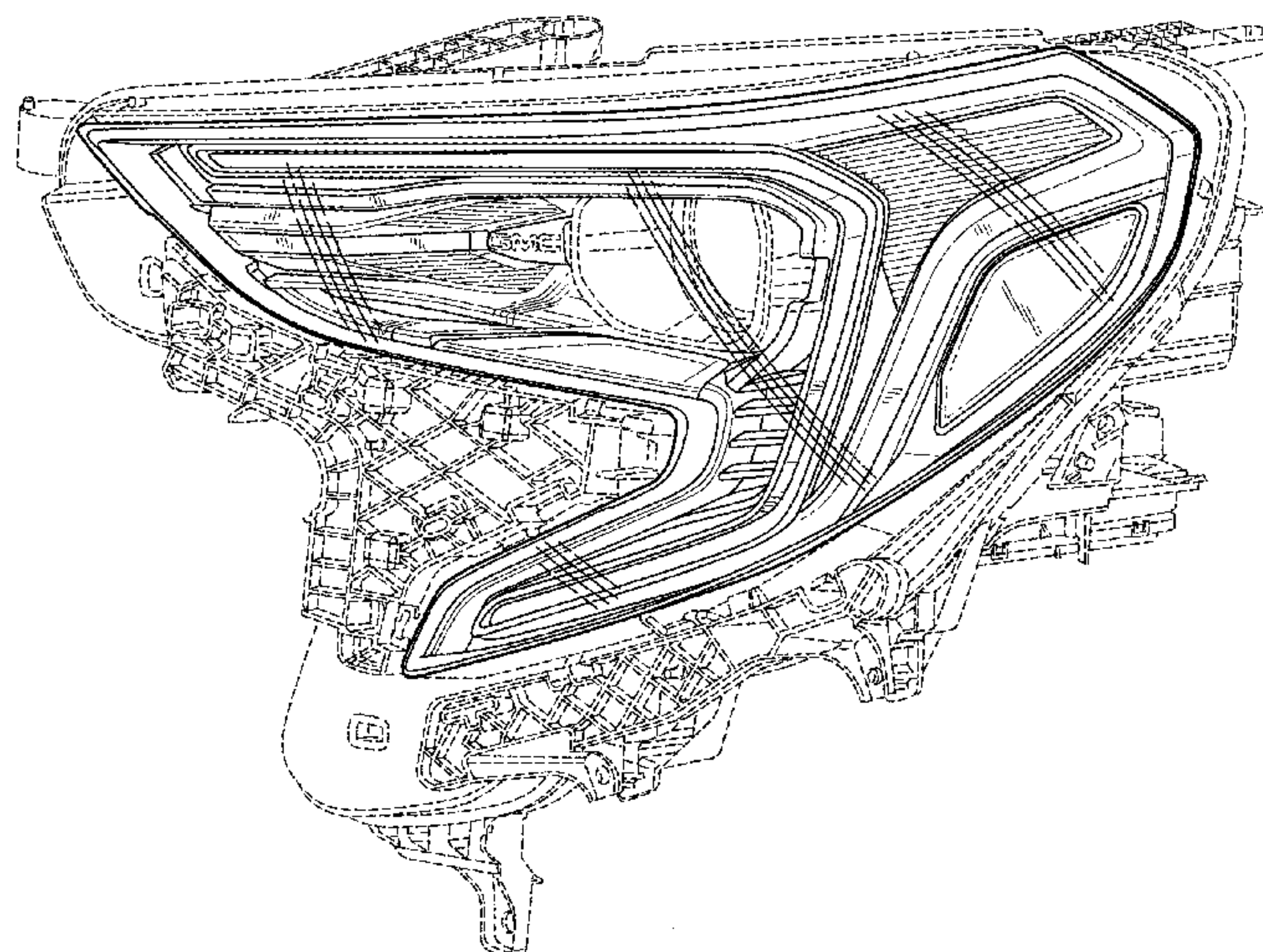
The ornamental design for a vehicle front headlamp, as shown and described.

**DESCRIPTION**

FIG. 1 is a perspective view of one embodiment of the vehicle front headlamp;  
FIG. 2 is a front view of the embodiment of FIG. 1;  
FIG. 3 is a side view of the embodiment of FIG. 1;  
FIG. 4 is a top view of the embodiment of FIG. 1;  
FIG. 5 is a perspective view of another embodiment of the vehicle front headlamp;  
FIG. 6 is a front view of the embodiment of FIG. 5;  
FIG. 7 is a side view of the embodiment of FIG. 5; and,  
FIG. 8 is a top view of the embodiment of FIG. 5.  
In the drawings, the portions shown by broken lines form no part of the claimed design.

**1 Claim, 8 Drawing Sheets**

- (56) **References Cited**  
U.S. PATENT DOCUMENTS
- D556,349 S \* 11/2007 Golden ..... D26/28
- D570,007 S \* 5/2008 Hsu ..... D26/28
- D570,742 S 6/2008 Takagi et al.
- D582,587 S \* 12/2008 Yang ..... D26/28
- D592,105 S 5/2009 Dean et al.
- D597,447 S 8/2009 Folden
- D600,595 S 9/2009 Nakamura et al.
- D601,925 S 10/2009 O'Donnell
- D603,755 S 11/2009 Peters
- D604,203 S 11/2009 O'Donnell
- D605,082 S 12/2009 Munson
- D605,083 S 12/2009 Manoogian, II et al.



(56)

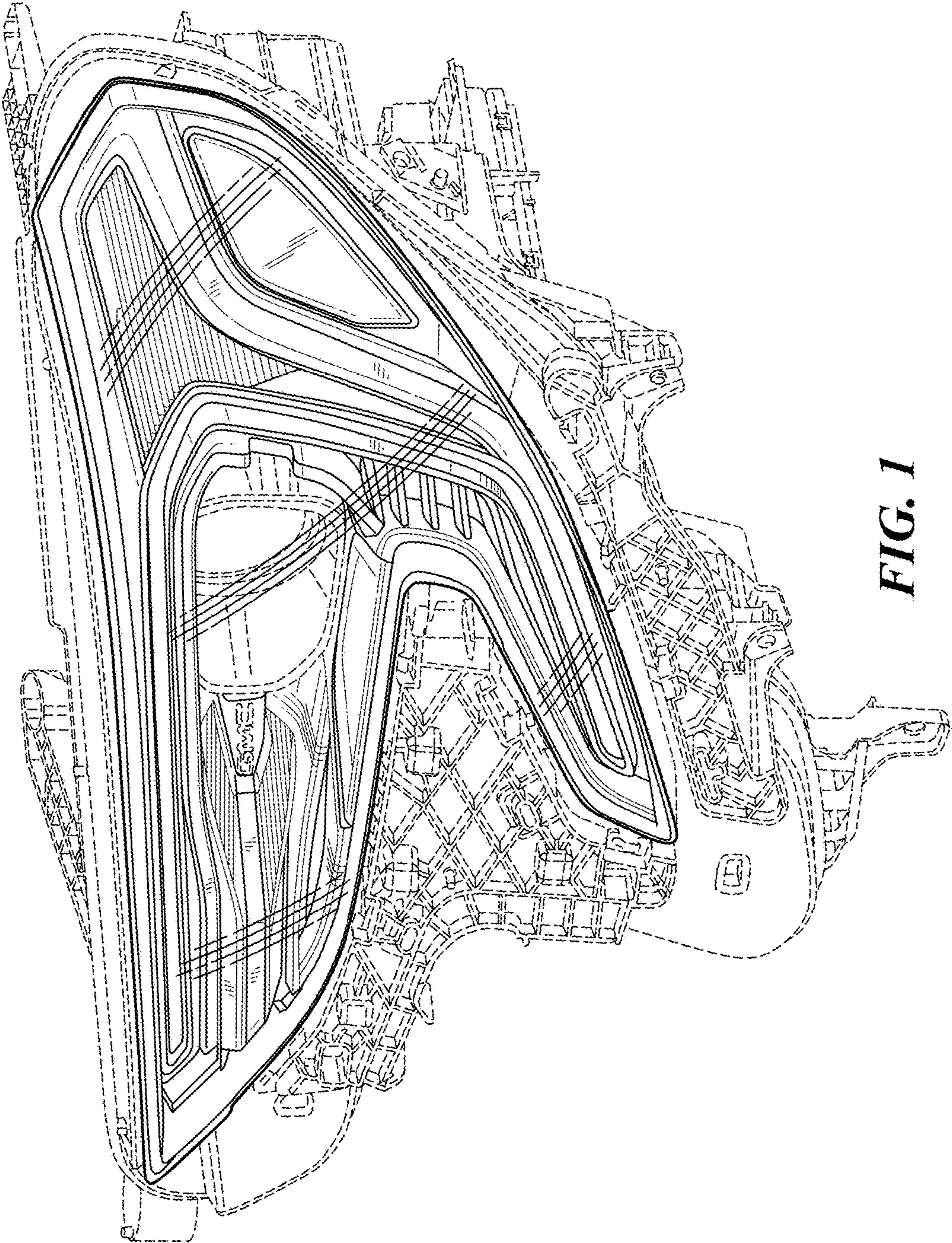
References Cited

U.S. PATENT DOCUMENTS

D659,053 S	5/2012	Ware et al.	D741,223 S	10/2015	Kim et al.
D668,182 S	10/2012	Barba Franco et al.	D743,309 S	11/2015	Thole et al.
D668,183 S	10/2012	Smart	D743,313 S	11/2015	Smith et al.
D678,820 S	3/2013	Son et al.	D743,314 S	11/2015	Thole et al.
D678,821 S	3/2013	Ikeda et al.	D743,857 S	11/2015	McMahan et al.
D680,909 S	4/2013	Munson et al.	D744,158 S	11/2015	Willett et al.
D680,910 S	4/2013	David	D745,086 S	12/2015	Finos et al.
D684,899 S	6/2013	Baker	D745,719 S	12/2015	Boniface et al.
D686,536 S	7/2013	McCabe et al.	D745,725 S	12/2015	McMahan et al.
D692,798 S	11/2013	Thurber	D745,726 S	12/2015	McMahan et al.
D692,799 S	11/2013	Smith et al.	D745,837 S	12/2015	Smith et al.
D696,157 S	12/2013	Loeb	D746,726 S	1/2016	Smith et al.
D699,629 S	2/2014	Ikeda et al.	D746,727 S	1/2016	Smith et al.
D700,871 S	3/2014	O'Donnell et al.	D746,728 S	1/2016	Smith et al.
D703,103 S	4/2014	Lee	D746,729 S	1/2016	Boniface et al.
D704,103 S	5/2014	Mack et al.	D746,730 S	1/2016	Kim et al.
D705,132 S	5/2014	Ware et al.	D747,514 S	1/2016	McMahan et al.
D705,699 S	5/2014	Ware et al.	D747,515 S	1/2016	McMahan et al.
D713,298 S	9/2014	Dyson	D747,819 S	1/2016	Thole et al.
D713,764 S	9/2014	Ferlazzo et al.	D749,021 S	2/2016	Boniface et al.
D716,696 S	11/2014	Thole et al.	D749,026 S	2/2016	Smith et al.
D716,706 S	11/2014	Thole et al.	D749,027 S	2/2016	McMahan et al.
D716,709 S	11/2014	Thole et al.	D749,246 S	2/2016	Thole et al.
D717,696 S	11/2014	Thole et al.	D749,249 S	2/2016	Thole et al.
D718,189 S	11/2014	Krieg et al.	D749,250 S	2/2016	Thole et al.
D718,683 S	12/2014	Thole et al.	D749,985 S	2/2016	Kozub et al.
D722,282 S	2/2015	Loeb	D749,997 S	2/2016	McMahan et al.
D722,533 S	2/2015	Thole et al.	D750,001 S	2/2016	Thole et al.
D722,534 S	2/2015	Munson et al.	D753,032 S	4/2016	Smith et al.
D724,510 S	3/2015	McMahan et al.	D753,033 S	4/2016	Thole et al.
D725,001 S	3/2015	McMahan et al.	D753,034 S	4/2016	Thole et al.
D726,591 S	4/2015	Jacob	D753,035 S	4/2016	Boniface et al.
D730,776 S	6/2015	Smart	D753,559 S	4/2016	McMahan et al.
D730,783 S	6/2015	Henriques et al.	D753,560 S	4/2016	McMahan et al.
D732,427 S	6/2015	Loeb	D753,567 S	4/2016	Boniface et al.
D732,429 S	6/2015	Loeb	D754,571 S	4/2016	Boniface et al.
D732,430 S	6/2015	Loeb	D754,572 S	4/2016	McMahan et al.
D732,431 S	6/2015	Loeb	D755,088 S	5/2016	McMahan et al.
D732,432 S	6/2015	Aengenheyster	D756,869 S	5/2016	McMahan et al.
D732,433 S	6/2015	Aengenheyster	D758,271 S	6/2016	McMahan et al.
D732,435 S	6/2015	Mackay	D767,449 S	9/2016	Pevovar et al.
D733,002 S	6/2015	Loeb	D767,450 S	9/2016	Lee et al.
D735,611 S	8/2015	Aengenheyster	D767,451 S	9/2016	Kozub et al.
D735,627 S	8/2015	Smith	D767,454 S	9/2016	McMahan et al.
D736,451 S	8/2015	Smith	D767,458 S	9/2016	Kim
D739,306 S	9/2015	McMahan et al.	D767,459 S	9/2016	Kim
D739,317 S	9/2015	McMahan et al.	D767,460 S	9/2016	Kozub et al.
			D767,461 S	9/2016	Kozub et al.

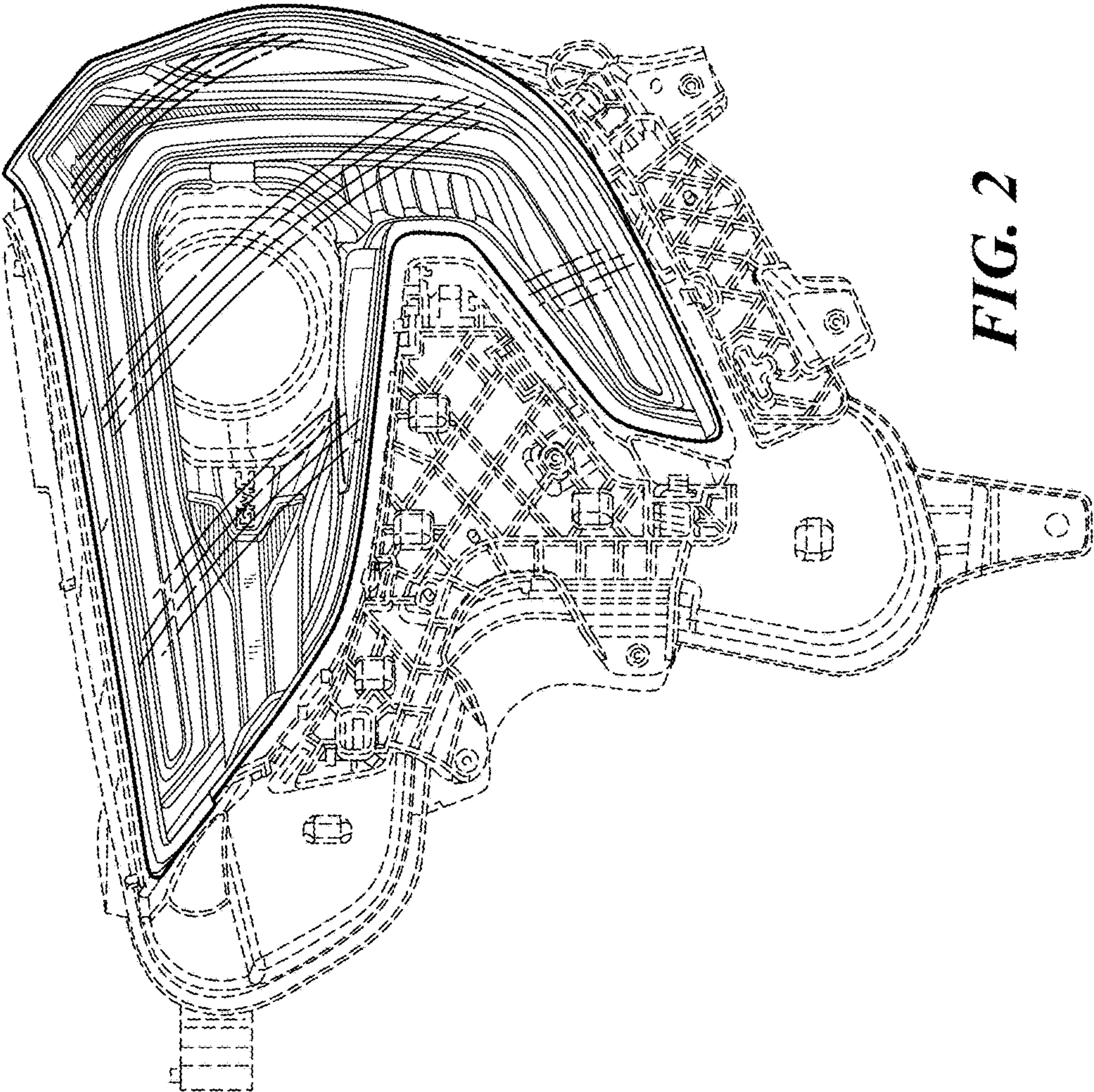
\* cited by examiner





**FIG. 1**





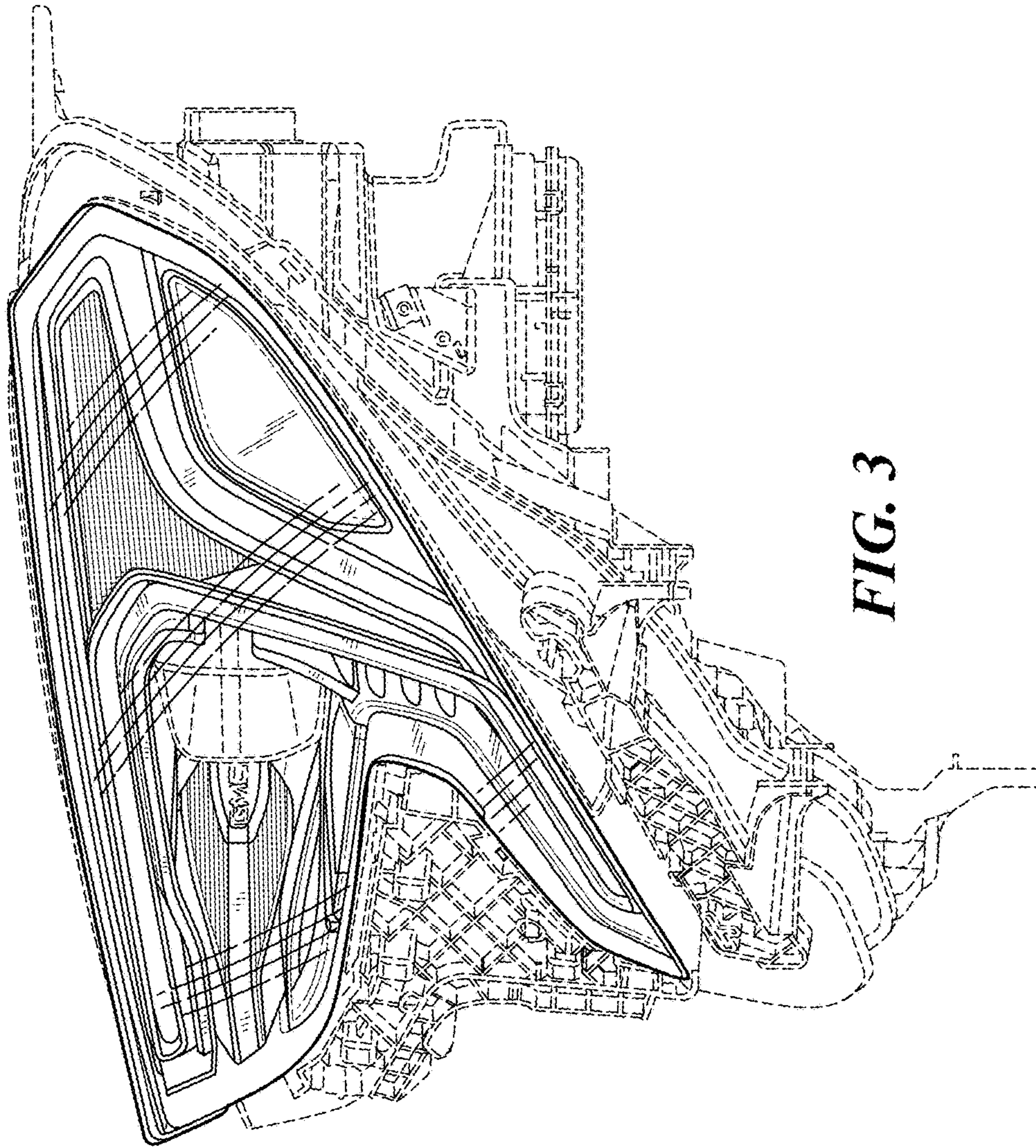
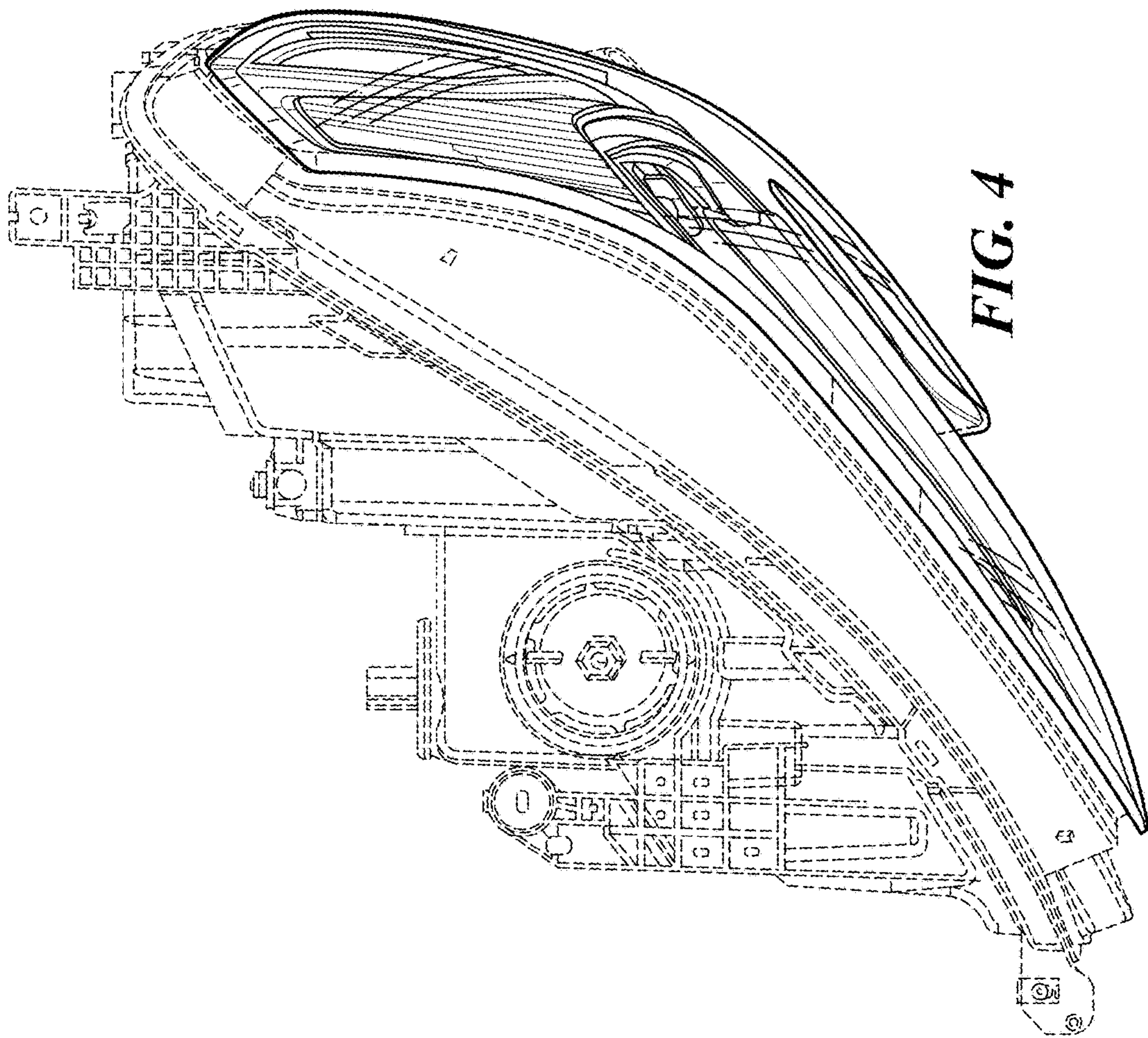
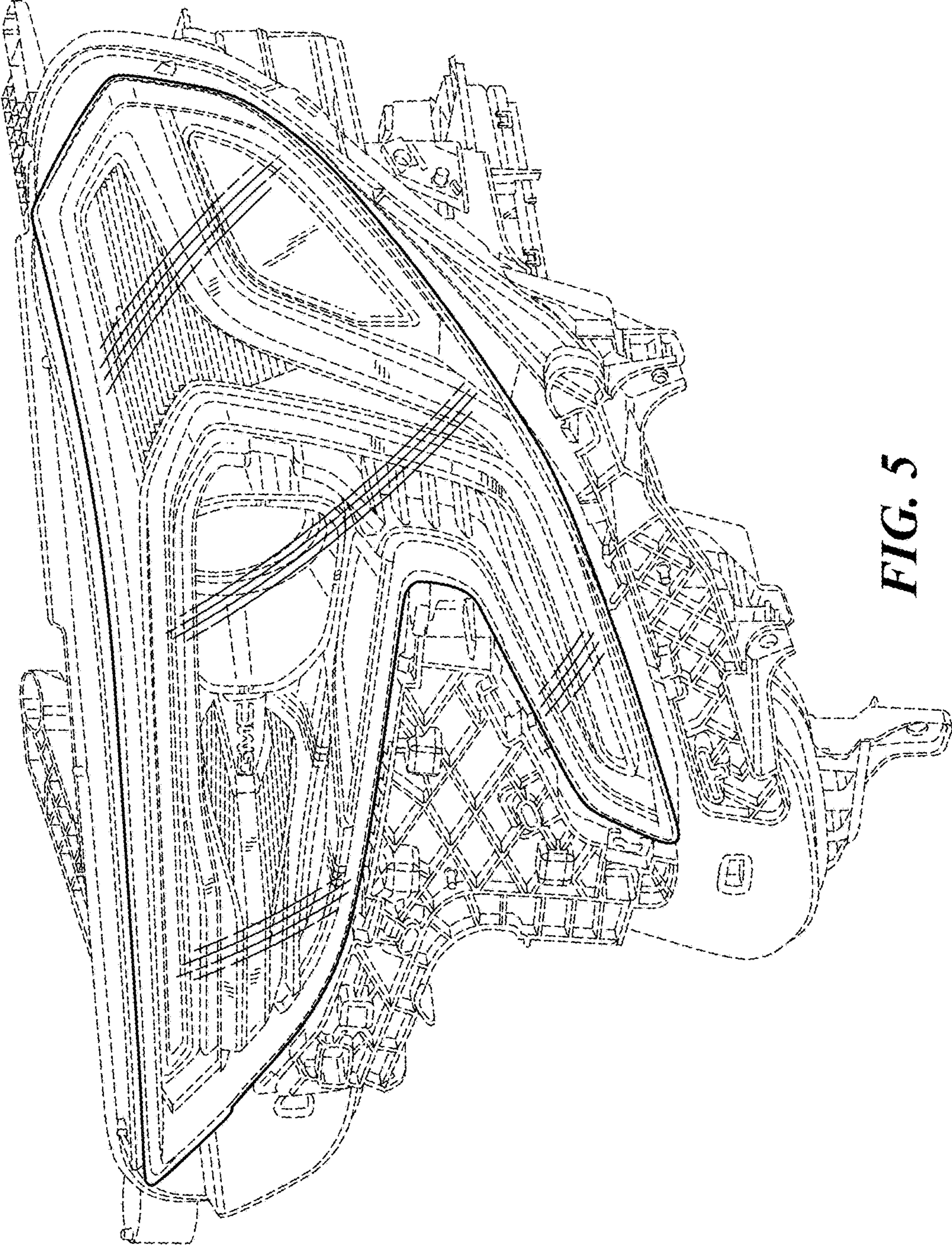


FIG. 3

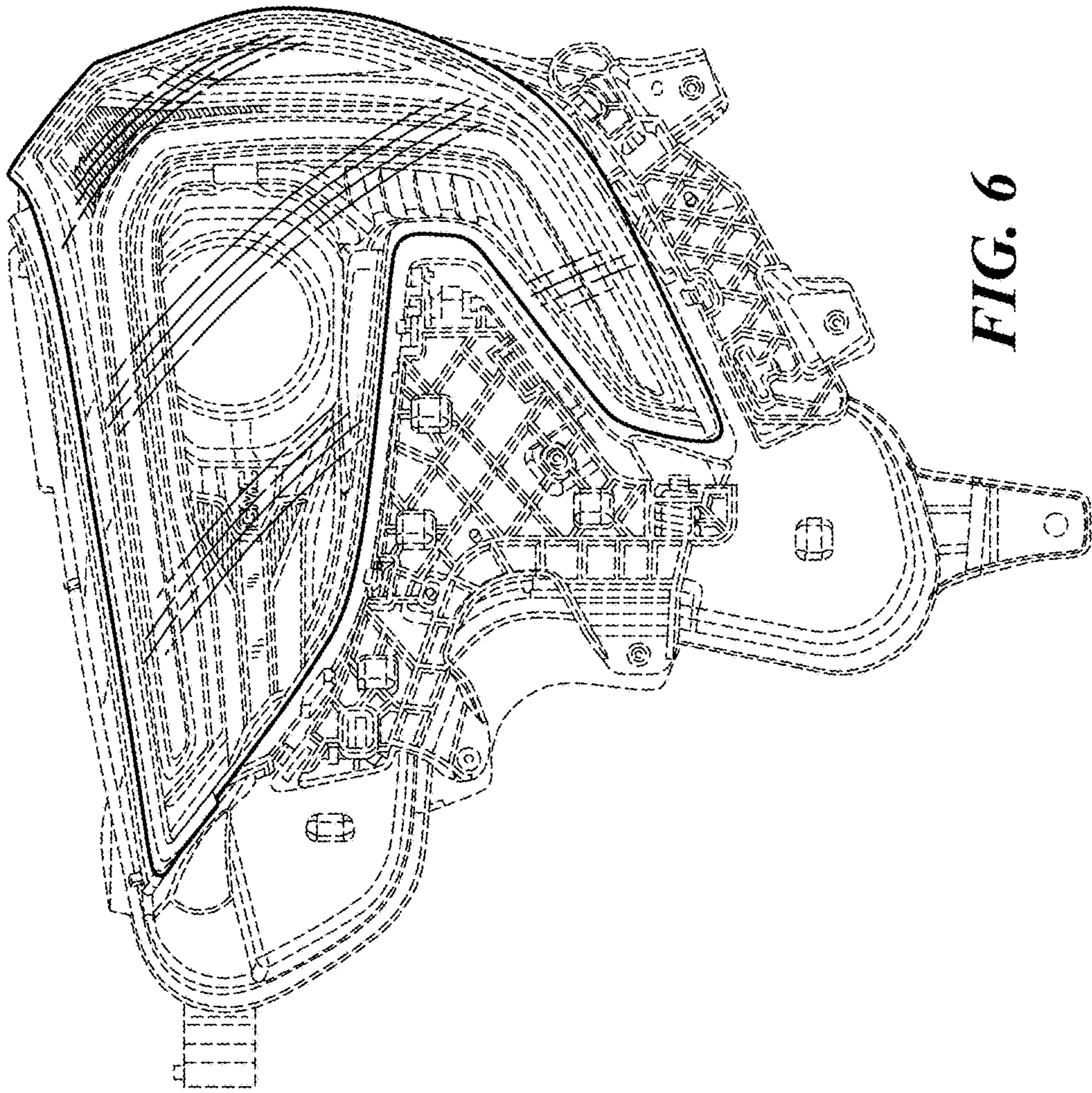






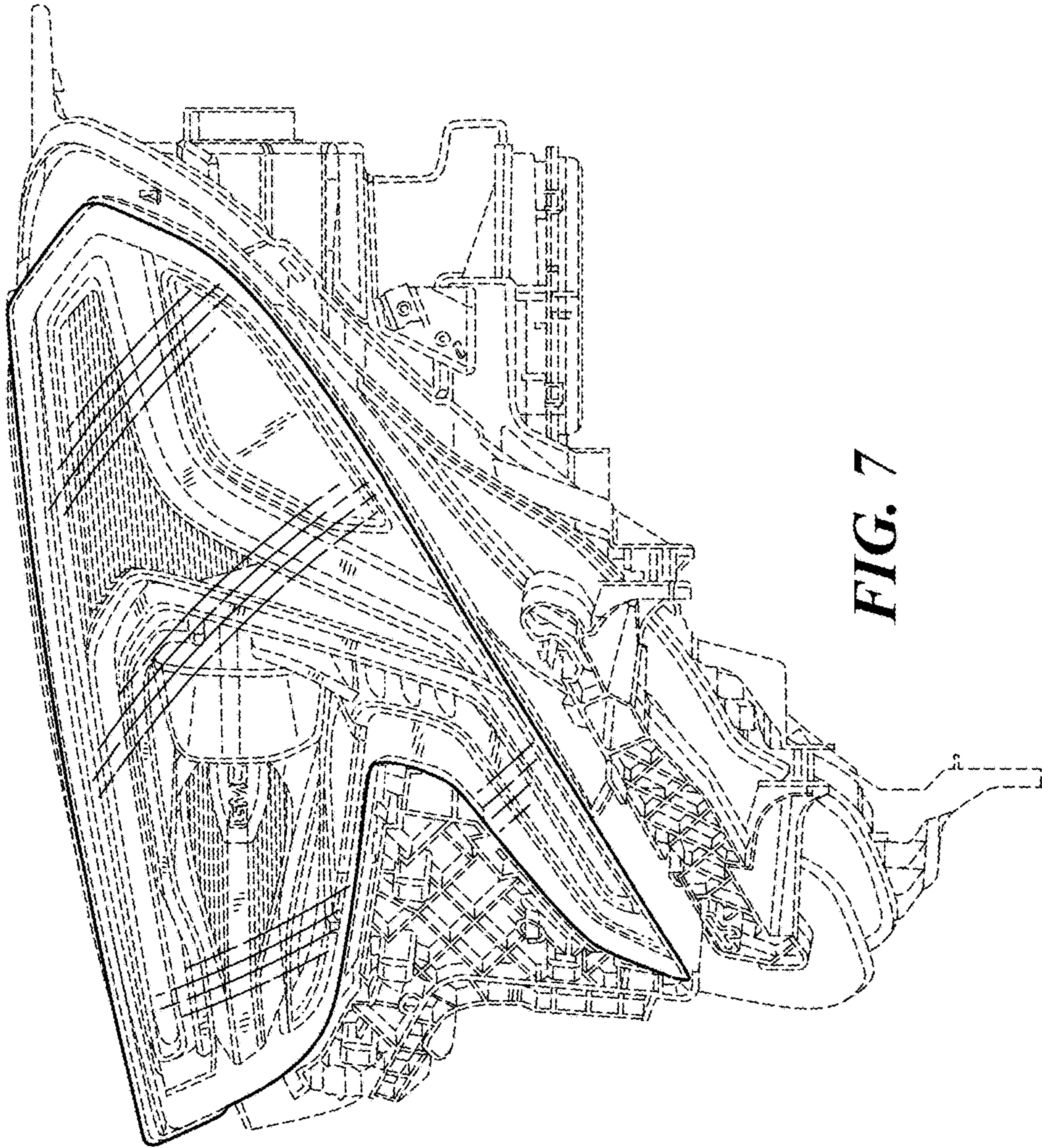
**FIG. 5**



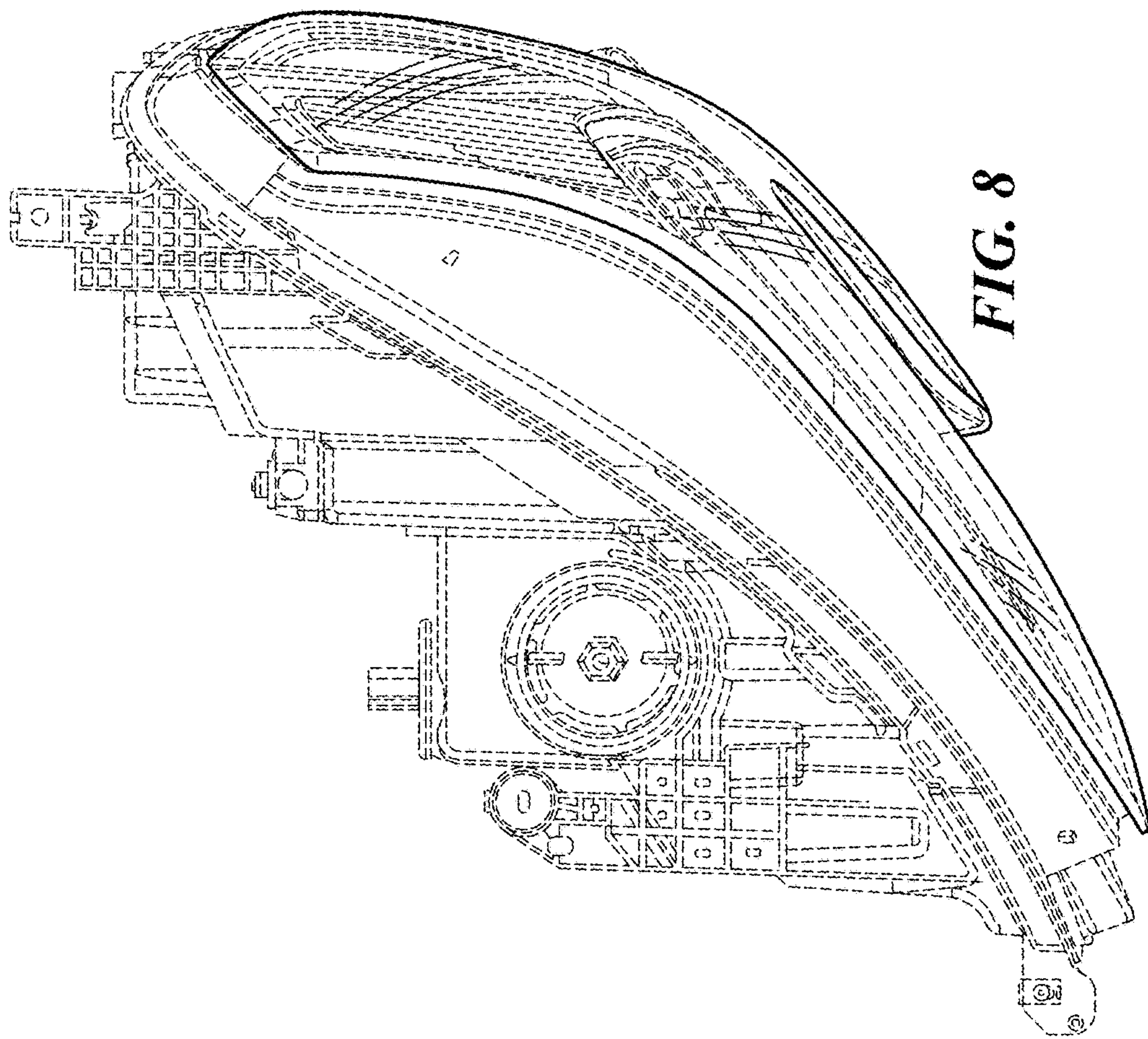


**FIG. 6**





**FIG. 7**



**FIG. 8**