



US00D830585S

(12) **United States Design Patent**
Grandadam

(10) **Patent No.:** **US D830,585 S**

(45) **Date of Patent:** **** Oct. 9, 2018**

(54) **PORTABLE LIGHT BULB SYSTEM**

Primary Examiner — Marcus A Jackson

(71) Applicant: **Promier Products, Inc.**, Peru, IL (US)

(74) *Attorney, Agent, or Firm* — Barnes and Thornburg LLP

(72) Inventor: **Cody Duane Grandadam**, Peru, IL (US)

(57) **CLAIM**

(73) Assignee: **Promier Products, Inc.**, Peru, IL (US)

I claim the ornamental design for a portable light bulb system, as shown and described.

(**) Term: **15 Years**

(21) Appl. No.: **29/584,343**

DESCRIPTION

(22) Filed: **Nov. 14, 2016**

(51) **LOC (11) Cl.** **26-04**

(52) **U.S. Cl.**
USPC **D26/2**

(58) **Field of Classification Search**
USPC D26/1-4
CPC H01R 5/00; H01R 13/46; H01R 31/048;
H01R 31/02; H01J 5/00; H01J 5/16;
H01J 15/00; H01J 5/48; H01J 5/50; H01J
19/54;

(Continued)

(56) **References Cited**

U.S. PATENT DOCUMENTS

5,382,181 A 1/1995 Ortiz
5,596,247 A 1/1997 Martich et al.
D531,741 S * 11/2006 Takahashi D26/2

(Continued)

FOREIGN PATENT DOCUMENTS

CN 201884957 6/2011
CN 202118534 1/2012

(Continued)

OTHER PUBLICATIONS

<https://www.aliexpress.com/item/7W-led-emergency-light-charge-led-Batteries-Bulb-lighting-E27-Lamp-for-home-indoor-lighting-2835smd/1747358227.html?spm=2114.40010208.49.U1rAaa>, at least as early as Mar. 30, 2016.

(Continued)

FIG. 1 is a top perspective view of a portable light bulb system according to a new design.

FIG. 2 is a rear view of the portable light bulb system shown in FIG. 1.

FIG. 3 is a left side view of the portable light bulb system shown in FIG. 1.

FIG. 4 is a front view of the portable light bulb system shown in FIG. 1.

FIG. 5 is a right side view of the portable light bulb system shown in FIG. 1.

FIG. 6 is a top view of the portable light bulb system shown in FIG. 1.

FIG. 7 is a bottom view of the portable light bulb system shown in FIG. 1.

FIG. 8 is a top perspective view of a second embodiment of a portable light bulb system according to a new design.

FIG. 9 is a rear view of the portable light bulb system shown in FIG. 8.

FIG. 10 is a left side view of the portable light bulb system shown in FIG. 8.

FIG. 11 is a front view of the portable light bulb system shown in FIG. 8.

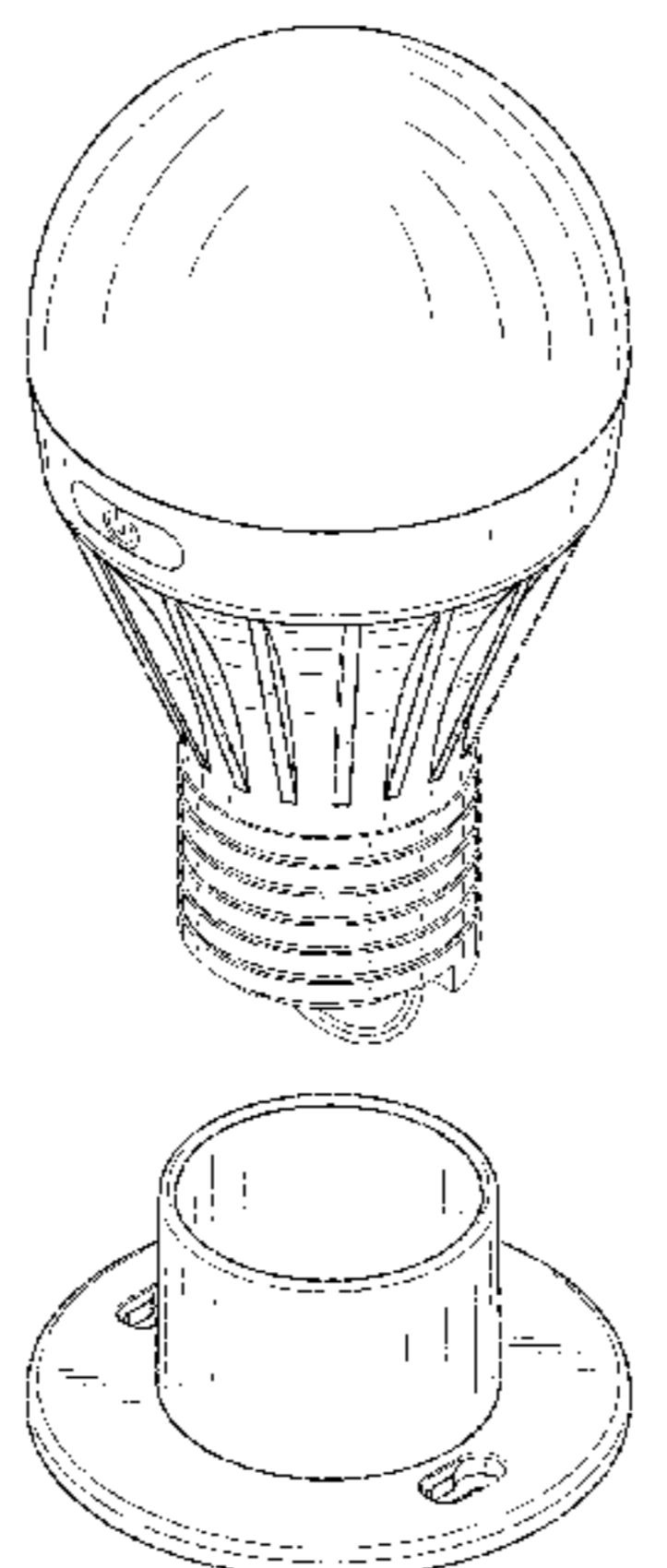
FIG. 12 is a right side view of the portable light bulb system shown in FIG. 8.

FIG. 13 is a top view of the portable light bulb system shown in FIG. 8; and,

FIG. 14 is a bottom view of the portable light bulb system shown in FIG. 8.

Features shown in broken lines in the drawings are not part of the claim.

1 Claim, 12 Drawing Sheets



- (58) **Field of Classification Search**
 CPC F21V 5/00; F21K 9/20; F21K 9/27; F21K
 9/272
 See application file for complete search history.

2016/0223175 A1 8/2016 Yang
 2016/0270148 A1 9/2016 Filipovic et al.
 2017/0241596 A1 8/2017 Chien
 2018/0084622 A1 3/2018 Chen

(56) **References Cited**

U.S. PATENT DOCUMENTS

D548,369 S * 8/2007 Bembridge D26/2
 D549,360 S * 8/2007 An D26/2
 D553,267 S * 10/2007 Yuen D26/2
 D602,614 S * 10/2009 Takahashi D26/2
 D629,535 S * 12/2010 Lee D26/2
 8,084,963 B2 12/2011 Chandler et al.
 8,328,582 B1 12/2012 Carley et al.
 D691,292 S * 10/2013 Qiu D26/2
 8,669,716 B2 3/2014 Recker et al.
 9,055,642 B2 6/2015 Maa et al.
 9,081,269 B2 7/2015 Conti
 9,541,262 B2 1/2017 Kohn et al.
 9,657,928 B1 5/2017 Jacobson
 9,909,720 B1 3/2018 Turudic
 9,918,371 B2 3/2018 Jacobson
 9,920,888 B1 3/2018 Springer
 2007/0291477 A1 12/2007 Khubani
 2008/0273348 A1 11/2008 Klohn et al.
 2010/0110670 A1 5/2010 Werth et al.
 2010/0134047 A1 6/2010 Hasnain
 2012/0057334 A1 3/2012 Robinson
 2012/0182726 A1 7/2012 King
 2013/0308306 A1 11/2013 Hootman et al.
 2014/0070703 A1 3/2014 Chen et al.
 2014/0265836 A1 9/2014 Nourbakhsh et al.
 2014/0268841 A1 9/2014 Stockman
 2016/0073479 A1 3/2016 Erchak et al.

FOREIGN PATENT DOCUMENTS

CN 202118845 1/2012
 CN 103000036 3/2013
 CN 203090292 7/2013
 CN 103672480 3/2014
 CN 204345498 5/2015
 CN 204437844 7/2015
 WO WO2007/128126 11/2007
 WO 2011/094444 8/2011

OTHER PUBLICATIONS

<https://www.yellowoctopus.com.au/led-light-bulb-lantern-kikkerland>, at least as early as Mar. 31, 2016.
<http://www.brightguy.com/Nightstick/Nightstick+Dual+Light+with+Magnet>, at least as early as Mar. 31, 2016.
http://www.ebay.com/itm/Battery-Powered-LED-Dome-Light-Magnetic-or-Fixed-Bright-120-Lumen-Cool-White-/322209833015?_trksid=p2385738.m2548.14275, at least as early as Mar. 30, 2016.
 International Search Report and Written Opinion issued on Feb. 14, 2018 in corresponding PCT Application No. PCT/US17/61594 (9 pages).
 Mobile Led Light Bulb, commercially available by Mar. 27, 2016 from www.mileskimball.combuy-mobile-led-light-bulb-353158referrer=apiv1sli (3 pages).
 "Light Bulb" Vintage, pictures taken on Jun. 9, 2016 by PAT Europe BV (3 pages).

* cited by examiner

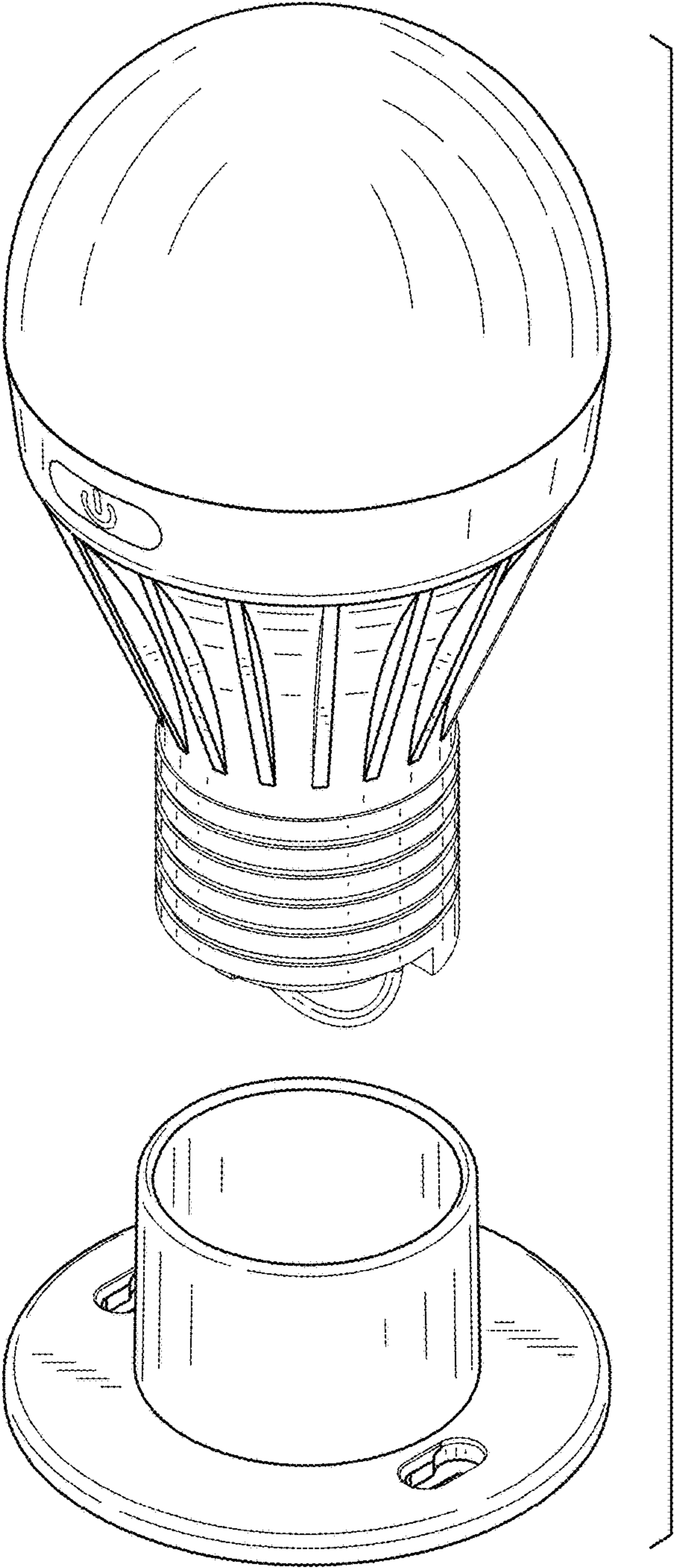


FIG. 1

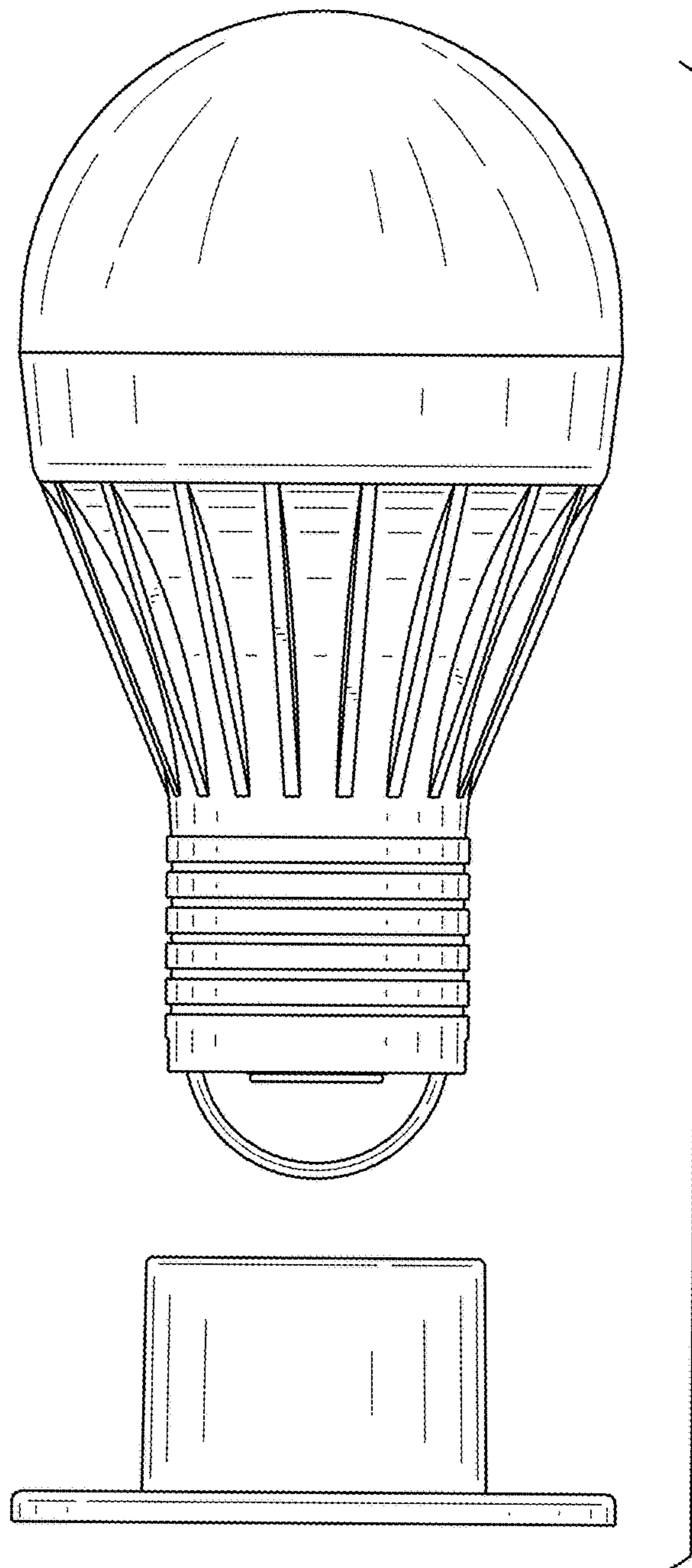


FIG. 2

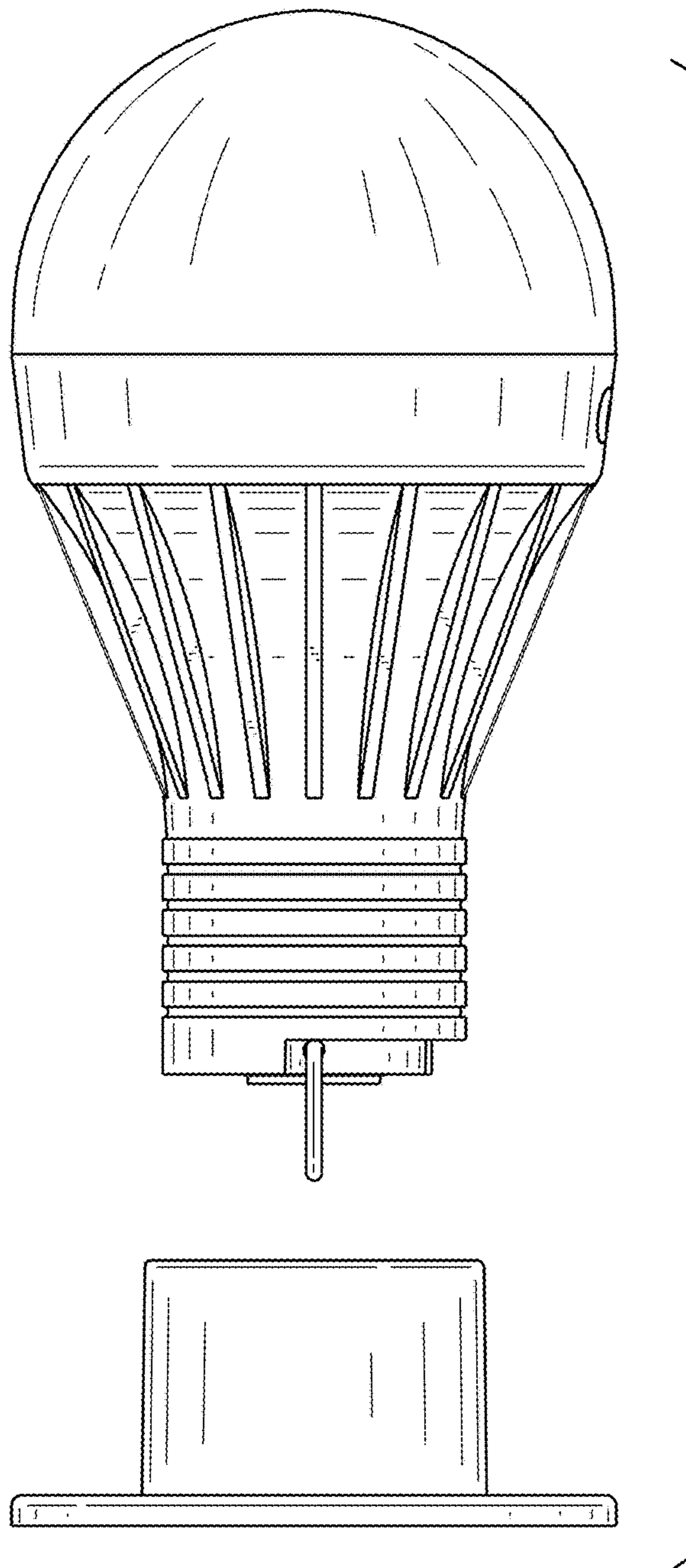


FIG. 3

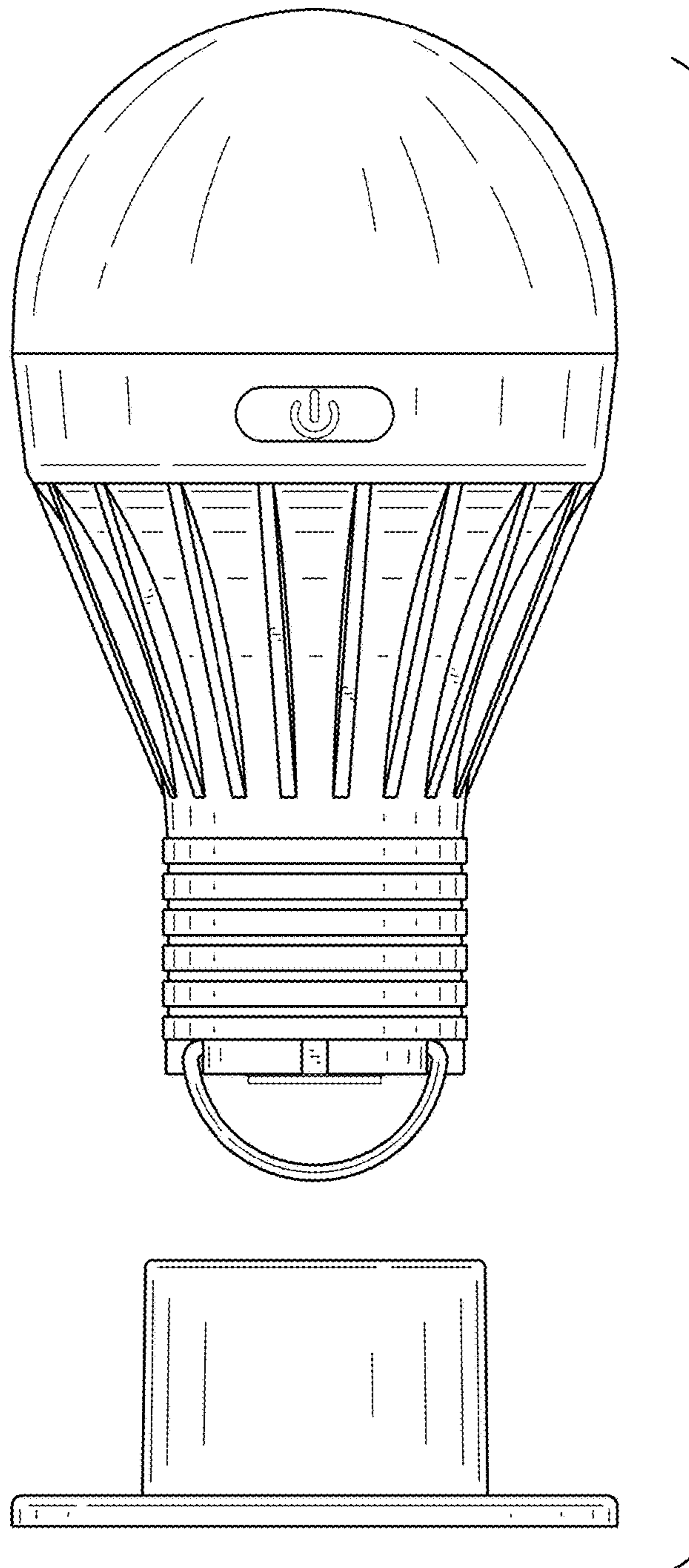


FIG. 4

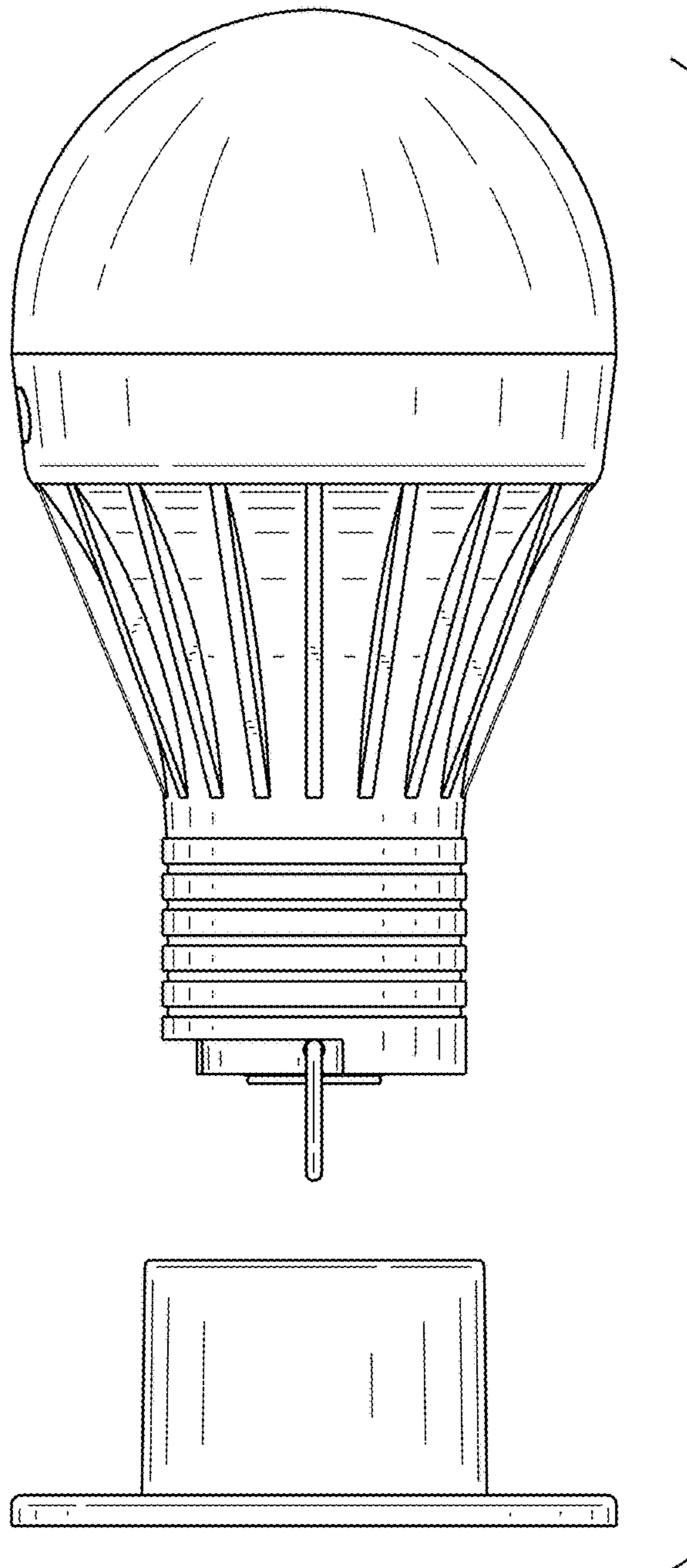


FIG. 5

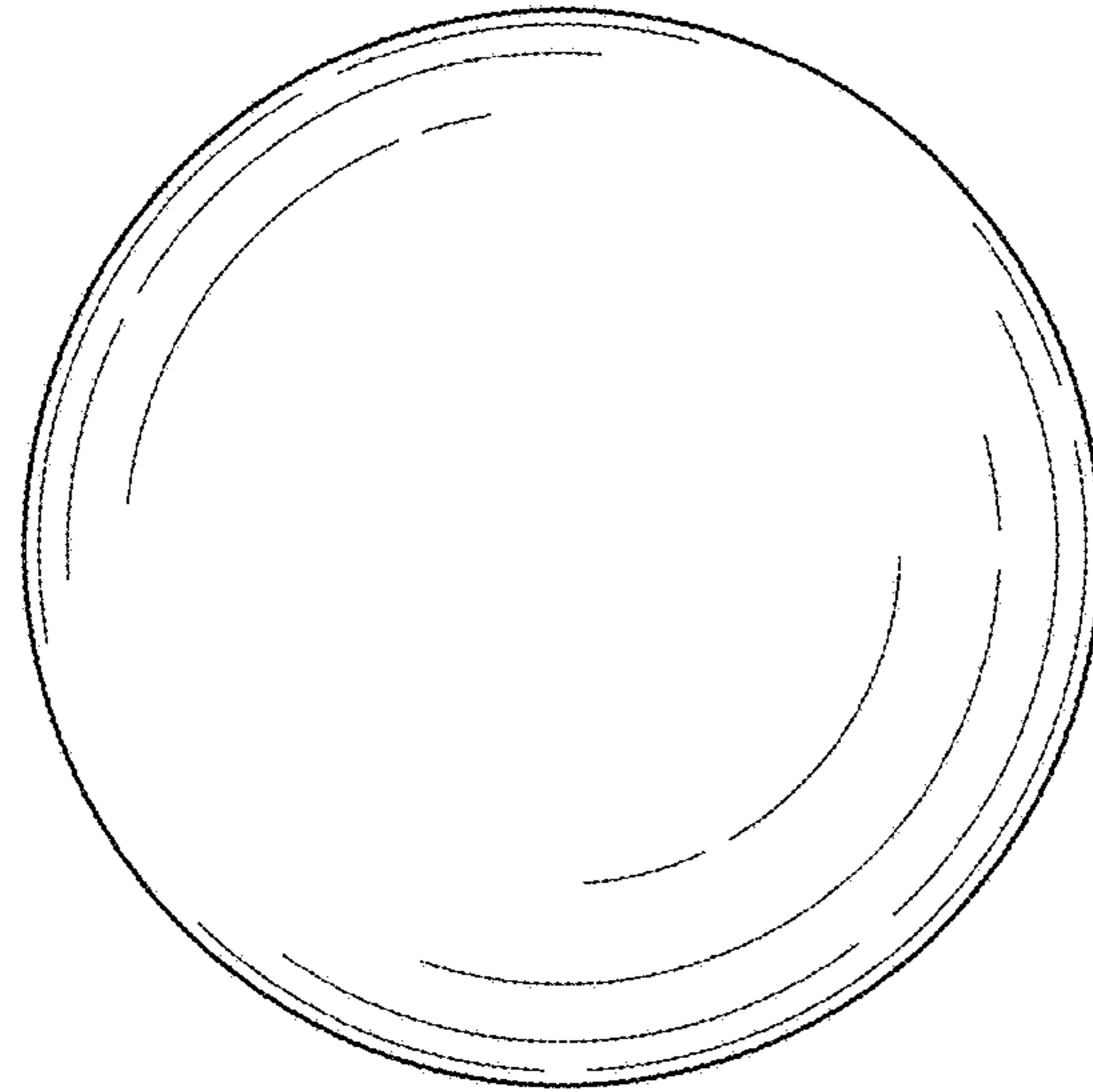


FIG. 6

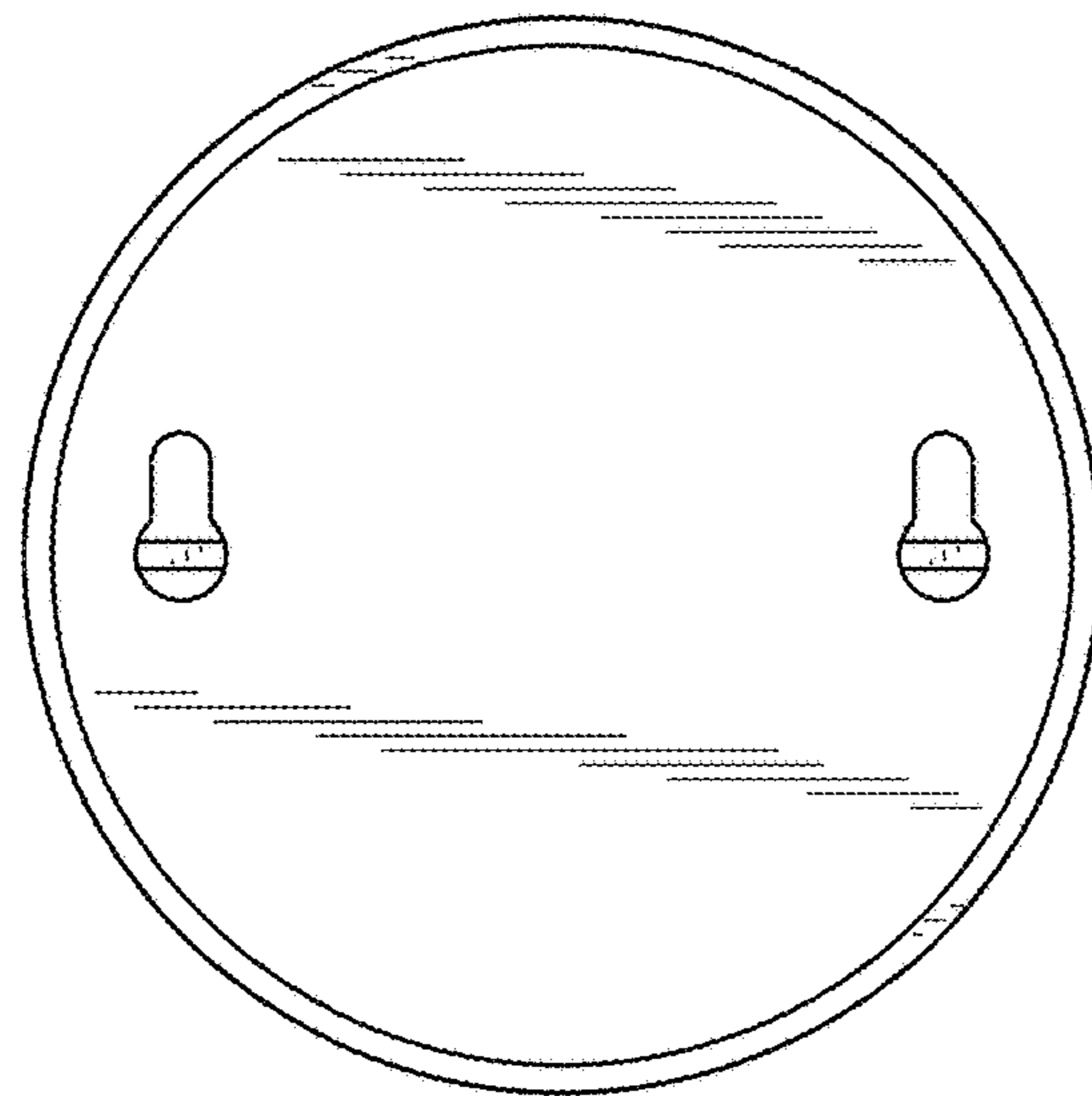


FIG. 7

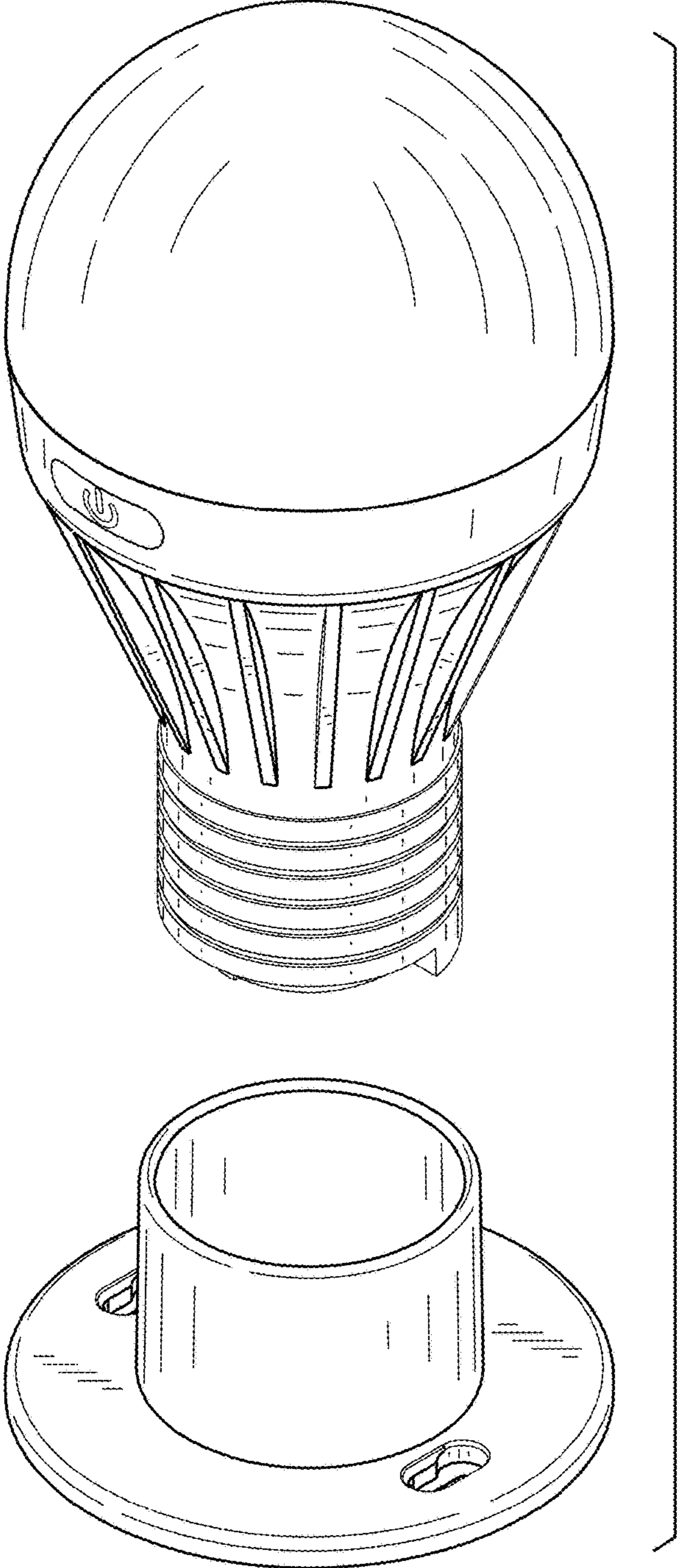


FIG. 8

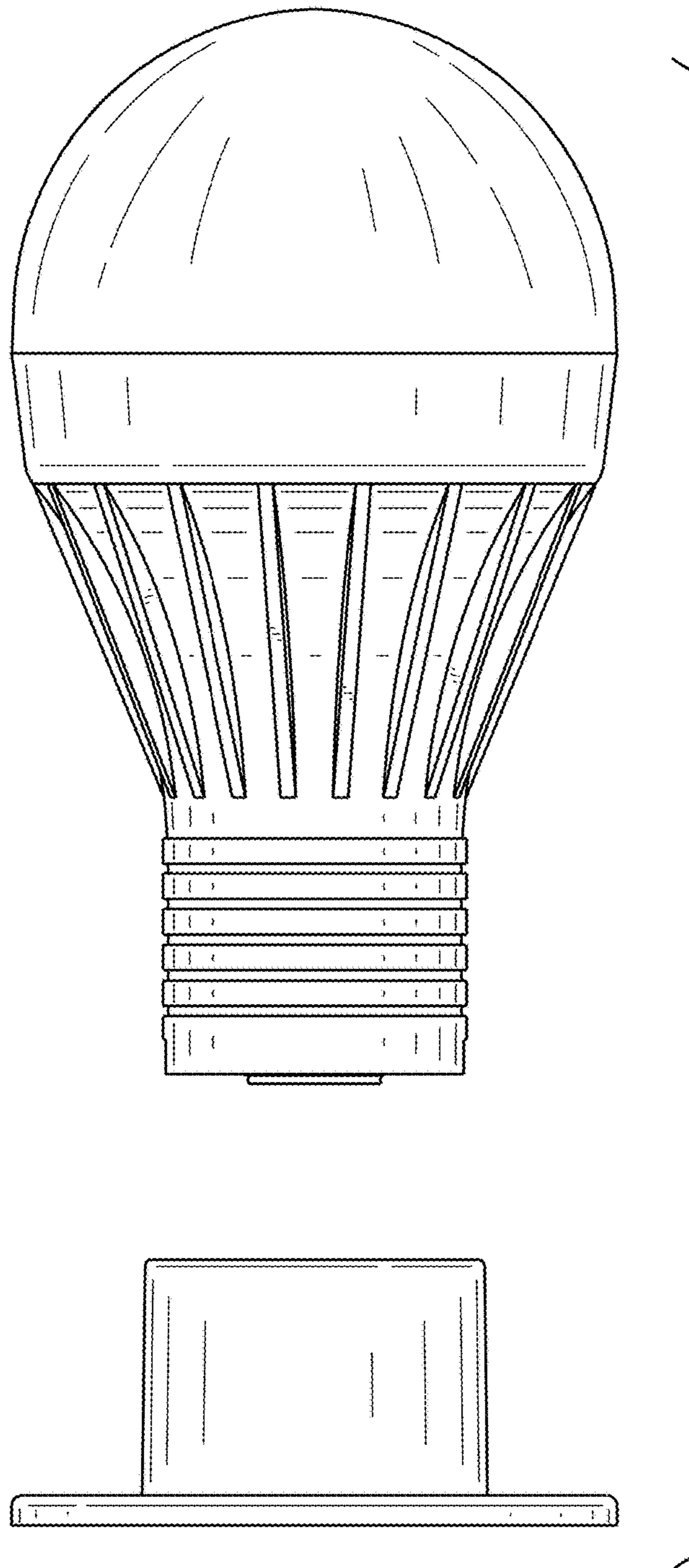


FIG. 9

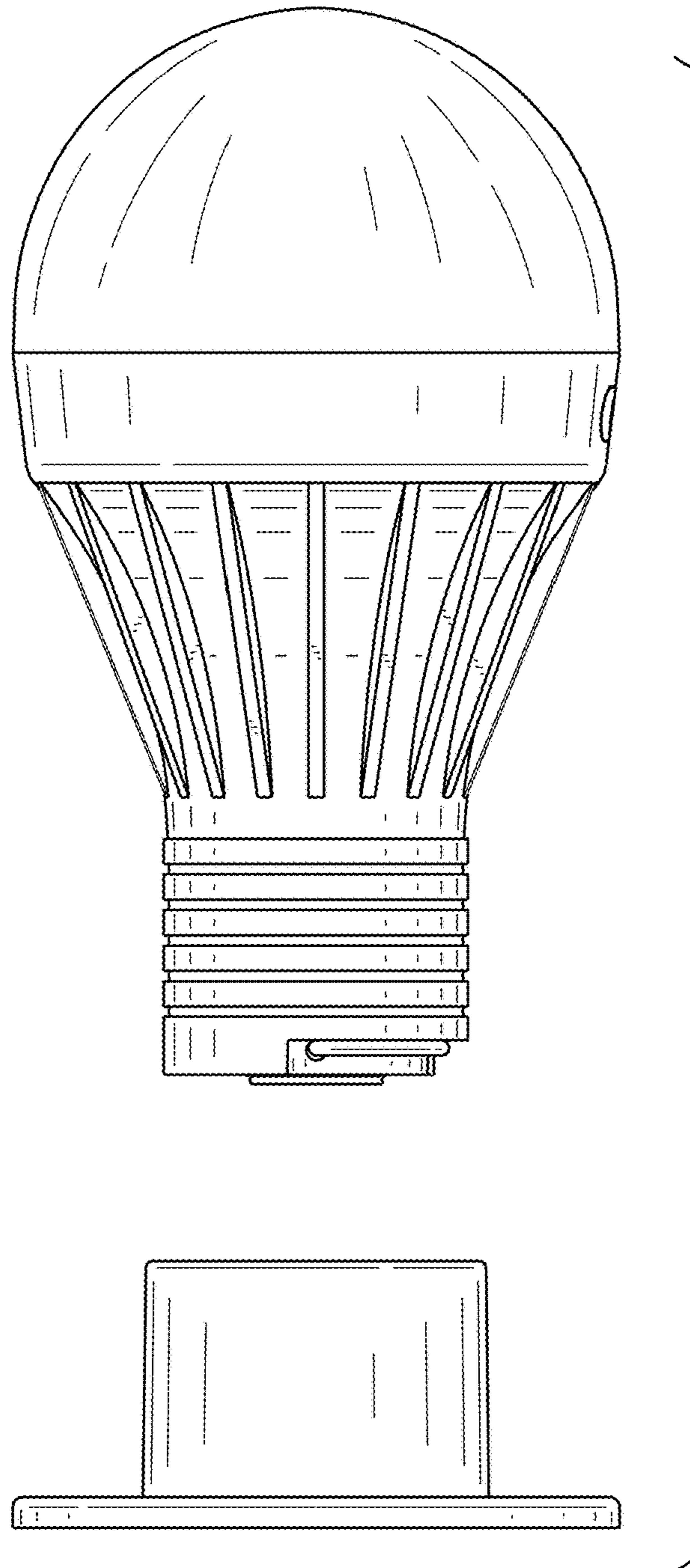


FIG. 10

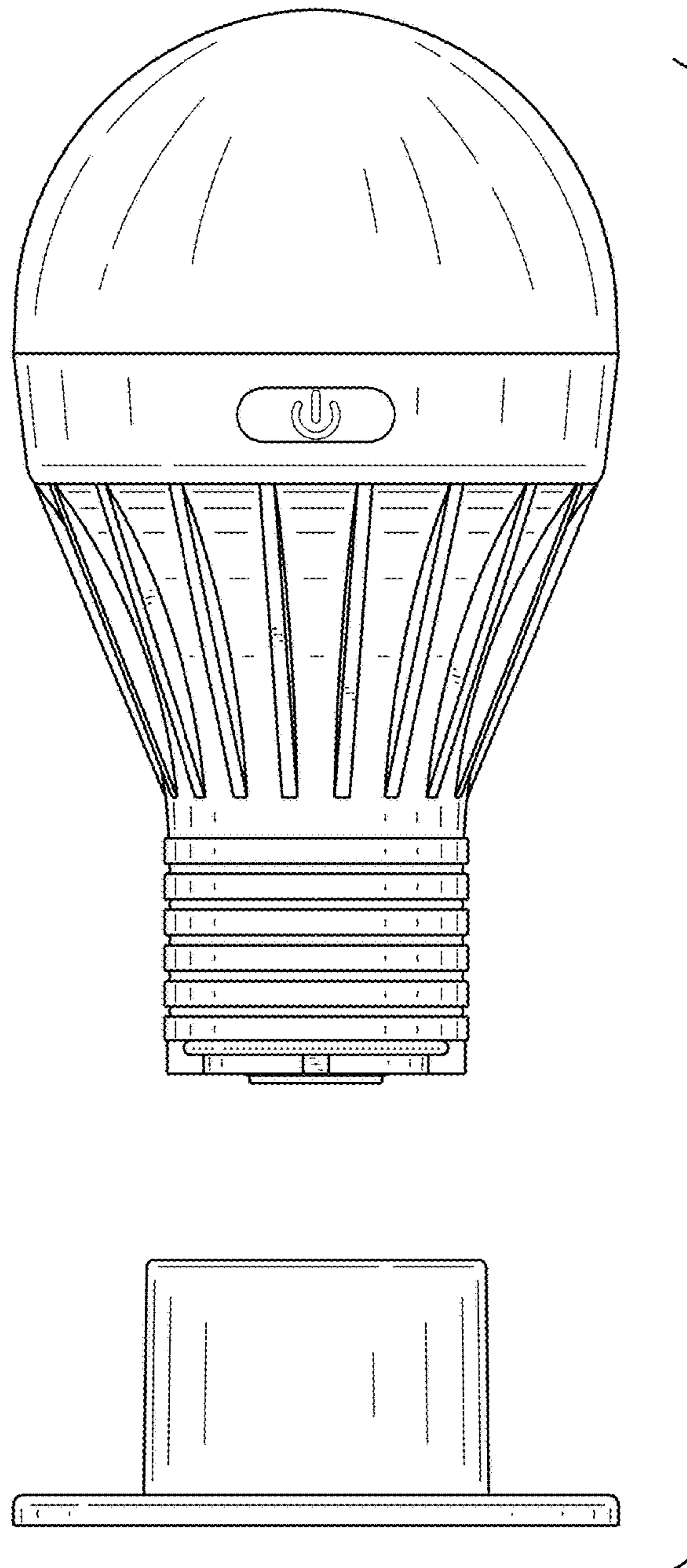


FIG. 11

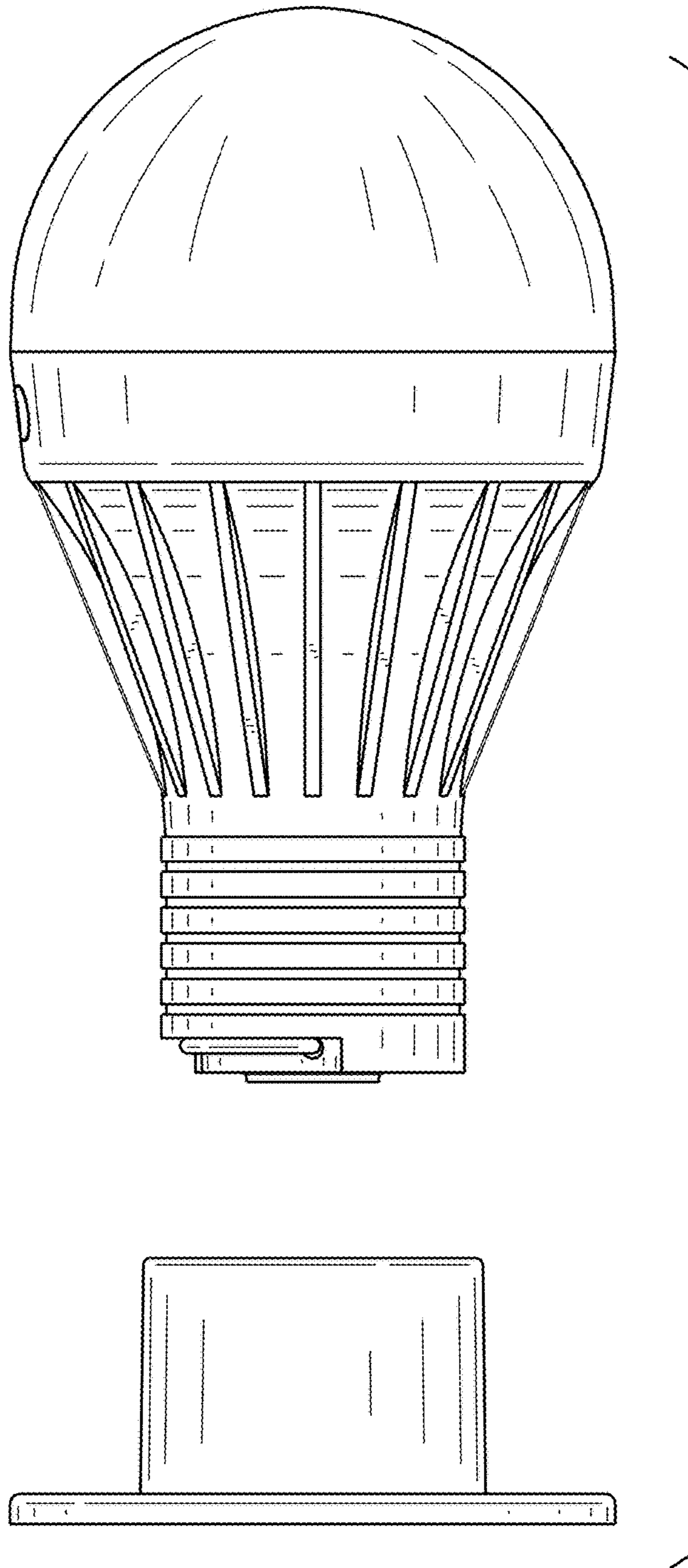


FIG. 12

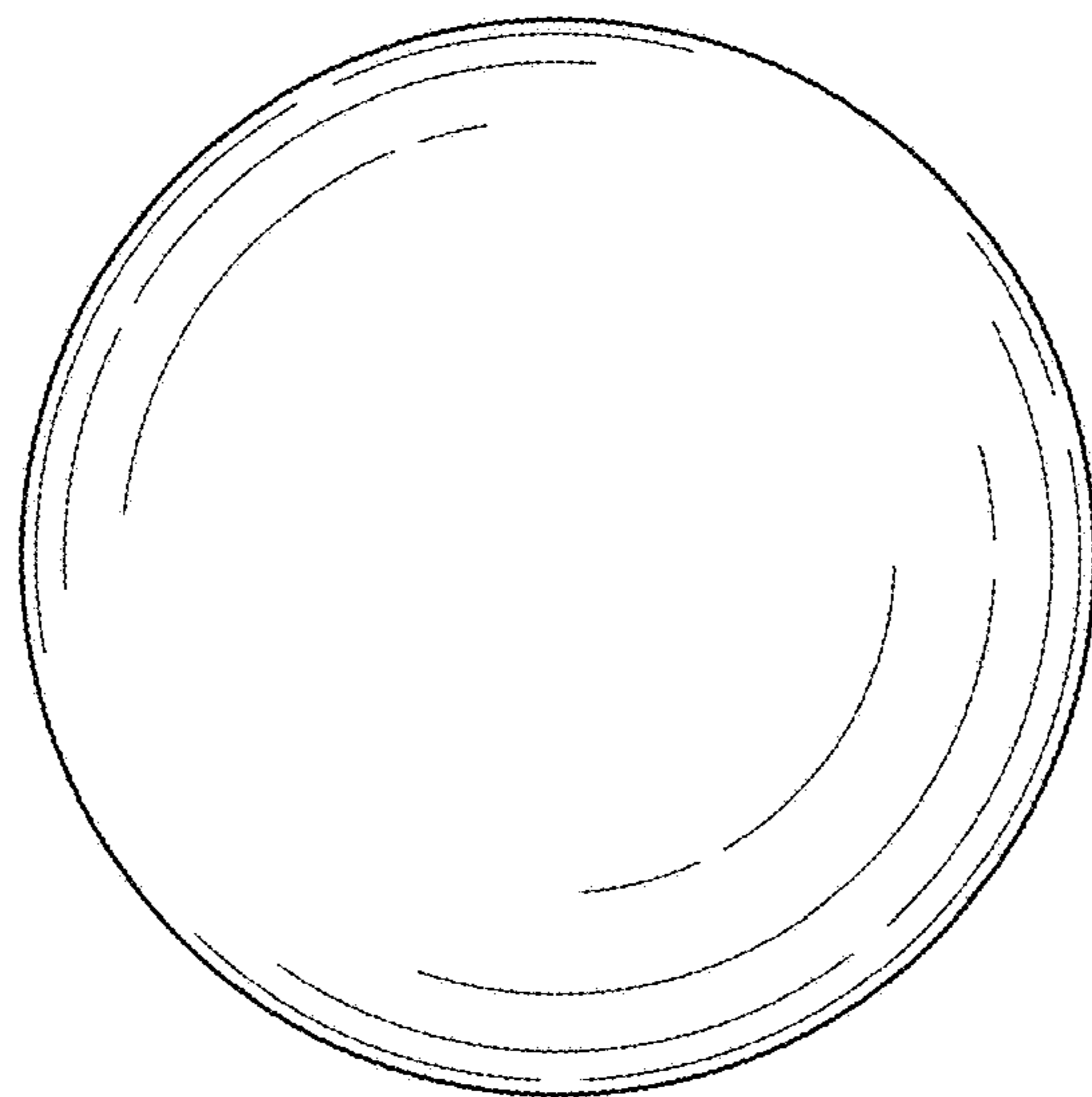


FIG. 13

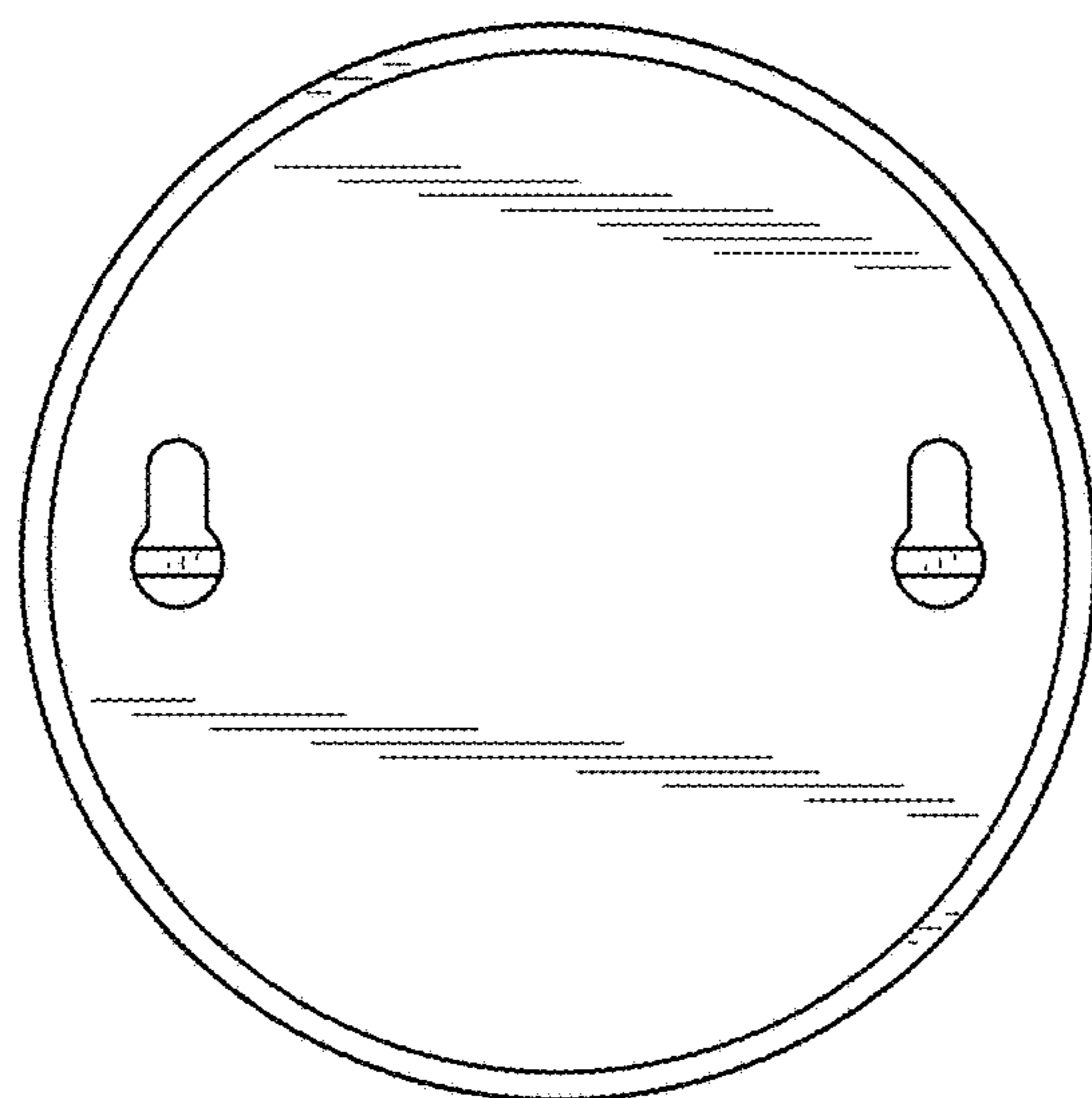


FIG. 14