



US00D830577S

(12) **United States Design Patent** (10) **Patent No.:** **US D830,577 S**
Umlor (45) **Date of Patent:** **** Oct. 9, 2018**

- (54) **COMBINED LADDER AND RESTRAINING DEVICE**
 (71) Applicant: **Terrence L. Umlor**, Kingsley, MI (US)
 (72) Inventor: **Terrence L. Umlor**, Kingsley, MI (US)
 (**) Term: **15 Years**
 (21) Appl. No.: **29/633,147**
 (22) Filed: **Jan. 12, 2018**

- D425,211 S * 5/2000 Schigulski D25/68
 6,152,262 A 11/2000 Jung
 6,578,665 B1 6/2003 DeBaca et al.
 D498,631 S 11/2004 Anderson et al.
 6,962,237 B2 11/2005 Underhill
 7,137,482 B2 11/2006 Underhill et al.
 D533,745 S 12/2006 Rodrigue
 D613,423 S * 4/2010 Koch D25/68
 7,909,138 B2 3/2011 Svehlek
 8,099,910 B1 1/2012 Gaines
 D683,054 S 5/2013 Deardorf
 8,439,163 B2 5/2013 Inman

(Continued)

Related U.S. Application Data

- (62) Division of application No. 29/584,028, filed on Nov. 10, 2016, now Pat. No. Des. 810,960.
 (51) **LOC (11) Cl.** **25-04**
 (52) **U.S. Cl.**
 USPC **D25/68**
 (58) **Field of Classification Search**
 USPC D25/62-69; 182/165, 107, 106, 129,
 182/112, 214, 229; 52/11, 37; D6/566,
 D6/553
 CPC E06C 7/482; E06C 7/48
 See application file for complete search history.

OTHER PUBLICATIONS

Ladderport, www.ladder-port.com, ladderdock, 2013 retailer choice best new product winner, dated Mar. 25, 2014, 8 pages.

Primary Examiner — Cynthia Ramirez

Assistant Examiner — Gino Colan

(74) *Attorney, Agent, or Firm* — Dinsmore & Shohl LLP

(57)

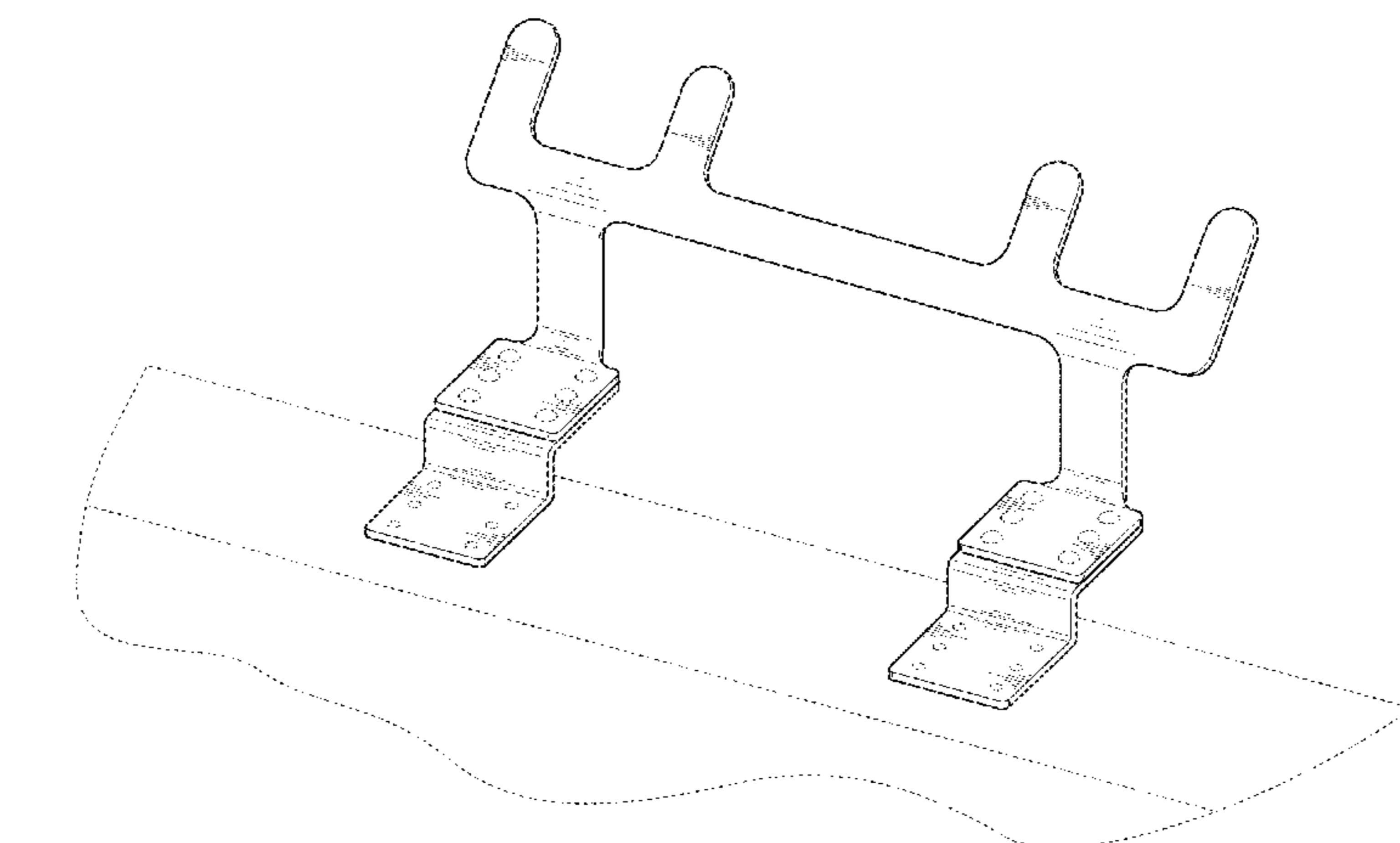
CLAIM

The ornamental design for a combined ladder and restraining device, as shown and described.

DESCRIPTION

FIG. 1 is a perspective view of a combined ladder and restraining device showing my new design; FIG. 2 is another perspective view thereof; FIG. 3 is a top plan view thereof; FIG. 4 is a bottom plan view thereof; FIG. 5 is a rear elevation view thereof; FIG. 6 is a right side elevation view thereof; FIG. 7 is a left side elevation view thereof; and, FIG. 8 is a front elevation view thereof. The broken lines shown in the drawings are included for the purpose of illustrating environmental structure and form no part of the claimed design.

1 Claim, 5 Drawing Sheets



(56) **References Cited**

U.S. PATENT DOCUMENTS

- 759,842 A 5/1904 Umlor et al.
 1,467,597 A * 9/1923 Wendel E06C 7/48
 182/107
 2,597,902 A * 5/1952 Roketa E06C 7/48
 182/214
 4,615,412 A * 10/1986 Clarke E06C 7/482
 182/107
 5,000,328 A 3/1991 Hein
 5,010,979 A 4/1991 Shreve, III
 5,113,973 A * 5/1992 Southern E06C 7/48
 182/107
 5,215,163 A 6/1993 Kent, Sr. et al.
 D417,996 S 12/1999 Mallen
 6,029,774 A 2/2000 Cothorn

(56)

References Cited

U.S. PATENT DOCUMENTS

D706,953	S	6/2014	Johnson	
8,776,948	B2	7/2014	Svehlek	
8,839,907	B2	9/2014	Davis, Jr.	
D715,964	S	10/2014	Von Hebestreit	
9,234,389	B2 *	1/2016	Umlor	E06C 1/04
D759,842	S	6/2016	Umlor et al.	
2003/0201139	A1	10/2003	Haig	
2009/0000868	A1	1/2009	Gaines	
2013/0055648	A1	3/2013	Snyder	
2013/0199874	A1	8/2013	Davis, Jr.	
2015/0204140	A1	7/2015	Umlor et al.	

* cited by examiner

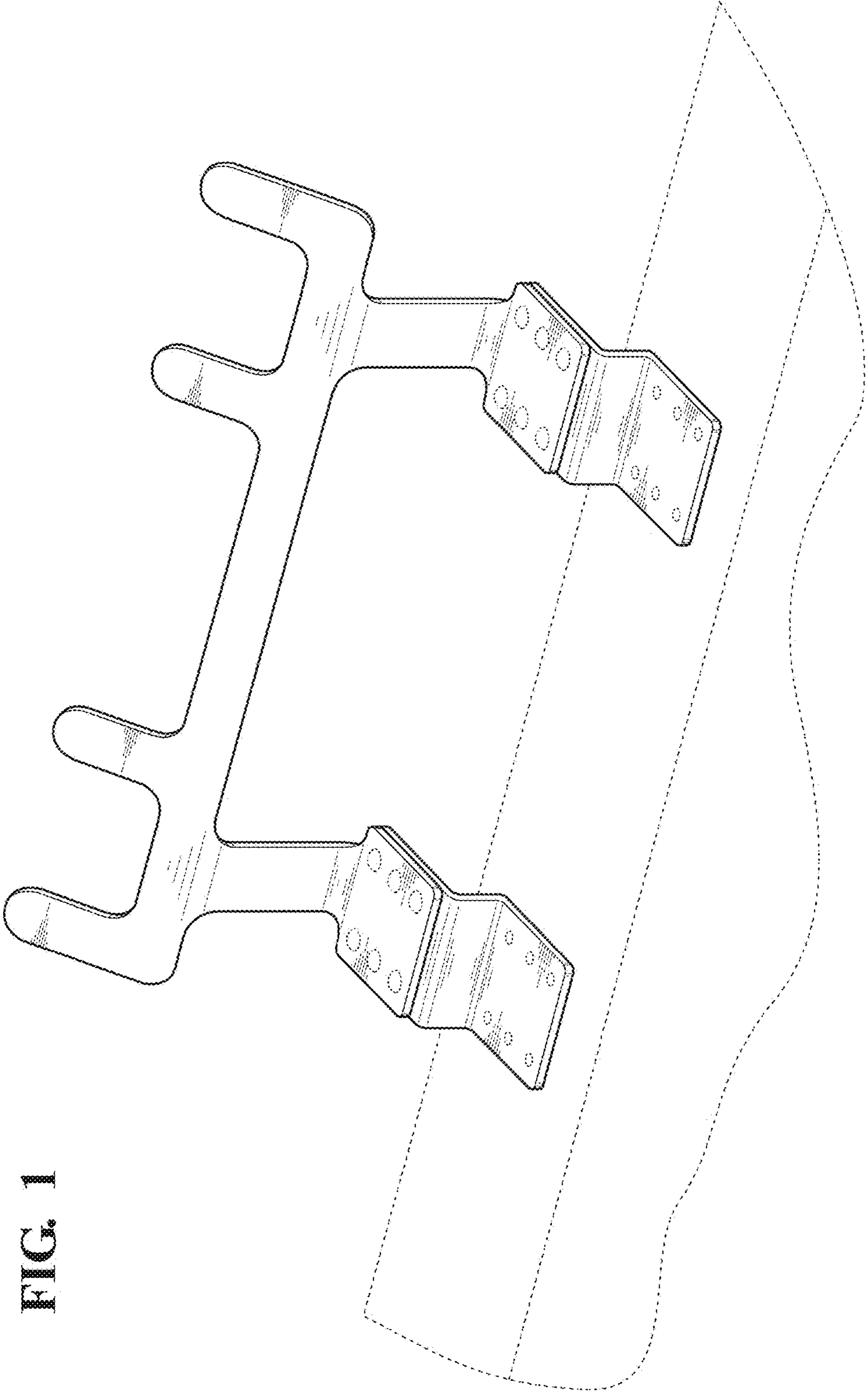


FIG. 1

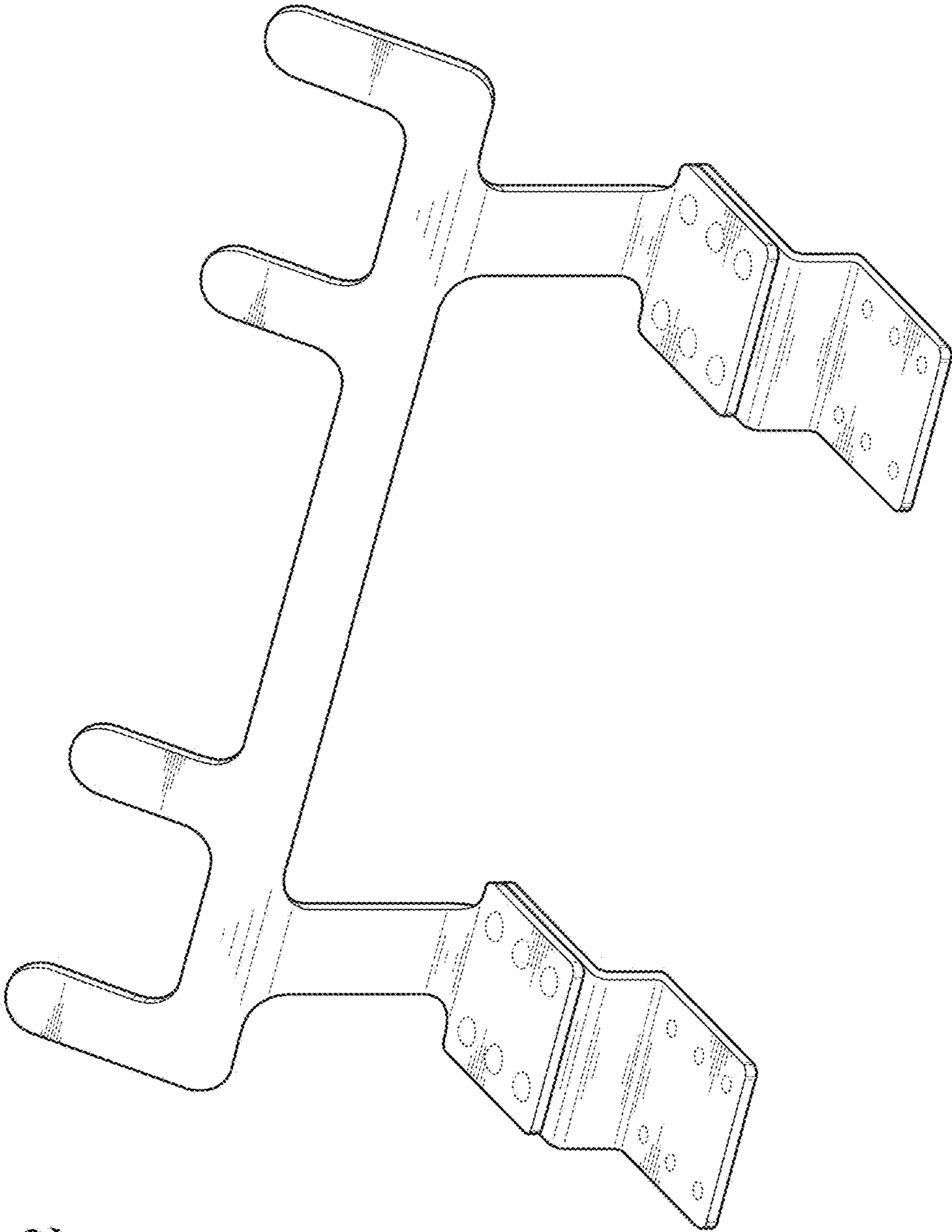


FIG. 2

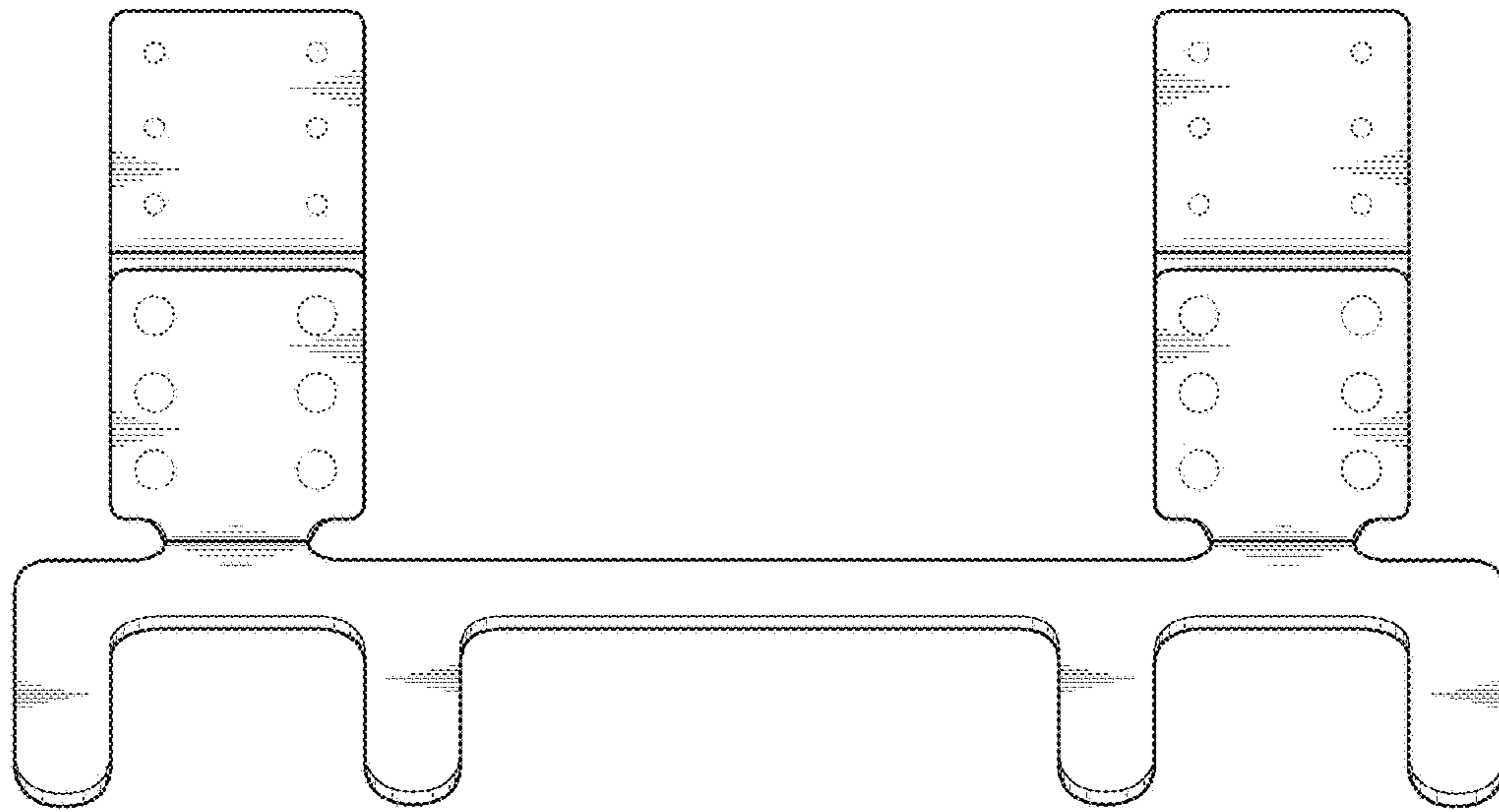


FIG. 3

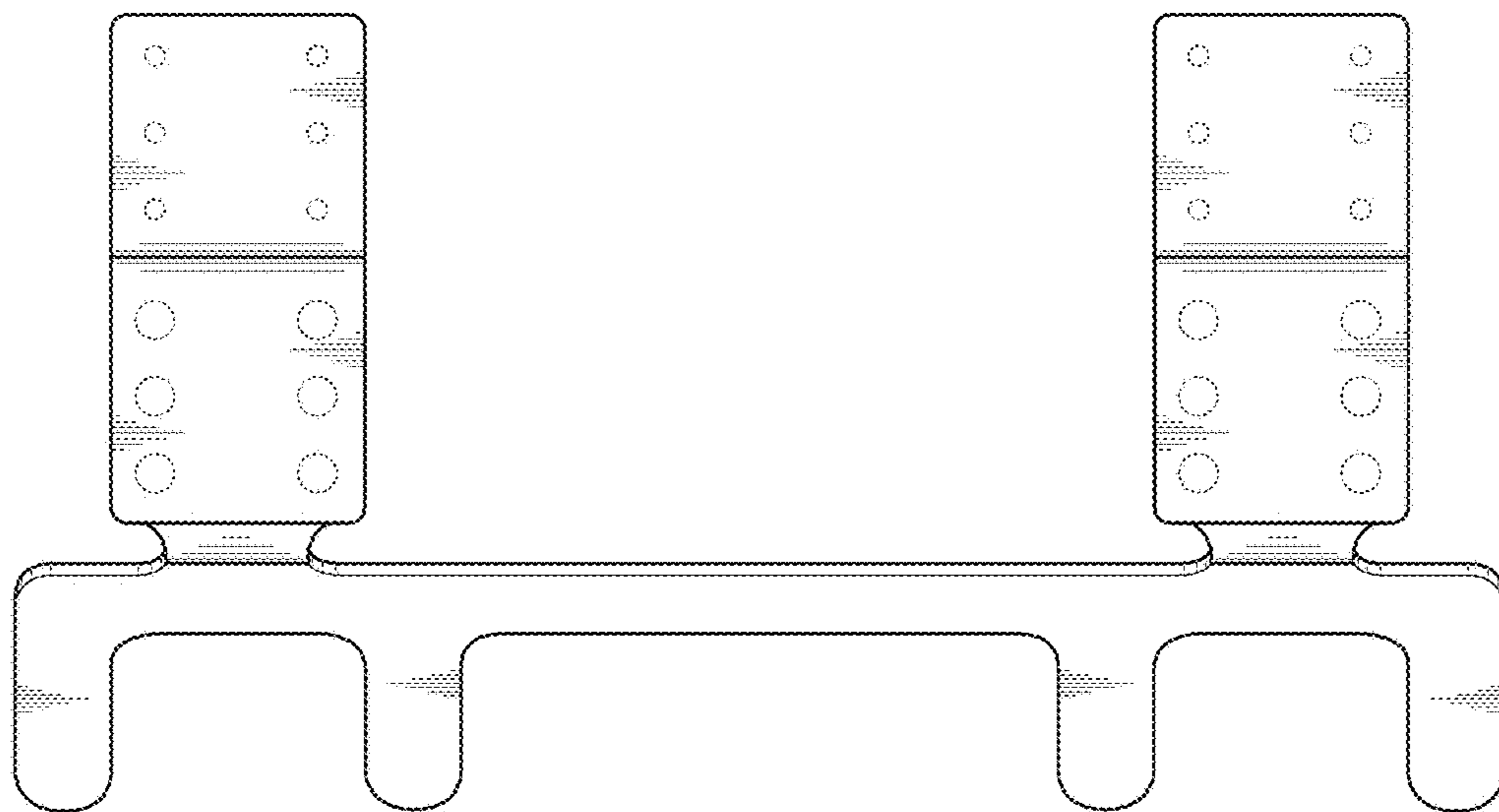


FIG. 4

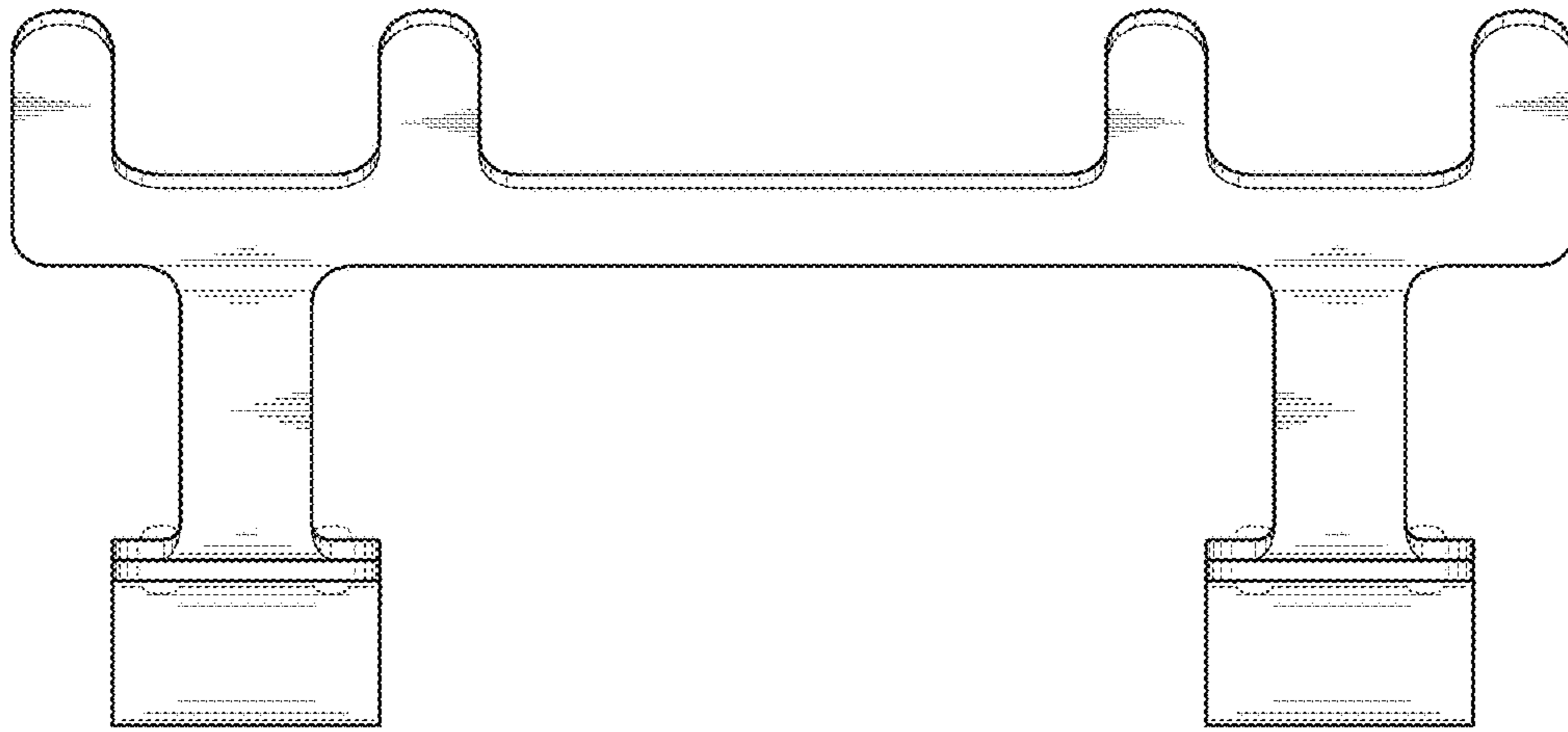


FIG. 5

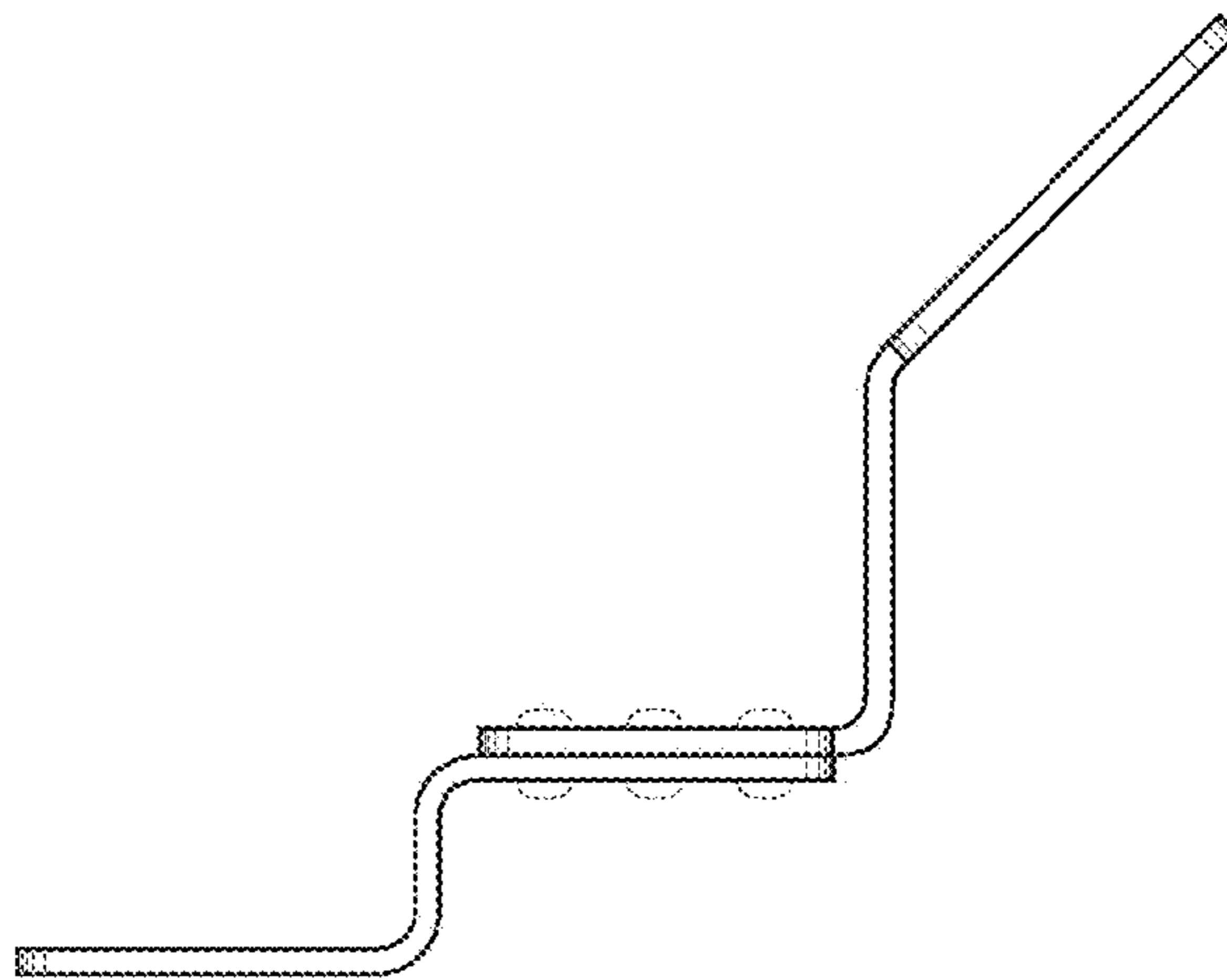


FIG. 6

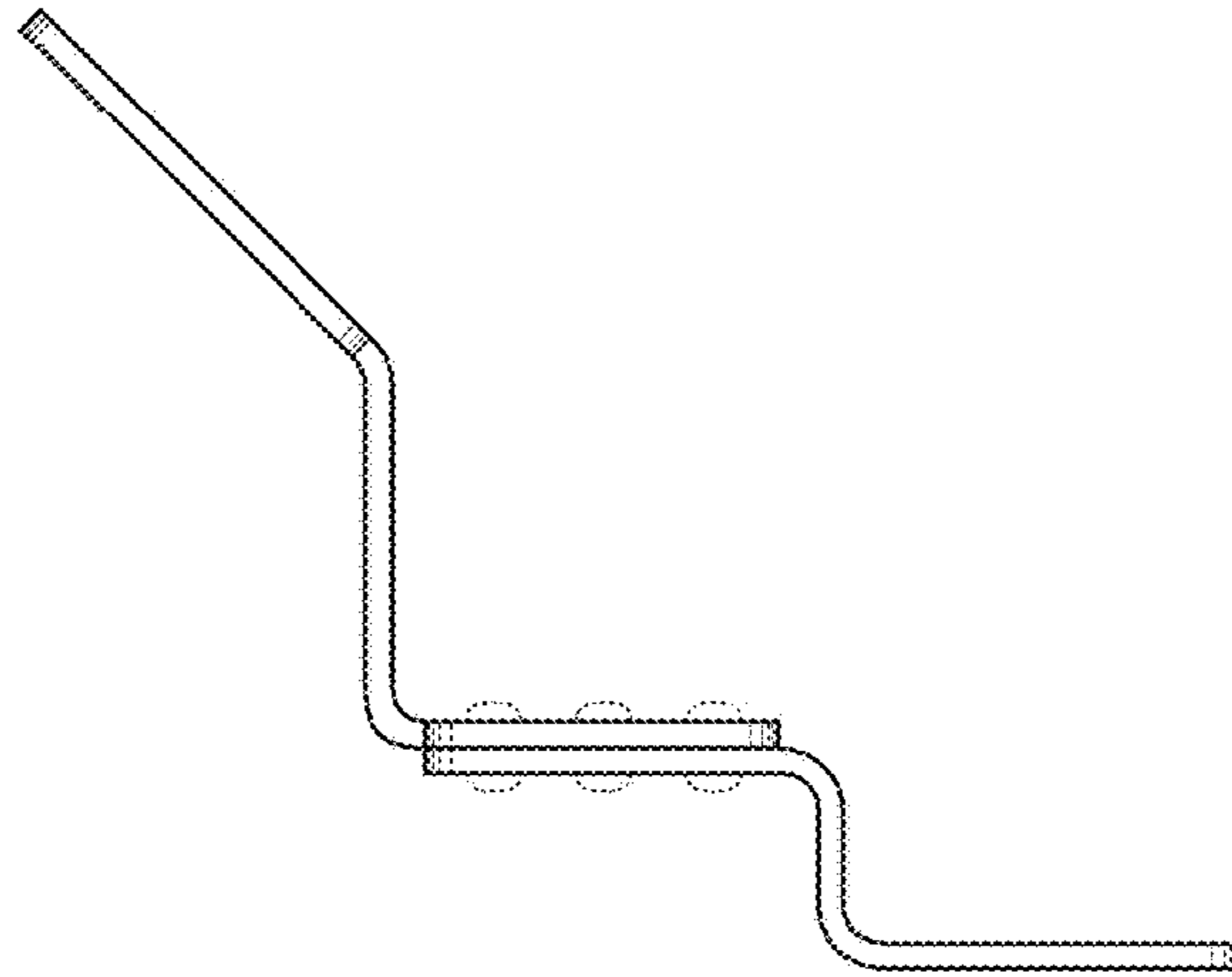


FIG. 7

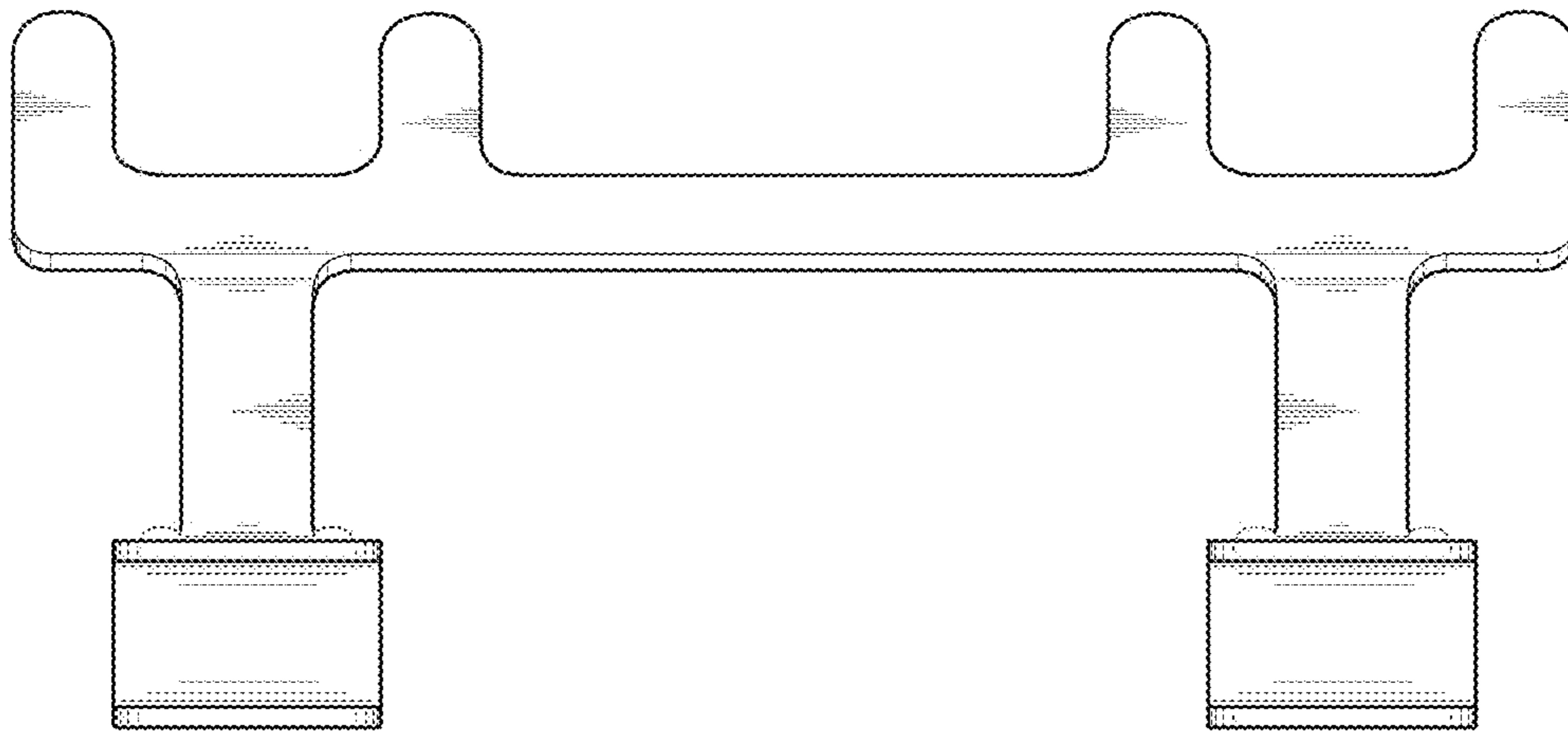


FIG. 8