

US00D830574S

(12) **United States Design Patent** (10) **Patent No.:** **US D830,574 S**  
**Alsdorf et al.** (45) **Date of Patent:** **\*\* Oct. 9, 2018**

(54) **DOOR FACING PROFILE**  
(71) Applicant: **Masonite Corporation**, Tampa, FL (US)  
(72) Inventors: **Shaun Alsdorf**, Jackson, MO (US); **Timothy D. Gouge**, Elgin, IL (US); **Robert C. Allen**, Elburn, IL (US)  
(73) Assignee: **Masonite Corporation**, Tampa, FL (US)

(\*\*) Term: **15 Years**

(21) Appl. No.: **29/532,487**

(22) Filed: **Jul. 7, 2015**

**Related U.S. Application Data**

(63) Continuation of application No. 29/479,210, filed on Jan. 13, 2014, now Pat. No. Des. 733,929.

(51) **LOC (11) Cl.** ..... **25-01**

(52) **U.S. Cl.**  
USPC ..... **D25/48.3**

(58) **Field of Classification Search**  
USPC ..... D25/300, 48.3, 60; 52/455, 309.9, 313; 256/73; 428/106; D6/703, 703.2, 705, D6/657, 671, 702  
CPC ..... E06B 3/7001; E06B 2003/7019; E06B 3/7017; E06B 3/74; E06B 2003/7049; E06B 3/78; E06B 2003/7096; E06B 3/72; E06B 3/76; E06B 3/822; E06B 2003/7023; E06B 2003/7051; E06B 5/12; Y10T 156/1002; Y10T 428/42066  
See application file for complete search history.

(56) **References Cited**

**U.S. PATENT DOCUMENTS**

5,095,675 A \* 3/1992 Audia ..... B27M 3/0093 52/309.9  
6,479,128 B1 \* 11/2002 Schafernak ..... B27N 3/00 144/358

D501,565 S \* 2/2005 Malicki ..... D25/138  
D509,303 S \* 9/2005 Walsh ..... D25/138  
D529,190 S \* 9/2006 Walsh ..... D25/138  
D566,296 S \* 4/2008 Walsh ..... D25/138  
D576,740 S \* 9/2008 Steiber ..... D25/48.3  
D585,144 S \* 1/2009 Steiber ..... D25/48.3  
D587,816 S \* 3/2009 Steiber ..... D25/48.3  
D588,709 S \* 3/2009 Walsh ..... D25/138  
D662,732 S \* 7/2012 Siekmann ..... D6/703.2  
2002/0086107 A1 \* 7/2002 Paxton ..... B27N 3/08 427/254

(Continued)

*Primary Examiner* — Thomas Johannes

*Assistant Examiner* — Keith Frank

(74) *Attorney, Agent, or Firm* — Berenato & White, LLC

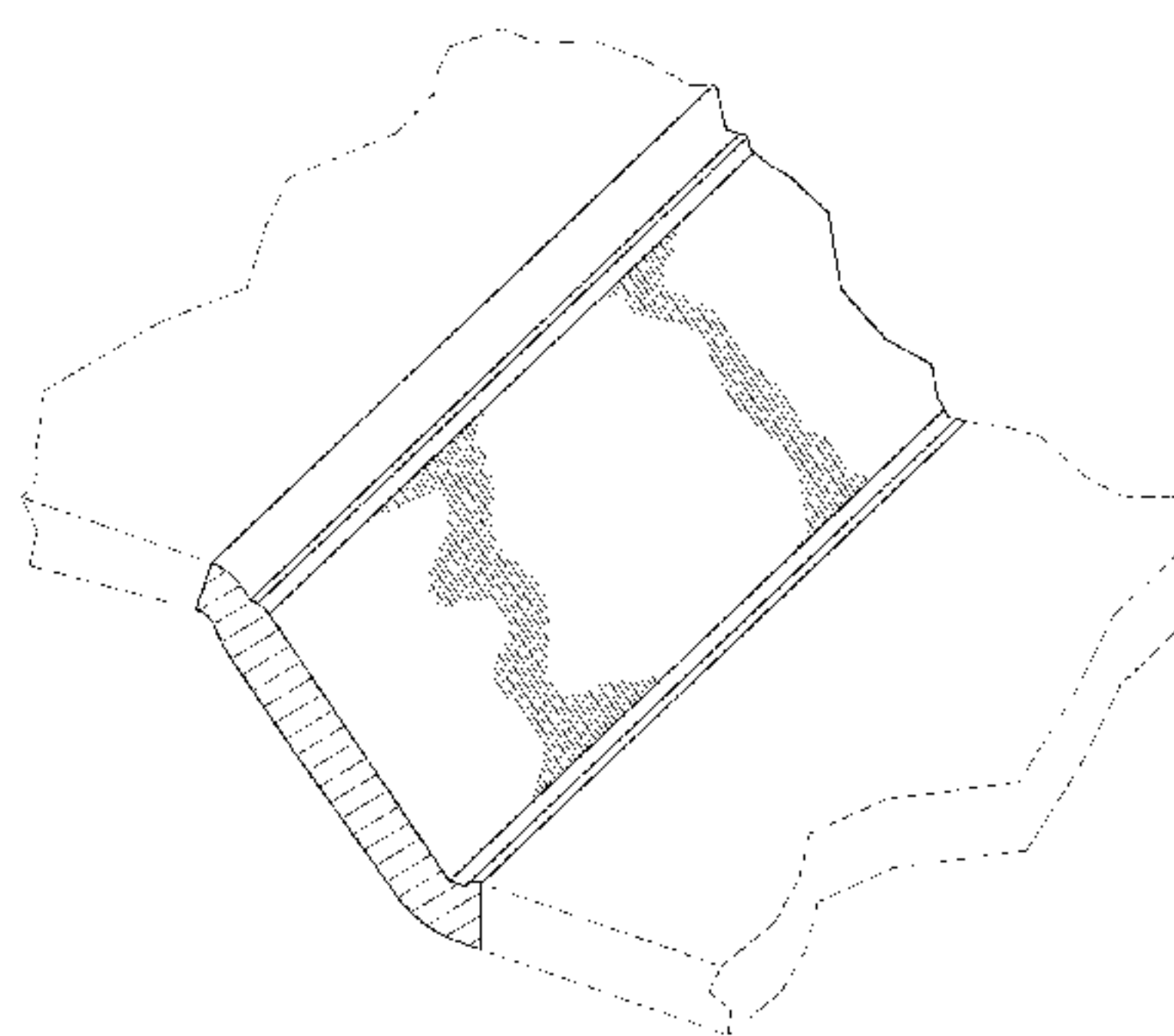
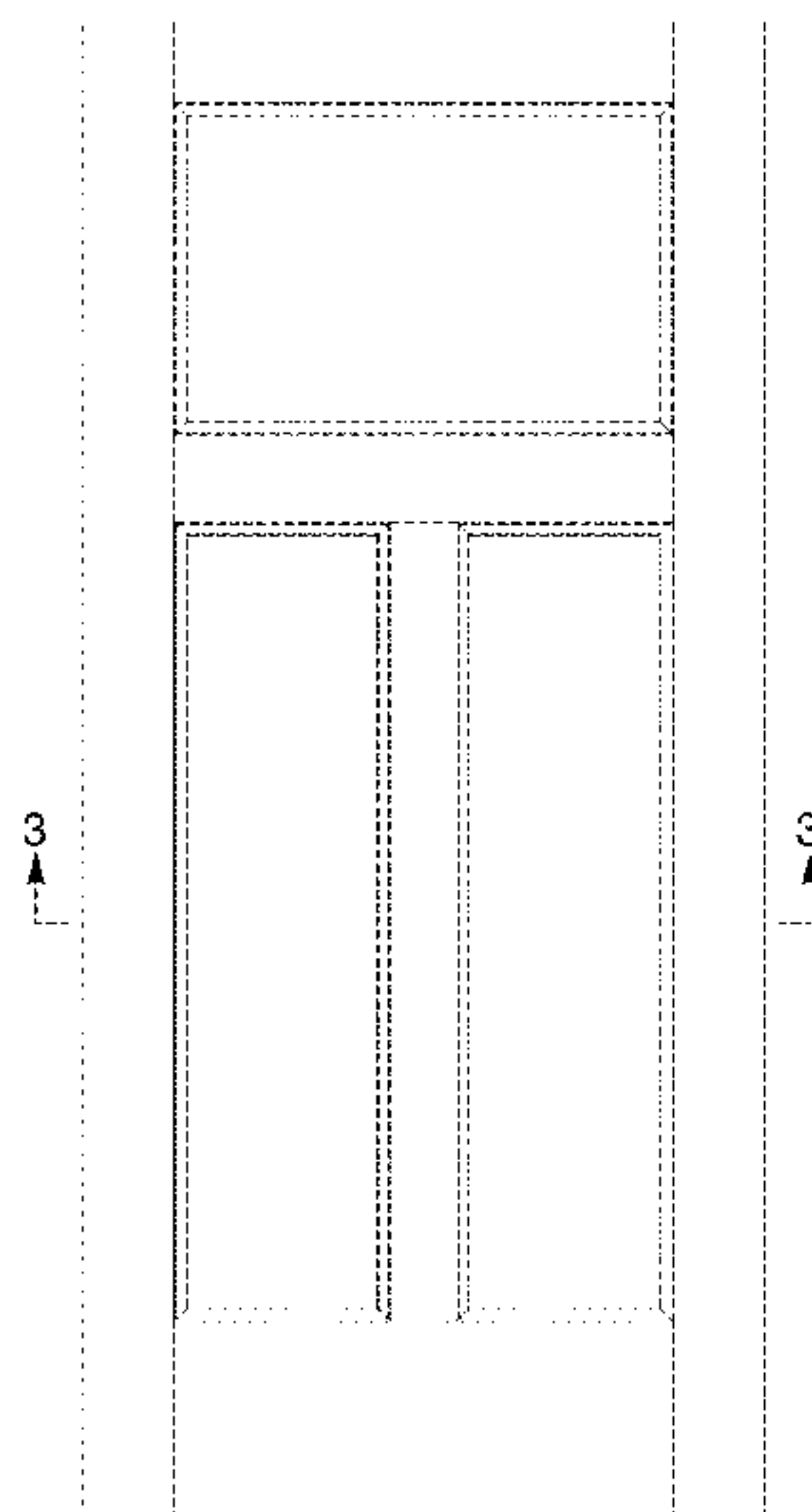
(57) **CLAIM**

The ornamental design for a door facing profile, as shown and described.

**DESCRIPTION**

FIG. 1 is a front elevational view of our door facing profile design embodied in a first door facing;  
FIG. 2 is a front elevational view of our door facing profile design embodied in a second door facing;  
FIG. 3 is a cross-sectional view taken along the line 3-3 of FIG. 1;  
FIG. 4 is a fragmentary cross-sectional view taken along the line 4-4 of FIG. 2;  
FIG. 5 is an enlarged view of a portion of FIGS. 3 and 4; and, FIG. 6 is a fragmentary perspective view of FIGS. 3 and 4. Upper and lower boundaries of the vertical solid lines along the left side of one of the panels shown in FIGS. 1 and 2 are represented by diagonal broken lines. The broken lines indicate portions of the door facing that form no part of the claimed design.

**1 Claim, 5 Drawing Sheets**



(56)

**References Cited**

U.S. PATENT DOCUMENTS

2013/0257242 A1 \* 10/2013 Bunch ..... A47B 46/005  
312/249.7

\* cited by examiner

Fig. 1

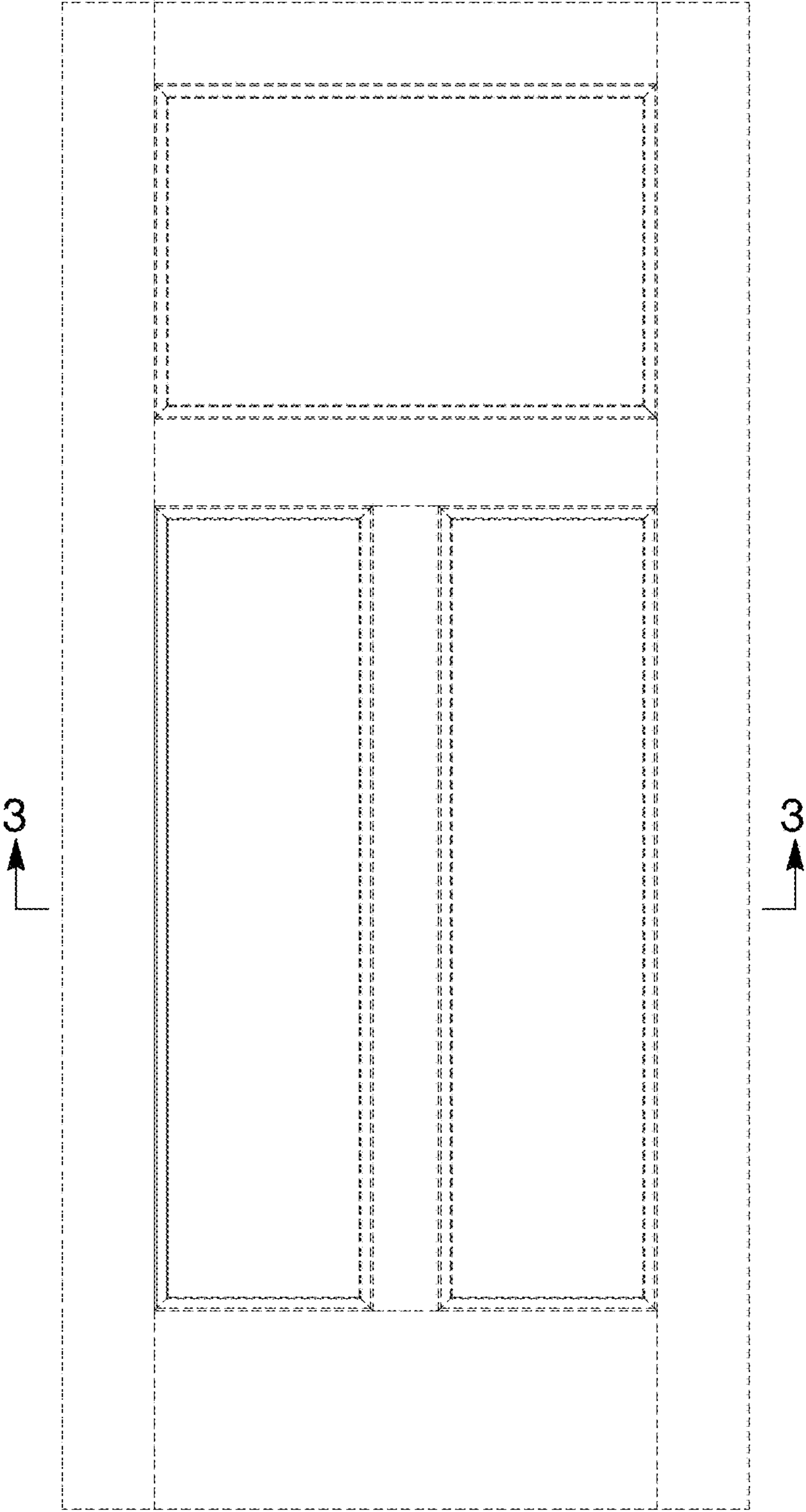


Fig. 2

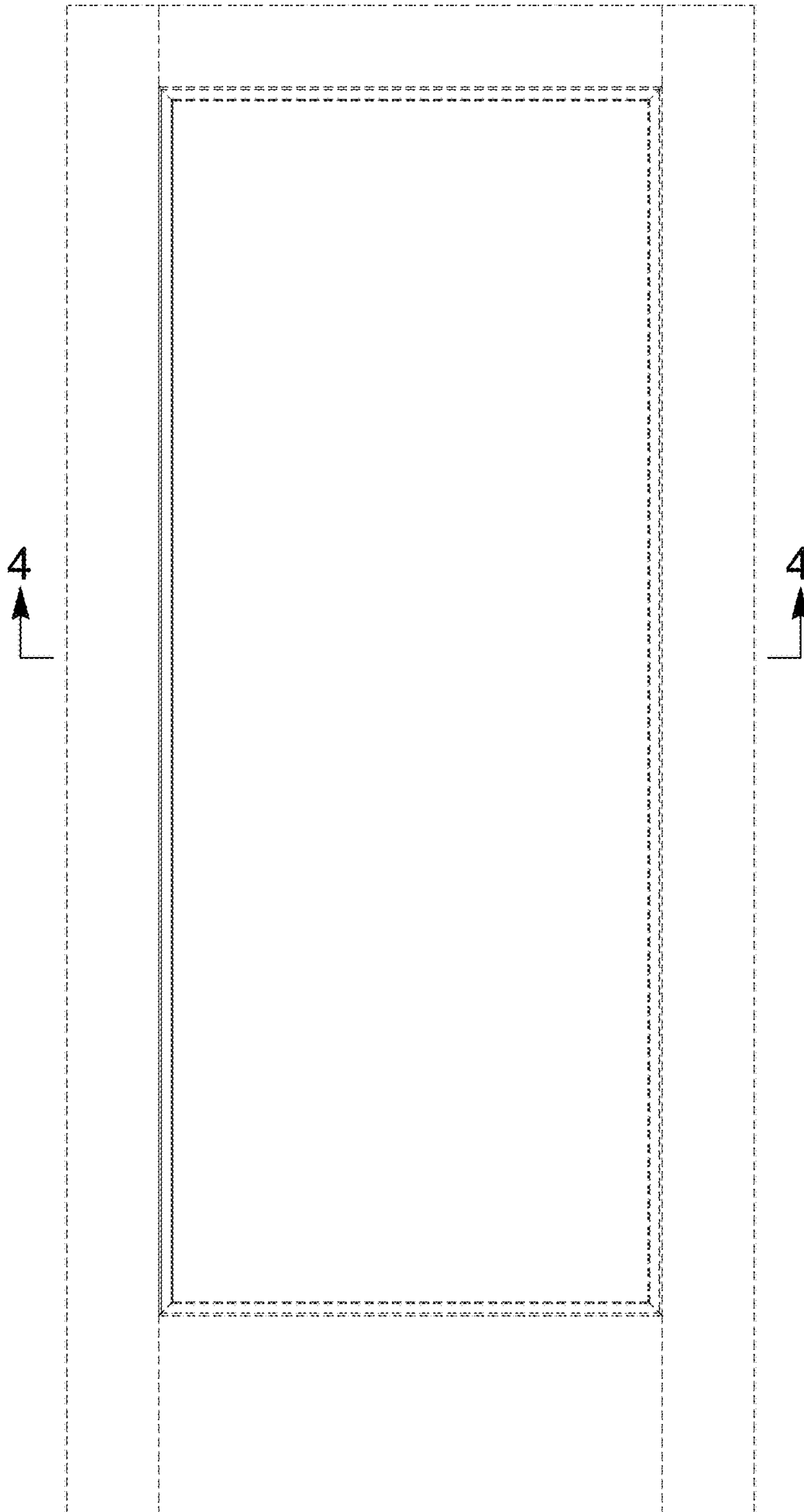


Fig. 3

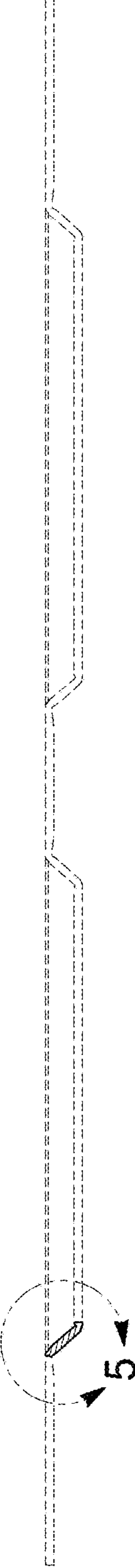


Fig. 4

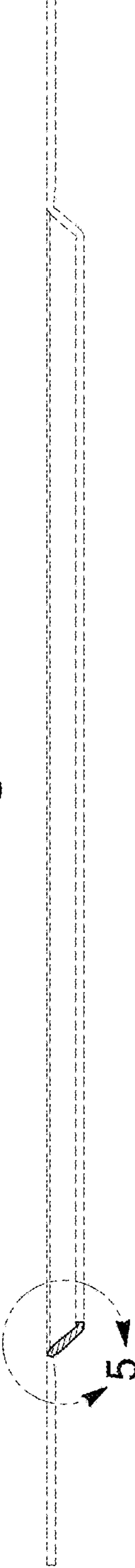


Fig. 5

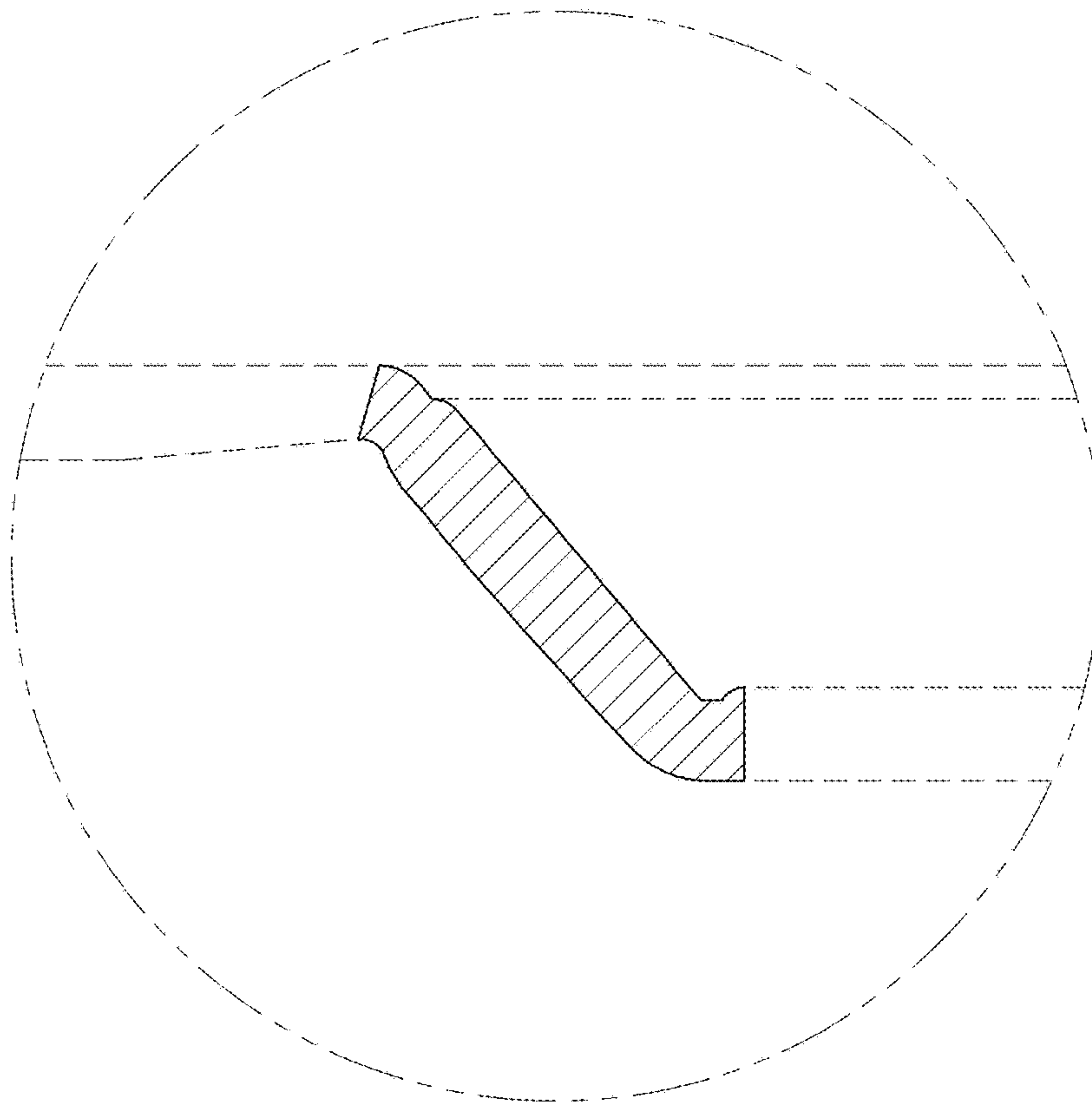


Fig. 6

