



US00D830573S

(12) **United States Design Patent** (10) **Patent No.:** **US D830,573 S**
Poirier et al. (45) **Date of Patent:** **** Oct. 9, 2018**

(54) **REAGENT PACK**

(71) Applicant: **Qualigen, Inc.**, Carlsbad, CA (US)

(72) Inventors: **Michael Poirier**, Vista, CA (US); **John Stephen Middleton**, Carlsbad, CA (US); **James Wallace Ballentine**, Englewood, CO (US); **Suzanne Marie Poirier**, Vista, CA (US)

(73) Assignee: **Qualigen, Inc.**, Carlsbad, CA (US)

(**) Term: **15 Years**

(21) Appl. No.: **29/605,790**

(22) Filed: **May 30, 2017**

(51) **LOC (11) Cl.** **24-01**

(52) **U.S. Cl.**
USPC **D24/224**

(58) **Field of Classification Search**
USPC D24/169, 216, 222–226, 231–232;
D10/80–81
CPC B01L 3/52; B01L 3/523; B01L 3/527
See application file for complete search history.

(56) **References Cited**

U.S. PATENT DOCUMENTS

D299,751 S *	2/1989	Hsei	D24/117
D302,294 S *	7/1989	Hillman	D24/223
5,422,271 A *	6/1995	Chen	B01L 3/502 206/223
D413,390 S *	8/1999	Southern	D24/216
D420,745 S *	2/2000	Cardy	D24/224

6,300,138 B1 * 10/2001 Gleason B01L 3/50273
422/547

D645,974 S * 9/2011 Roos D24/227

D647,628 S * 10/2011 Helfferen D24/229

D653,751 S * 2/2012 Ecabert D24/118

2012/0238955 A1 * 9/2012 Wyss A61J 1/1475
604/151

2013/0253439 A1 * 9/2013 Wyss A61J 1/05
604/246

2017/0218431 A1 * 8/2017 Breidenthal C12Q 1/04

* cited by examiner

Primary Examiner — Anhdao Doan
Assistant Examiner — Mary Shannon Malley

(74) *Attorney, Agent, or Firm* — Umberg Zipser LLP

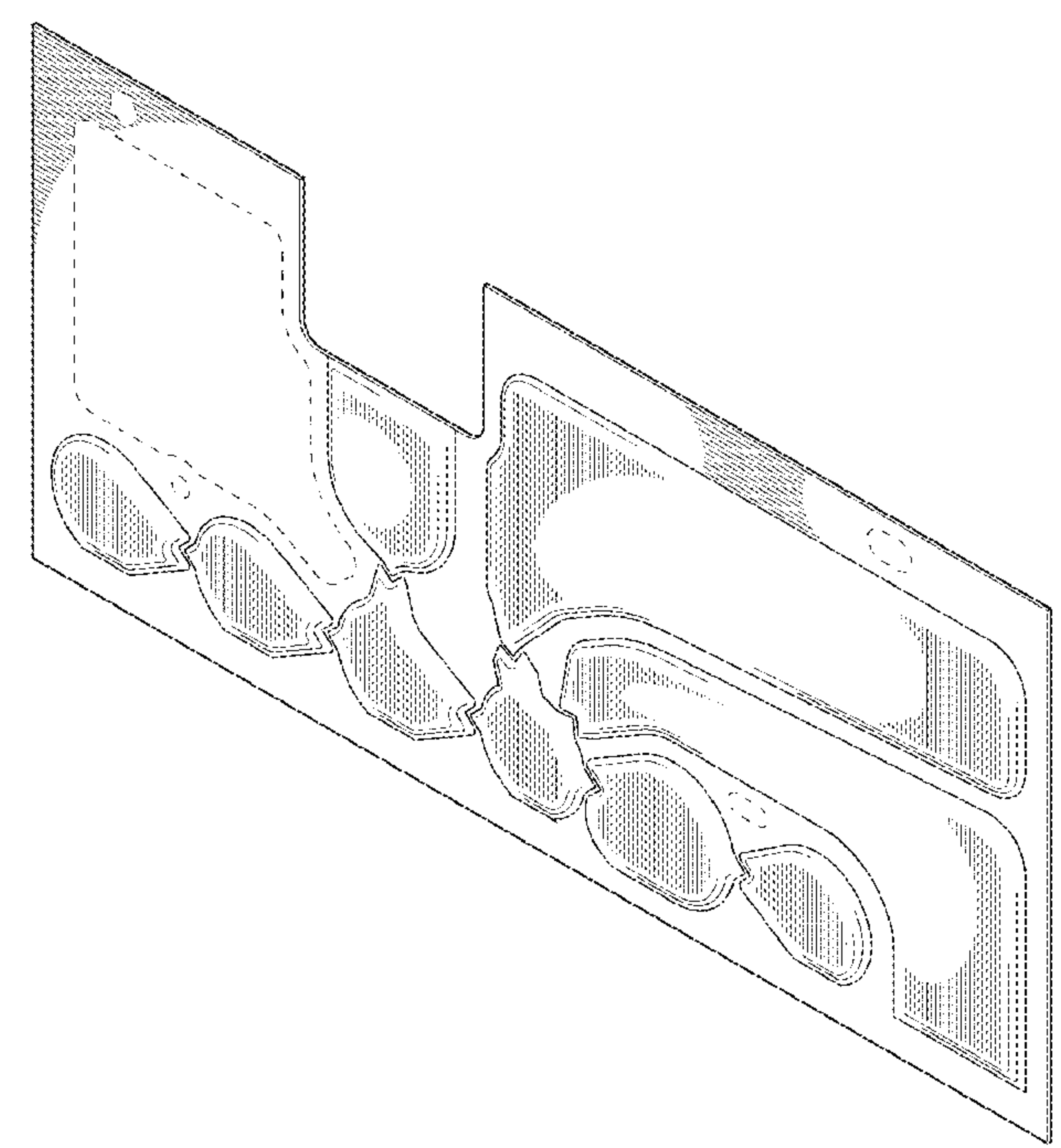
(57) **CLAIM**

The ornamental design for a reagent pack, as shown and described.

DESCRIPTION

FIG. 1 is a top, front, right side perspective view of the reagent pack of the new design.
 FIG. 2 is a front elevation view thereof.
 FIG. 3 is a rear elevation view thereof.
 FIG. 4 is a left side elevation view thereof with the thickness of the reagent pack shown at an enlarged scale.
 FIG. 5 is a right side elevation view thereof with the thickness of the reagent pack shown at an enlarged scale.
 FIG. 6 is a top plan view of FIG. 1; and,
 FIG. 7 is a bottom plan view thereof.

1 Claim, 4 Drawing Sheets



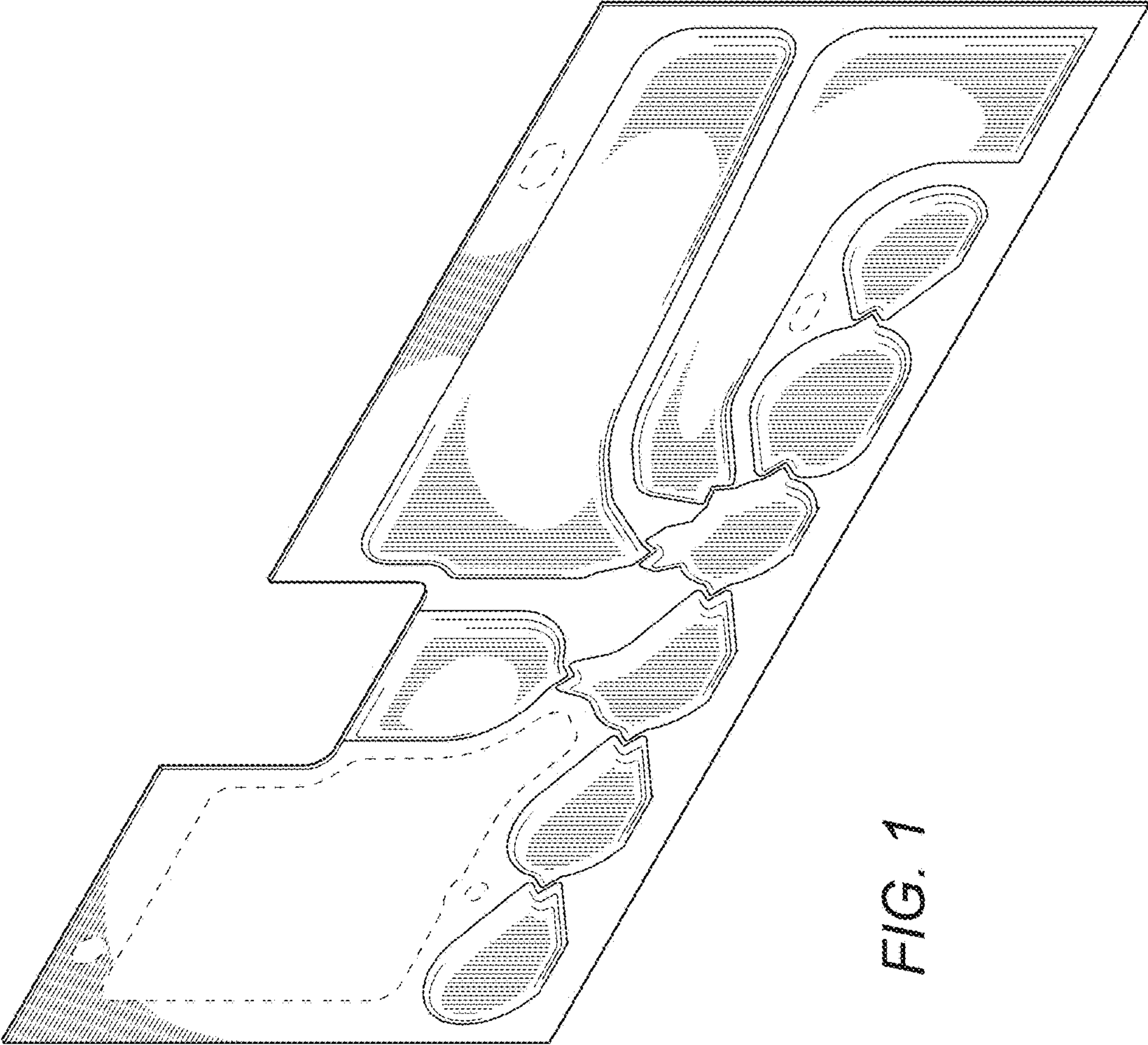


FIG. 1

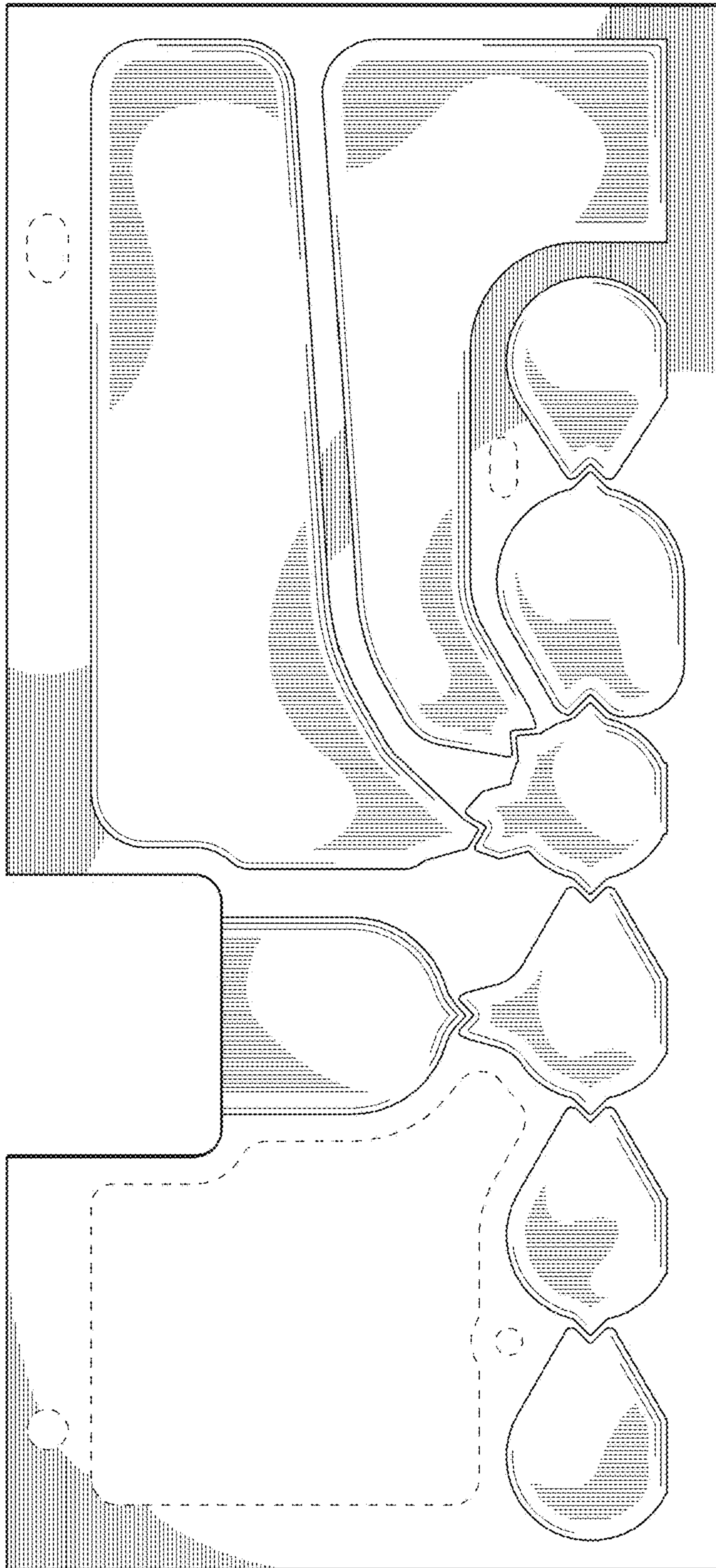


FIG. 2

FIG. 6



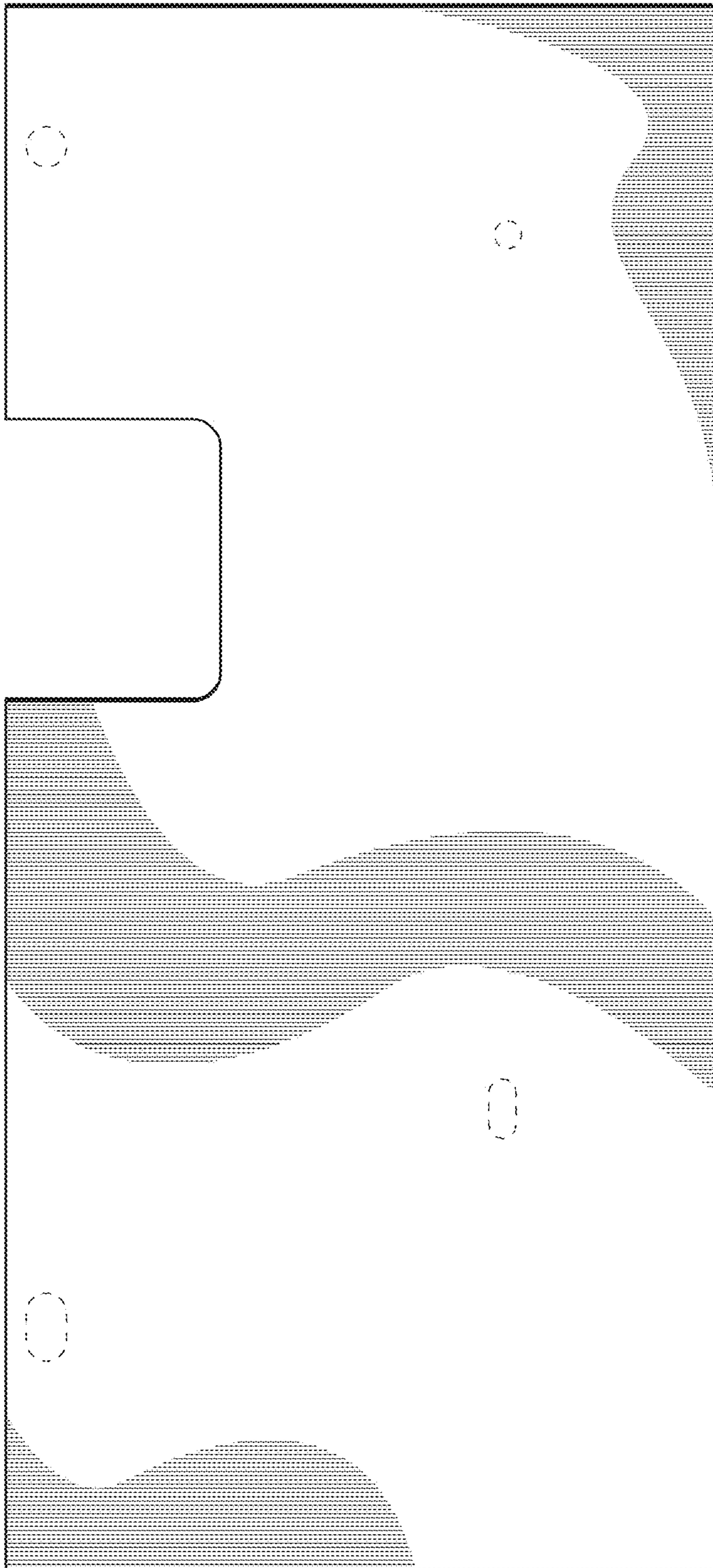


FIG. 3

FIG. 7



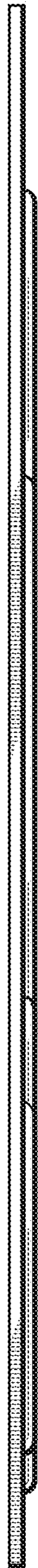


FIG. 4

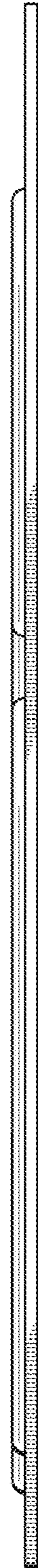


FIG. 5