



US00D830572S

(12) **United States Design Patent**  
**Edwards et al.**

(10) **Patent No.:** **US D830,572 S**  
(45) **Date of Patent:** **\*\* Oct. 9, 2018**

(54) **TESTING DEVICE**

(71) Applicant: **LIA DIAGNOSTICS, INC.**,  
Philadelphia, PA (US)

(72) Inventors: **Bethany Edwards**, Harveys Lake, PA  
(US); **Anna Couturier**, Philadelphia,  
PA (US)

(73) Assignee: **LIA DIAGNOSTICS, INC.**,  
Philadelphia, PA (US)

(\*\*) Term: **15 Years**

(21) Appl. No.: **29/582,054**

(22) Filed: **Oct. 25, 2016**

(51) **LOC (11) Cl.** ..... **24-02**

(52) **U.S. Cl.**  
USPC ..... **D24/223**

(58) **Field of Classification Search**  
USPC ..... D10/46, 223  
CPC .. B01L 2300/123; G01N 21/78; G01N 21/80;  
G01N 33/76; G01N 33/689; G01N  
33/54386; G01N 33/558; G01N  
33/48792; G01N 33/48785; G01N  
33/493; G01N 33/62; G01N 2201/022;  
G01N 2201/0221; G01N 2201/0222;  
G01N 2333/59; G01N 2800/368

See application file for complete search history.

(56) **References Cited**

**U.S. PATENT DOCUMENTS**

- 7,776,618 B2 \* 8/2010 Nazareth ..... G01N 33/558  
422/423
- 7,846,383 B2 \* 12/2010 Song ..... A61F 13/42  
422/420
- D735,879 S \* 8/2015 Behar ..... D24/223

(Continued)

*Primary Examiner* — Antoine D Davis

(74) *Attorney, Agent, or Firm* — Troutman Sanders LLP

(57) **CLAIM**

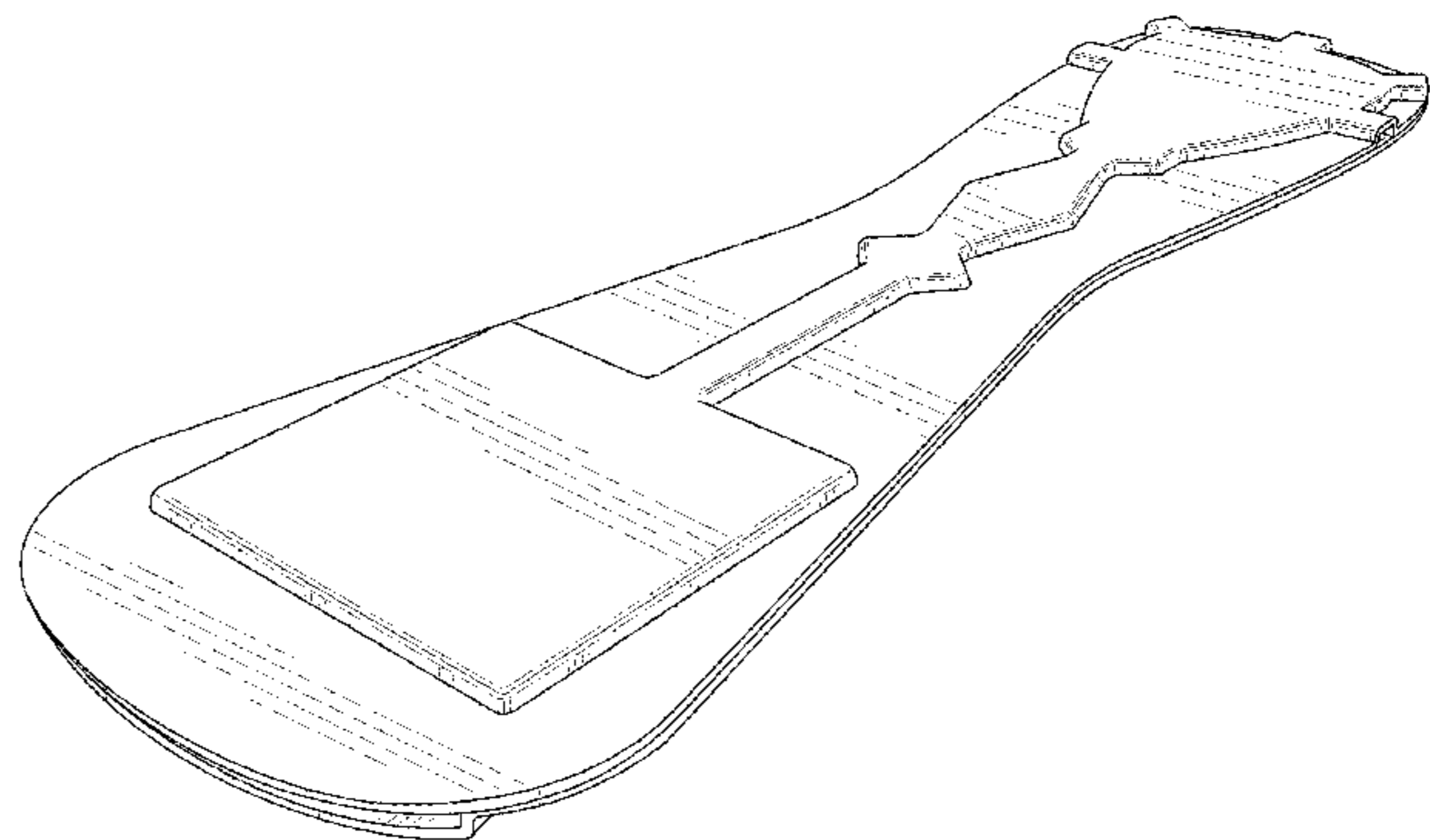
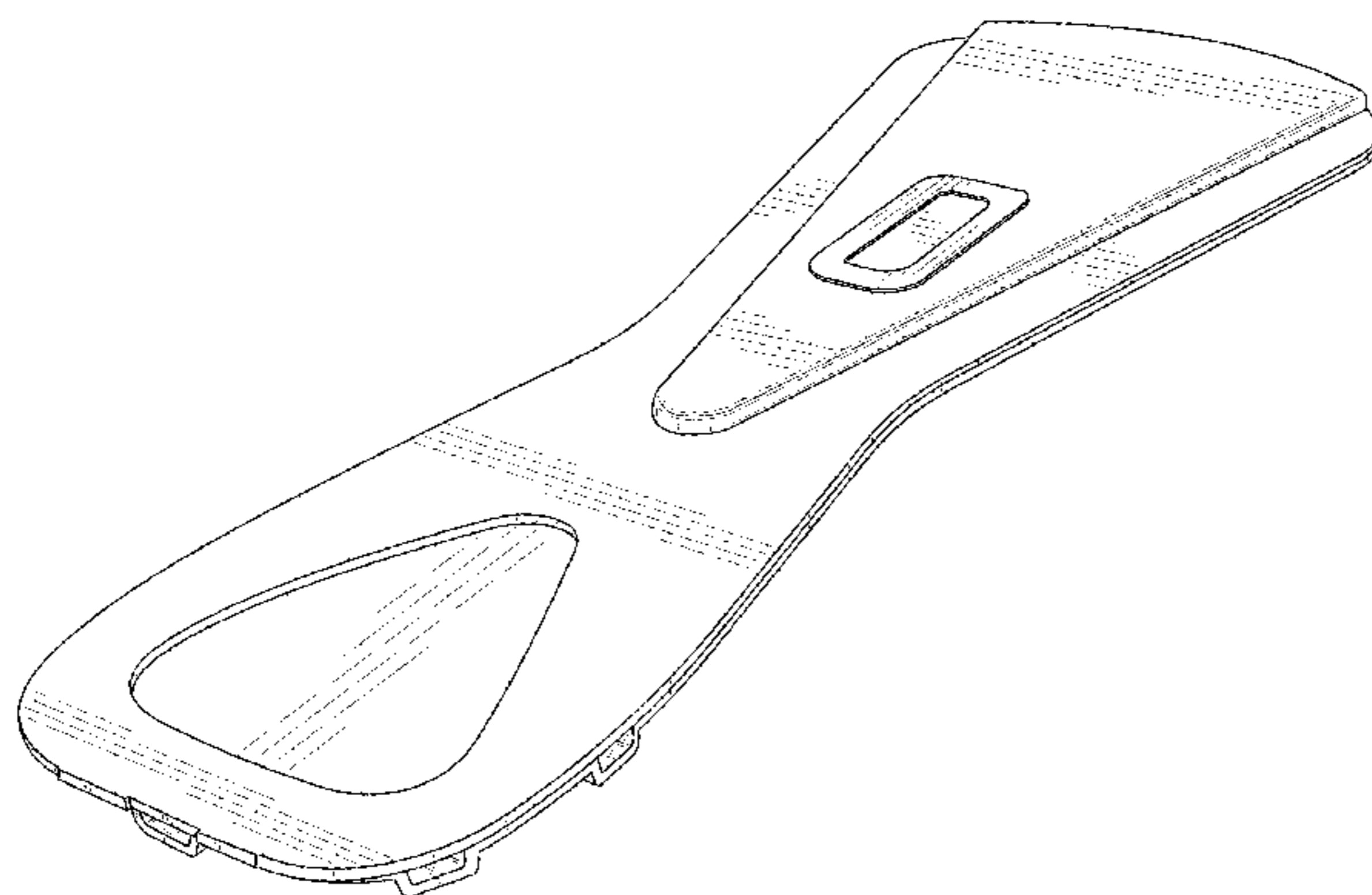
We claim the ornamental design for a testing device, as shown and described.

**DESCRIPTION**

FIG. 1 is an upper perspective view of a first embodiment of the testing device;  
 FIG. 2 is a lower perspective view of the testing device in FIG. 1;  
 FIG. 3 is a top plan view of the testing device shown in FIG. 1;  
 FIG. 4 is a bottom plan view of the testing device shown in FIG. 1;  
 FIG. 5 is a right side view of the testing device shown in FIG. 1;  
 FIG. 6 is a left side view of the testing device shown in FIG. 1;  
 FIG. 7 is a forward plan view of the testing device shown in FIG. 1;  
 FIG. 8 is a rear plan view of the testing device shown in FIG. 1;  
 FIG. 9 is an upper perspective view of the testing device in FIG. 1 in a second position;  
 FIG. 10 is a lower perspective view of the testing device in FIG. 9;  
 FIG. 11 is a top plan view of the testing device shown in FIG. 9;  
 FIG. 12 is a bottom plan view of the testing device shown in FIG. 9;  
 FIG. 13 is a right side view of the testing device shown in FIG. 9;  
 FIG. 14 is a left side view of the testing device shown in FIG. 9;  
 FIG. 15 is a forward plan view of the testing device shown in FIG. 9; and,  
 FIG. 16 is a rear plan view of the testing device shown in FIG. 9.

The broken lines in the figures are environmental only and form no part of the claimed design.

**1 Claim, 16 Drawing Sheets**



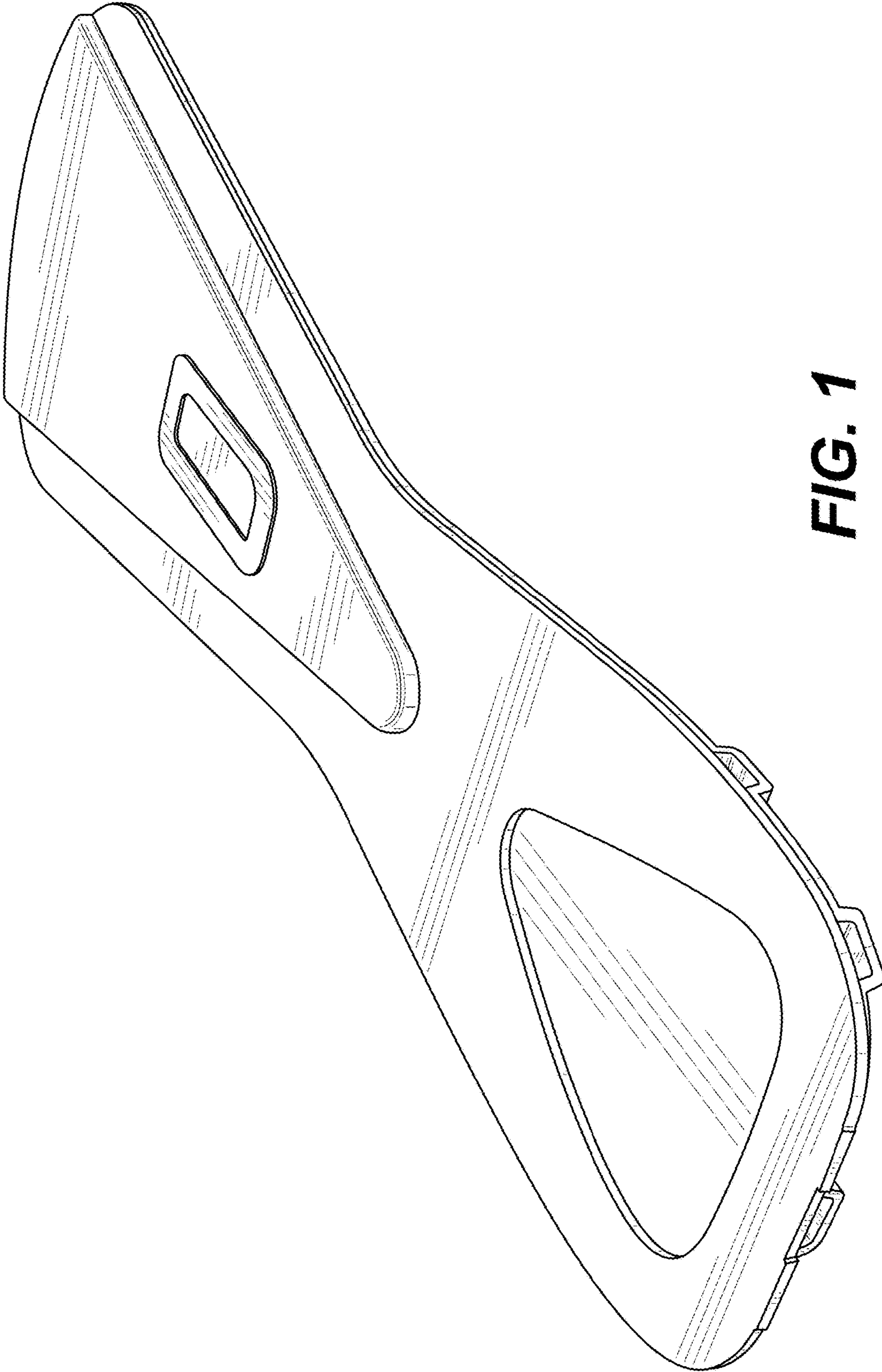
(56)

**References Cited**

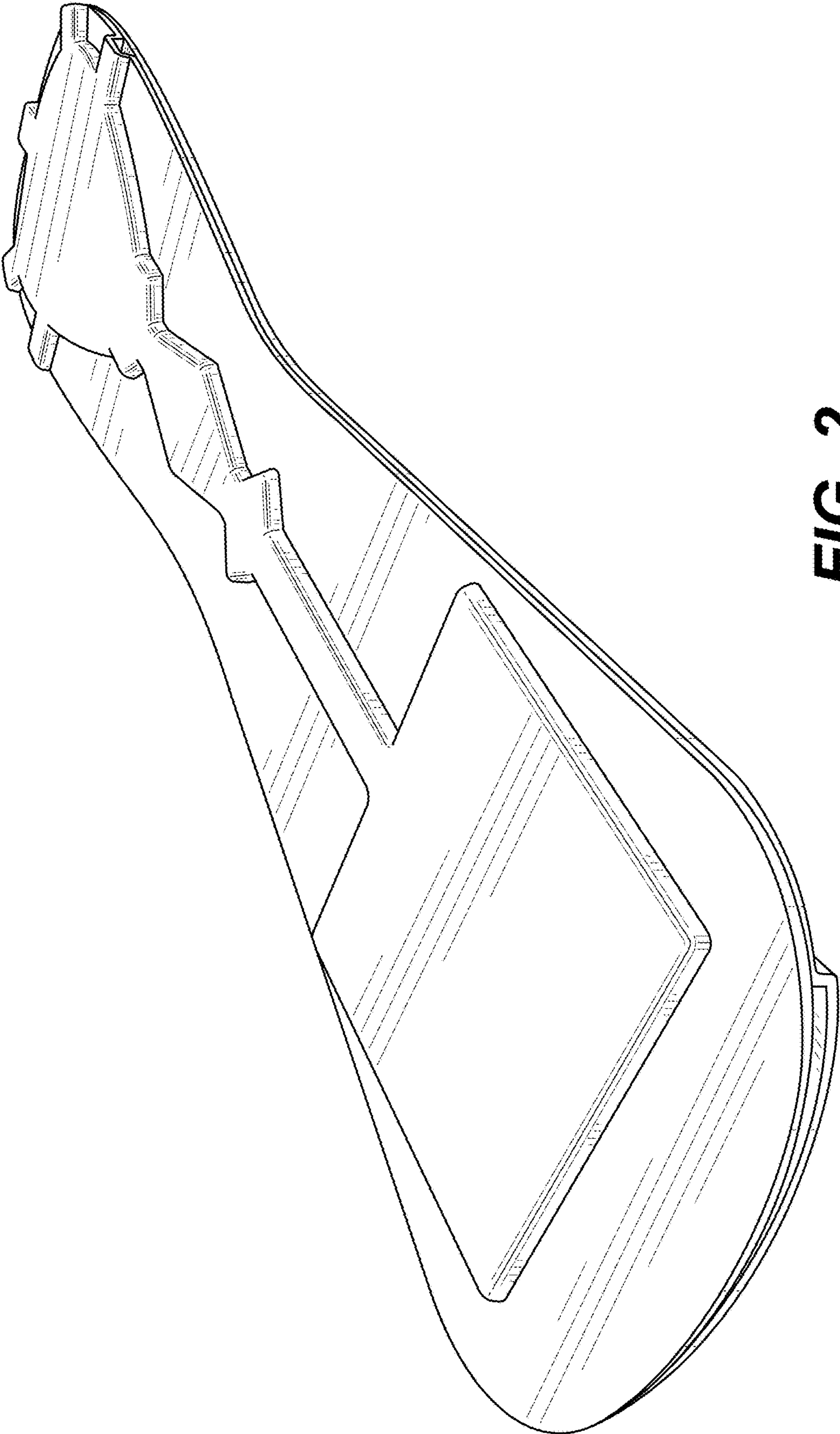
U.S. PATENT DOCUMENTS

D764,069 S \* 8/2016 Peluso ..... D24/223  
9,606,116 B2 \* 3/2017 Edwards ..... G01N 33/54366

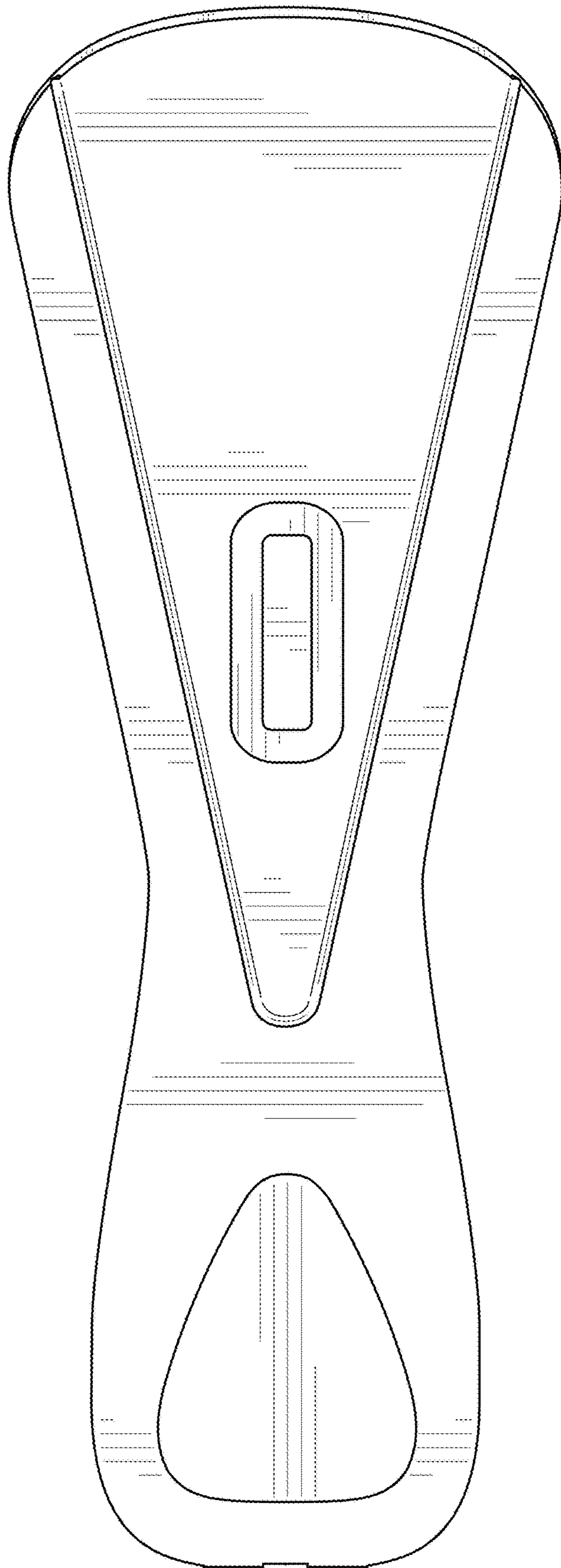
\* cited by examiner



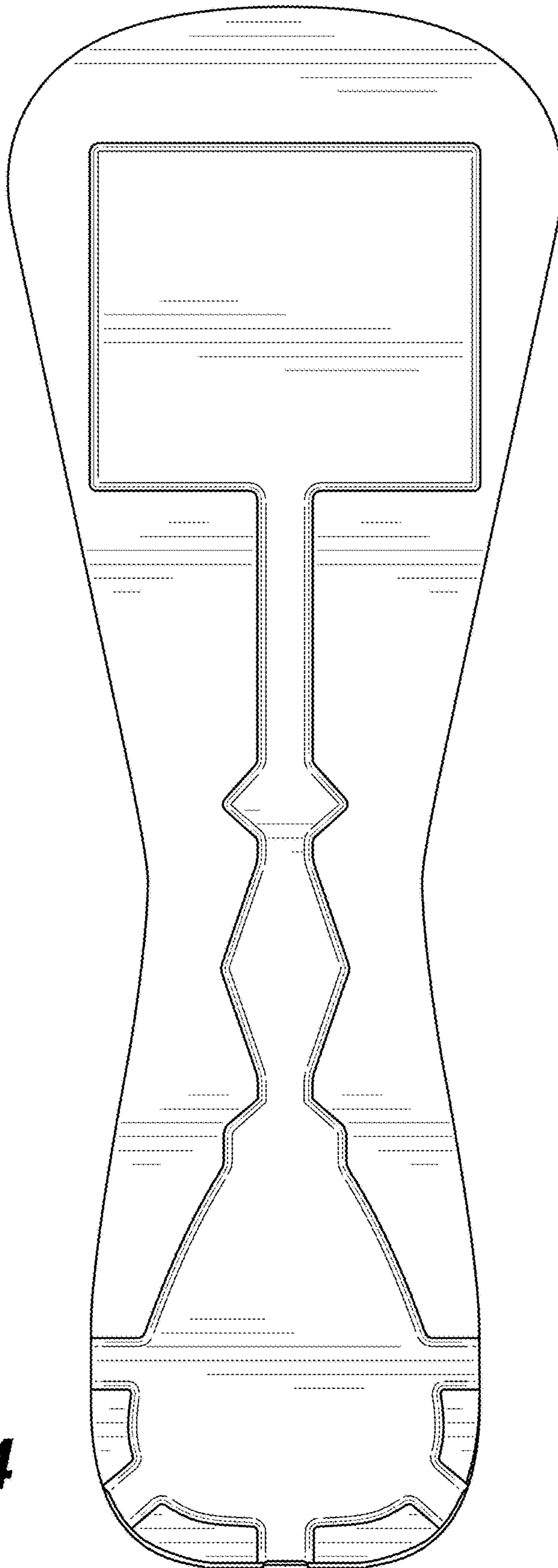
**FIG. 1**



**FIG. 2**



**FIG. 3**



**FIG. 4**



**FIG. 5**



**FIG. 6**

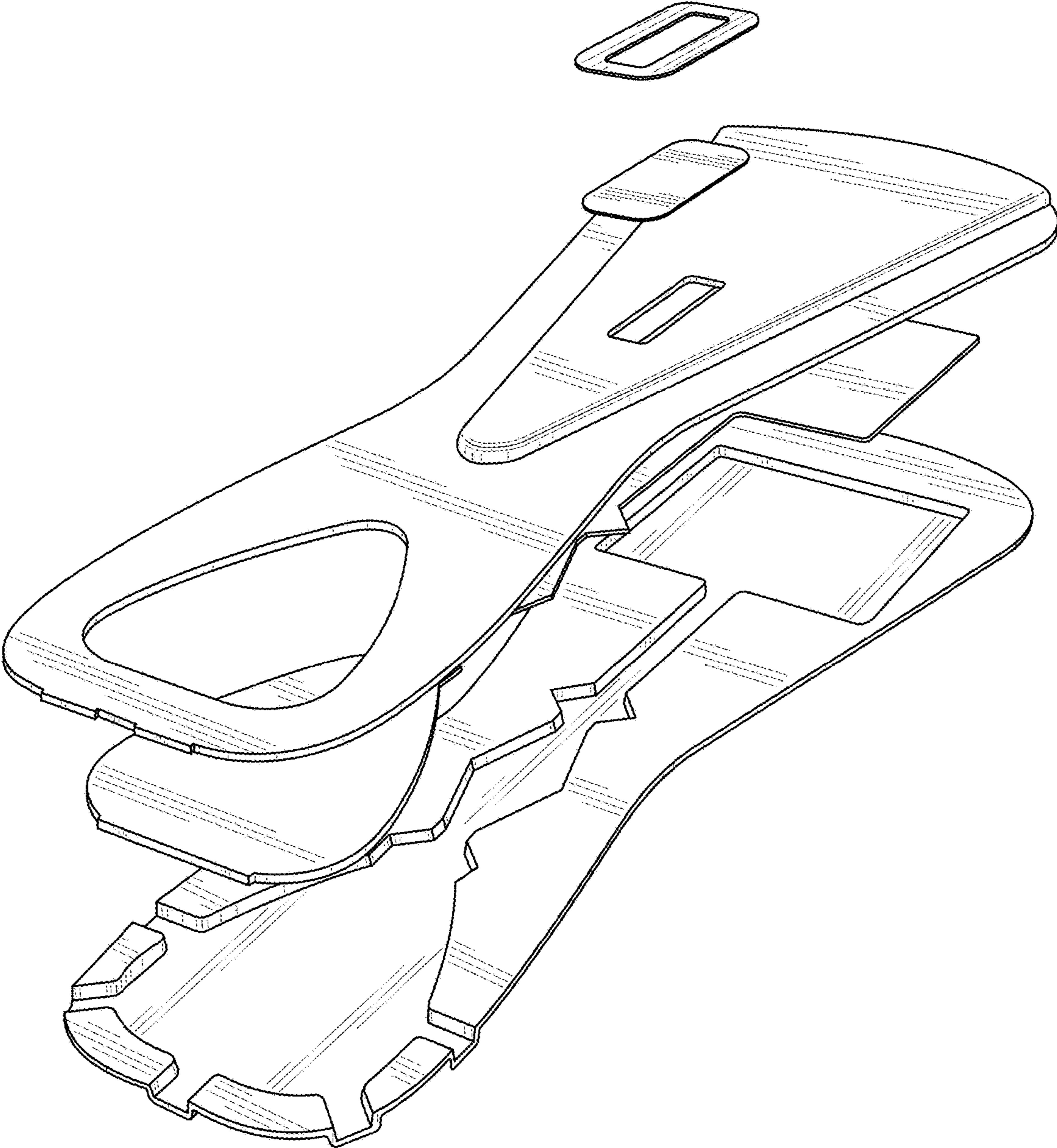




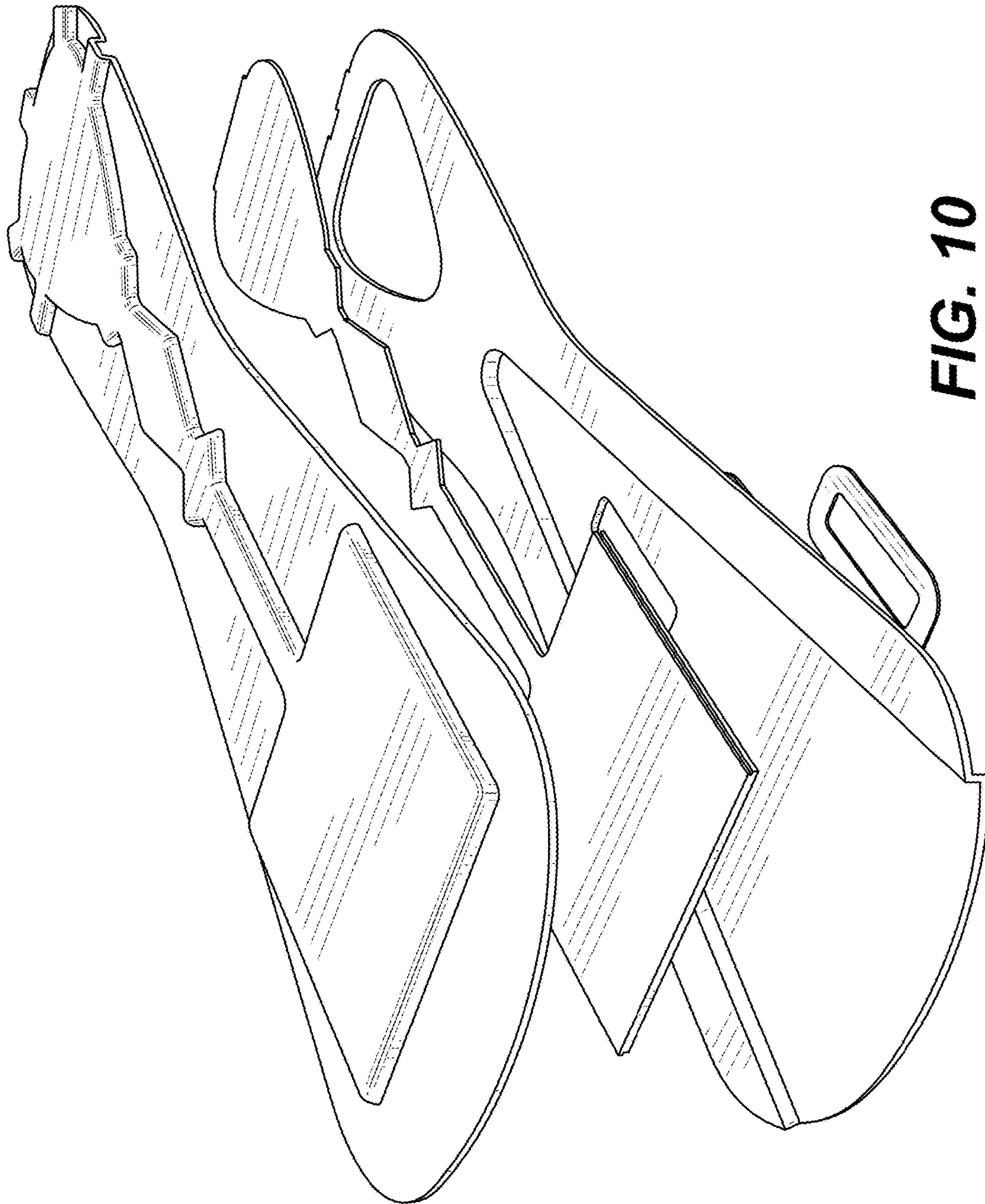
**FIG. 7**



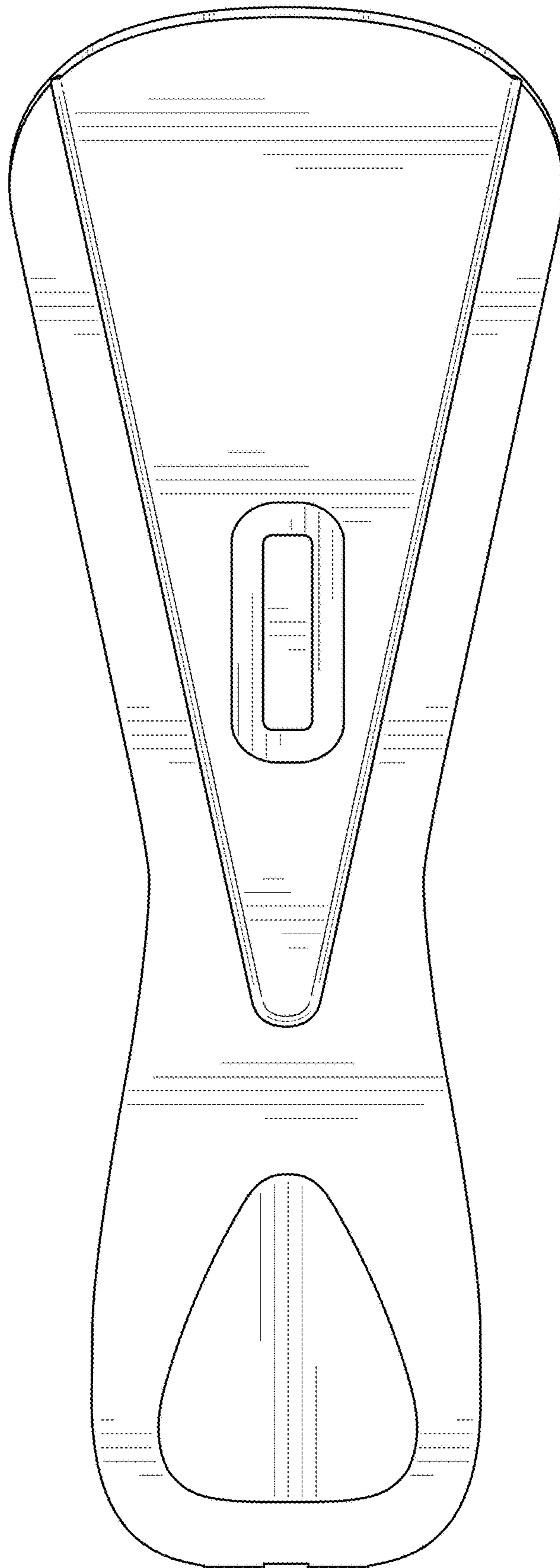
**FIG. 8**



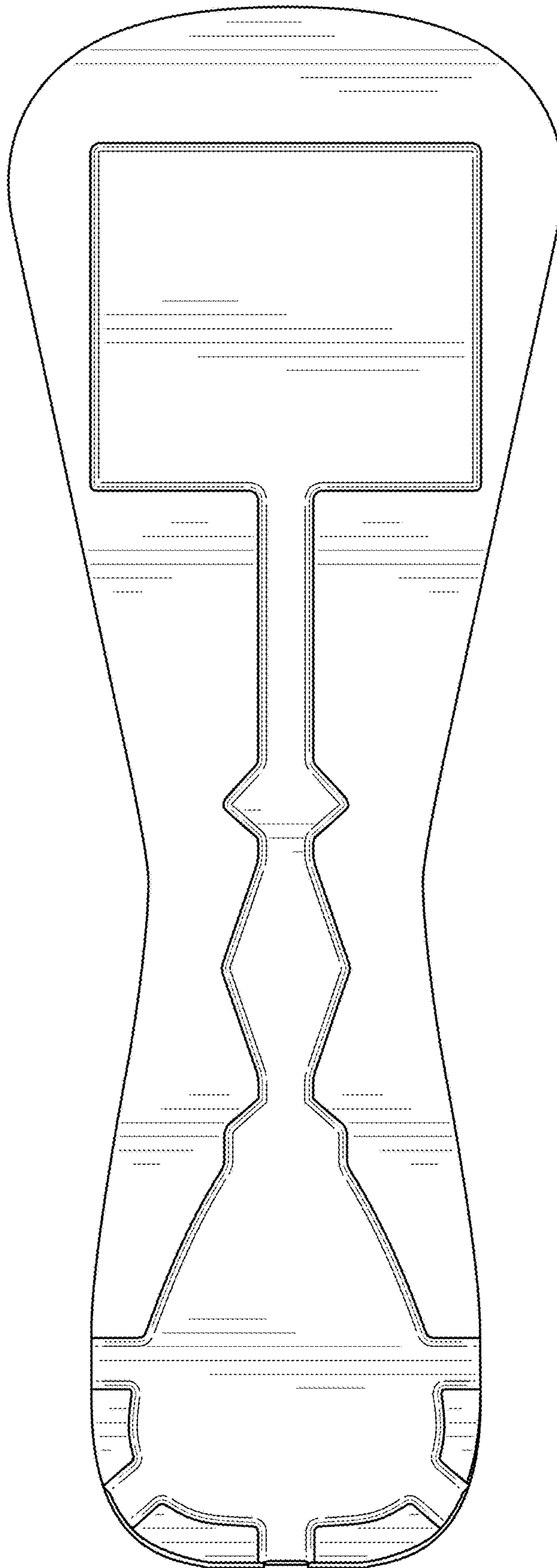
**FIG. 9**



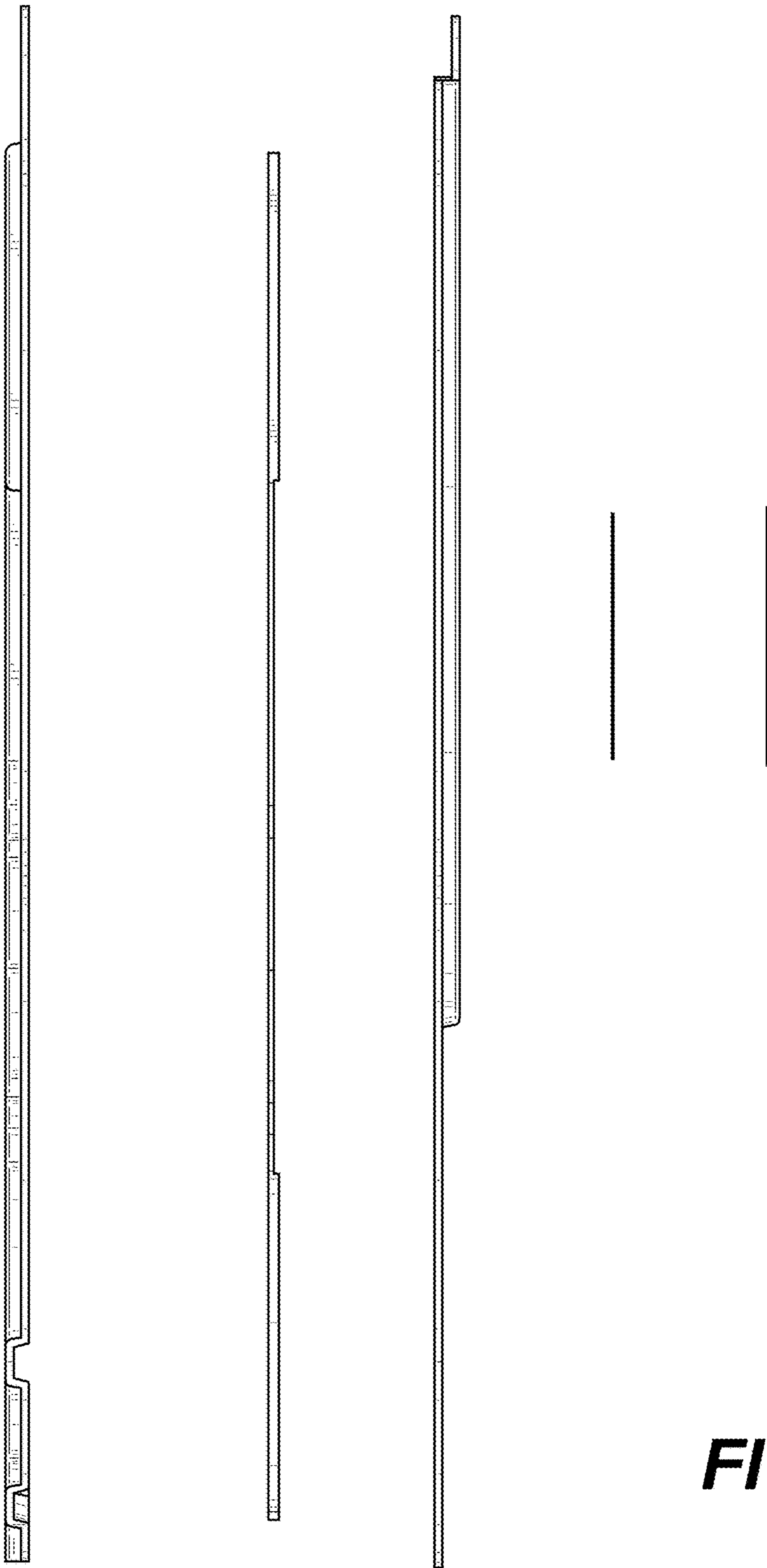
**FIG. 10**



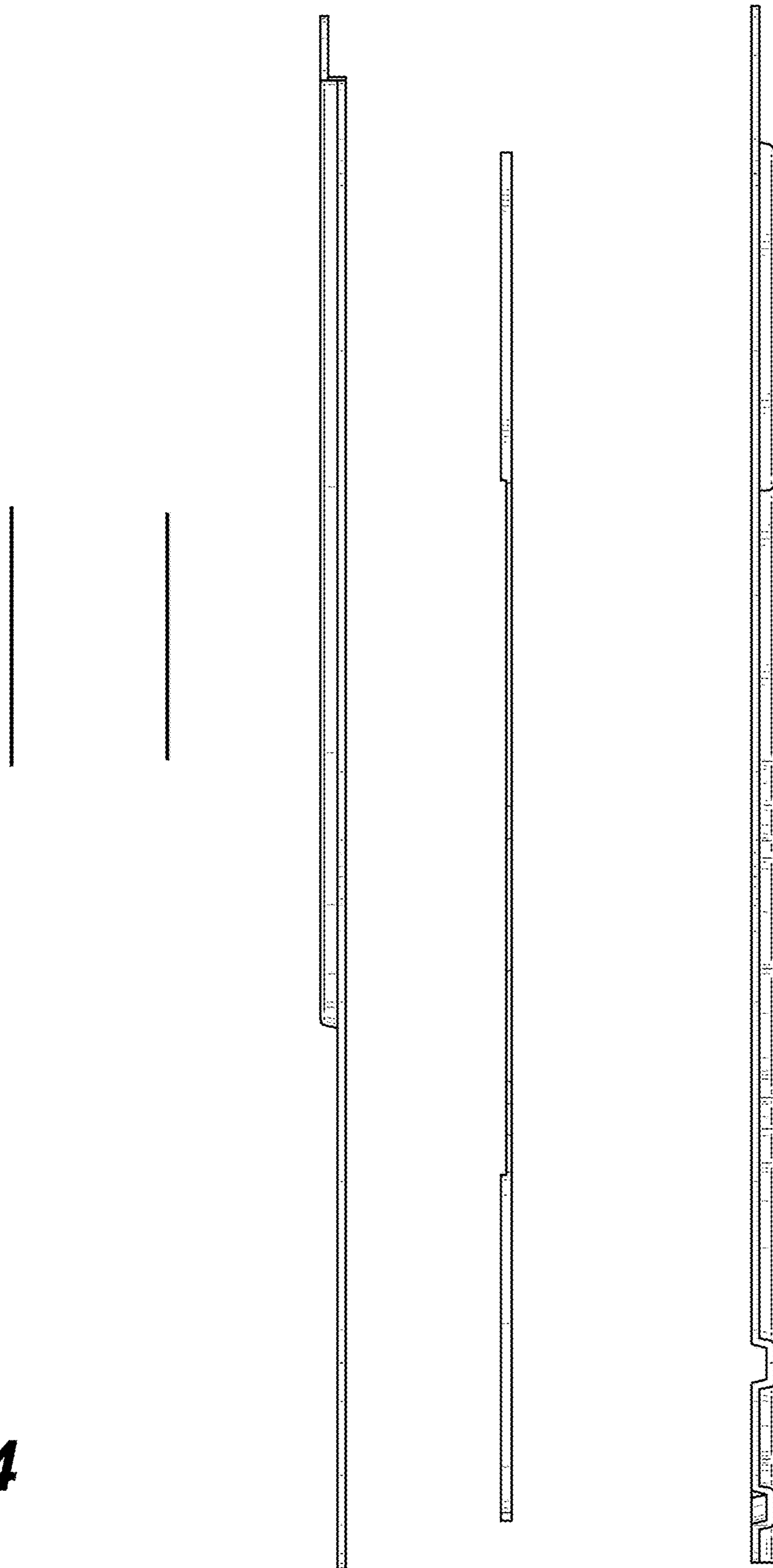
**FIG. 11**



**FIG. 12**

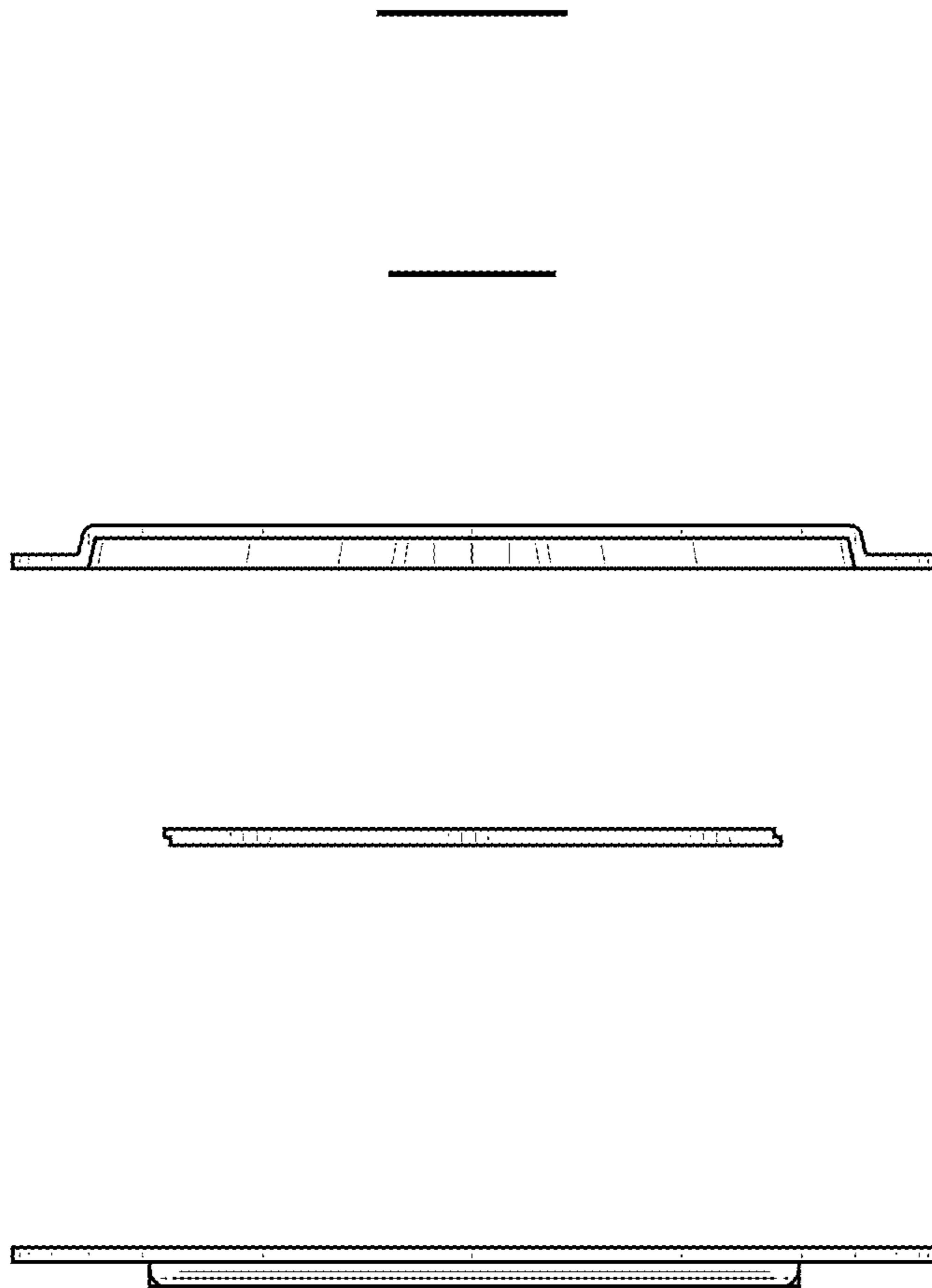


**FIG. 13**

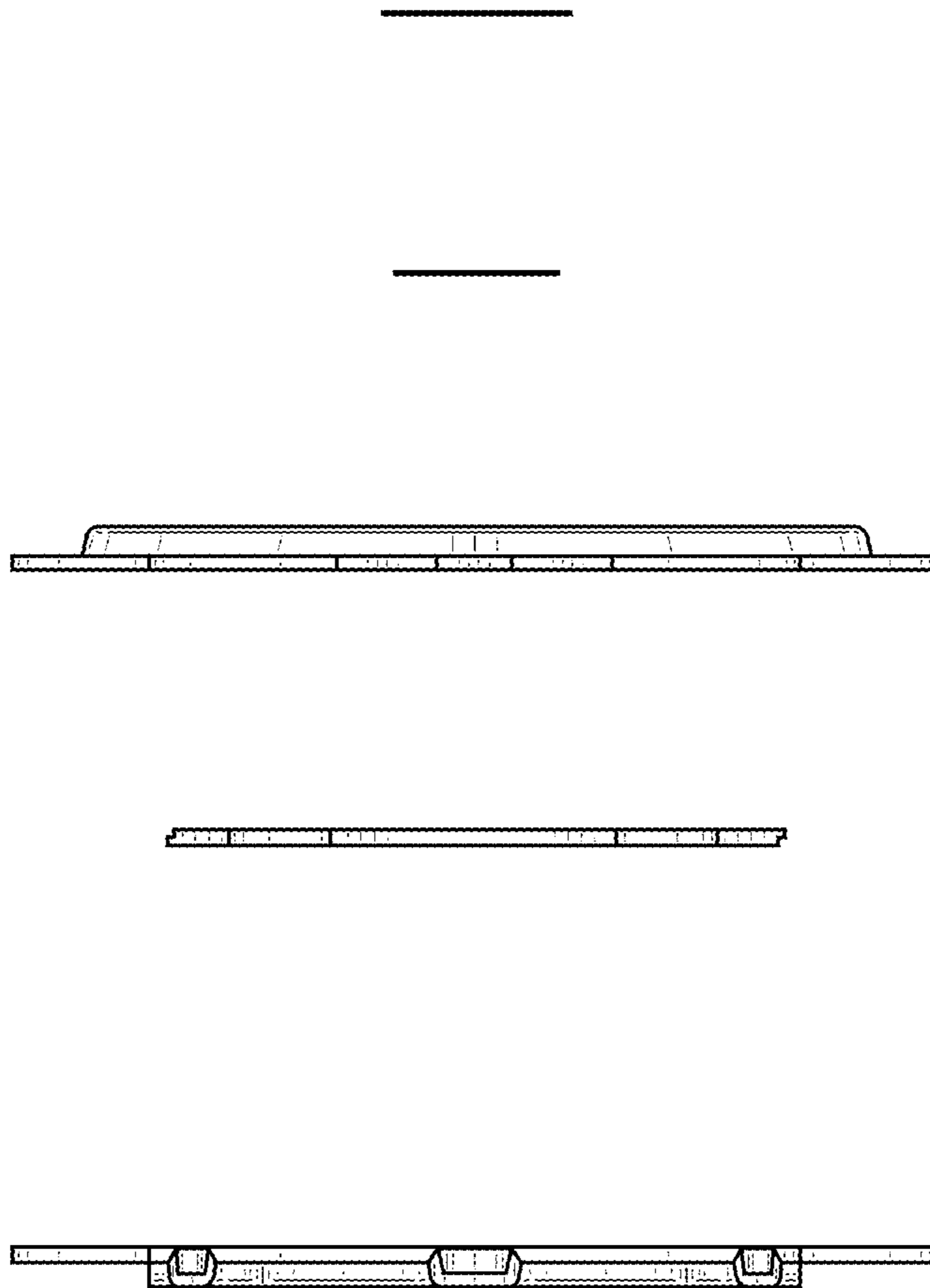


**FIG. 14**





**FIG. 15**



**FIG. 16**