



US00D830571S

(12) **United States Design Patent** (10) **Patent No.:** **US D830,571 S**
Ghahary et al. (45) **Date of Patent:** **** Oct. 9, 2018**

- (54) **TOOTHBRUSH STERILIZATION SYSTEM**
- (71) Applicants: **Simon Ghahary**, Long Beach, CA (US); **Ryan Mongan**, Orange, CA (US)
- (72) Inventors: **Simon Ghahary**, Long Beach, CA (US); **Ryan Mongan**, Orange, CA (US)
- (73) Assignee: **TAO CLEAN, LLC**, Orange, CA (US)
- (**) Term: **15 Years**
- (21) Appl. No.: **29/578,057**
- (22) Filed: **Sep. 19, 2016**

Related U.S. Application Data

- (63) Continuation-in-part of application No. 29/515,947, filed on Jan. 28, 2015, now abandoned.
- (51) **LOC (11) Cl.** **24-01**
- (52) **U.S. Cl.**
USPC **D24/217**
- (58) **Field of Classification Search**
USPC D24/216, 217, 218, 219, 224–232;
D3/200, 203.1, 203.2, 294, 298; D9/420,
D9/435, 436, 447, 449, 450, 520; D32/1;
D28/73
CPC ... A61L 2/025; A61L 2/04; A61L 2/07; A61L
2/10; A61L 2/18; A61L 2/24; A61L 2/26;
A61L 2/28; A61L 2202/23; A61L
2202/24; A61L 2202/121; A61L
2202/122; B65D 47/28; B65D 47/286;
A46B 17/06
See application file for complete search history.

(56) **References Cited**

U.S. PATENT DOCUMENTS

- D492,822 S * 7/2004 Wang D32/1
 - D527,461 S * 8/2006 Yue D24/217
- (Continued)

Primary Examiner — Anhdao Doan

(74) *Attorney, Agent, or Firm* — MaxValueIP LLC

(57) **CLAIM**

The ornamental design for a toothbrush sterilization system, as shown and described.

DESCRIPTION

This application is related to a non-provisional U.S. utility application Ser. No. 14/604,729, filed on Jan. 25, 2015. This application incorporates by reference all of the teachings of the prior applications mentioned above.

FIG. 1 is a front view of the toothbrush sterilization system, with the toothbrush inside the chamber.

FIG. 2 is a back view of the toothbrush sterilization system, with the toothbrush inside the chamber.

FIG. 3 is a right side view of the toothbrush sterilization system, with the toothbrush inside the chamber.

FIG. 4 is a left side view of the toothbrush sterilization system, with the toothbrush inside the chamber.

FIG. 5 is a top view of the toothbrush sterilization system, with the toothbrush inside the chamber.

FIG. 6 is a bottom view of the toothbrush sterilization system, with the toothbrush inside the chamber.

FIG. 7 is a front view of the chamber.

FIG. 8 is a back view of the chamber.

FIG. 9 is a right side view of the chamber.

FIG. 10 is a left side view of the chamber.

FIG. 11 is a top view of the chamber.

FIG. 12 is a bottom view of the chamber.

FIG. 13 is a front view of the toothbrush.

FIG. 14 is a back view of the toothbrush.

FIG. 15 is a right side view of the toothbrush.

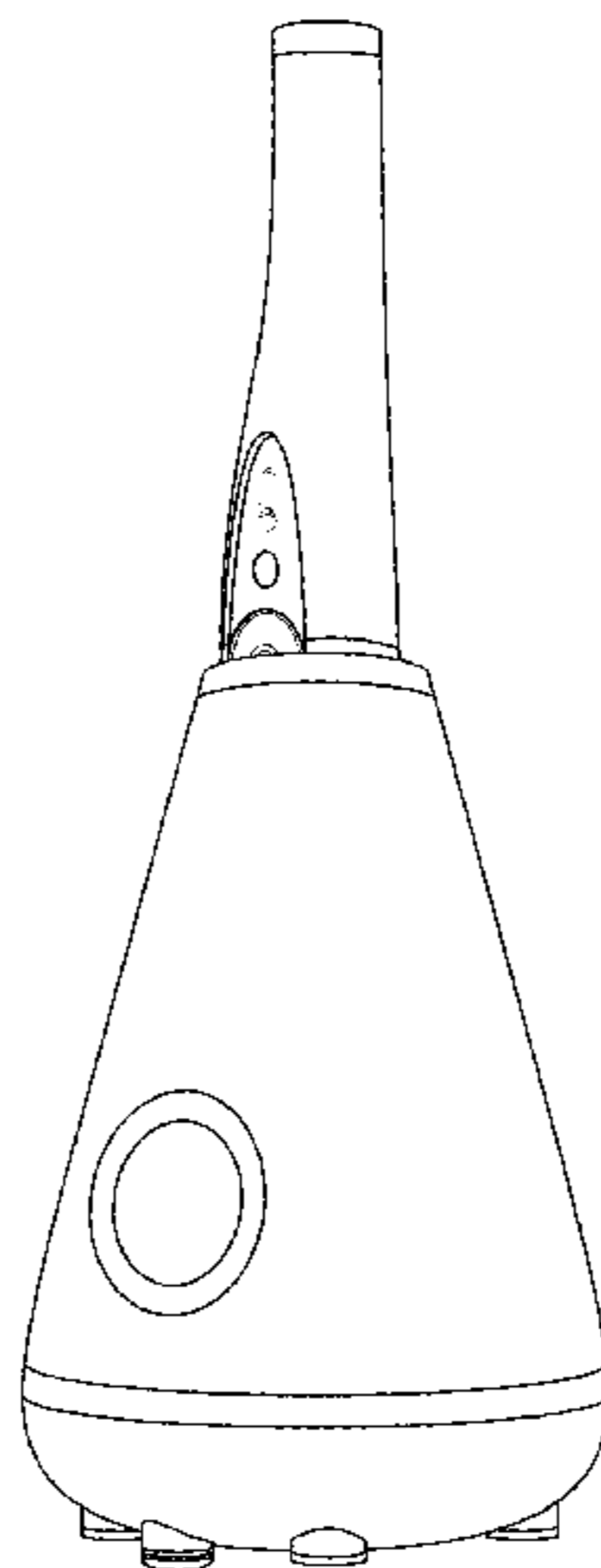
FIG. 16 is a left side view of the toothbrush.

FIG. 17 is a bottom view of the toothbrush.

FIG. 18 is a top view of the toothbrush; and, FIG. 19 is a front perspective view thereof, with the toothbrush inside the chamber.

The broken lines represent portions of the toothbrush sterilization system that form no part of the claimed design.

1 Claim, 19 Drawing Sheets



(56)

References Cited

U.S. PATENT DOCUMENTS

D573,263 S *	7/2008	Pinsky	D24/217
D584,417 S *	1/2009	Massee	D24/217
7,951,343 B1 *	5/2011	Davis	A61L 2/18 206/209
D717,967 S *	11/2014	Durant	D24/217
D750,895 S *	3/2016	Jay	D24/217
2015/0216294 A1 *	8/2015	Mongan	A46B 17/065 15/105

* cited by examiner

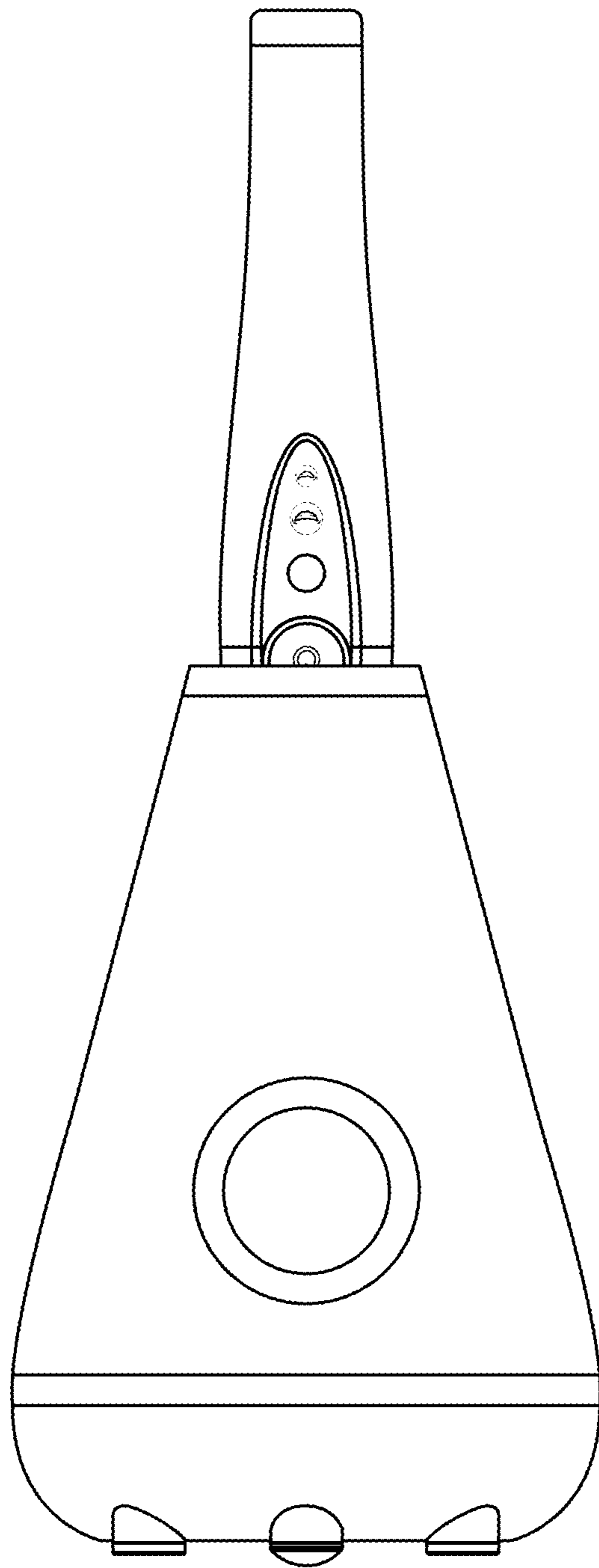


FIG. 1

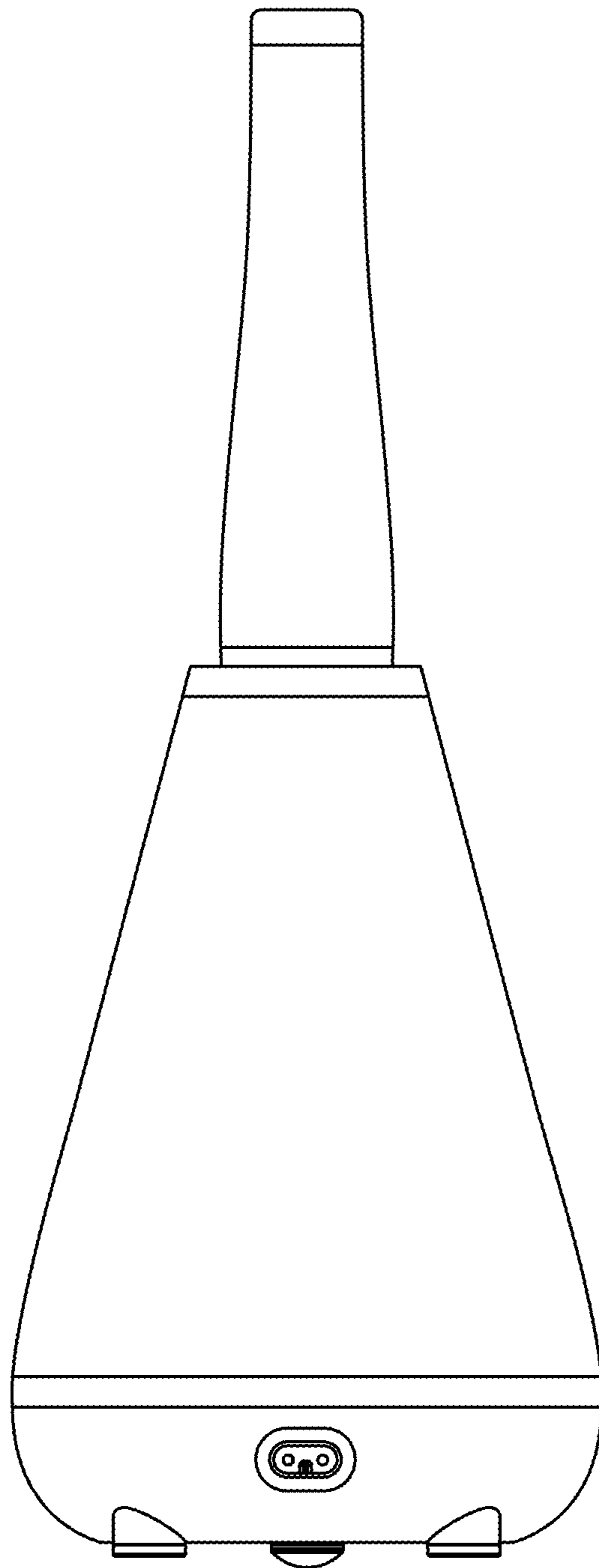


FIG. 2

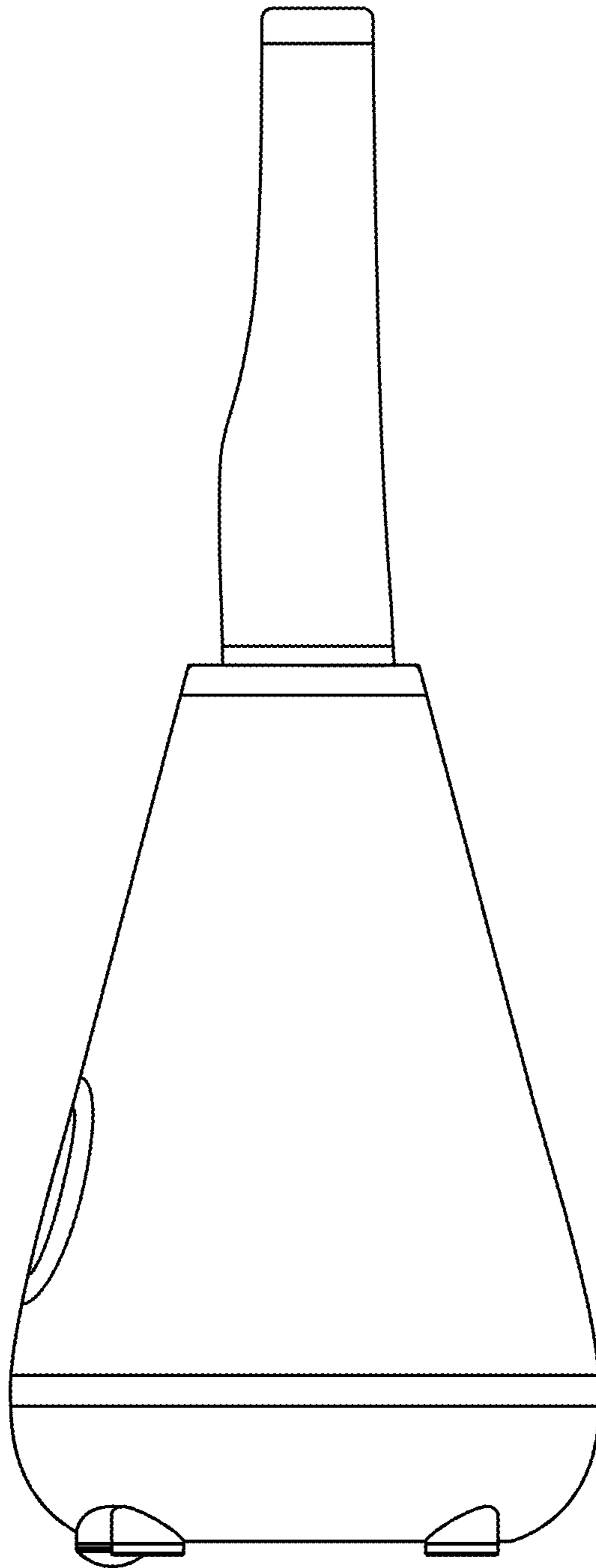


FIG. 3

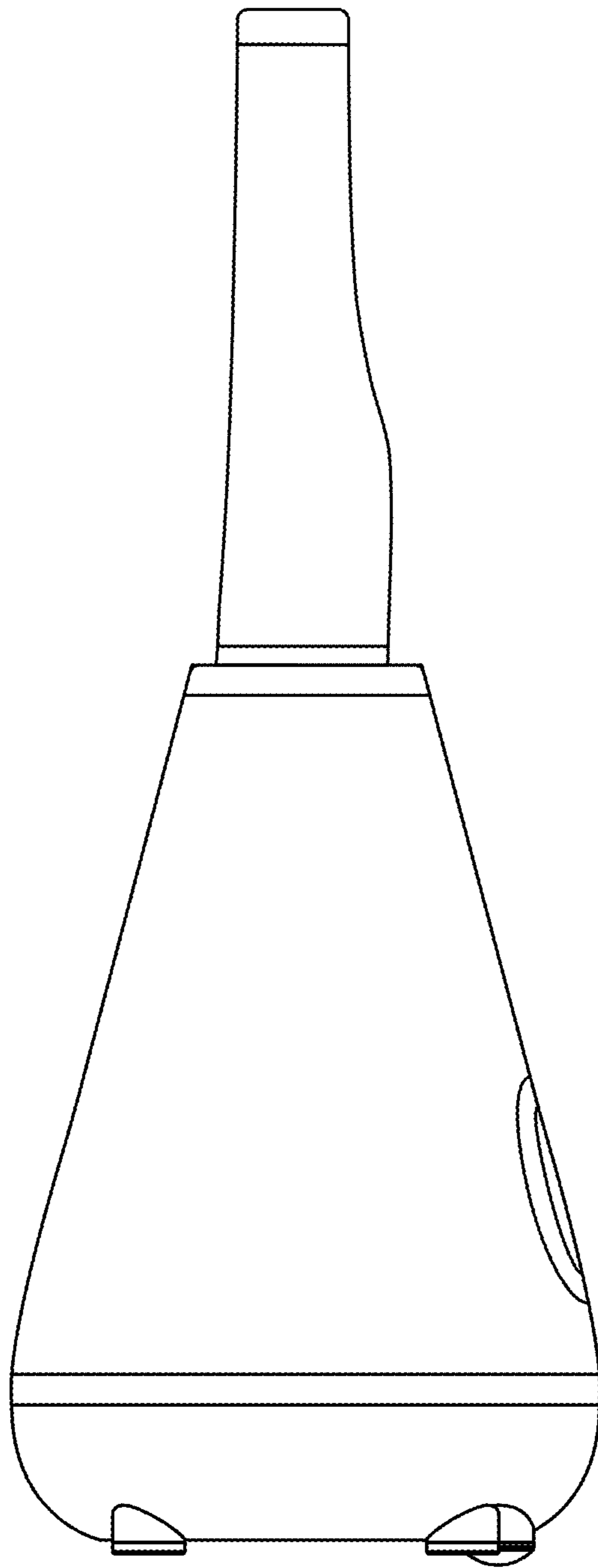


FIG. 4

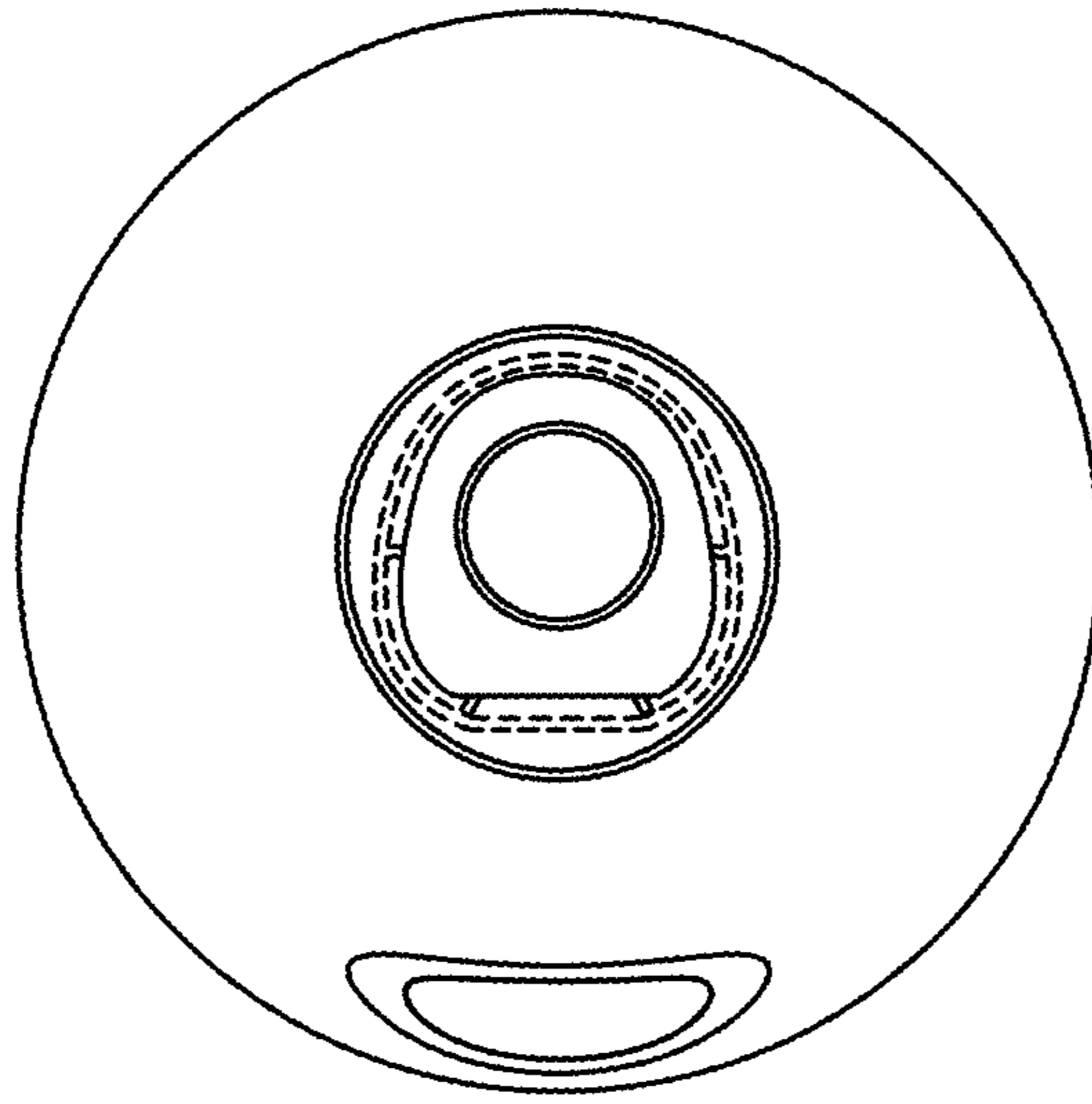


FIG. 5

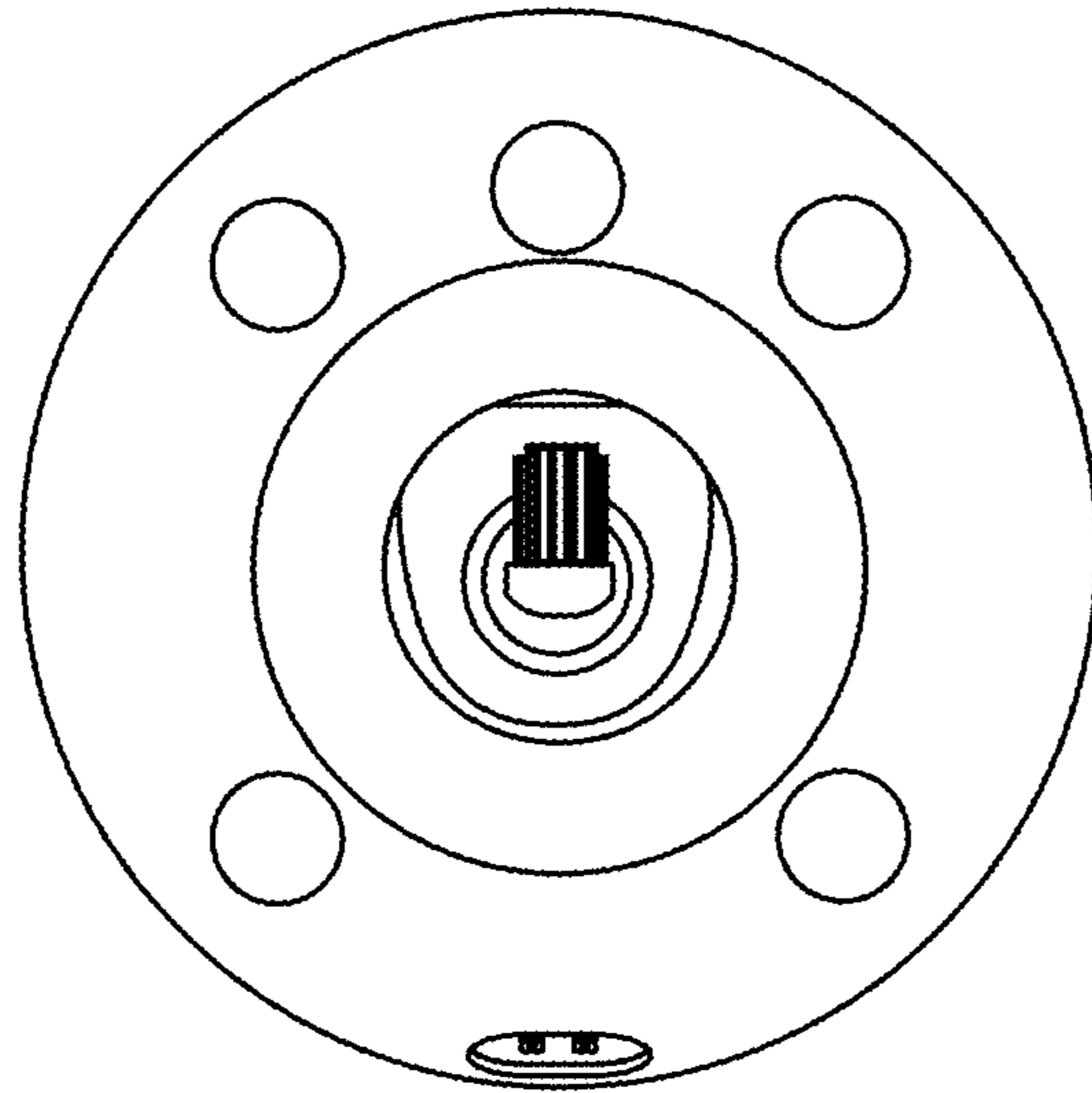


FIG. 6

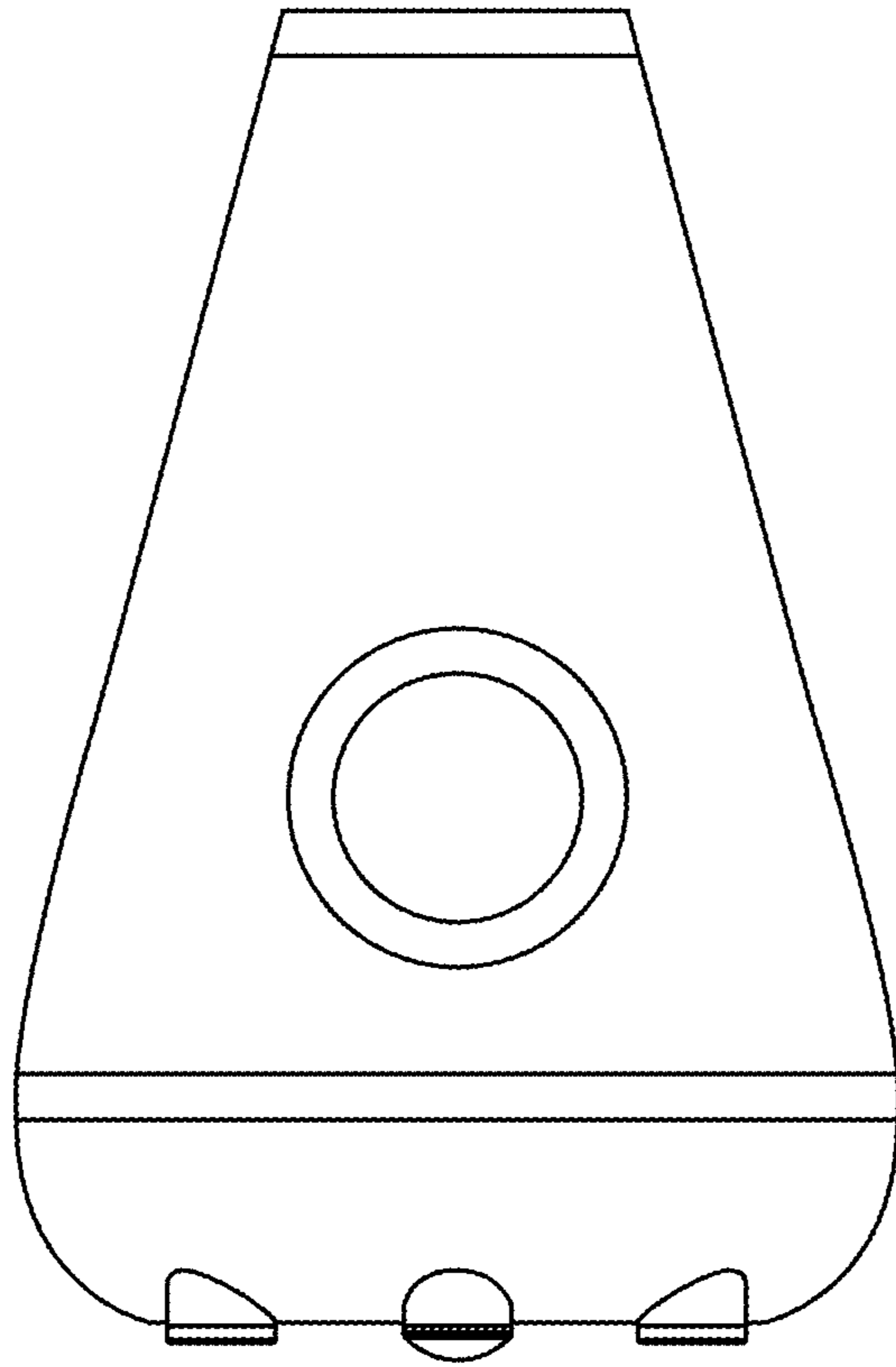


FIG. 7

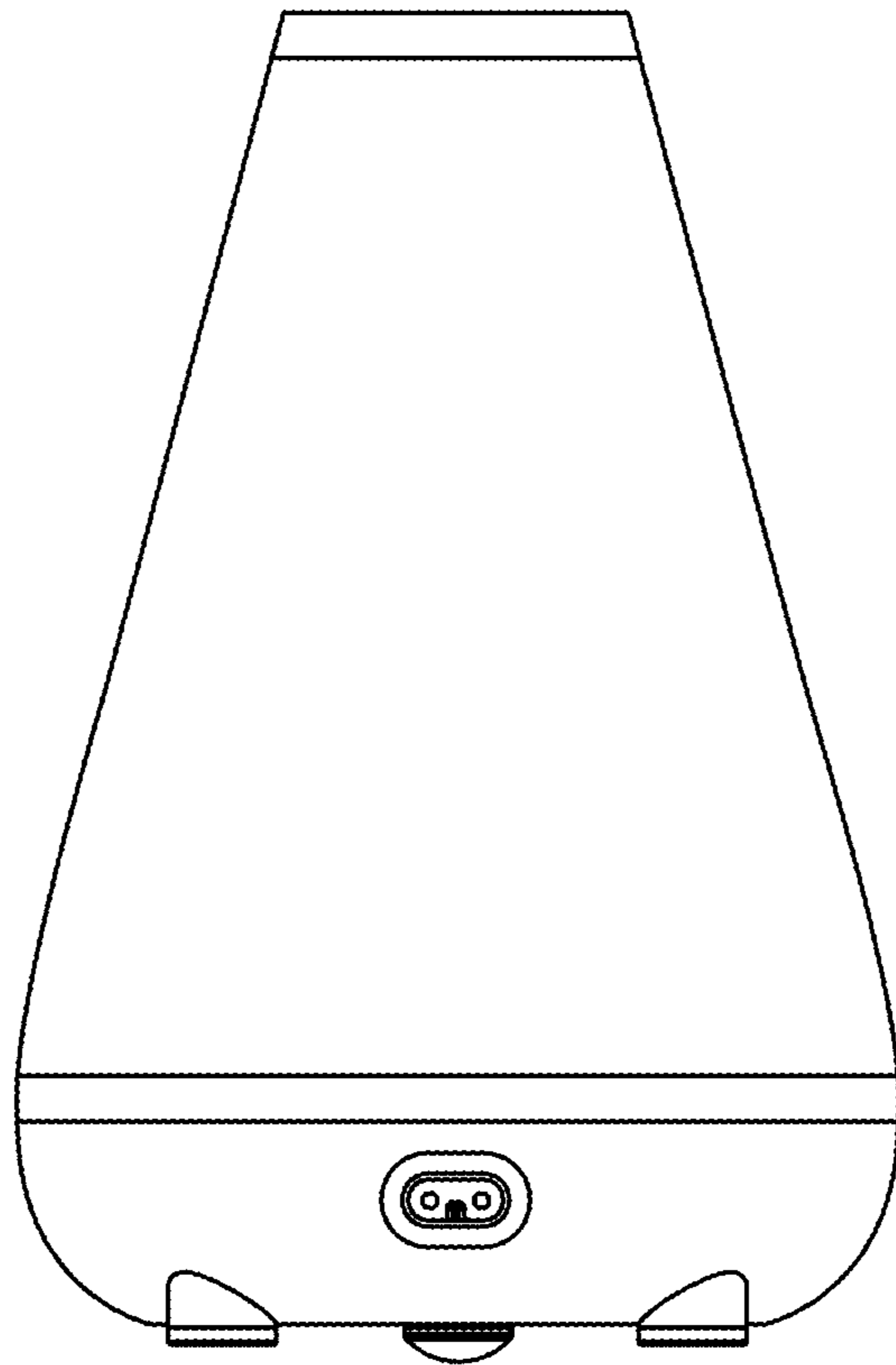


FIG. 8

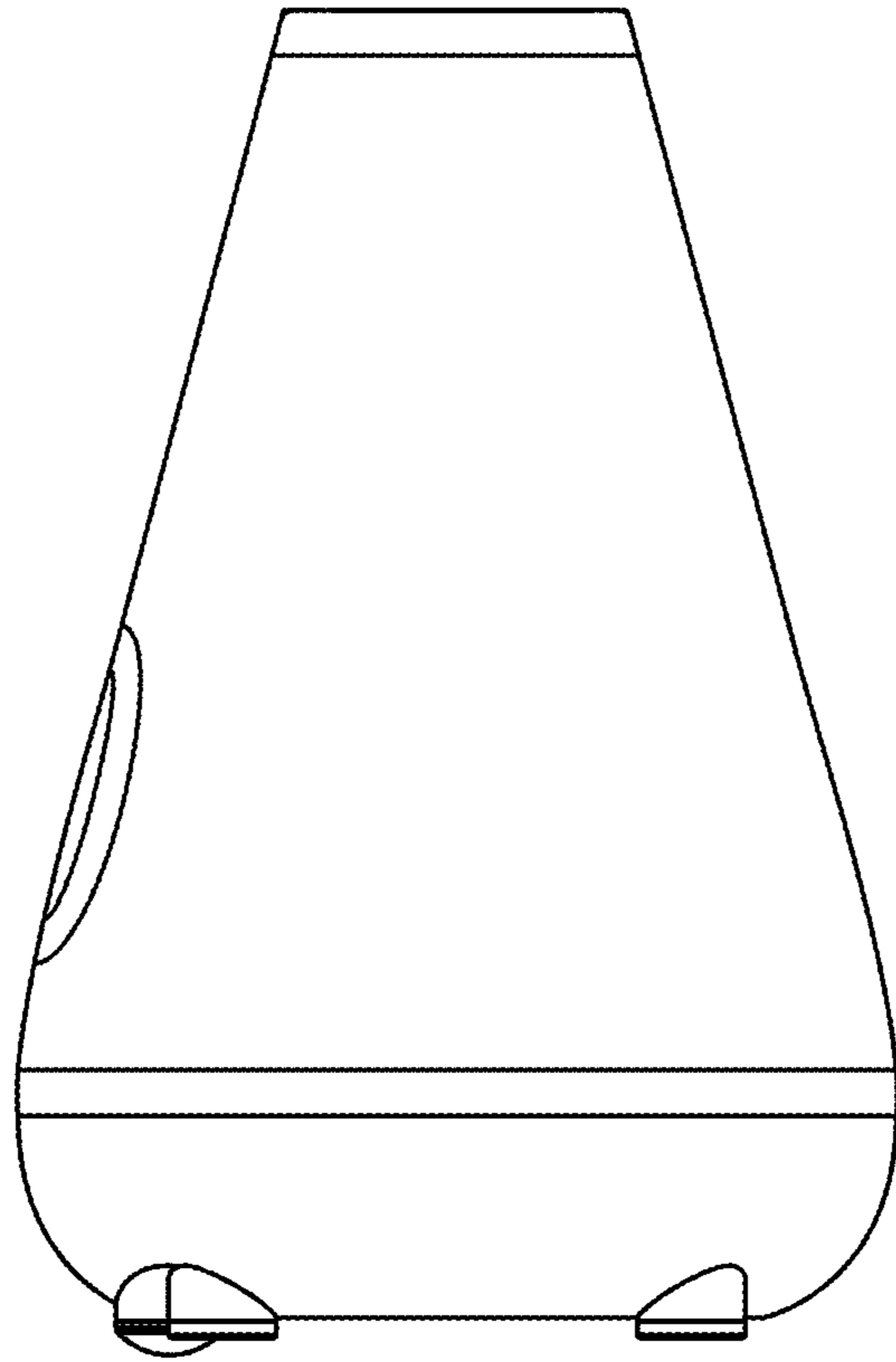


FIG. 9

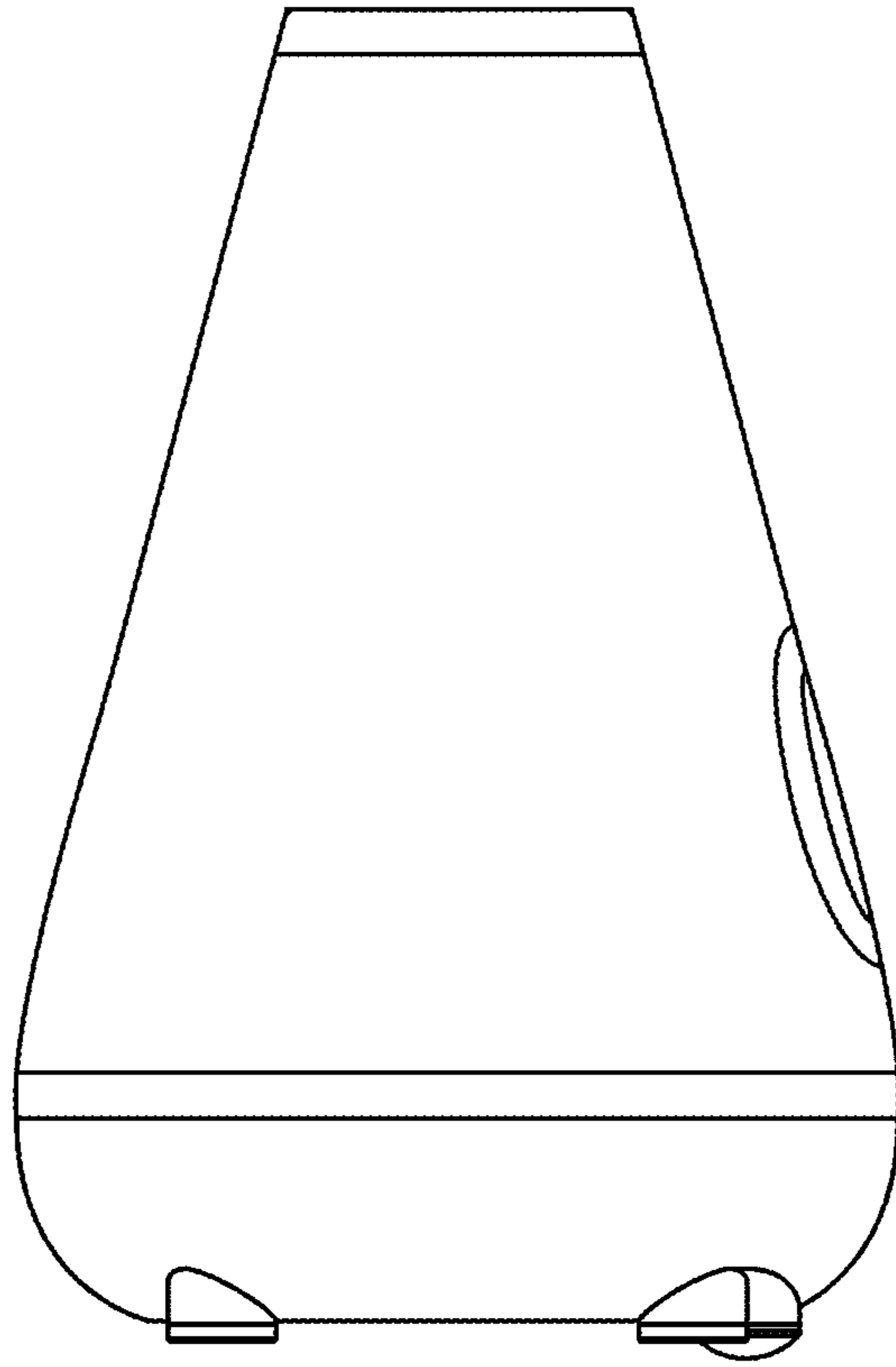


FIG. 10

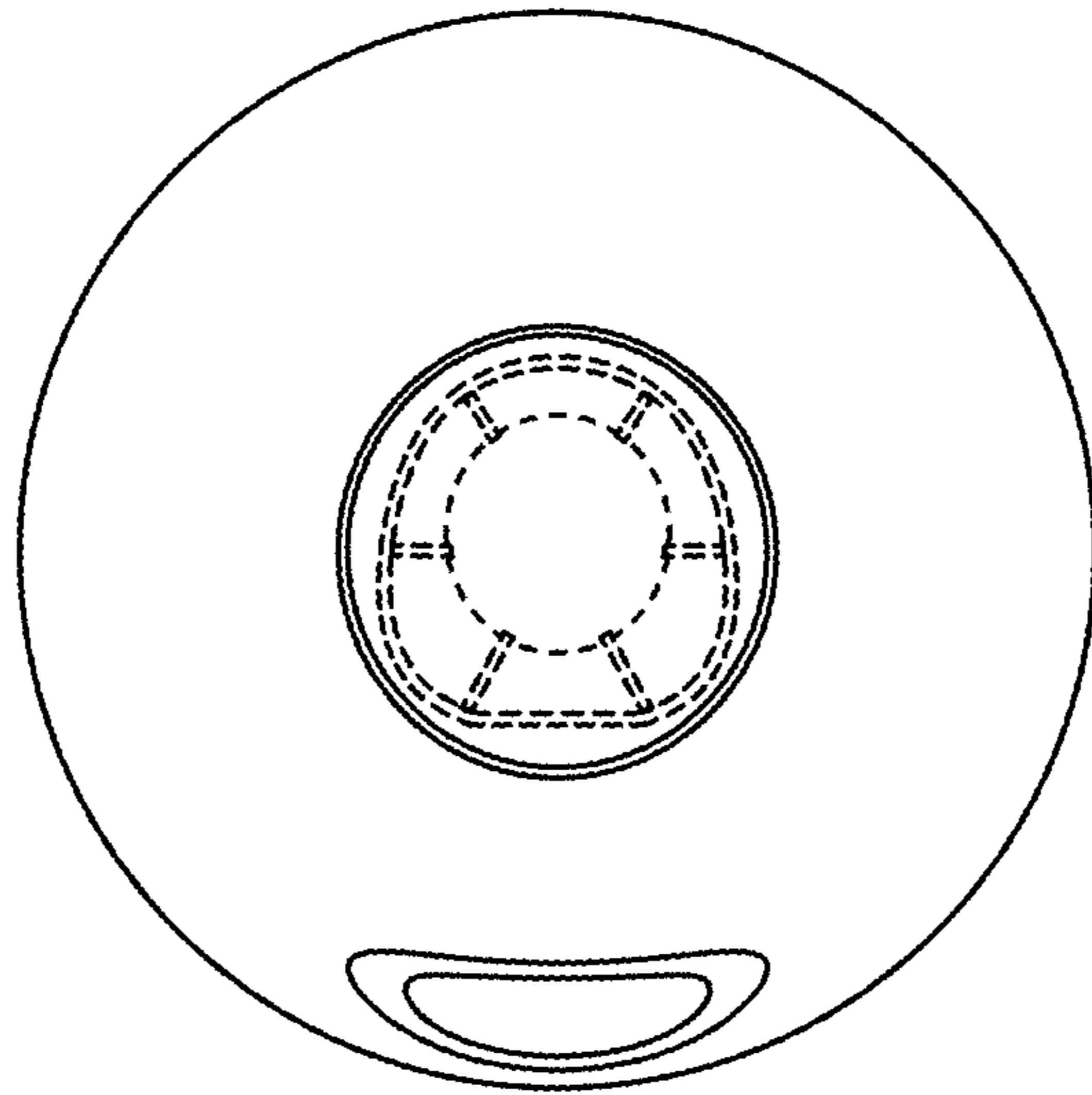


FIG. 11

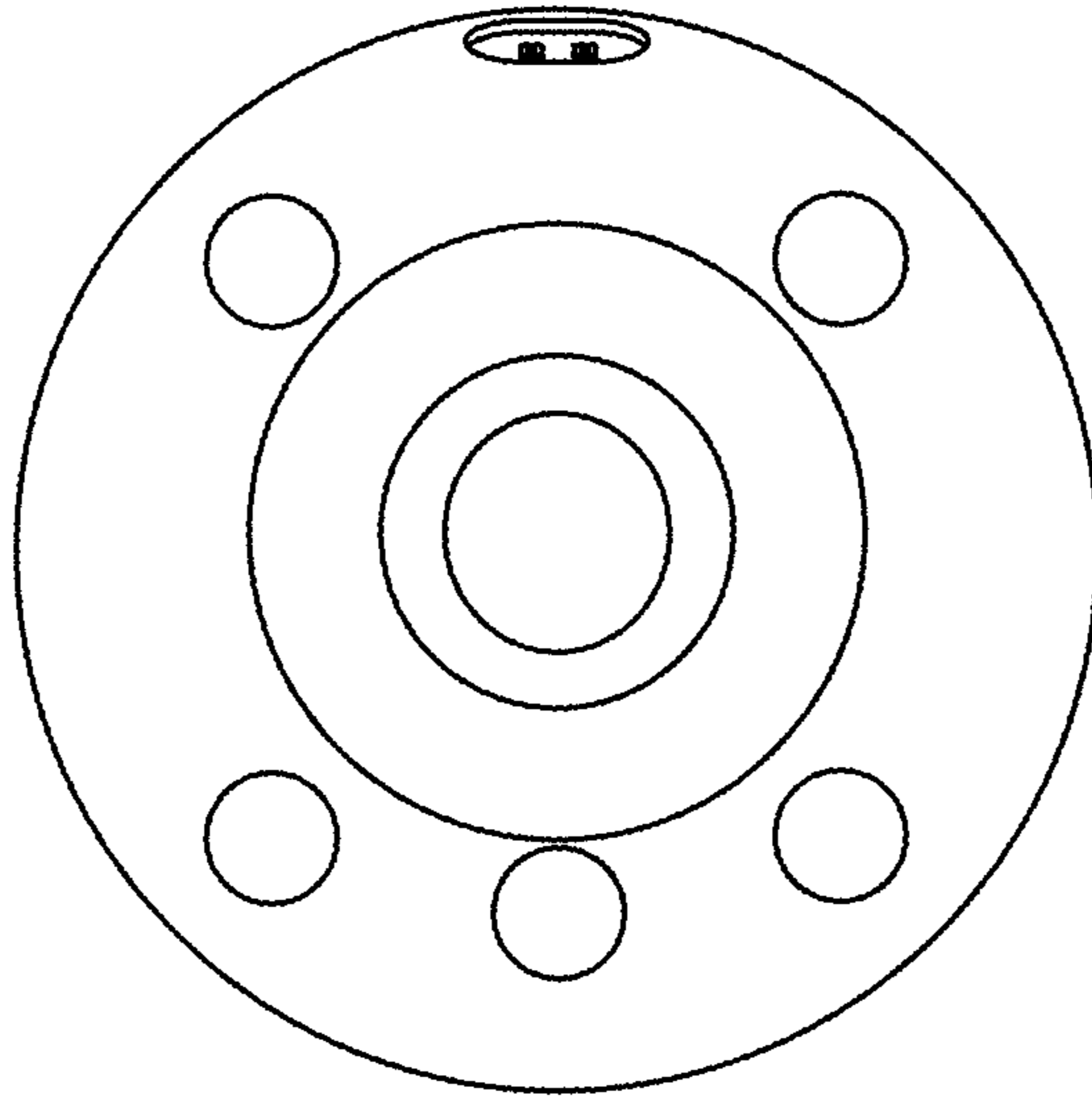


FIG. 12

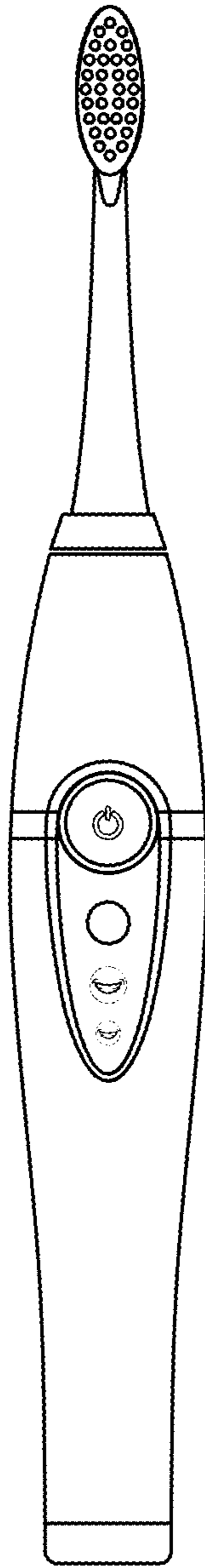


FIG. 13

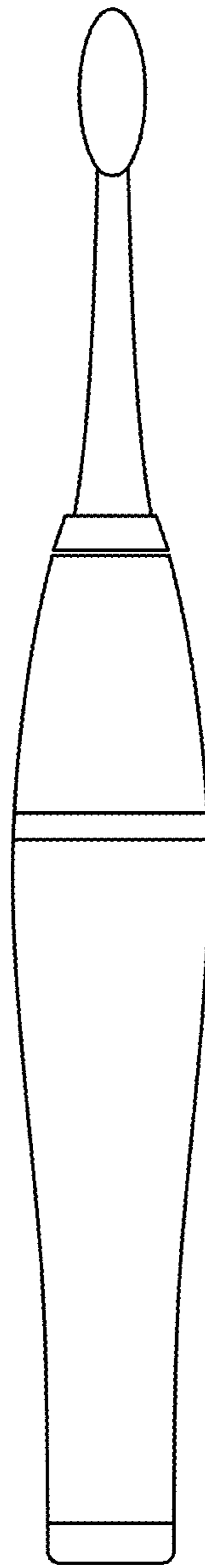


FIG. 14

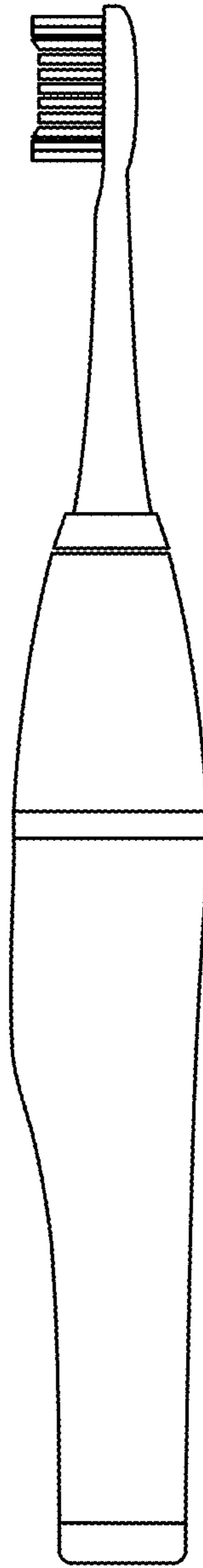


FIG. 15

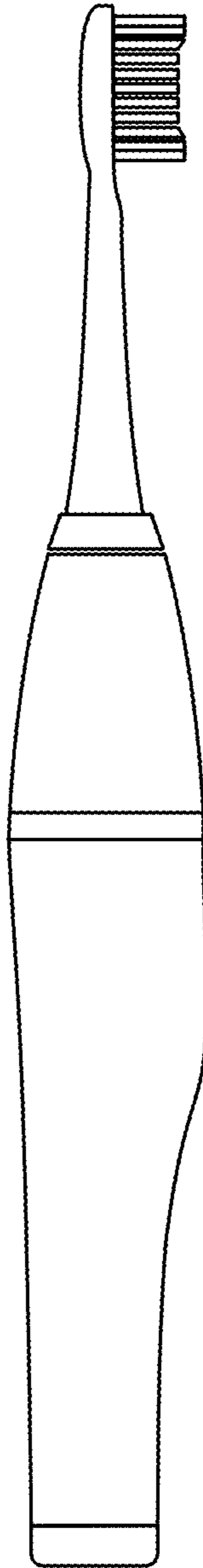


FIG. 16

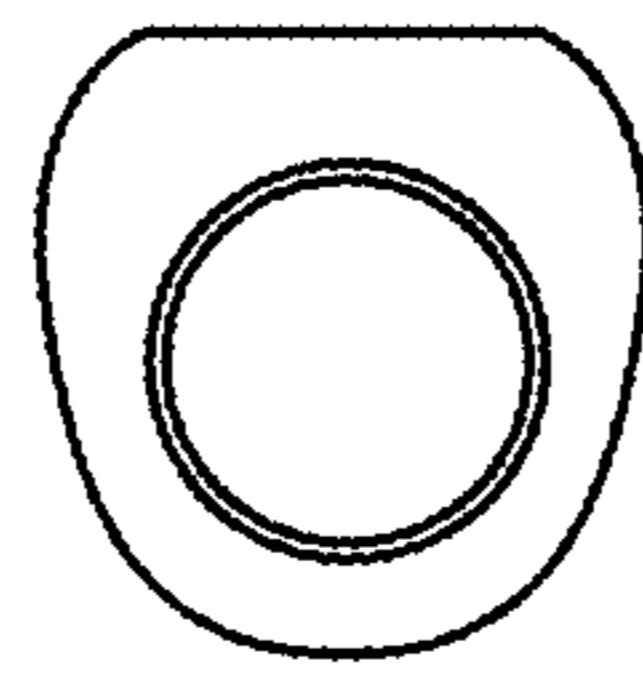


FIG. 17

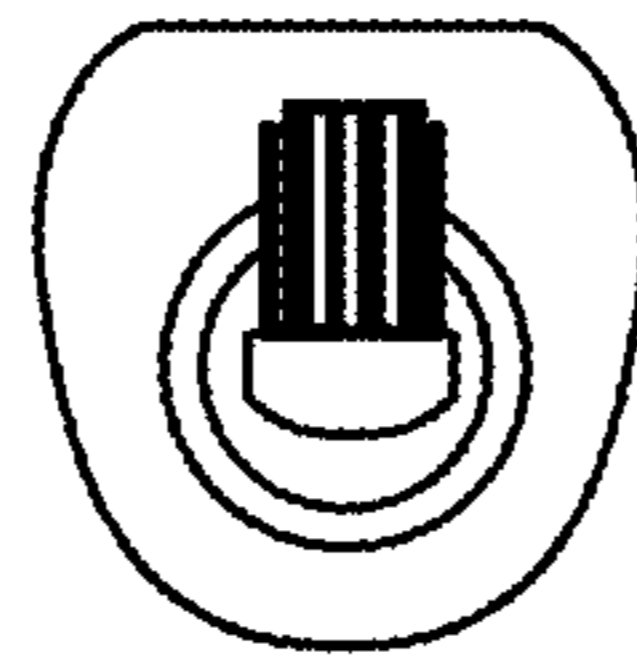


FIG. 18

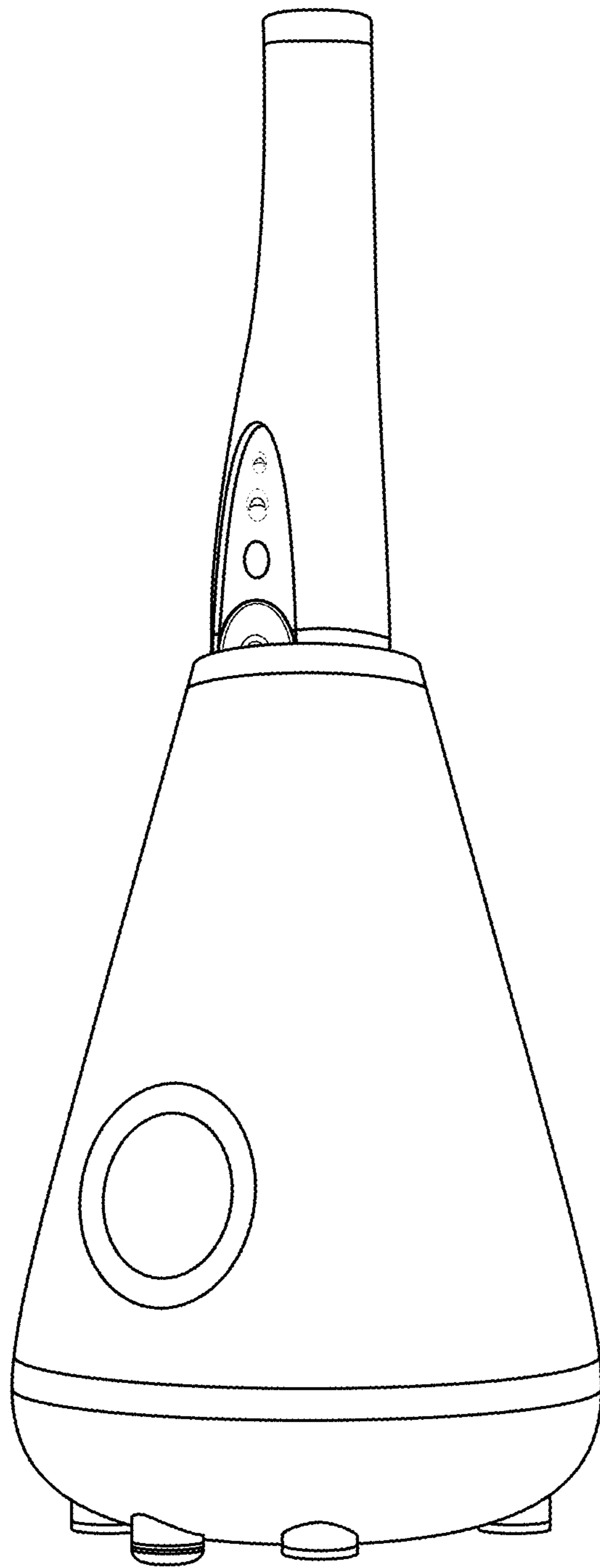


FIG. 19