



US00D830569S

(12) **United States Design Patent**  
**Solomon**

(10) **Patent No.:** **US D830,569 S**

(45) **Date of Patent:** **\*\* Oct. 9, 2018**

(54) **MESSAGE ROLLER**

(71) Applicant: **Daneen Solomon**, Anaheim, CA (US)

(72) Inventor: **Daneen Solomon**, Anaheim, CA (US)

(\*\*) Term: **15 Years**

(21) Appl. No.: **29/580,258**

(22) Filed: **Oct. 6, 2016**

(51) **LOC (11) Cl.** ..... **28-03**

(52) **U.S. Cl.**  
USPC ..... **D24/215**

(58) **Field of Classification Search**  
USPC ..... D24/200, 211, 212, 213, 214, 215;  
601/19, 22, 40, 46, 52, 63, 99, 110, 111,  
601/112, 113, 118, 119, 120, 125,  
601/DIG. 12-DIG. 17; D8/374, 375  
CPC ..... A61H 1/00; A61H 2015/0007; A61H  
2015/0014; A61H 2015/0042; A61H  
15/00; A61H 11/00; A61H 21/00; A61H  
37/00

See application file for complete search history.

(56) **References Cited**

U.S. PATENT DOCUMENTS

- 2,797,685 A \* 7/1957 Packwood ..... A61H 15/0092  
401/212
- D192,596 S \* 4/1962 Rice et al. .... D8/375
- 4,116,233 A \* 9/1978 Scaduto ..... A61H 15/0092  
601/113
- D358,894 S \* 5/1995 Ivy ..... D24/211
- D359,359 S \* 6/1995 Robertson ..... D24/211
- D359,360 S \* 6/1995 Ivy ..... D24/211
- D361,133 S \* 8/1995 Robertson ..... D24/211
- D378,539 S \* 3/1997 Scott ..... D24/211
- D403,076 S \* 12/1998 York ..... D24/214
- 6,309,331 B1 \* 10/2001 Raymond ..... A61H 15/00  
482/132
- D454,644 S \* 3/2002 York ..... D24/214

- D469,880 S \* 2/2003 York ..... D24/214
- D502,264 S \* 2/2005 Timmer ..... D24/211
- D507,057 S \* 7/2005 Timmer ..... D24/211
- D535,752 S \* 1/2007 Smith ..... D24/214
- 7,621,858 B2 \* 11/2009 Sheron ..... A63B 21/0618  
482/129
- D633,299 S \* 3/2011 Moon ..... D3/318
- D720,385 S \* 12/2014 Lampp ..... D16/245
- D721,497 S \* 1/2015 Parker ..... D3/318
- D726,028 S \* 4/2015 Thompson ..... D28/7
- D741,599 S \* 10/2015 Parker ..... D3/318
- D753,920 S \* 4/2016 Parker ..... D3/318
- D755,524 S \* 5/2016 Parker ..... D3/318
- D762,309 S \* 7/2016 Cohen ..... D24/211
- D765,873 S \* 9/2016 Hetzel ..... D24/214
- D767,280 S \* 9/2016 Parker ..... D3/318
- D789,548 S \* 6/2017 Cheng ..... D24/211
- D806,889 S \* 1/2018 Holland ..... D24/211
- 2015/0223970 A1 \* 8/2015 Holland ..... A61F 7/10  
601/19

\* cited by examiner

*Primary Examiner* — Sandra Snapp

(74) *Attorney, Agent, or Firm* — Clement Cheng

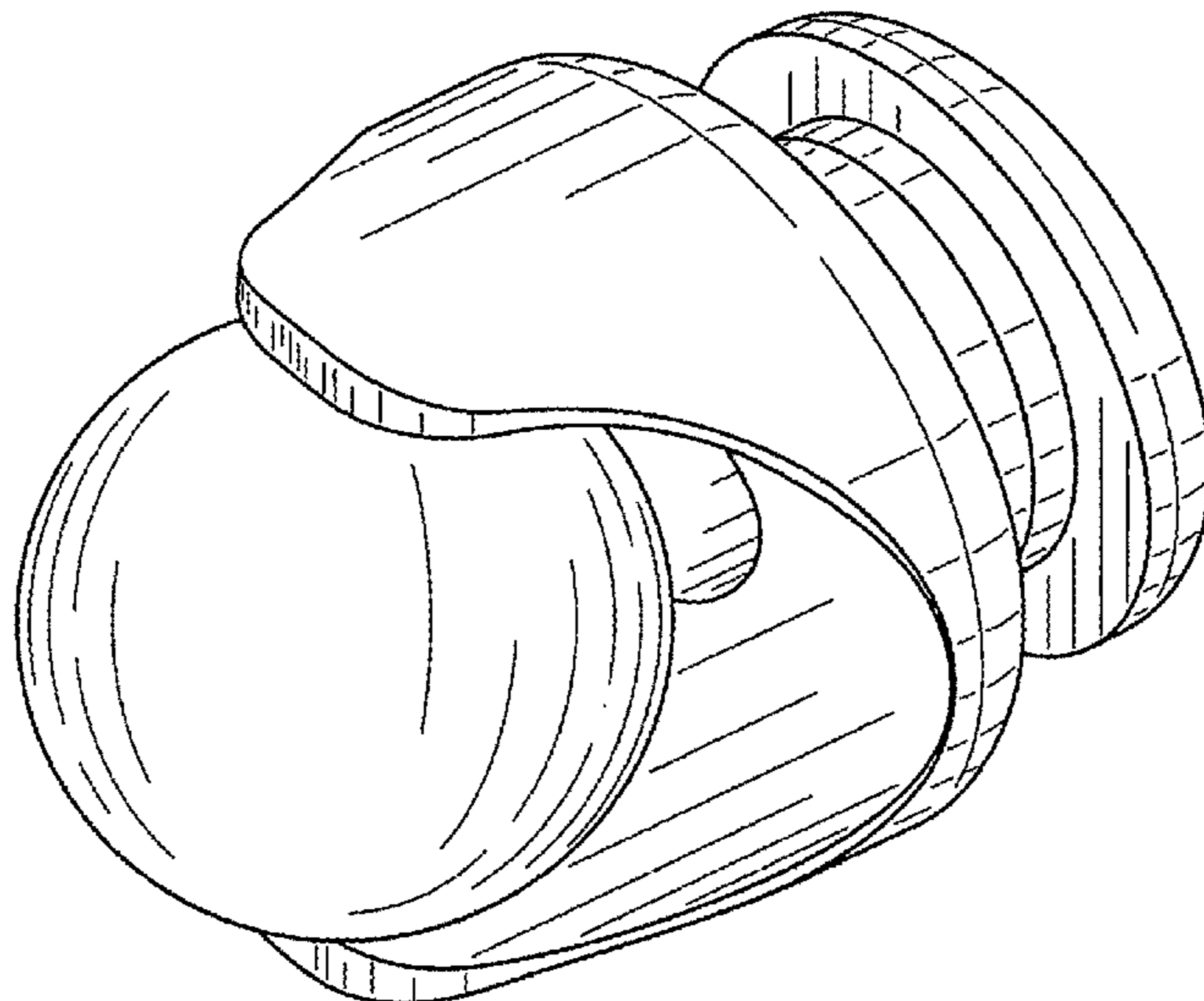
(57) **CLAIM**

The ornamental design for a massage roller, as shown and described.

**DESCRIPTION**

- FIG. 1 is a front perspective view.
- FIG. 2 is a front view.
- FIG. 3 is a rear view.
- FIG. 4 is a left side view.
- FIG. 5 is a right side view.
- FIG. 6 is a top view.
- FIG. 7 is a bottom view; and,
- FIG. 8 is a rear perspective view.

**1 Claim, 5 Drawing Sheets**



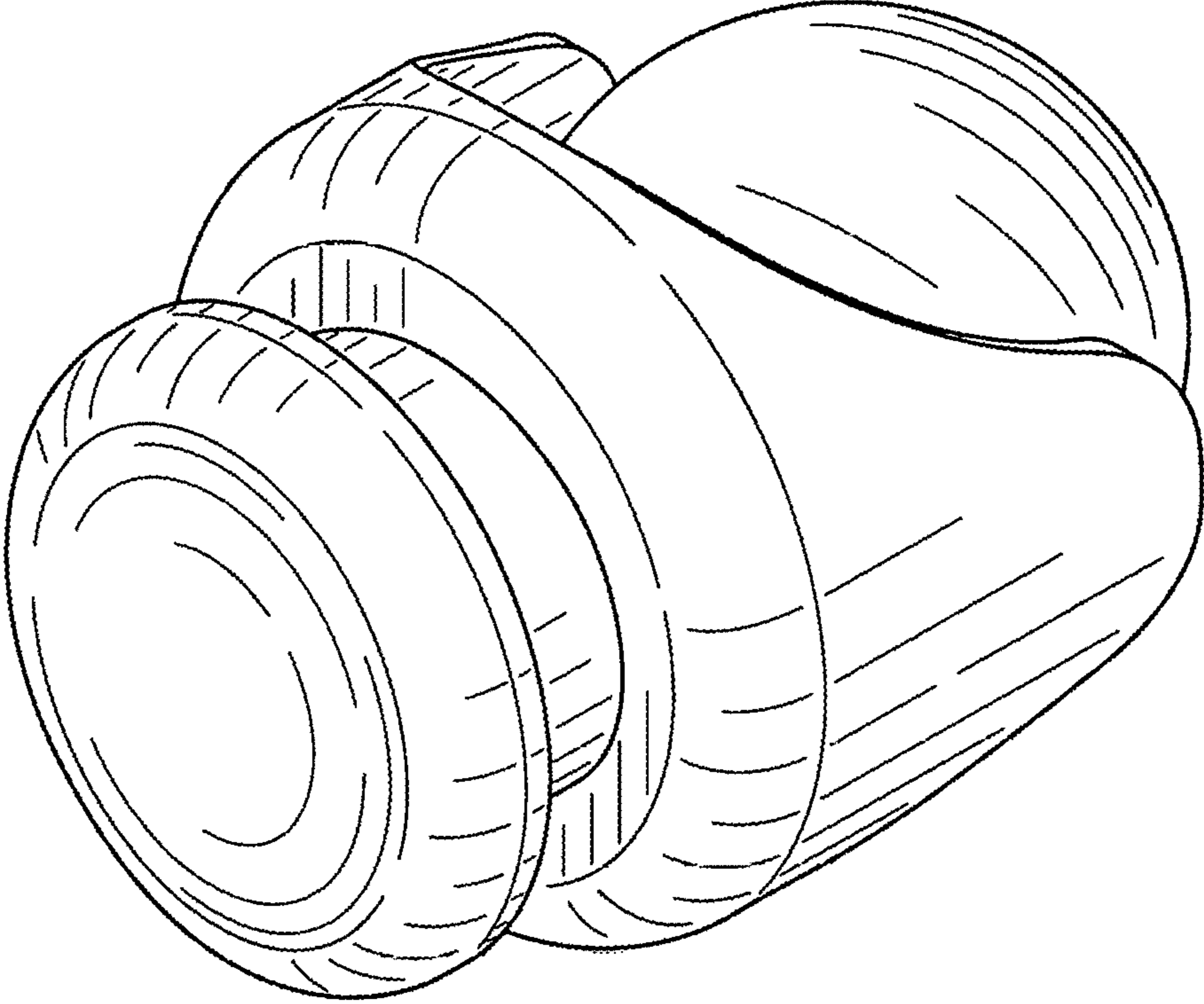


FIG. 1

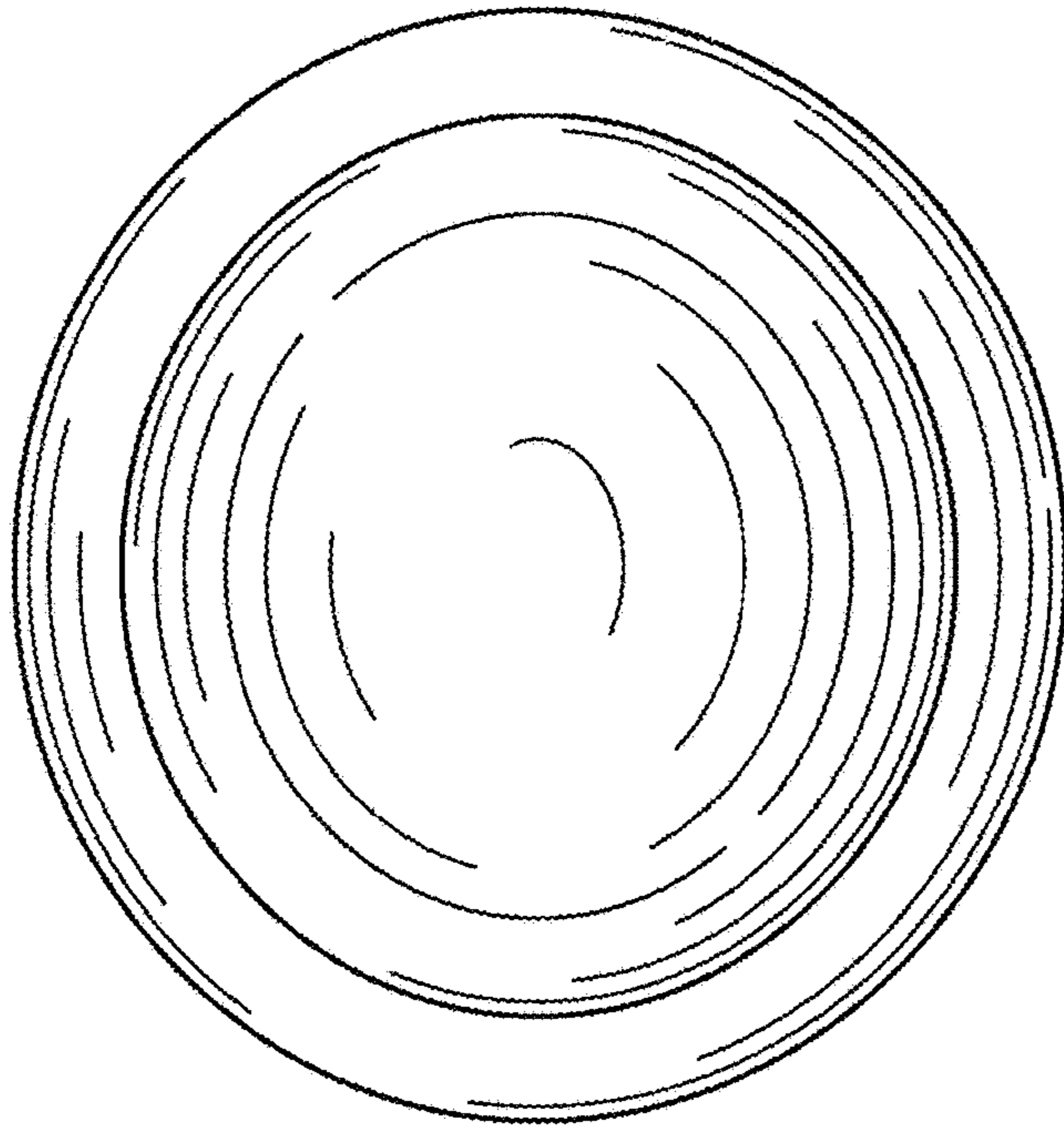


FIG. 2

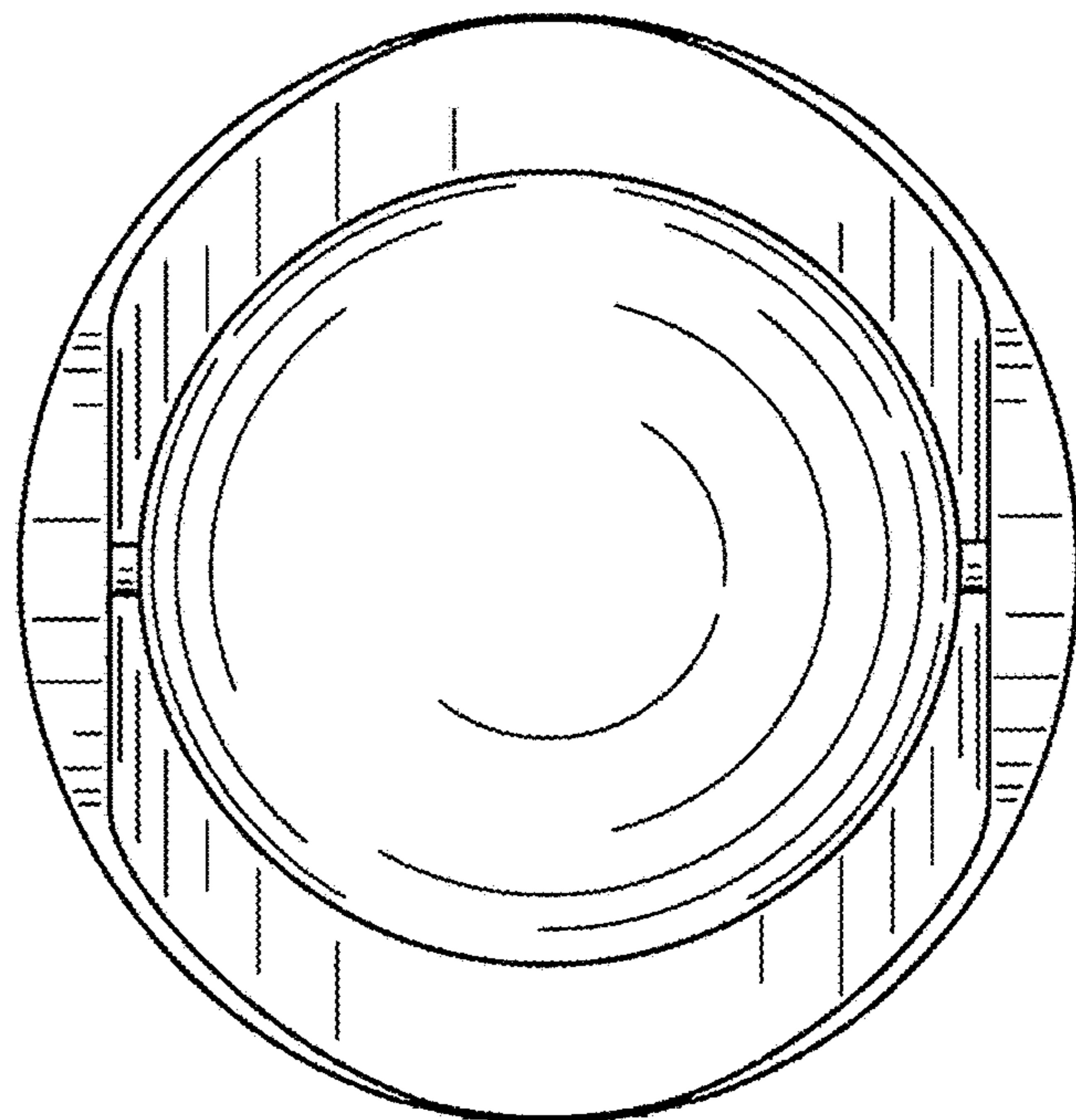


FIG. 3

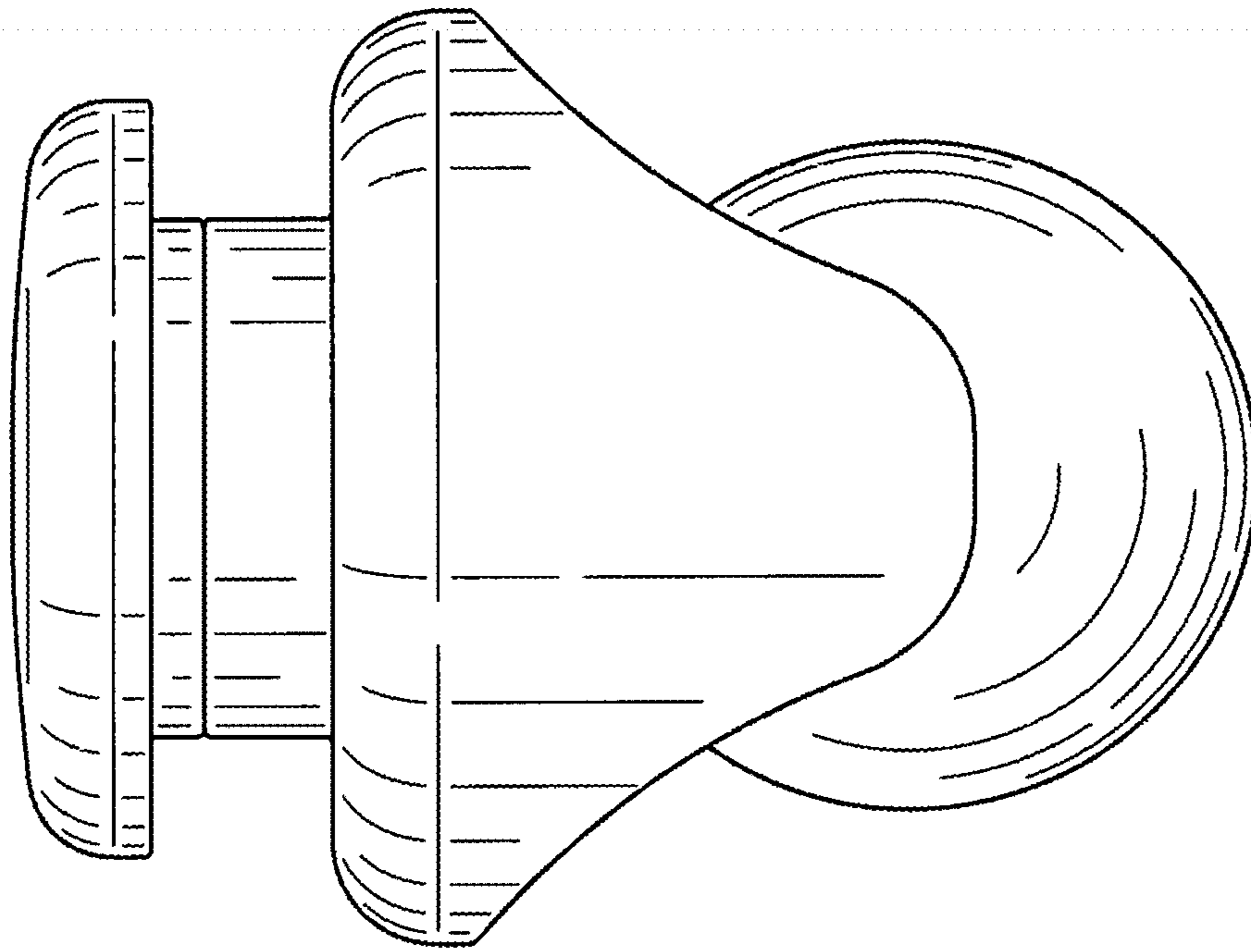


FIG. 4

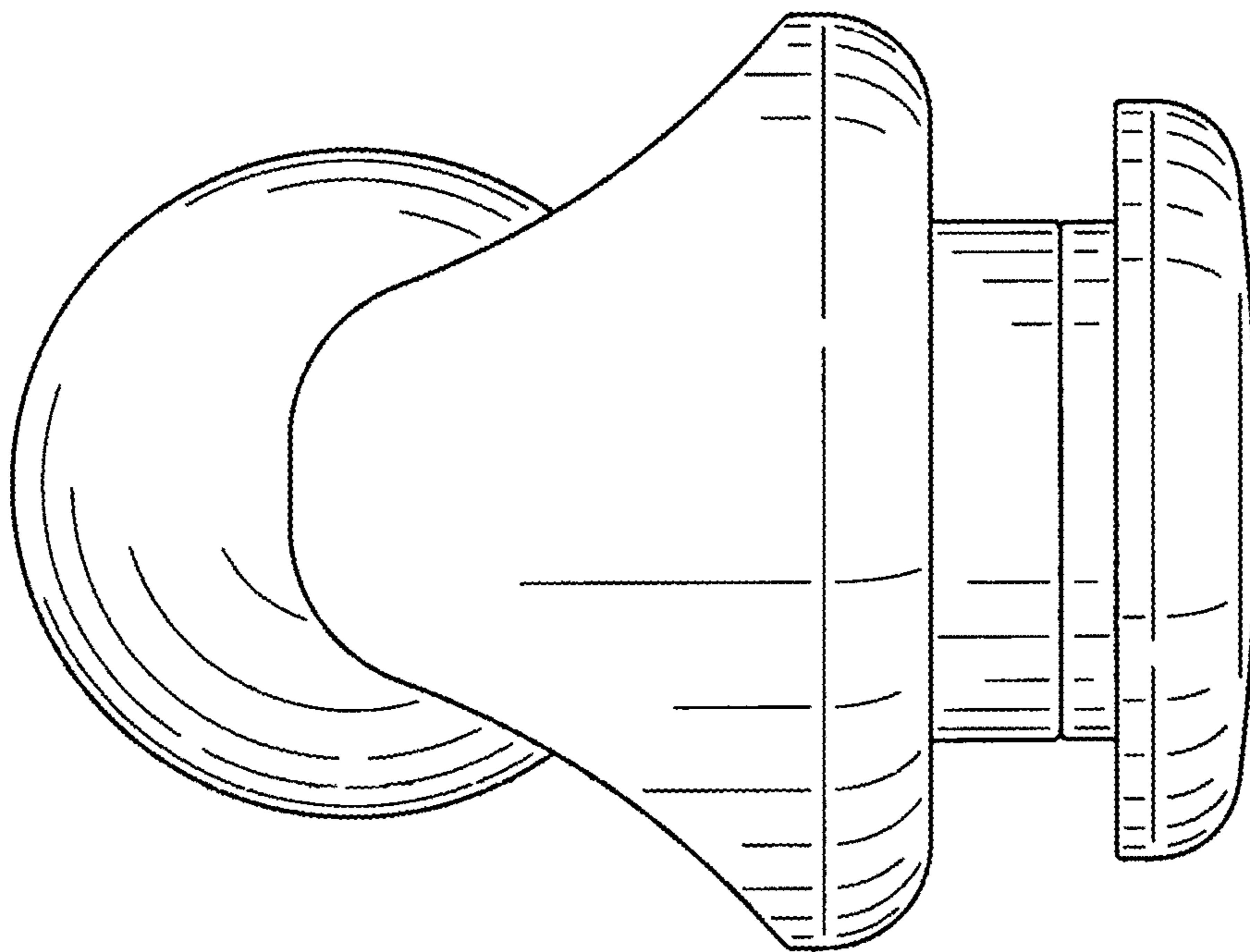


FIG. 5

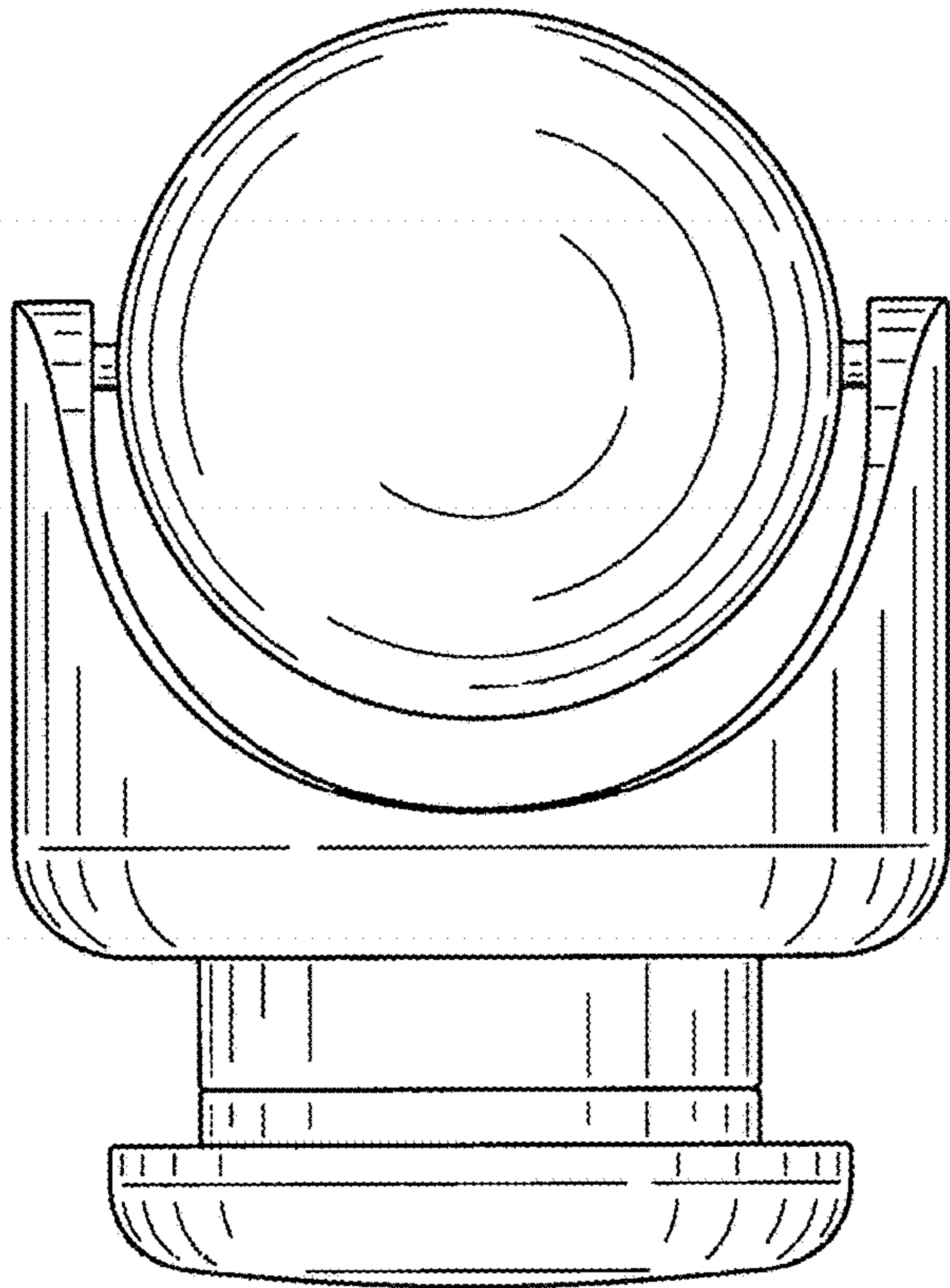


FIG. 6

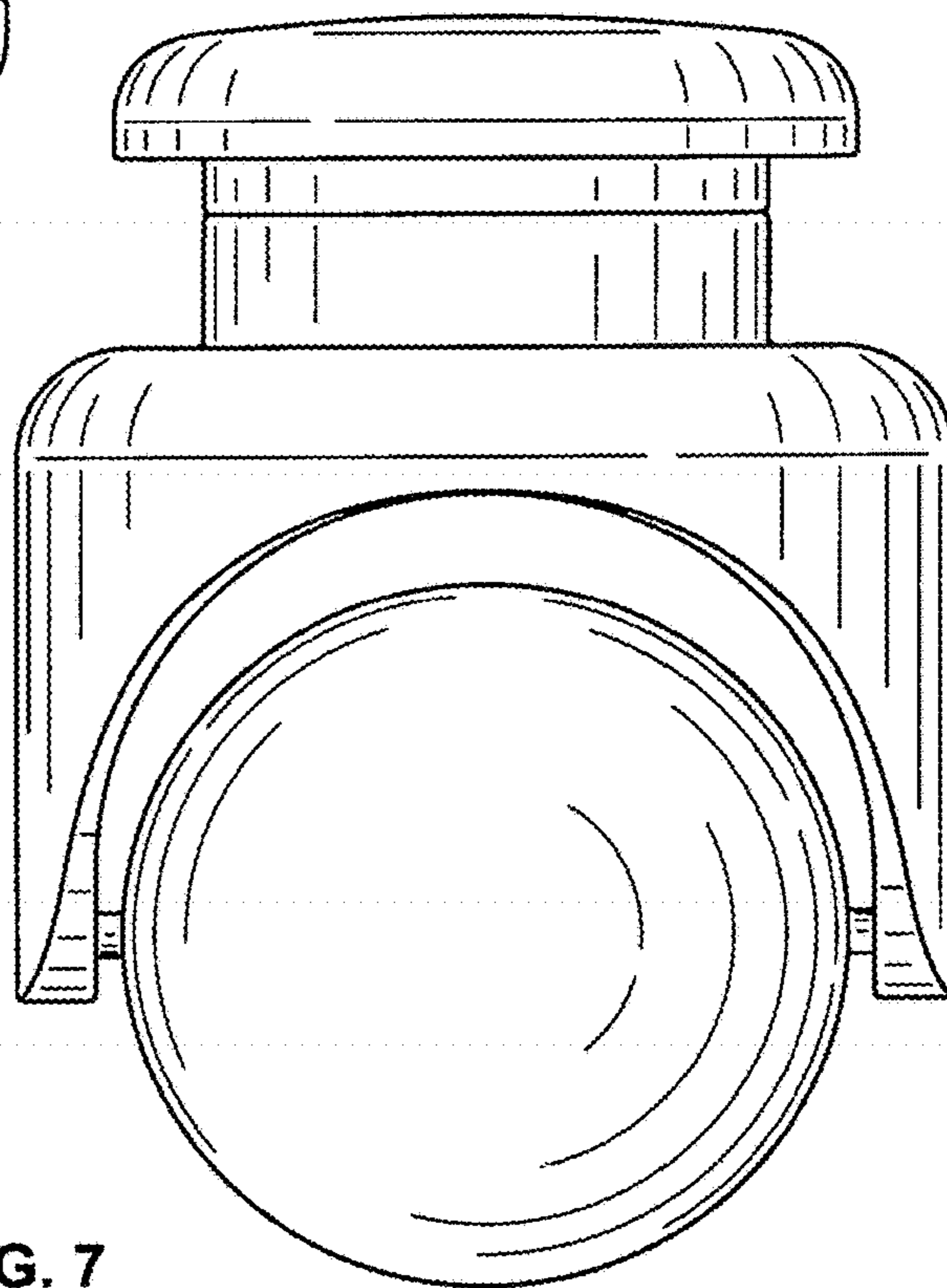


FIG. 7

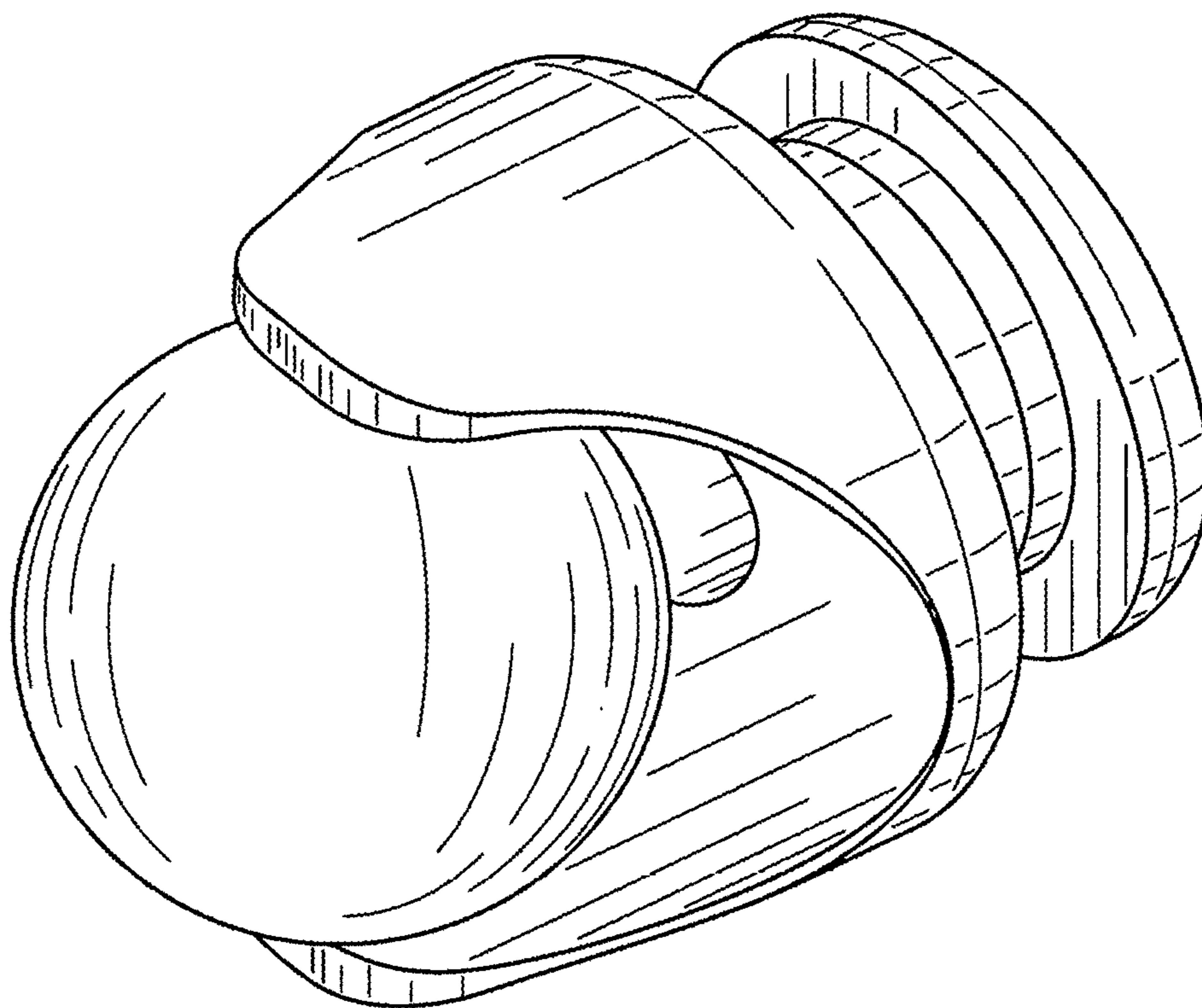


FIG. 8