



US00D830567S

(12) **United States Design Patent** (10) **Patent No.:** **US D830,567 S**  
**Ashley** (45) **Date of Patent:** **\*\* Oct. 9, 2018**

(54) **MEIBOMIAN GLAND EXPRESSION DEVICE**

(71) Applicant: **Ashley Ophthalmics, LLC**, Vicksburg, MS (US)

(72) Inventor: **Miles David Ashley**, Vicksburg, MS (US)

(73) Assignee: **Ashley Ophthalmics, LLC**, Vicksburg, MS (US)

(\*\*) Term: **15 Years**

(21) Appl. No.: **29/592,642**

(22) Filed: **Feb. 1, 2017**

(51) **LOC (11) Cl.** ..... **28-03**

(52) **U.S. Cl.**  
USPC ..... **D24/214**

(58) **Field of Classification Search**  
USPC .... 601/1, 15, 18, 19, 27, 28-32, 46, 47, 48, 601/52, 99, 112, 113, 118, 135, 137, 601/DIG. 12, DIG. 14, DIG. 15, DIG. 16, 601/DIG. 17; D24/120, 150, 200, 209, D24/211, 212, 213, 214, 215, 216; 604/289

CPC ..... A61F 2007/0087; A61F 9/00772; A61F 9/0026; A61H 2205/024; A61B 3/10; A61B 18/08; A61B 3/101

See application file for complete search history.

(56) **References Cited**

**U.S. PATENT DOCUMENTS**

- 4,554,911 A 11/1985 Nielsen
- 5,154,710 A \* 10/1992 Williams ..... A61F 9/0026 604/301
- D358,894 S \* 5/1995 Ivy ..... D24/214
- D413,668 S \* 9/1999 Mannberg ..... D24/120
- 8,956,311 B2 2/2015 Korb et al.
- D739,543 S \* 9/2015 Ma ..... D24/215
- D748,247 S \* 1/2016 MacRae ..... D24/120

- D765,870 S \* 9/2016 Sedic ..... D24/200
- 2008/0082057 A1 \* 4/2008 Korb ..... A61B 3/101 604/289
- 2012/0165798 A1 6/2012 Rathjen
- 2013/0046367 A1 \* 2/2013 Chen ..... A61B 18/08 607/113
- 2014/0378878 A1 12/2014 Sharma et al.
- 2016/0317379 A1 11/2016 Mosaddegh

**FOREIGN PATENT DOCUMENTS**

- CN 203802769 U 9/2014
- CN 203815840 9/2014
- CN 05234758 5/2016

(Continued)

*Primary Examiner* — Cynthia Ramirez

*Assistant Examiner* — Michael A Maharajh

(74) *Attorney, Agent, or Firm* — Veritay Group, IP; Susan B. Fentress

(57) **CLAIM**

The ornamental design for a meibomian gland expression device, as shown and described.

**DESCRIPTION**

FIG. 1 is an isometric view of a meibomian gland expression device of my new design.

FIG. 2 is a left side view of the meibomian gland expression device shown in FIG. 1.

FIG. 3 is a rear view of the meibomian gland expression device shown in FIG. 1.

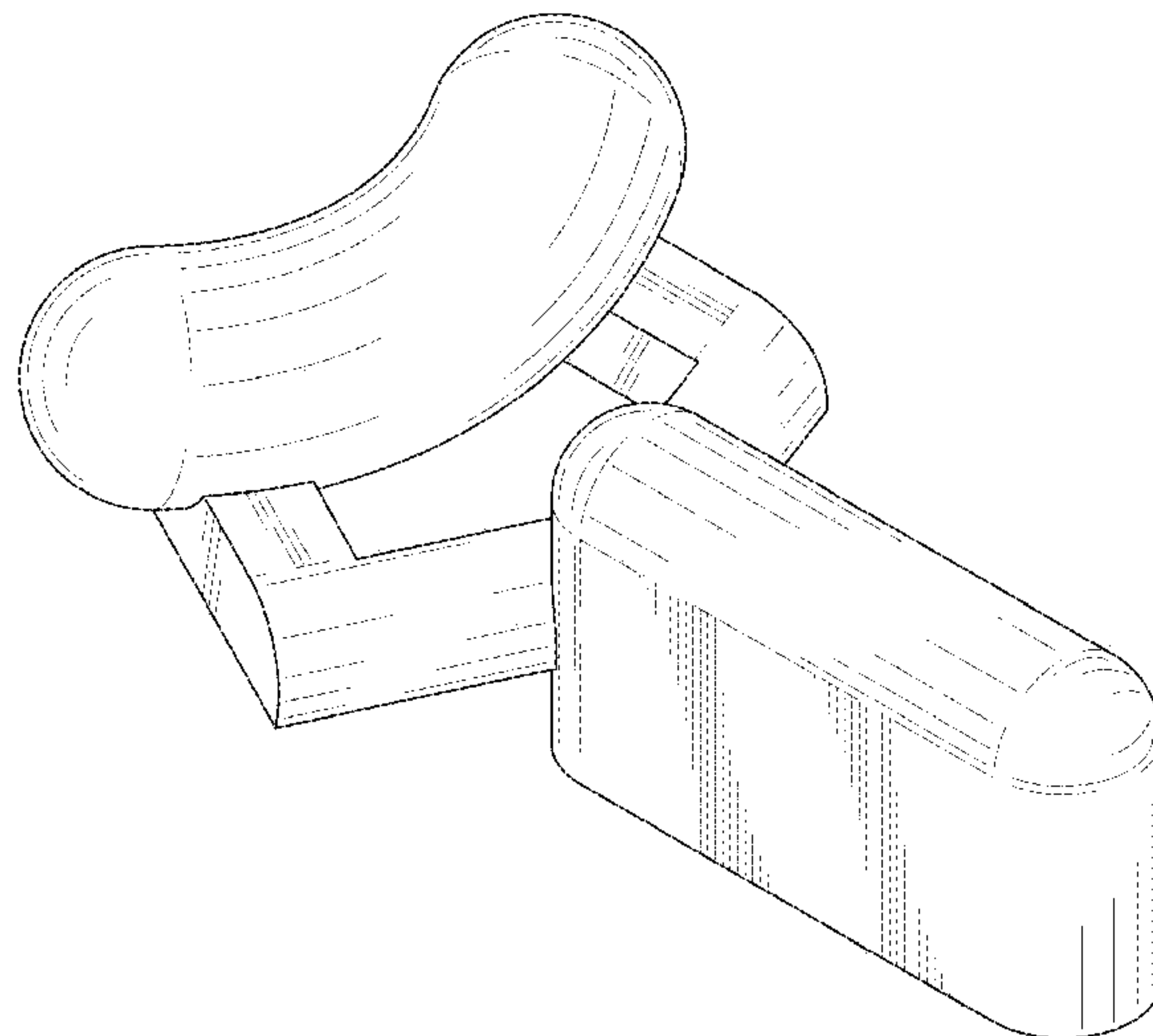
FIG. 4 is a right side view of the meibomian gland expression device shown in FIG. 1.

FIG. 5 is a front view of the meibomian gland expression device shown in FIG. 1.

FIG. 6 is a top view of the meibomian gland expression device shown in FIG. 1; and,

FIG. 7 is a bottom view of the meibomian gland expression device shown in FIG. 1.

**1 Claim, 6 Drawing Sheets**



(56)

**References Cited**

FOREIGN PATENT DOCUMENTS

CN	205411437	8/2016
CN	205515165 U	8/2016
CN	205598181	9/2016
WO	2015139869 A1	9/2015

\* cited by examiner

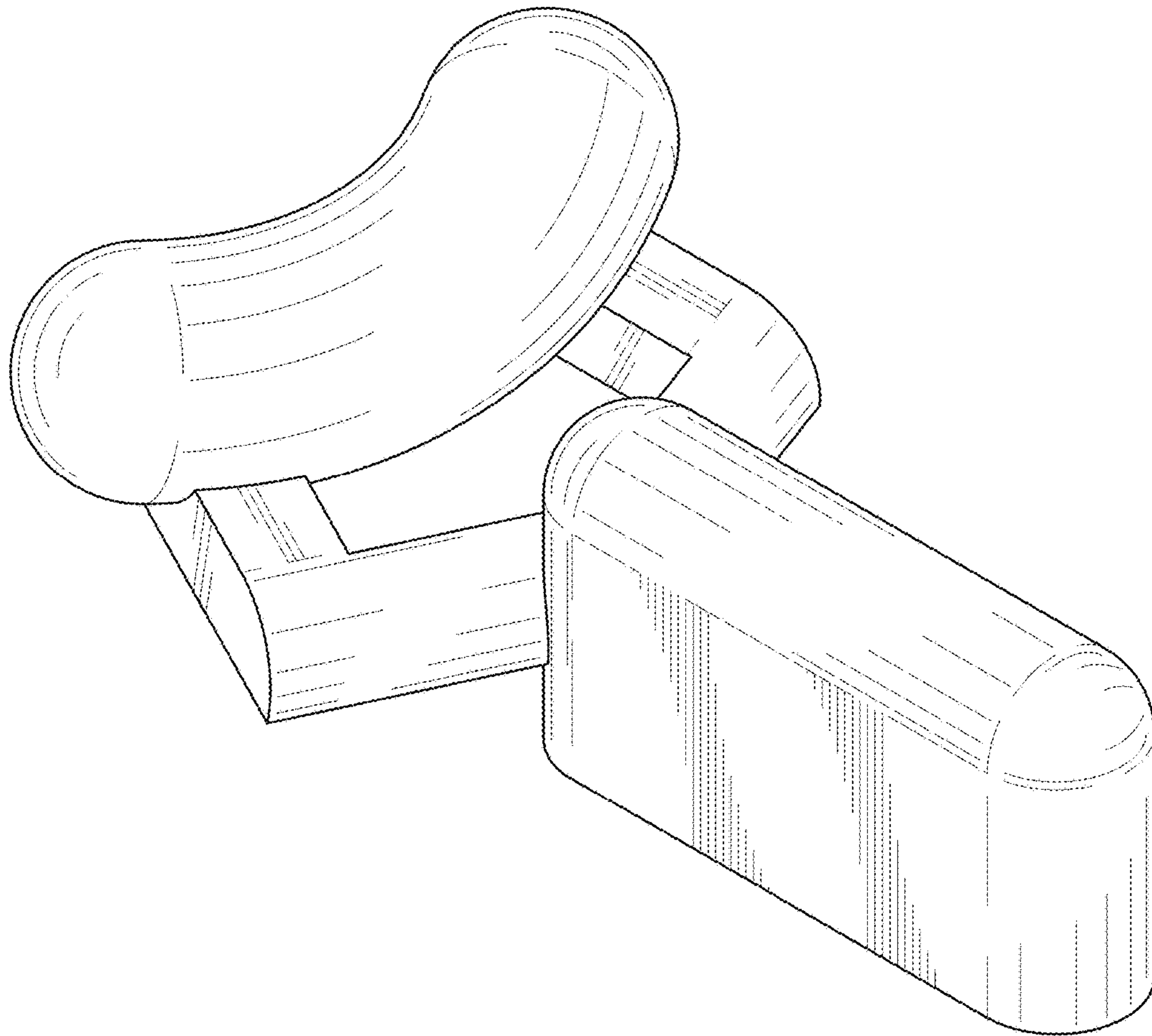


FIG. 1

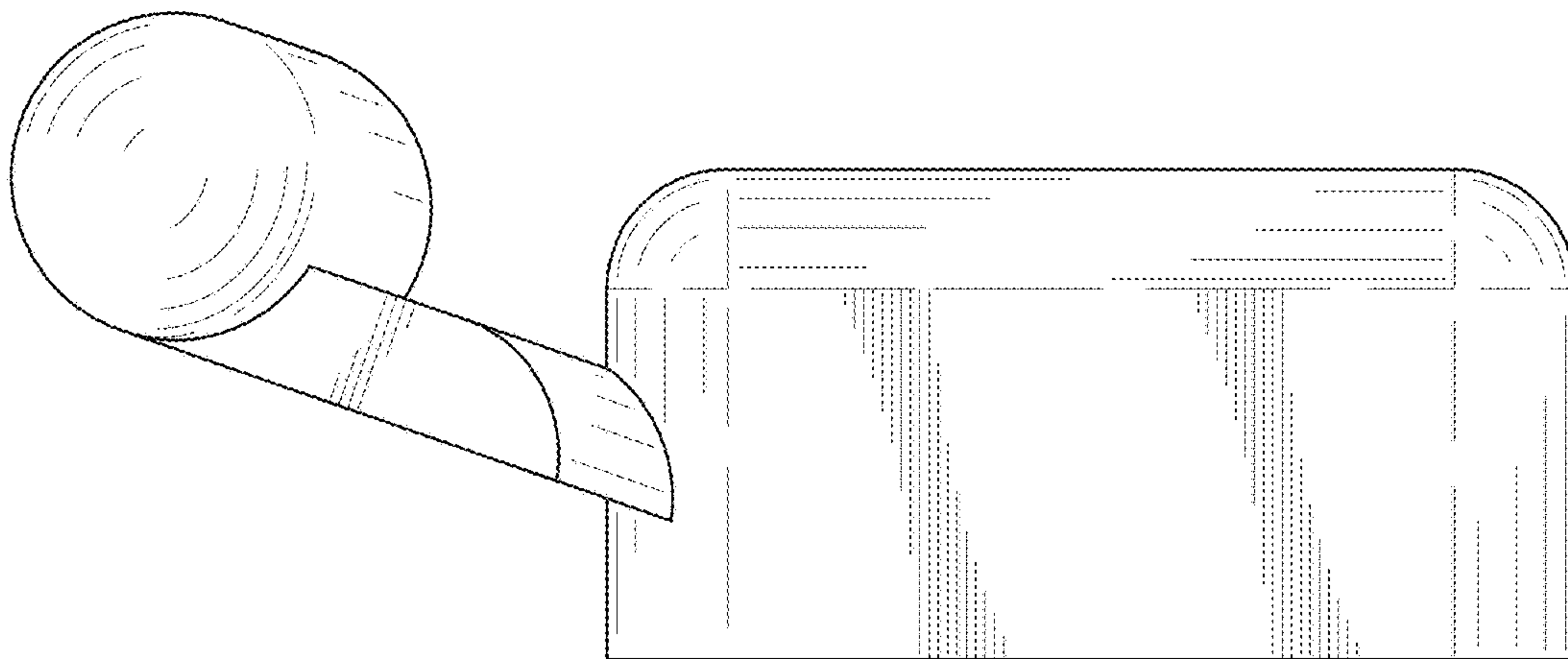


FIG. 2

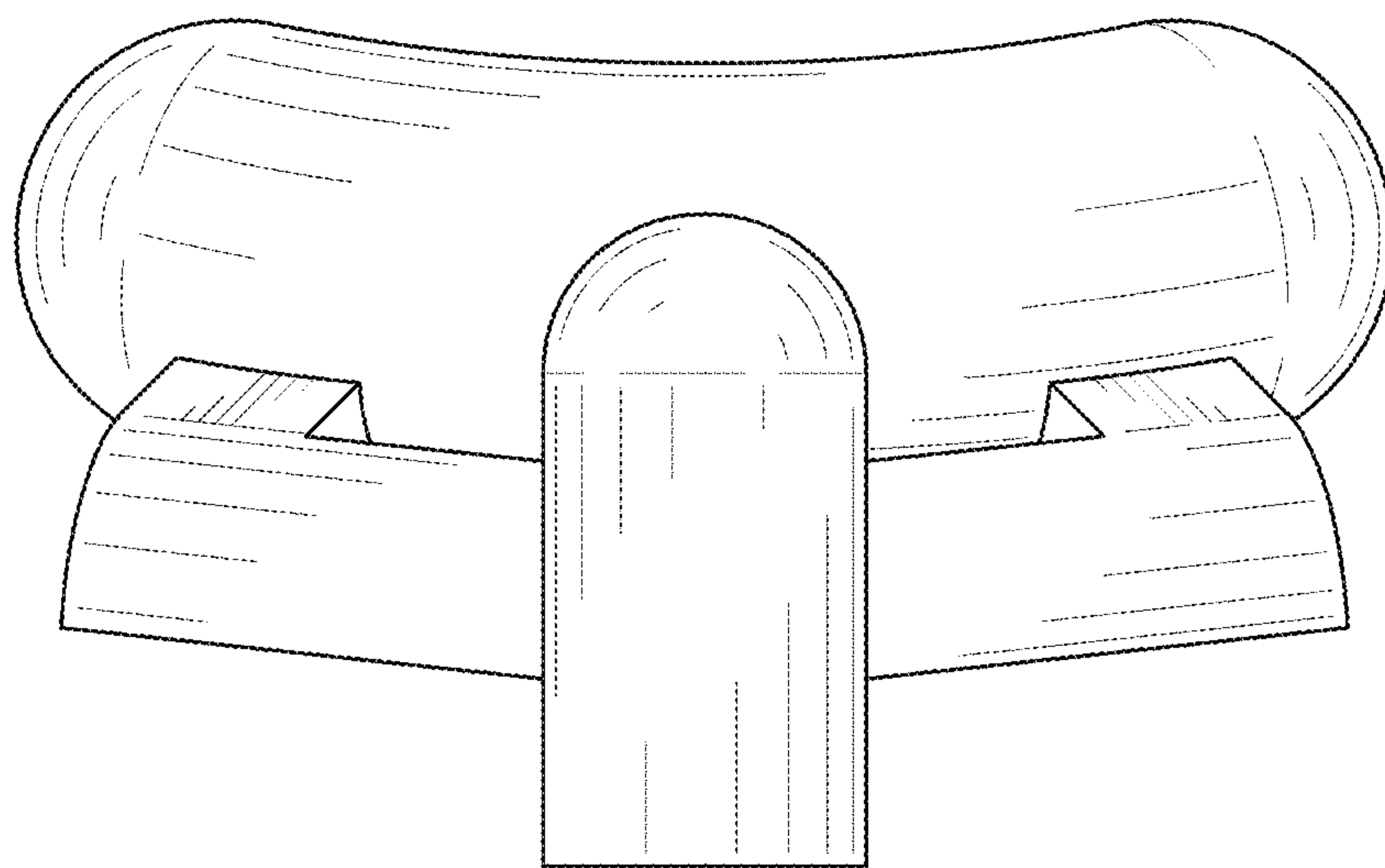


FIG. 3

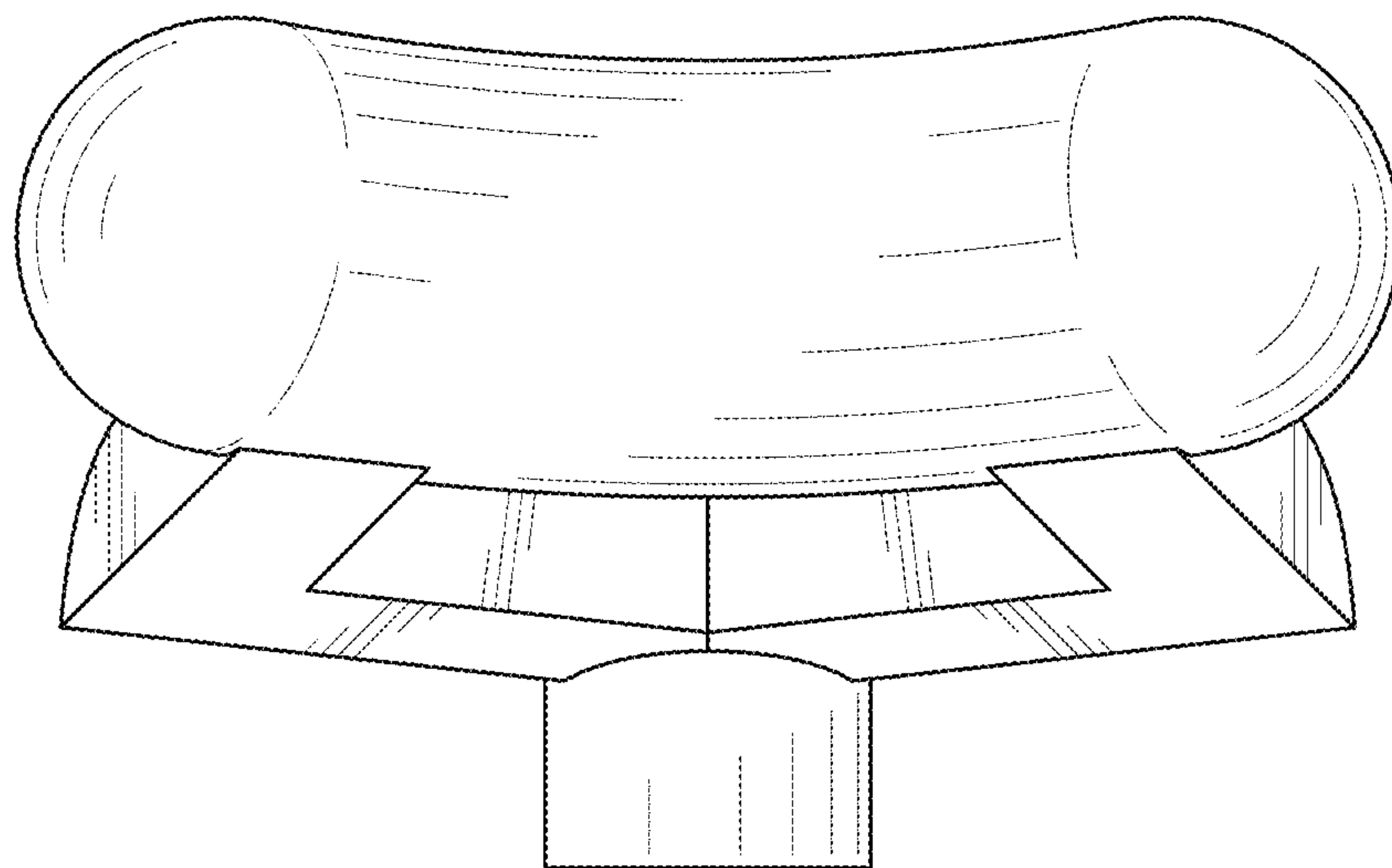


FIG. 5

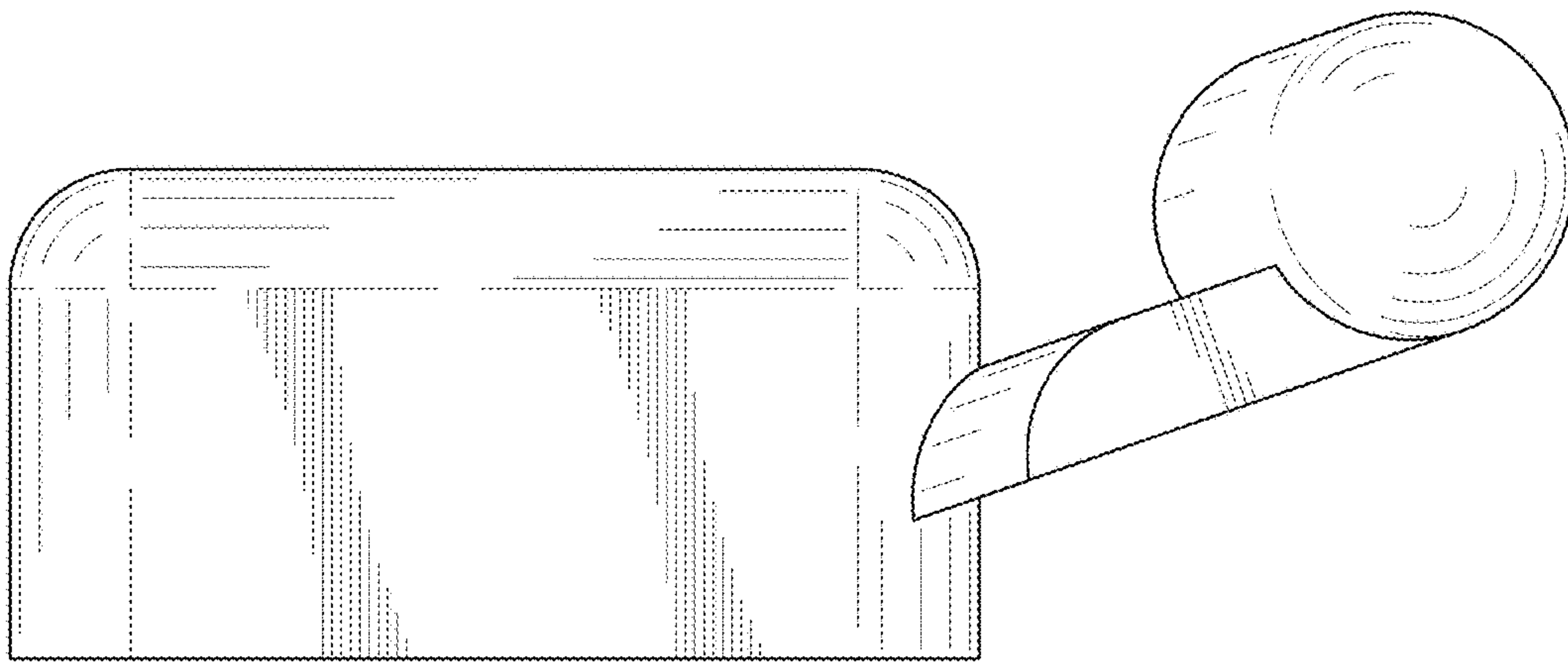


FIG. 4



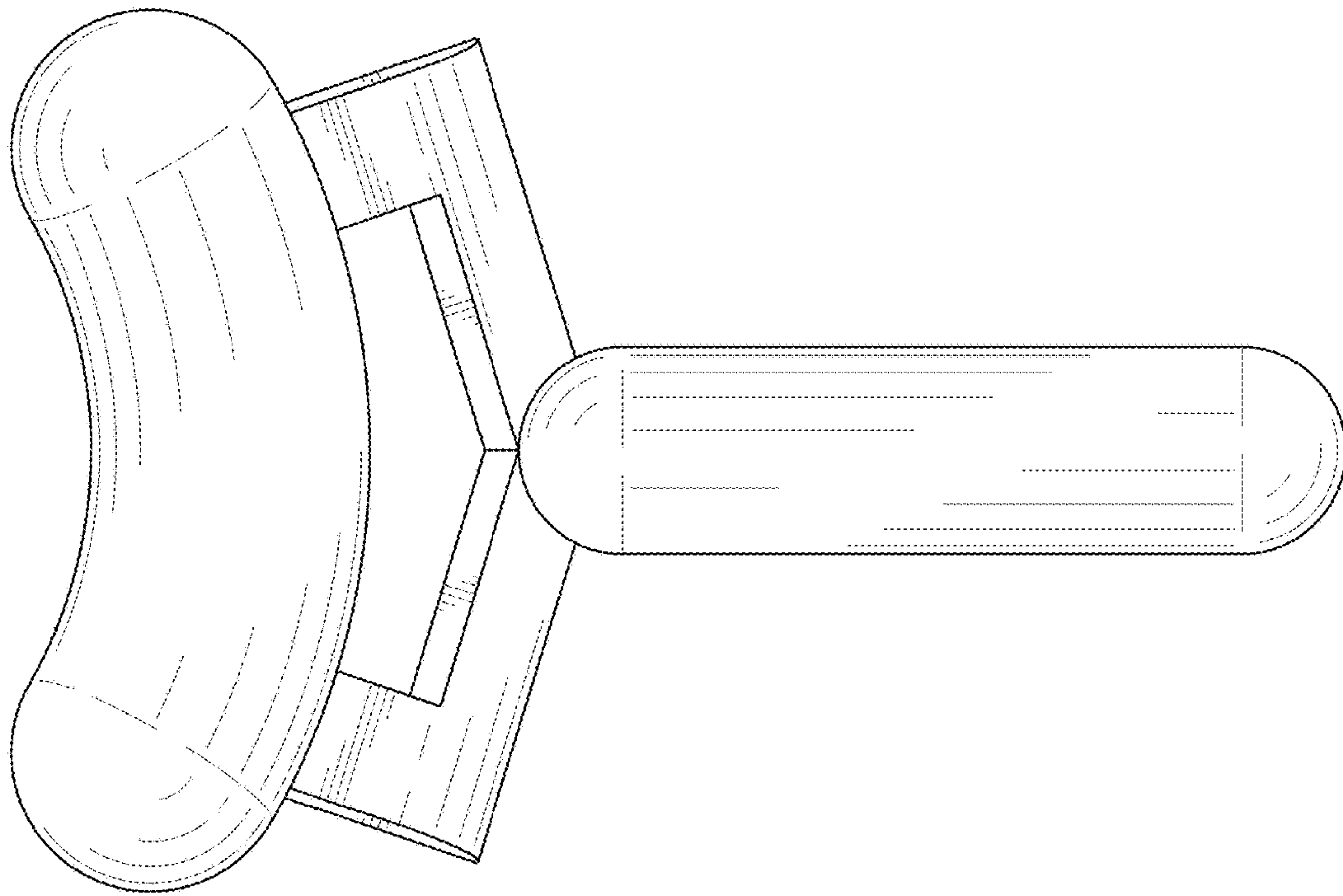


FIG. 6

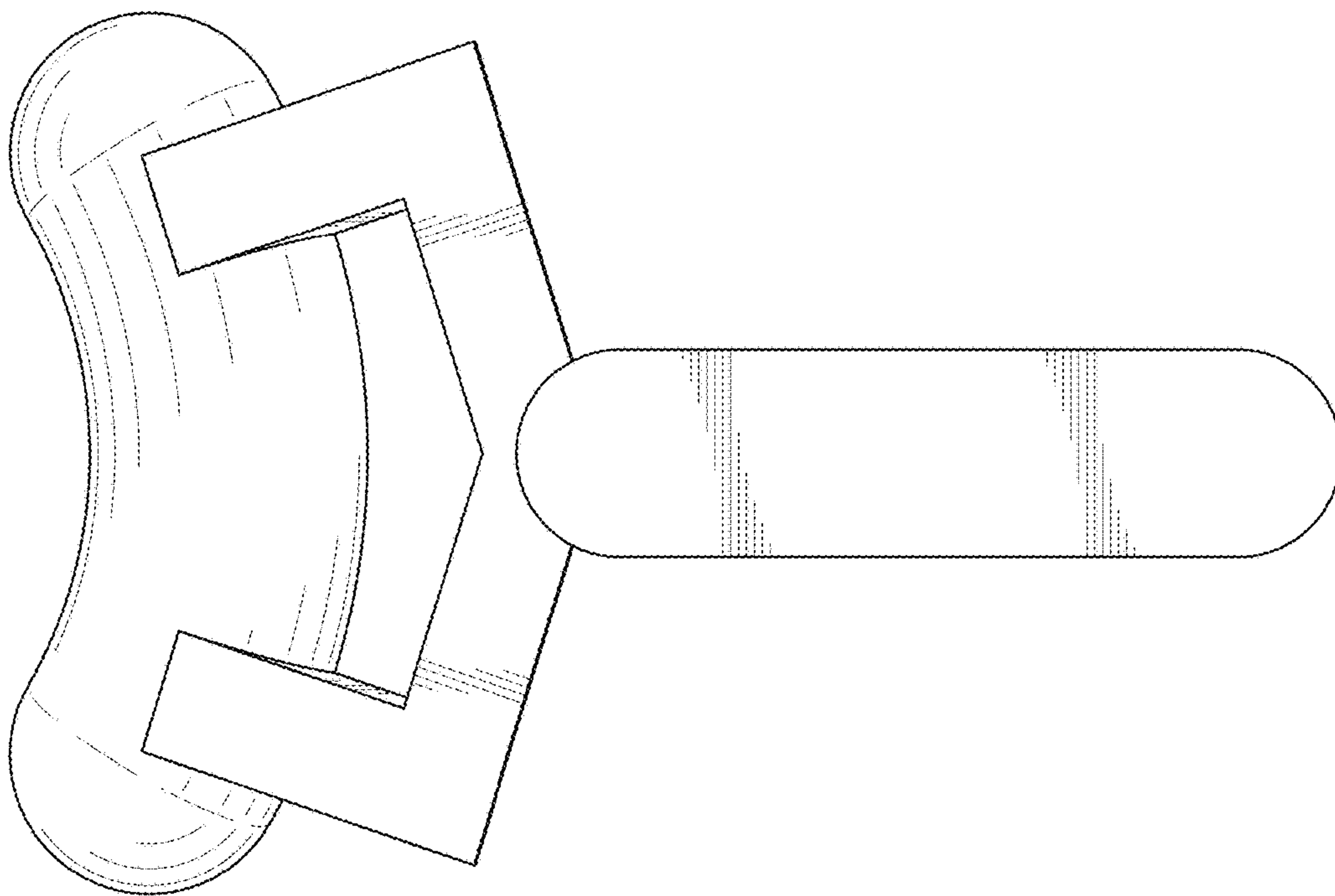


FIG. 7