



US00D830566S

(12) **United States Design Patent**
Bookhamer et al.

(10) **Patent No.:** **US D830,566 S**
(45) **Date of Patent:** **** Oct. 9, 2018**

- (54) **PORTABLE DERMAL FREEZING UNIT**
- (71) Applicant: **Iceshot, LLC**, Oakmont, PA (US)
- (72) Inventors: **Ryan Scott Bookhamer**, Edinboro, PA (US); **John R McCollum**, Oakmont, PA (US); **Kristie A Williams**, Oakmont, PA (US)
- (73) Assignee: **ICESHOT, LLC.**, Oakmont, PA (US)
- (**) Term: **15 Years**
- (21) Appl. No.: **29/567,927**
- (22) Filed: **Jun. 14, 2016**
- (51) **LOC (11) Cl.** **28-03**
- (52) **U.S. Cl.**
USPC **D24/211**; D9/726
- (58) **Field of Classification Search**
USPC D24/200, 211, 212, 213, 214, 215, 133, D24/144, 206, 207; 601/19, 22, 27-32, 601/46, 52, 99, 112, 113, 118, 125, 143, 601/DIG. 12, DIG. 14, DIG. 15, DIG. 16, 601/DIG. 17; D9/726
CPC A61H 1/0266; A61H 2015/0007; A61H 2015/0014; A61H 2015/0042; A61H 2015/0035; A61H 15/00; A61H 7/003; A61H 7/005; A61H 7/00; A61H 2001/027; A61H 11/00; A61H 19/00; A61H 19/30; A61H 19/32; A61H 19/34; A61H 19/40; A61H 19/44; A61H 19/50; A61H 21/00
See application file for complete search history.

(56) **References Cited**
U.S. PATENT DOCUMENTS

D240,711 S *	7/1976	Angleman	D9/504
D255,653 S *	7/1980	Lipsz	D9/726

D255,990 S *	7/1980	Lucas	D9/726
D256,095 S *	7/1980	Sandonato	D9/726
D258,199 S *	2/1981	Torongo, Jr.	D9/504
D266,146 S *	9/1982	Morris	D9/542
D280,289 S *	8/1985	Aldrich, III	D9/542
D330,860 S *	11/1992	Gatrost	D9/542
D333,780 S *	3/1993	Jones	D9/726
D368,220 S *	3/1996	Bicknell	D9/529
D368,427 S *	4/1996	Bicknell	D9/529
D385,965 S *	11/1997	Wallesen	D24/212
D422,904 S *	4/2000	Lepsius	D21/681
D459,216 S *	6/2002	Heijdenrijk	D9/726
D476,884 S *	7/2003	Miranda	D9/726
D562,699 S *	2/2008	Green	D9/504
D577,584 S *	9/2008	Porter	D9/447
D770,635 S *	11/2016	Cole	D24/200
D793,250 S *	8/2017	Wilkins	D9/726
D793,867 S *	8/2017	Wilkins	D9/726
2006/0222445 A1 *	10/2006	Chuang	A45D 40/261 401/216

(Continued)

Primary Examiner — Sandra Snapp
(74) *Attorney, Agent, or Firm* — Blynn L. Shideler;
Krisanne Shideler; BLK Law Group

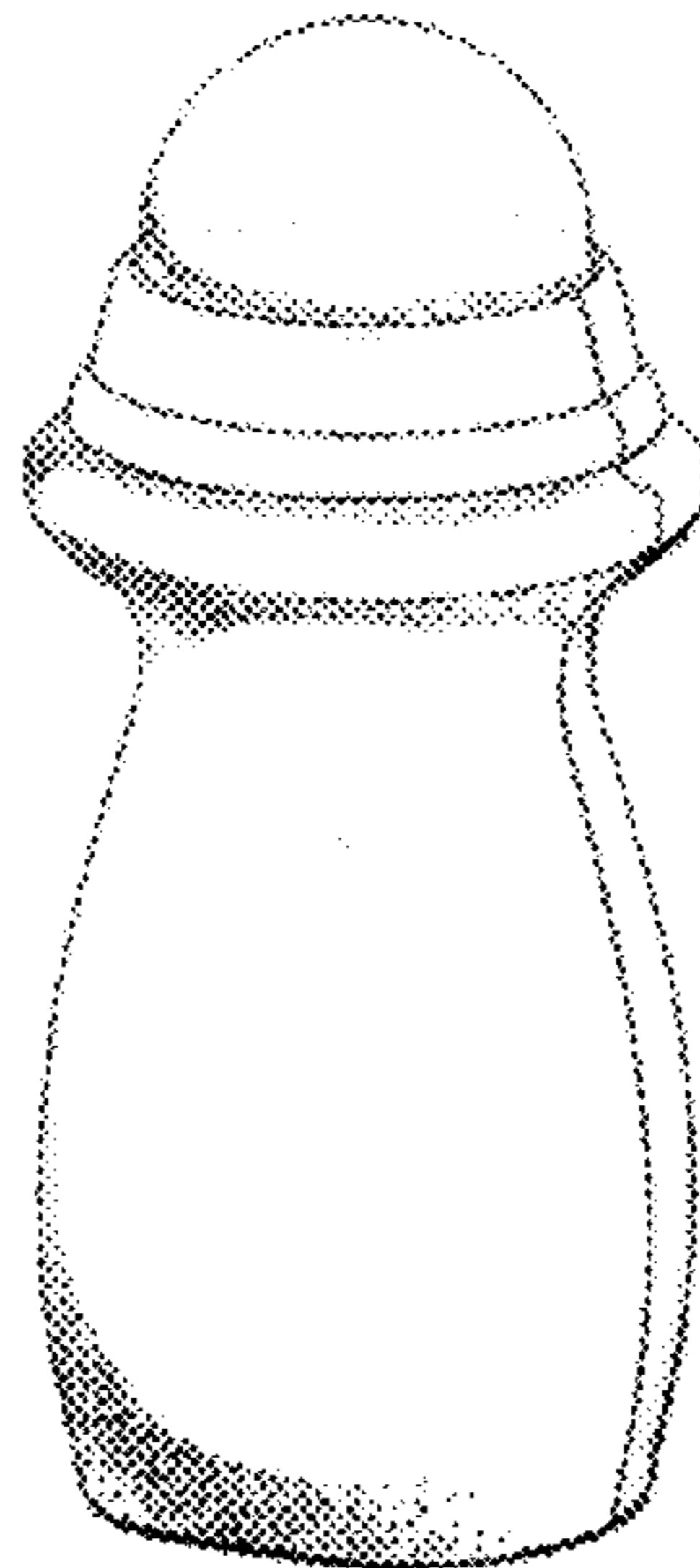
(57) **CLAIM**

The portable dermal freezing unit, as shown and described.

DESCRIPTION

FIG. 1 is a perspective view of a portable dermal freezing unit according to the present invention; FIG. 2 is an elevation front view of the portable dermal freezing unit of FIG. 1, the rear view being identical thereto; FIG. 3 is an elevation side view of the portable dermal freezing unit of FIG. 1, the opposite side view being identical thereto; FIG. 4 is a top plan view of the portable dermal freezing unit of FIG. 1; and, FIG. 5 is a bottom plan view of the portable dermal freezing unit of FIG. 1.

1 Claim, 1 Drawing Sheet



(56)

References Cited

U.S. PATENT DOCUMENTS

2008/0107474 A1* 5/2008 Hsieh A45D 34/041
401/216
2008/0317543 A1* 12/2008 Jackson A46B 7/04
401/273

* cited by examiner

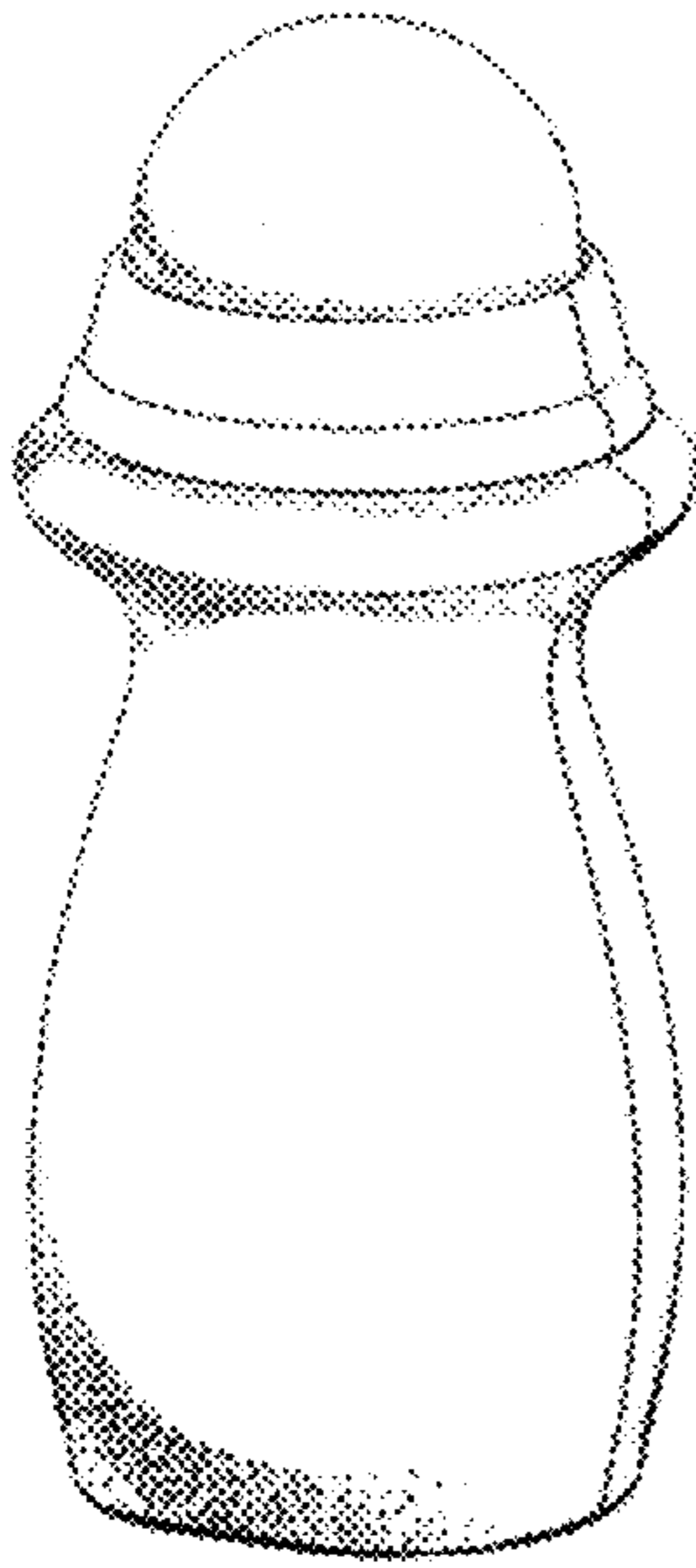


FIG. 1

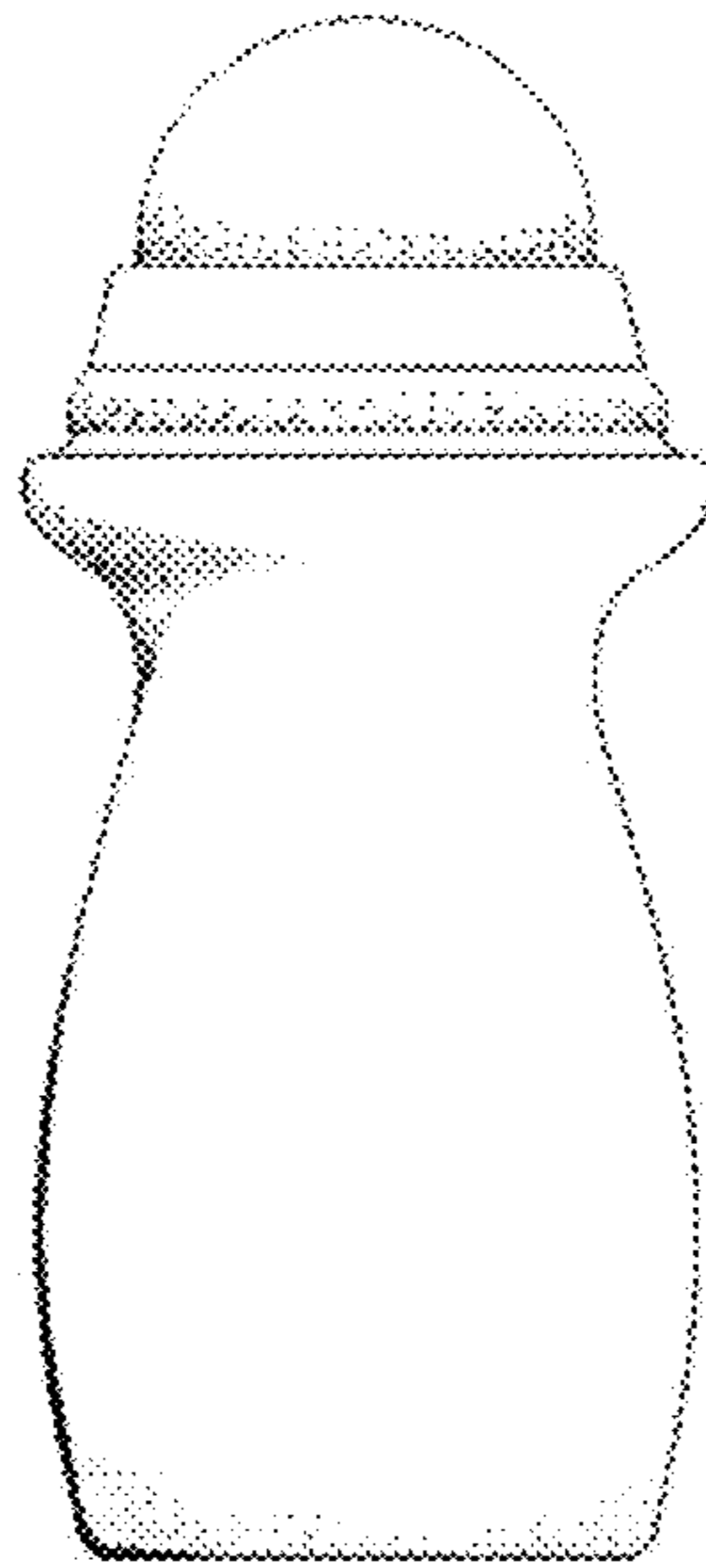


FIG. 2

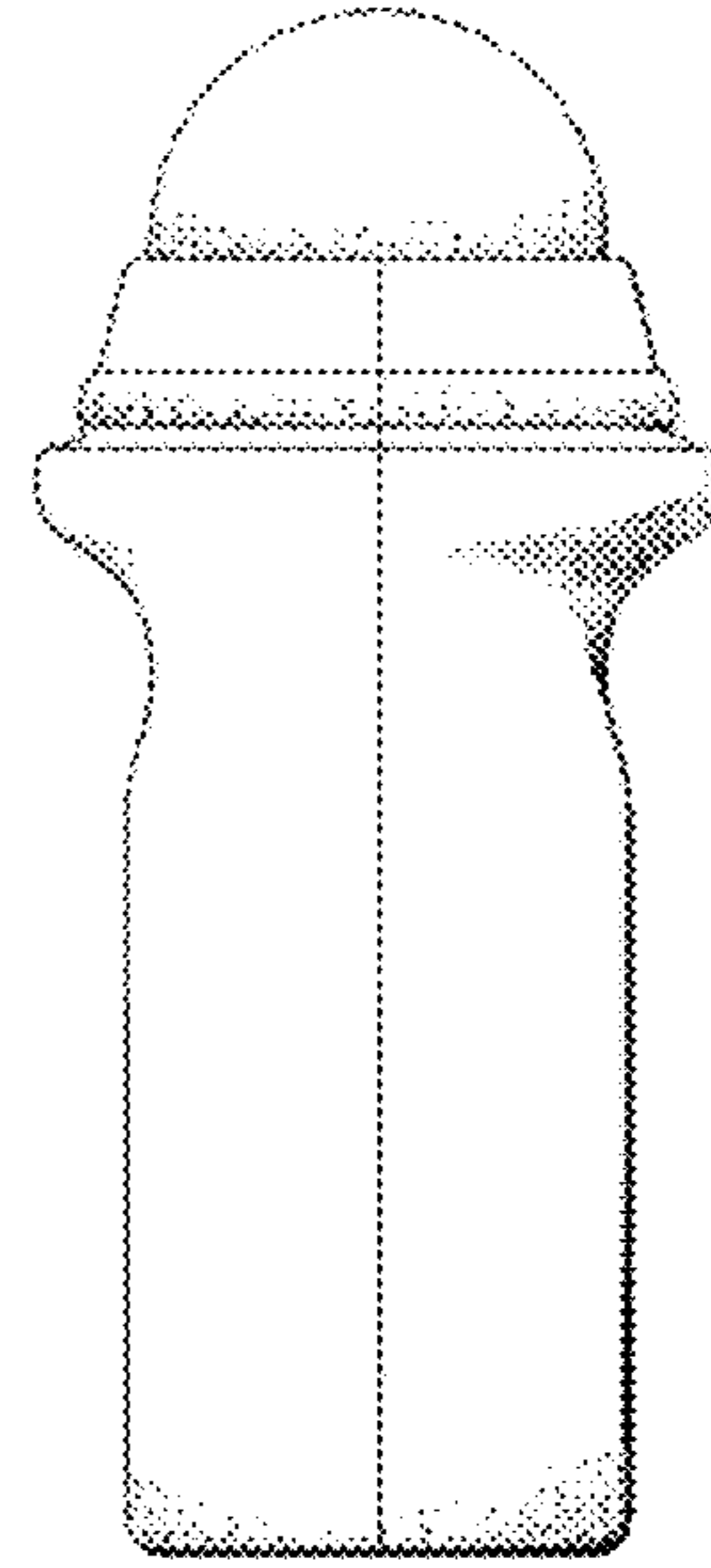


FIG. 3

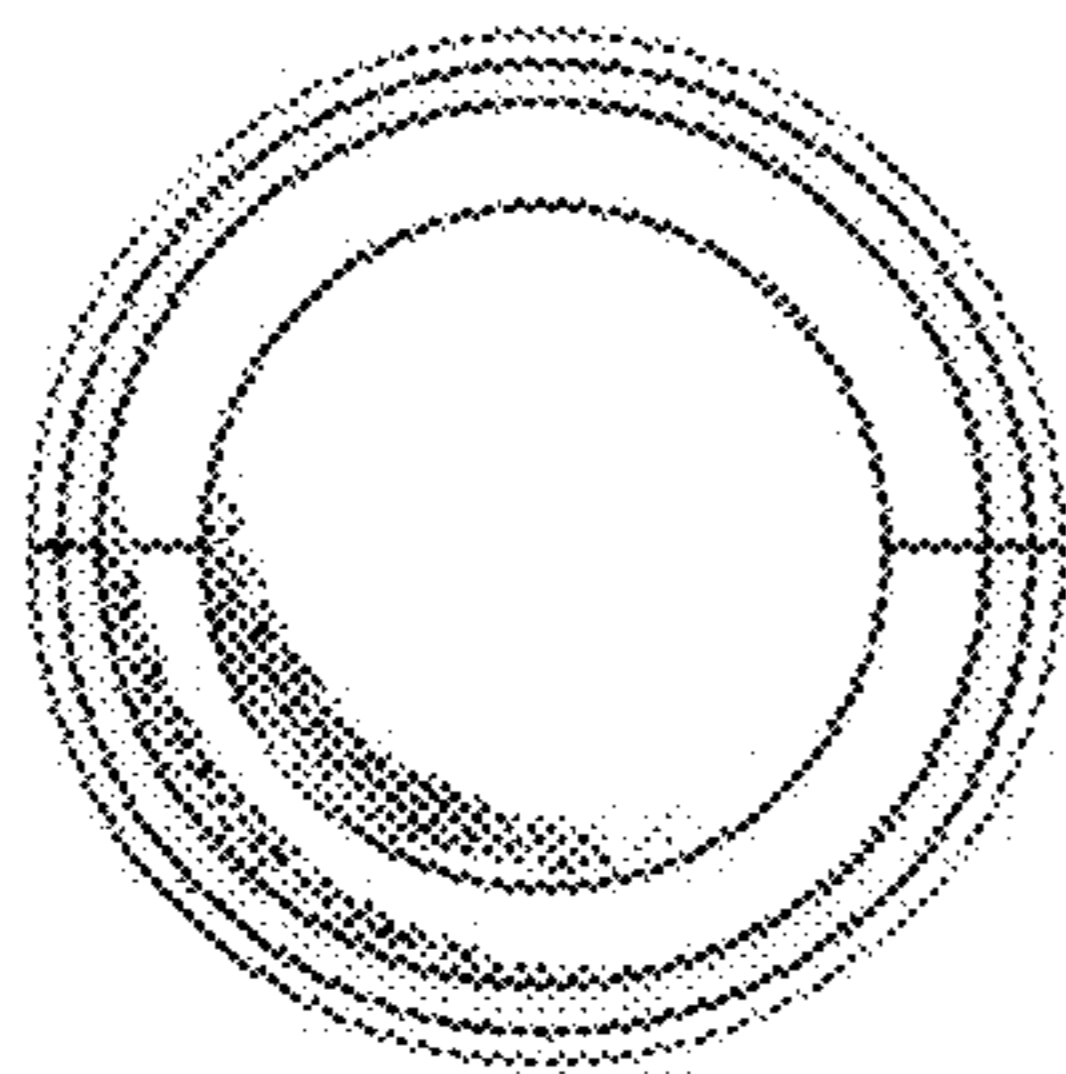


FIG. 4

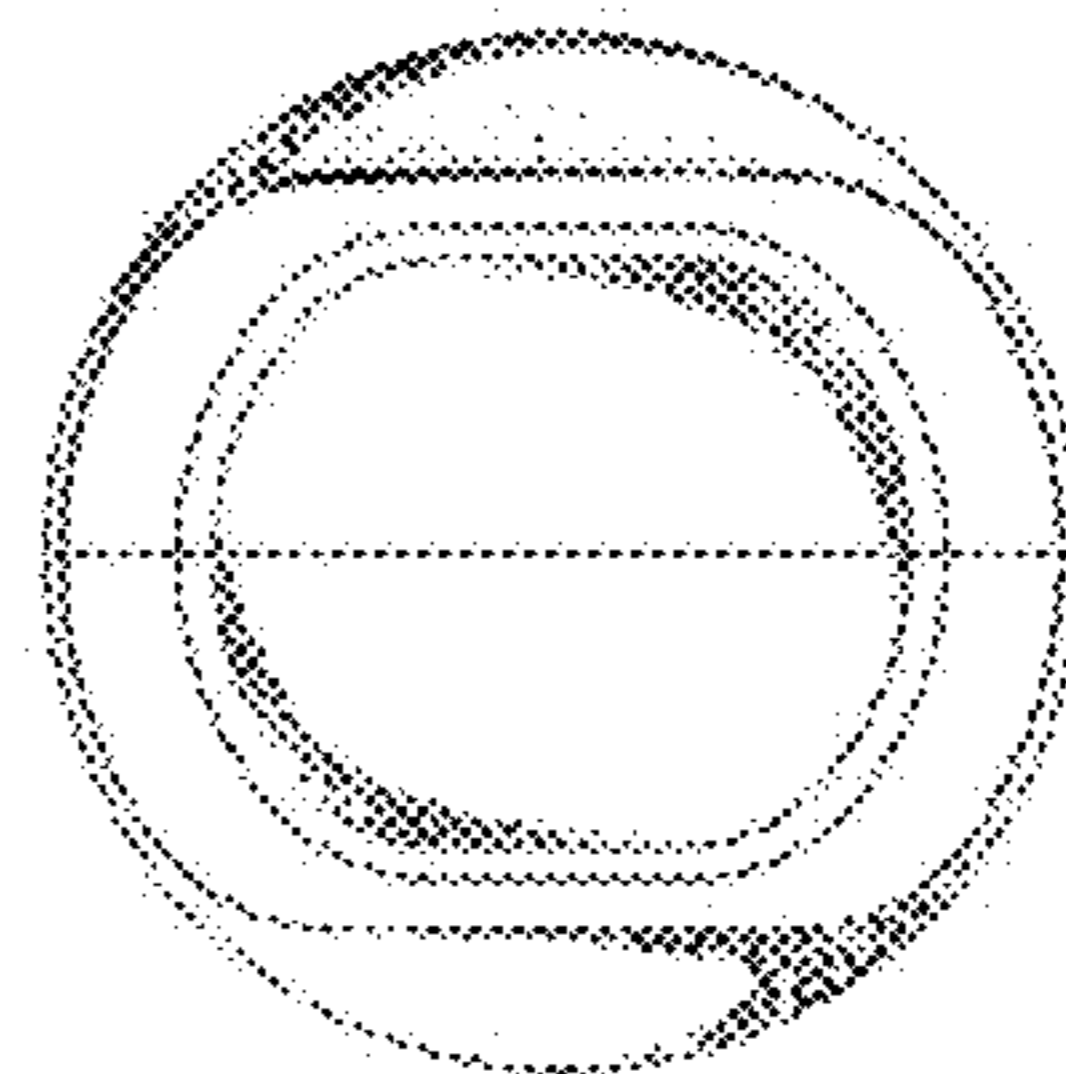


FIG. 5