

US00D830565S

(12) **United States Design Patent** (10) **Patent No.:** **US D830,565 S**
Xu (45) **Date of Patent:** **** Oct. 9, 2018**

(54) **TRANSCUTANEOUS ELECTRICAL NERVE STIMULATION OR TENS DEVICE**

(71) Applicant: **Jianhua Xu**, Shenzhen (CN)

(72) Inventor: **Jianhua Xu**, Shenzhen (CN)

(**) Term: **15 Years**

(21) Appl. No.: **29/628,245**

(22) Filed: **Dec. 4, 2017**

(51) **LOC (11) Cl.** **24-02**

(52) **U.S. Cl.**
USPC **D24/200; D24/186**

(58) **Field of Classification Search**
USPC D24/107, 165, 167, 168, 185, 186, 187,
D24/200, 215; D10/70, 98; D14/344
CPC A61N 1/39; A61N 1/3925; A61N 1/3968;
A61N 1/3987; A61N 1/3993; A61N
1/36014; A61N 1/36017; A61N 1/36132;
A61N 1/375; A61N 1/0452; A61N
1/0456; A61N 1/0492

See application file for complete search history.

(56) **References Cited**

U.S. PATENT DOCUMENTS

4,989,605 A * 2/1991 Rossen A61N 1/36021
128/907
D412,364 S * 7/1999 Agarwala D24/200

D547,454 S * 7/2007 Hsieh D24/186
D754,355 S * 4/2016 Ganapathy D24/186
D756,526 S * 5/2016 Ho D24/200
D757,292 S * 5/2016 Chen D24/215
D768,866 S * 10/2016 Shigeno D24/200
D802,780 S * 11/2017 Hsu D24/200
D810,952 S * 2/2018 Hsu D24/200

* cited by examiner

Primary Examiner — Anhdao Doan

(74) *Attorney, Agent, or Firm* — Alexander Chen, Esq.;
Inhouse Co. Law Firm

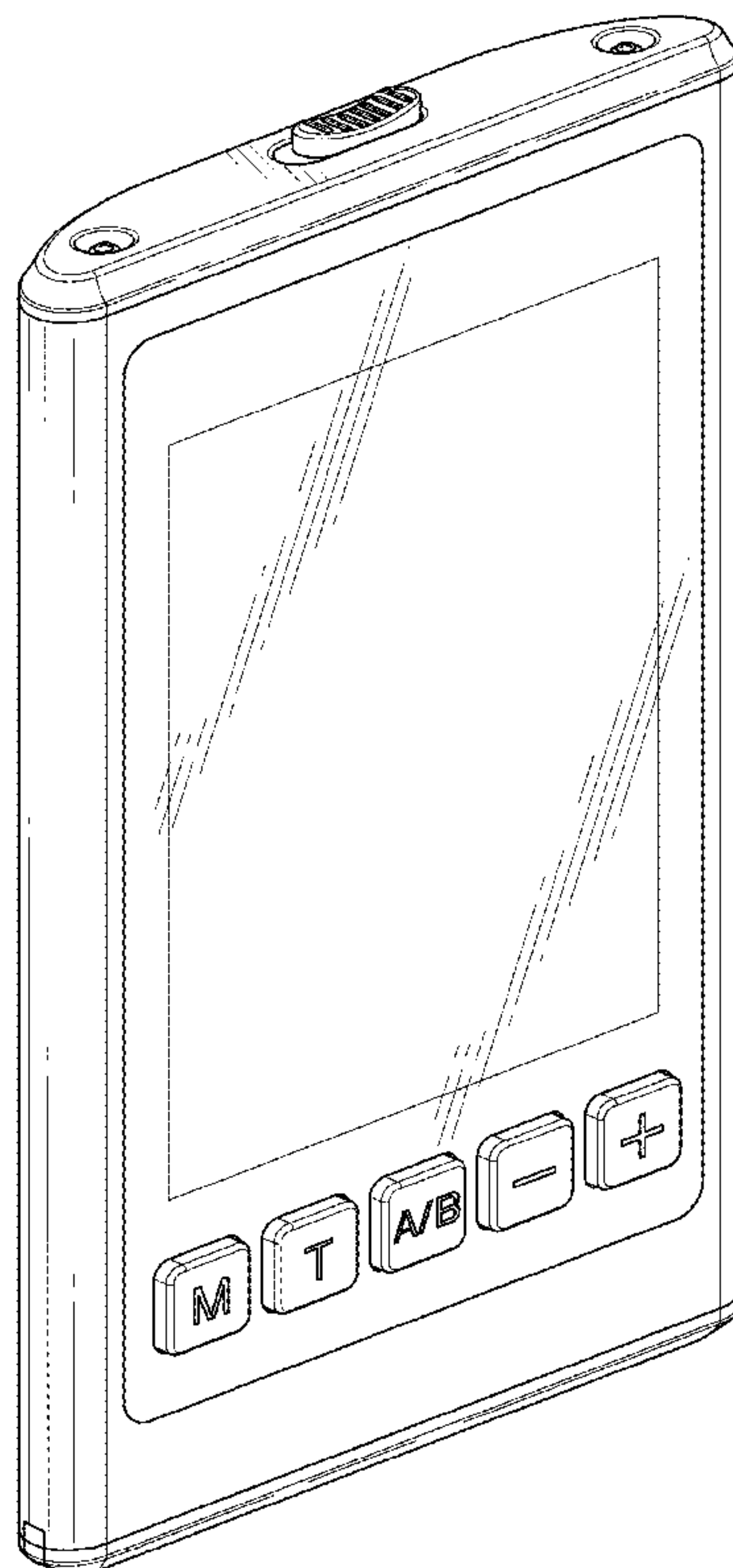
(57) **CLAIM**

The ornamental design for a transcutaneous electrical nerve stimulation or TENS device, as shown and described.

DESCRIPTION

FIG. 1 is a perspective view of a TENS device;
FIG. 2 is a front view thereof;
FIG. 3 is a left side view thereof; and,
FIG. 4 is a bottom side view thereof.

1 Claim, 3 Drawing Sheets



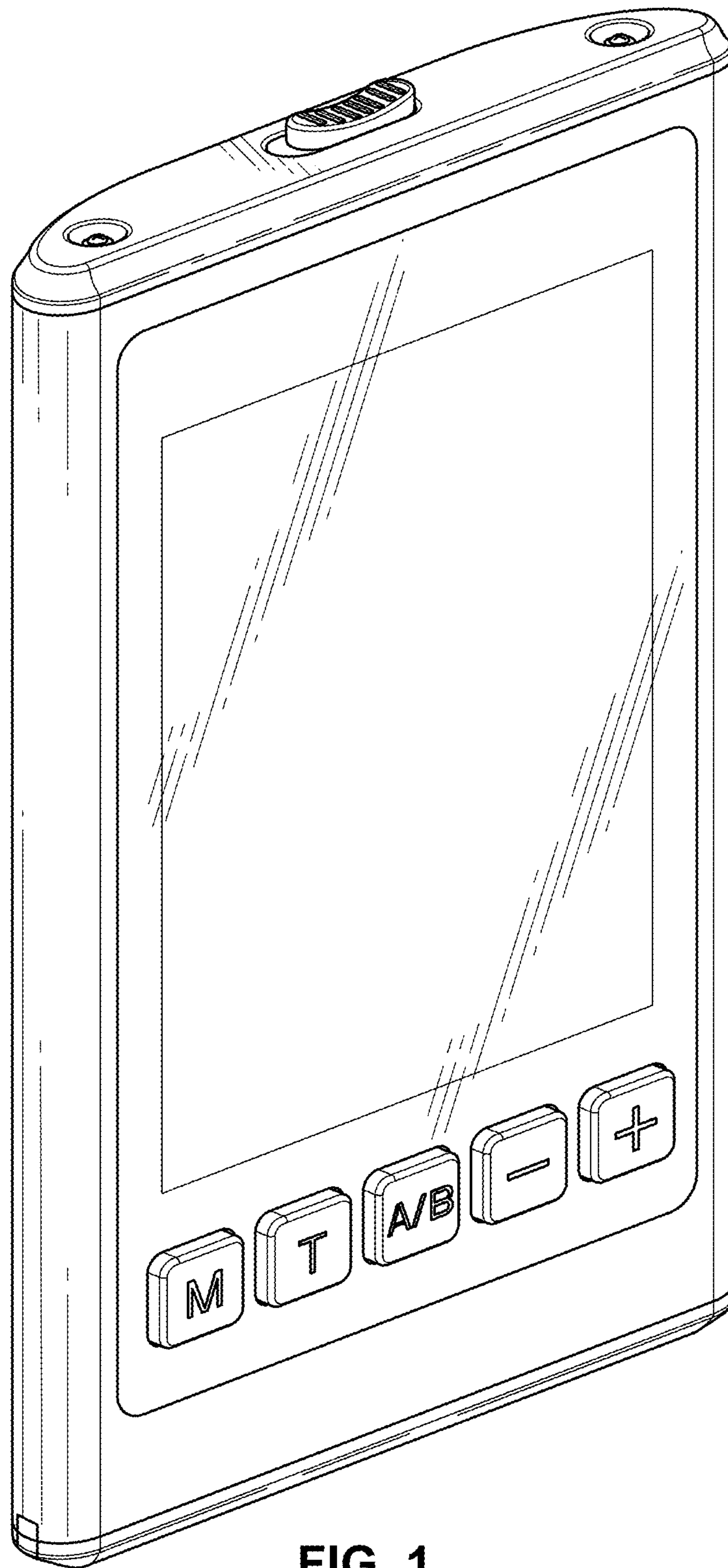


FIG. 1

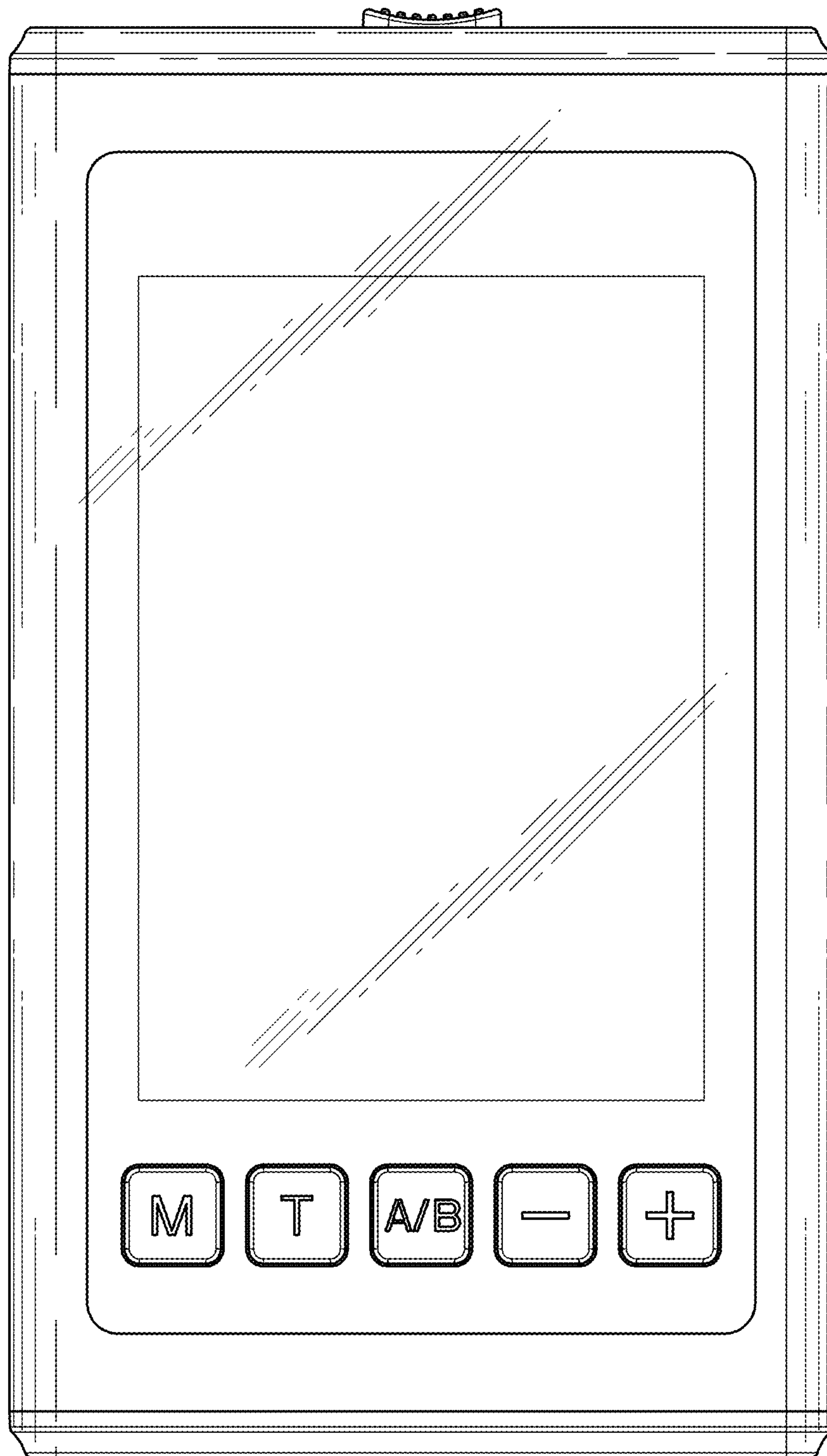


FIG. 2

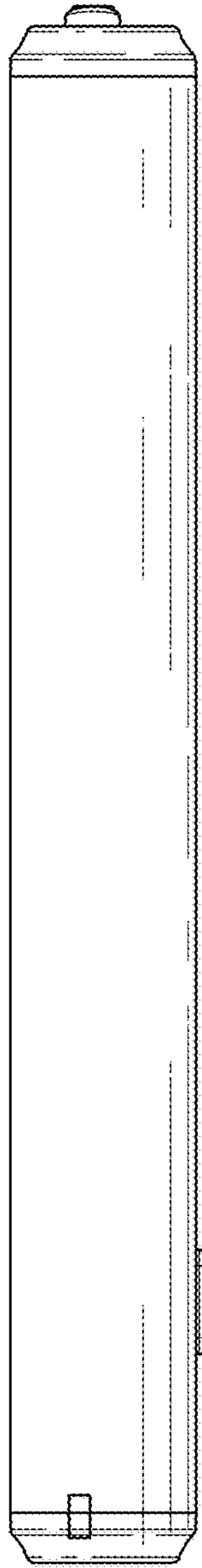


FIG. 3

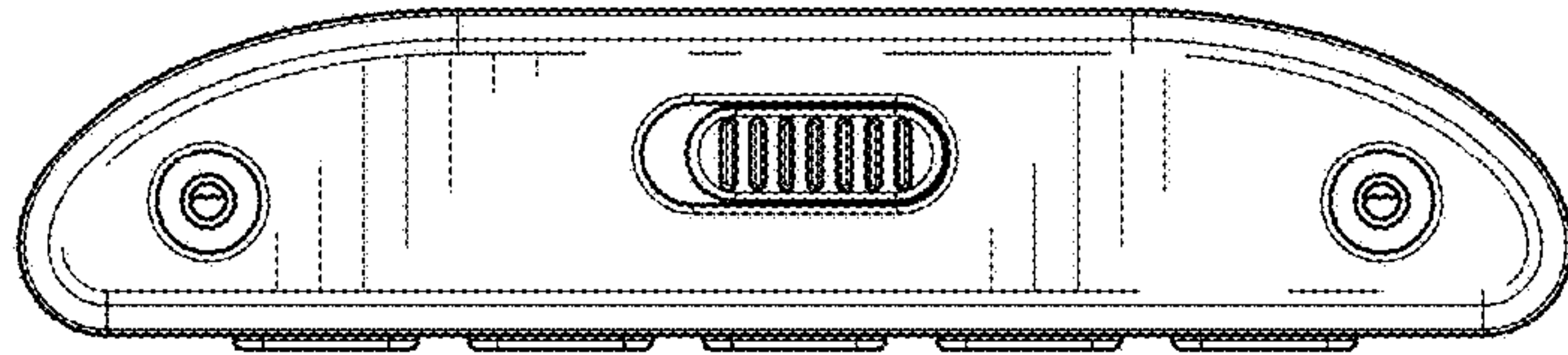


FIG. 4