



US00D830557S

(12) **United States Design Patent** (10) **Patent No.:** **US D830,557 S**
Sebban (45) **Date of Patent:** **** Oct. 9, 2018**

(54) **WIRELESS PULSE OXIMETER**
(71) Applicant: **VISIONED GROUP**, Paris (FR)
(72) Inventor: **Eric Sebban**, Paris (FR)
(**) Term: **15 Years**
(21) Appl. No.: **35/502,052**
(22) Filed: **Oct. 20, 2016**

D536,795 S * 2/2007 Knieriem D24/186
D604,418 S * 11/2009 Jones D24/165
D643,929 S * 8/2011 DelloStritto D24/165
D668,340 S * 10/2012 Wang D24/165
D670,388 S * 11/2012 Jin D24/165
D691,726 S * 10/2013 Jin D24/167
D782,045 S * 3/2017 Chou D24/164

* cited by examiner

Primary Examiner — Rhea Shields

(80) **Hague Agreement Data**
Int. Filing Date: **Oct. 20, 2016**
Int. Reg. No.: **DM/093596**
Int. Reg. Date: **Oct. 20, 2016**
Int. Reg. Pub. Date: **Dec. 9, 2016**

(57) **CLAIM**

The ornamental design for a wireless pulse oximeter, as shown and described.

(51) **LOC (11) Cl.** **24-00**
(52) **U.S. Cl.**
USPC **D24/167**
(58) **Field of Classification Search**
USPC D24/186, 165, 167, 164; 600/344, 323
CPC A61B 5/14552
See application file for complete search history.

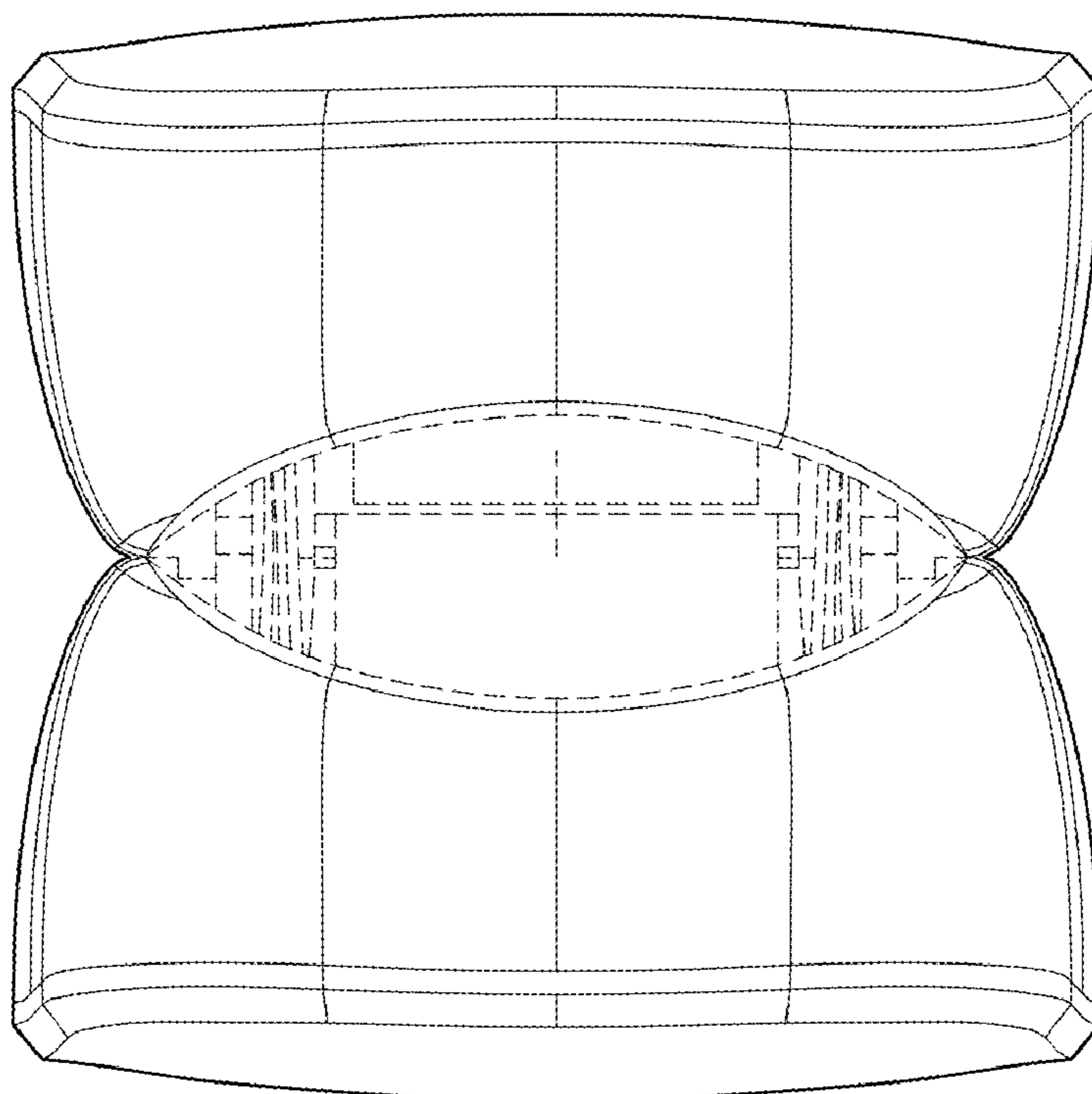
DESCRIPTION

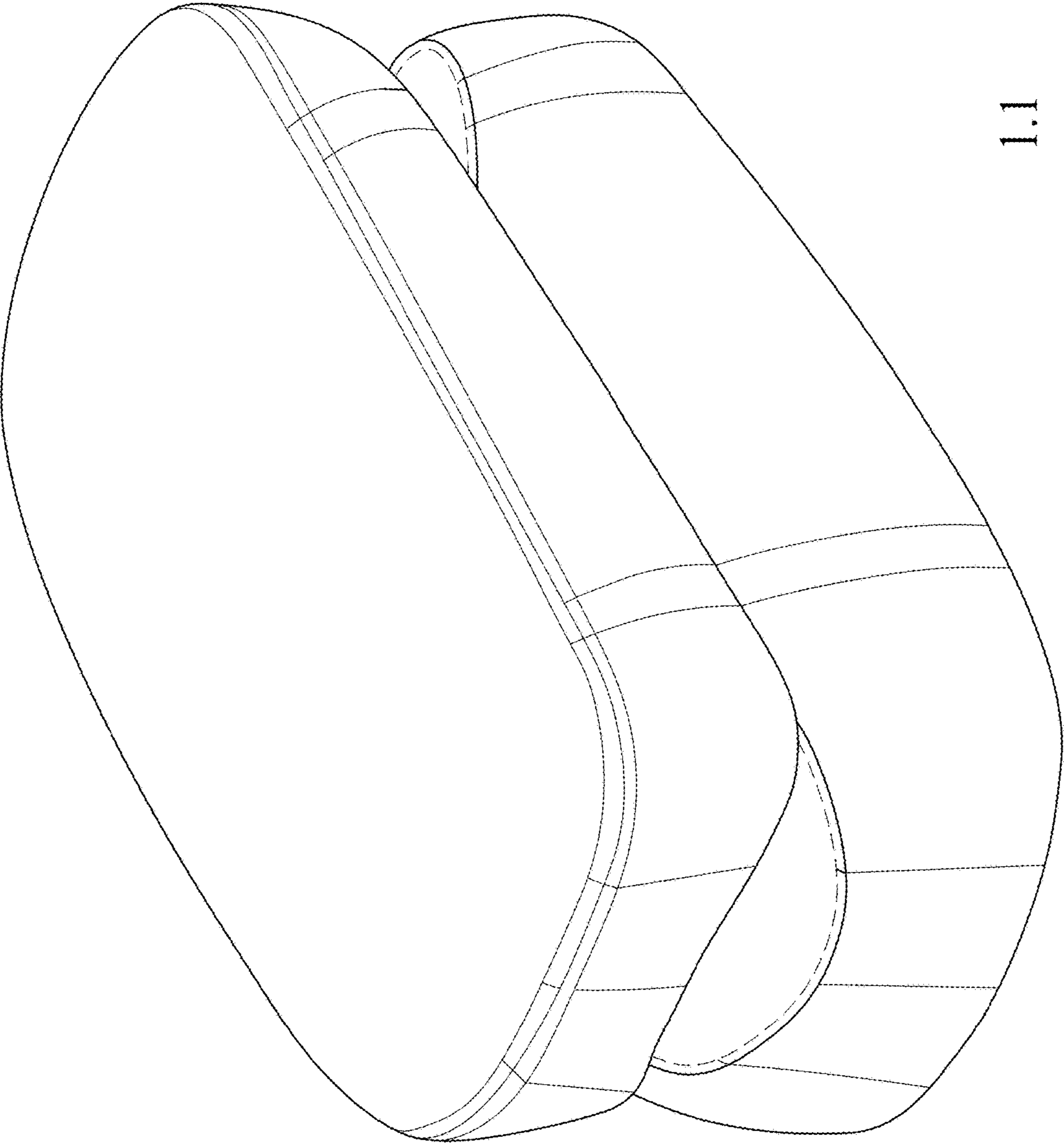
1.1 is a perspective view;
1.2 is a front view;
1.3 is a rear view;
1.4 is a top plan view;
1.5 is a side view; and
1.6 is a bottom plan view.

In the drawings, the broken lines are for the purpose of illustrating environment only and form no part of the claimed design.

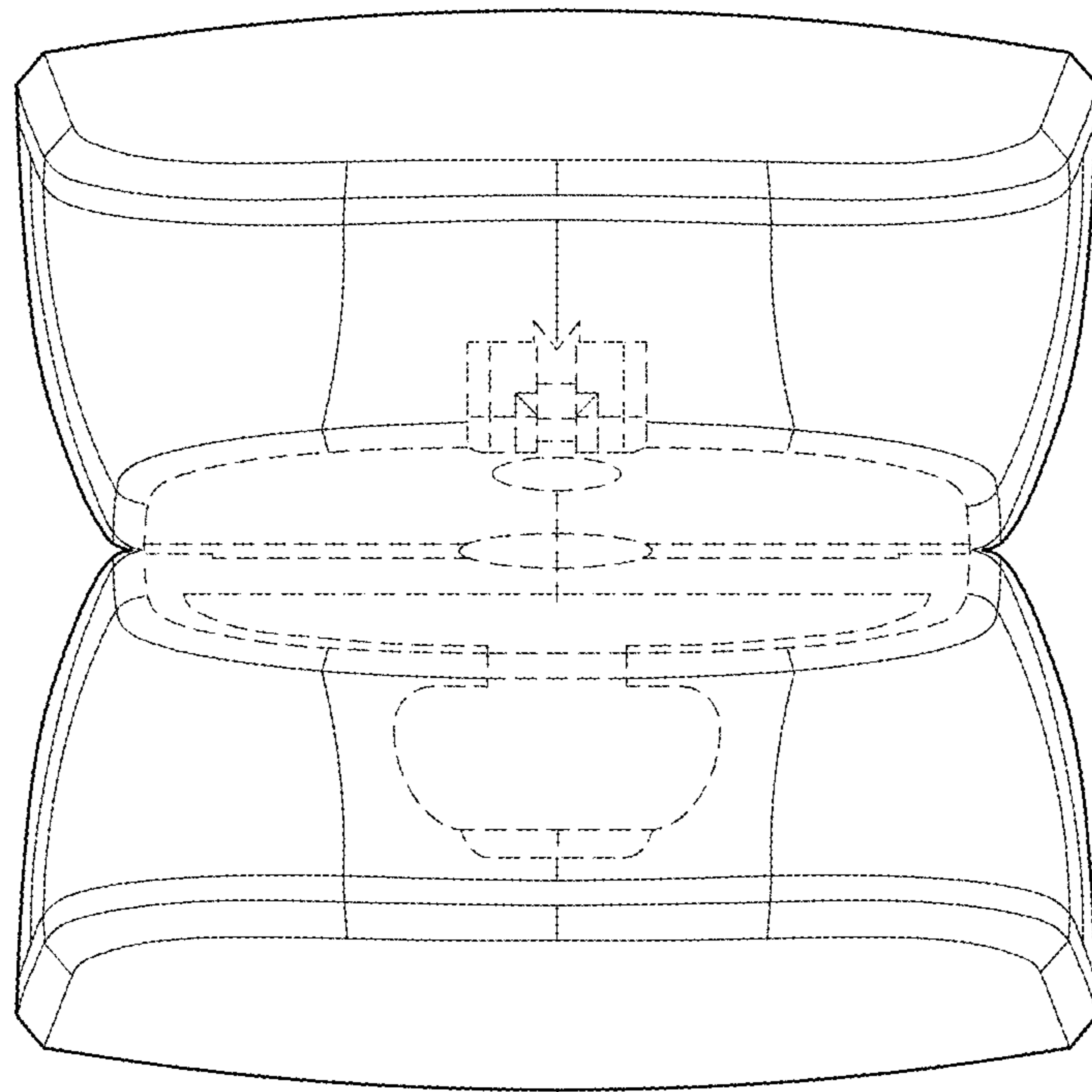
(56) **References Cited**
U.S. PATENT DOCUMENTS
4,685,464 A * 8/1987 Goldberger A61B 5/14552
600/344
5,311,865 A * 5/1994 Mayeux A61B 5/14552
600/323

1 Claim, 6 Drawing Sheets

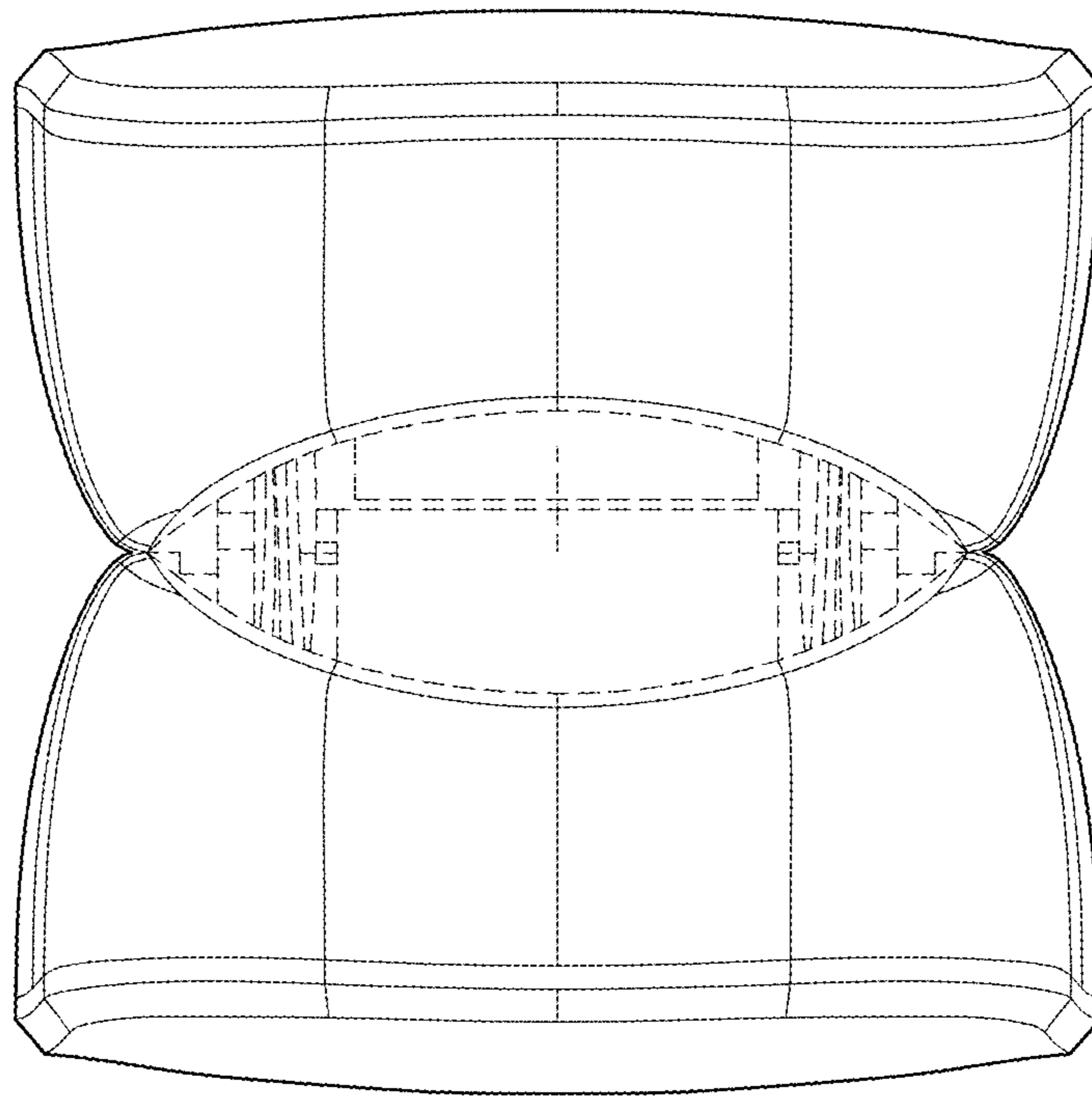




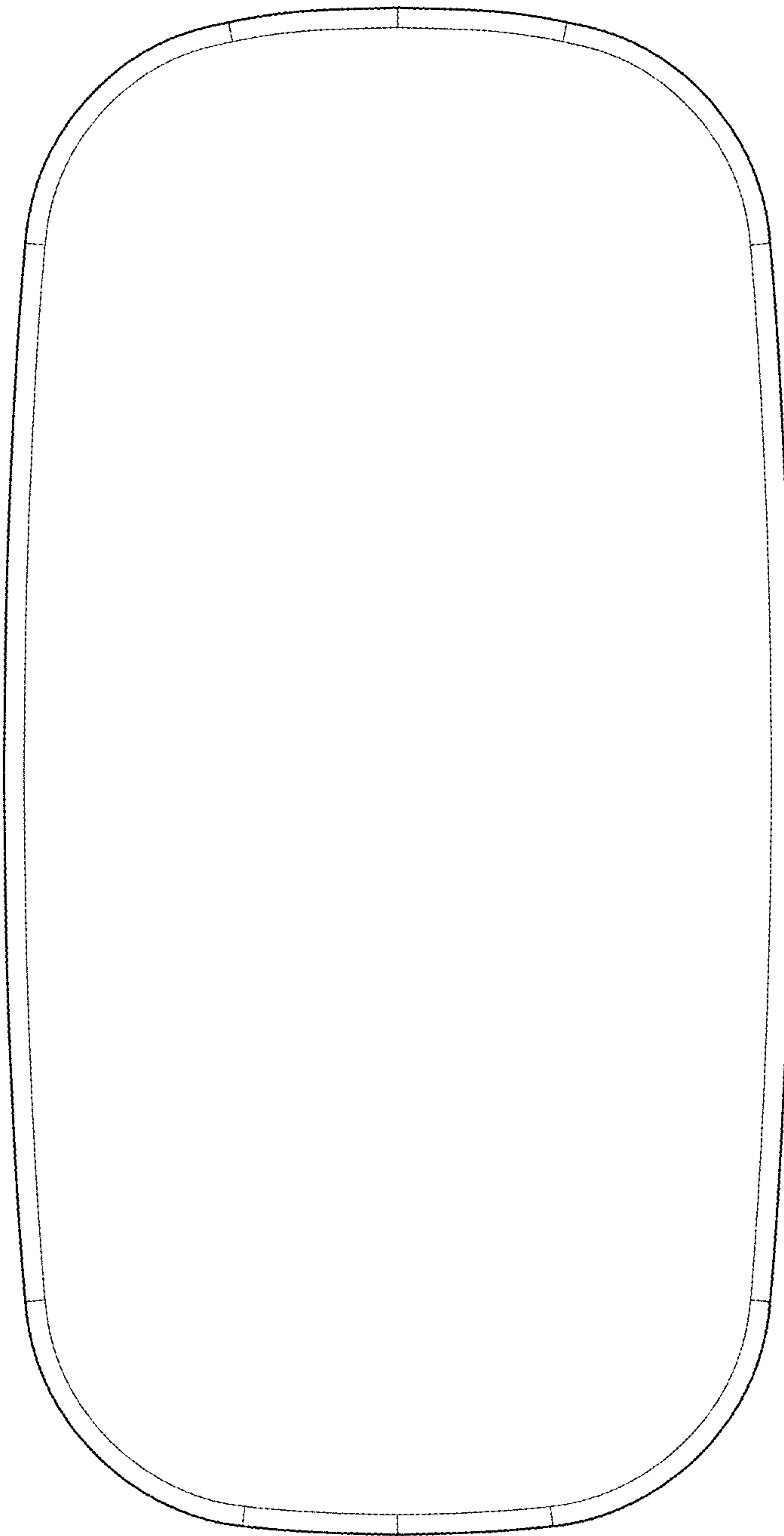
1.1

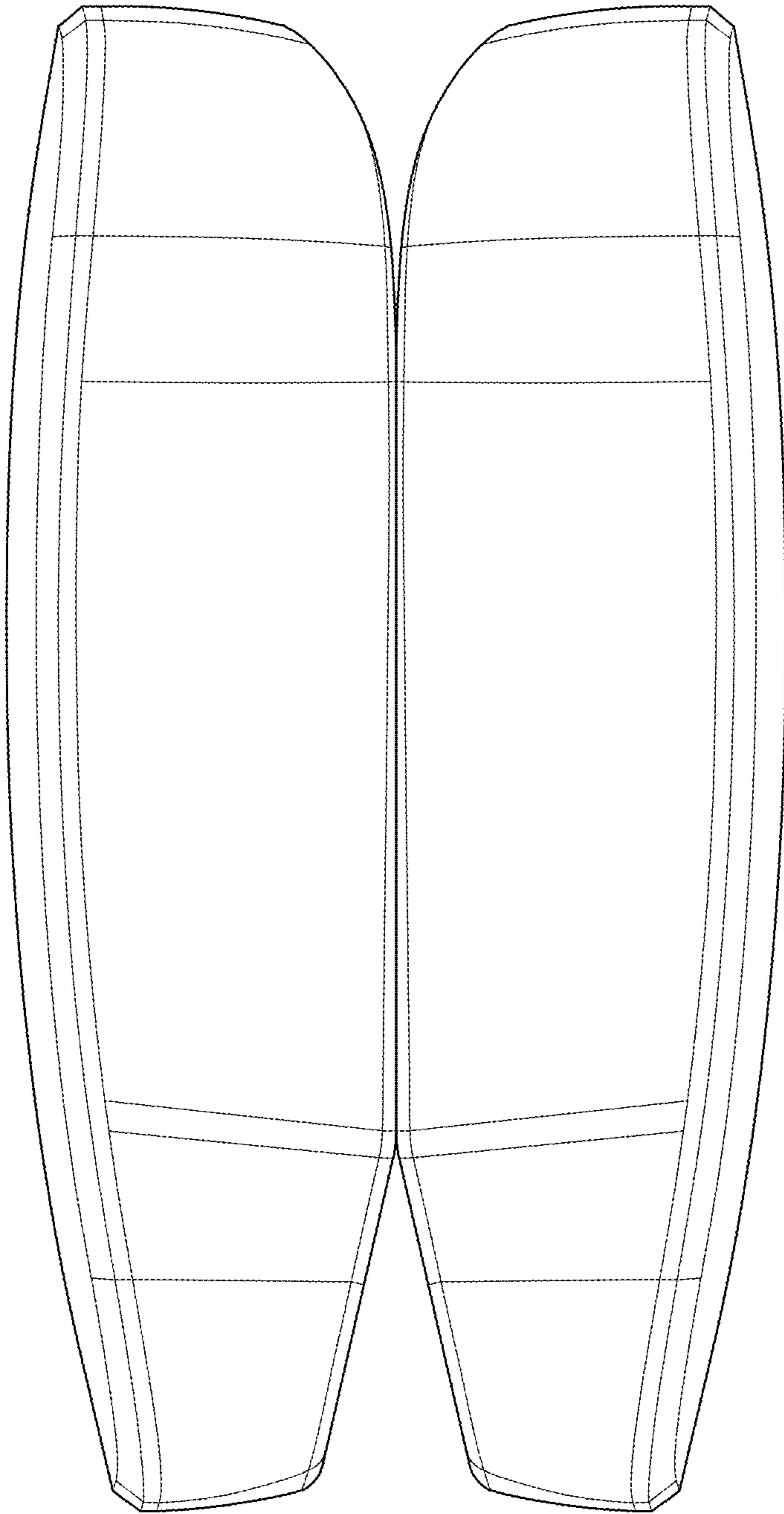


1.2

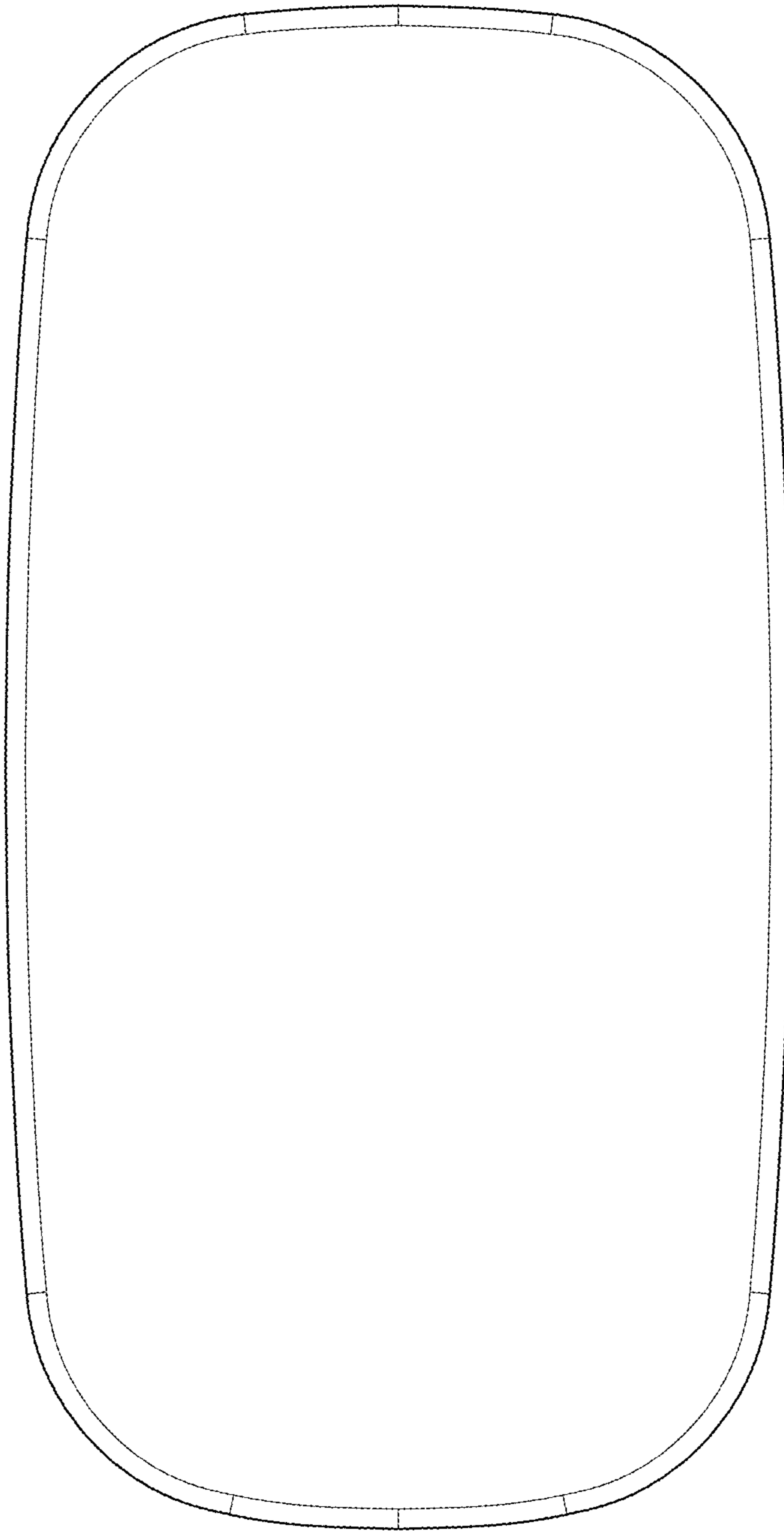


1.3





1.5



1.6