



US00D830556S

(12) **United States Design Patent** (10) **Patent No.:** **US D830,556 S**
Sebban (45) **Date of Patent:** **** Oct. 9, 2018**

(54) **POCKET ELECTROCARDIOGRAM**

OTHER PUBLICATIONS

(71) Applicant: **VISIONMED GROUP**, Paris (FR)

MyECG posted by Bewell Connect on Sep. 22, 2015 on Youtube found on Nov. 22, 2017 at <https://www.youtube.com/watch?v=LTVDmkwQDis>.*

(72) Inventor: **Eric Sebban**, Paris (FR)

* cited by examiner

(**) Term: **15 Years**

(21) Appl. No.: **35/502,051**

Primary Examiner — Manpreet S Matharu

(22) Filed: **Oct. 20, 2016**

Assistant Examiner — Eliza Z Bennett-Hattan

(80) **Hague Agreement Data**

Int. Filing Date: **Oct. 20, 2016**

Int. Reg. No.: **DM/093595**

Int. Reg. Date: **Oct. 20, 2016**

Int. Reg. Pub. Date: **Dec. 9, 2016**

(57) **CLAIM**

The ornamental design of a pocket electrocardiogram, as shown and described.

(51) **LOC (11) Cl.** **24-02**

(52) **U.S. Cl.**
USPC **D24/167**

(58) **Field of Classification Search**
USPC D24/167, 186, 187
See application file for complete search history.

DESCRIPTION

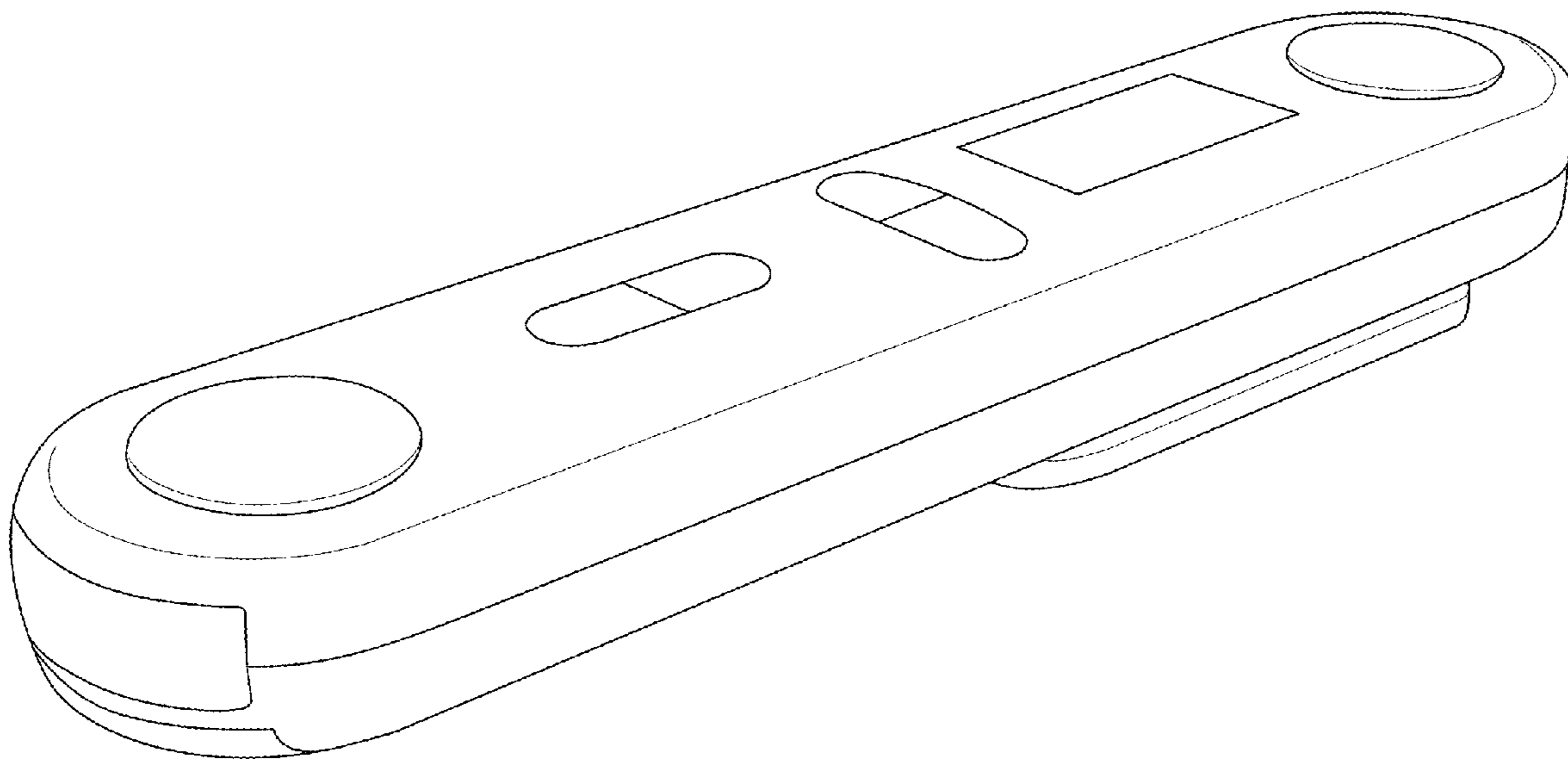
1. Pocket electrocardiogram, wireless and connected
- 1.1 is a perspective view of a pocket electrocardiogram showing my new design.
- 1.2 is a rear view thereof.
- 1.3 is a bottom view thereof.
- 1.4 is a front view thereof.
- 1.5 is a side view thereof.
- 1.6 is a top view thereof.

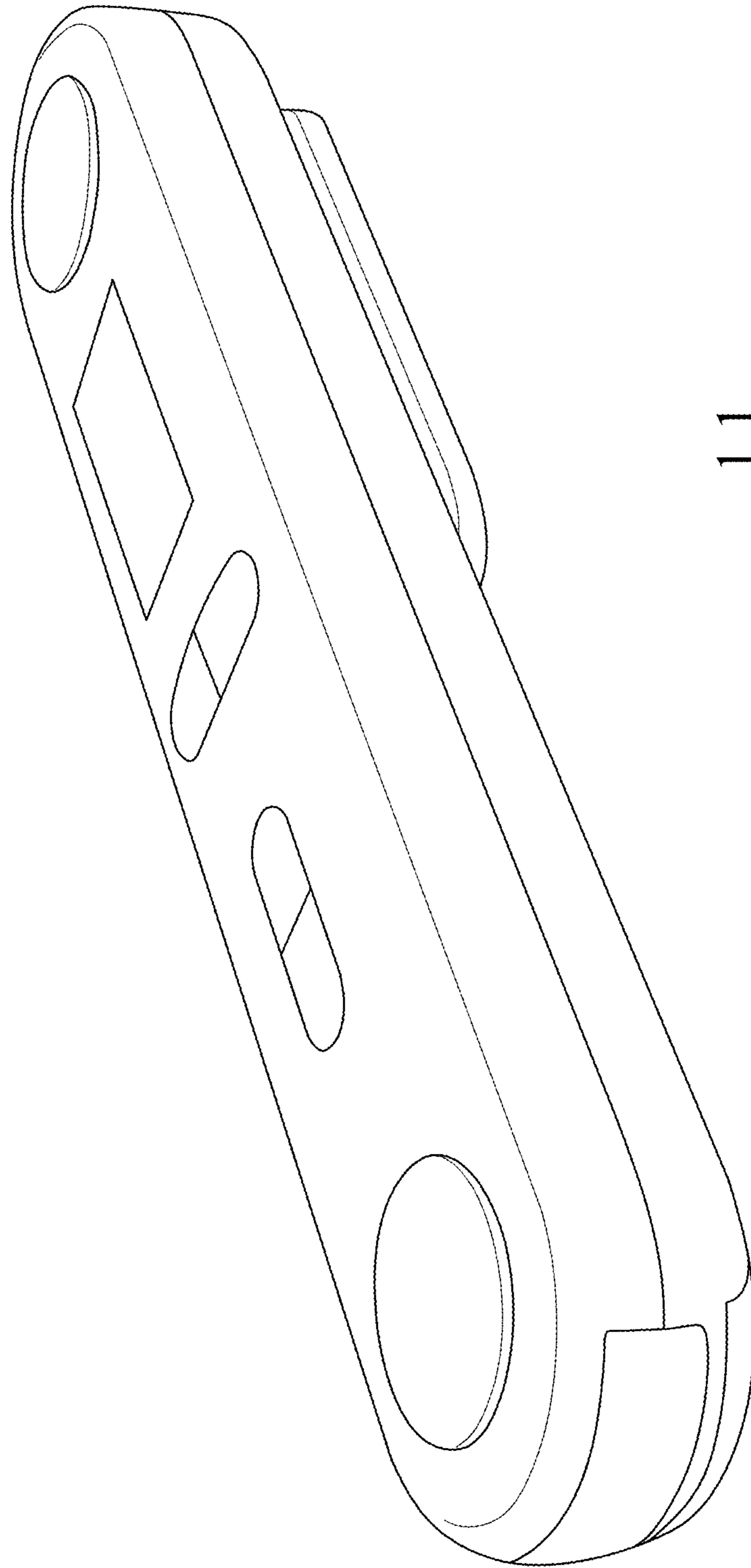
(56) **References Cited**

U.S. PATENT DOCUMENTS

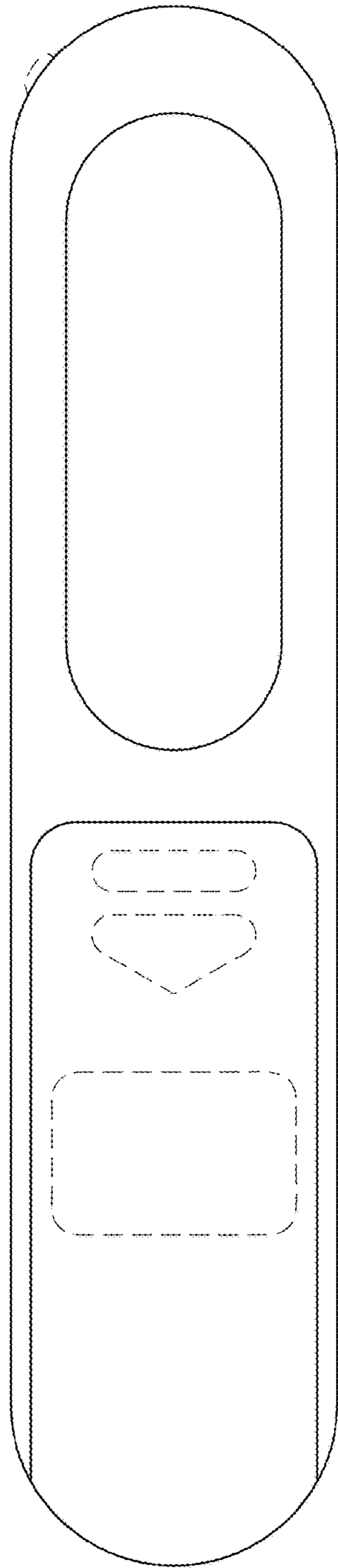
D679,399 S *	4/2013	Syu	D24/167
D733,888 S *	7/2015	Tuhkanen	D24/167
D783,170 S *	4/2017	Carreon	D24/167
D800,313 S *	10/2017	Chang	D24/167

1 Claim, 6 Drawing Sheets

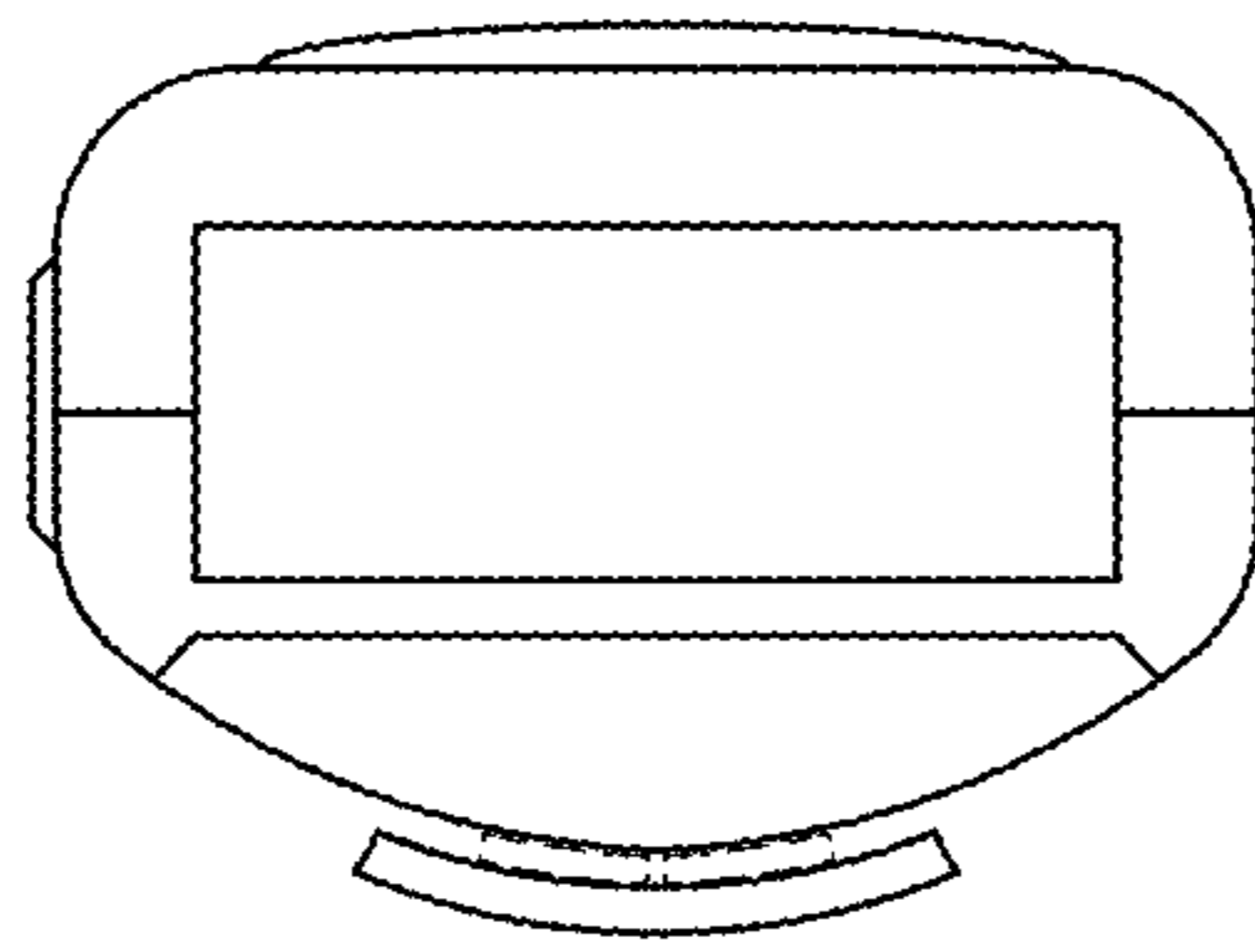




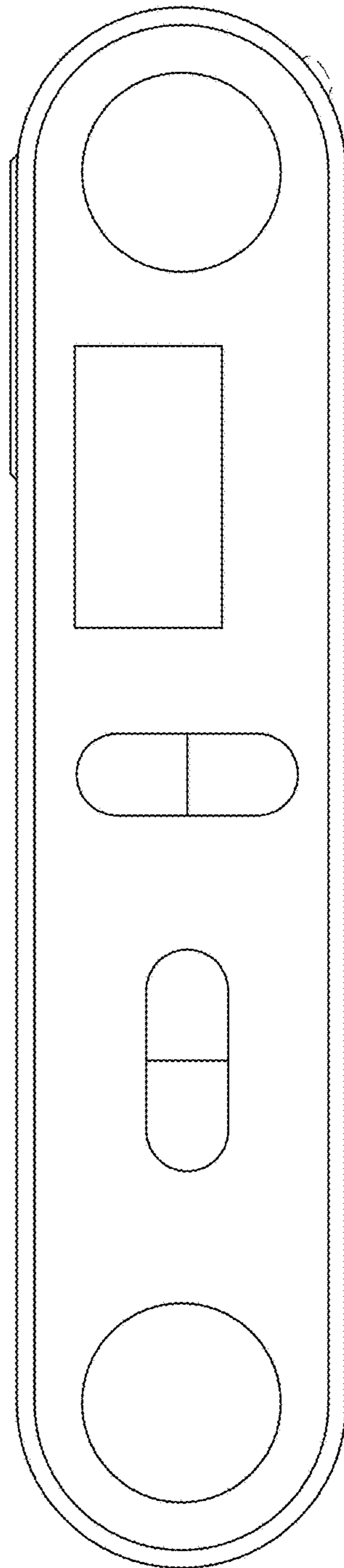
1.1



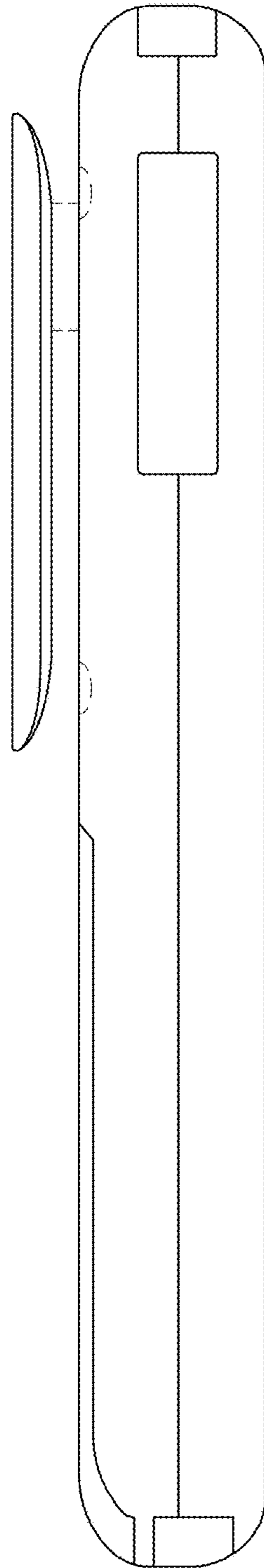
1.2



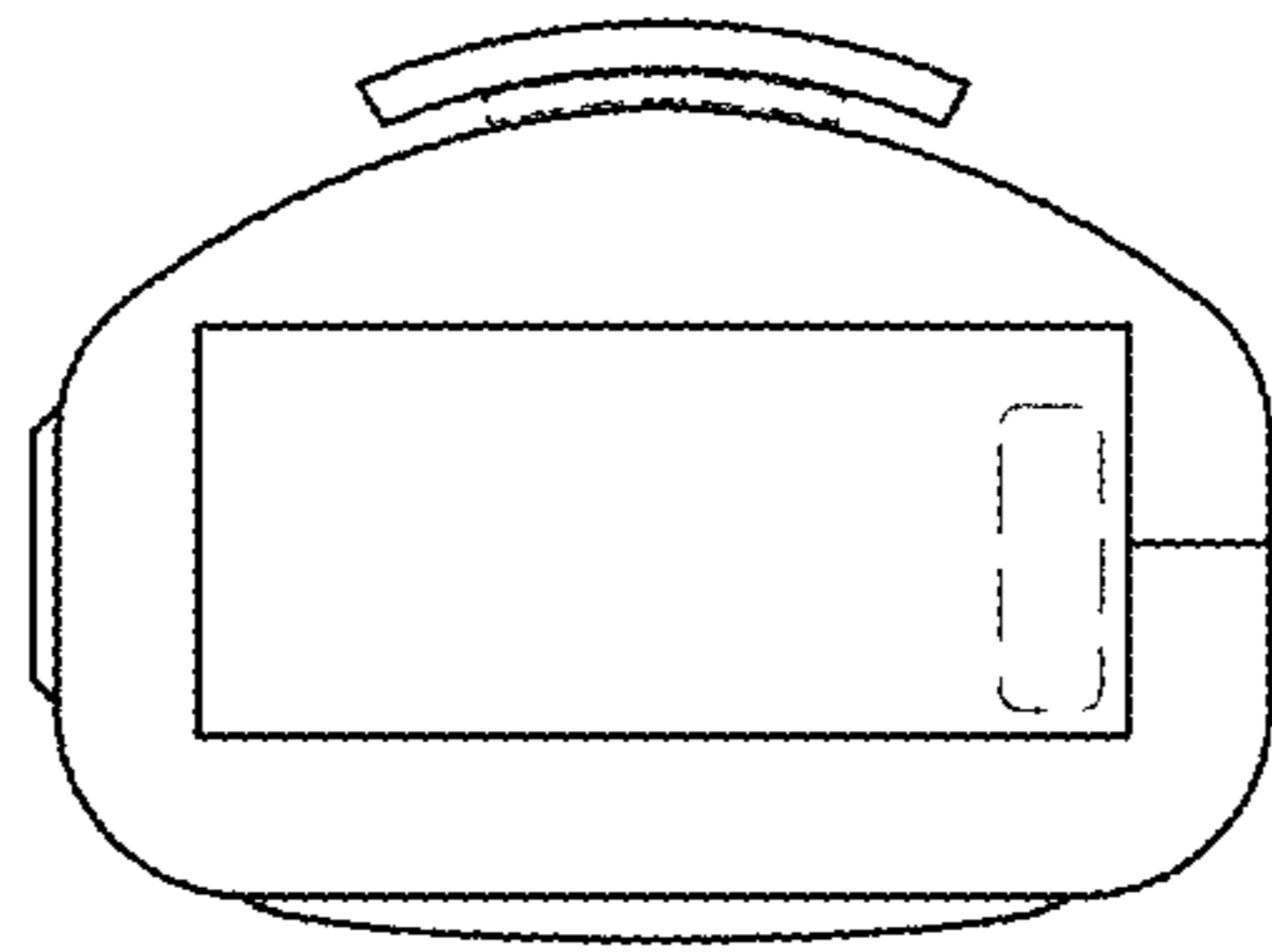
1.3



1.4



1.5



1.6