

US00D830555S

(12) **United States Design Patent**
Lin et al.

(10) **Patent No.:** **US D830,555 S**
(45) **Date of Patent:** **** Oct. 9, 2018**

(54) **ELECTROCARDIOGRAPHY MACHINE**
(71) Applicant: **Largan Health Technology Inc., Apia (WS)**
(72) Inventors: **Yi-Hsin Lin, Taichung (TW); Yu-Jen Chiu, Taichung (TW)**
(73) Assignee: **LARGAN MEDICAL CO., LTD., Taichung (TW)**

D717,955 S * 11/2014 Bishay D24/167
D753,832 S * 4/2016 Lin D24/186
D764,060 S * 8/2016 Singh D24/167
D796,682 S * 9/2017 Falk D24/186
D803,410 S * 11/2017 Im D24/187
D805,926 S * 12/2017 Im D24/186
D806,254 S * 12/2017 Im D24/186
2012/0165645 A1 * 6/2012 Russell A61B 5/0024
600/388
2012/0197150 A1 * 8/2012 Cao A61B 5/0432
600/523
2013/0307685 A1 * 11/2013 Sholder G08B 21/02
340/539.12

(**) Term: **15 Years**

(21) Appl. No.: **29/623,317**

(22) Filed: **Oct. 24, 2017**

(30) **Foreign Application Priority Data**

Jun. 29, 2017 (TW) 106303708

(51) **LOC (11) Cl.** **24-01**

(52) **U.S. Cl.**
USPC **D24/167**

(58) **Field of Classification Search**
USPC D24/107, 165, 167, 168, 186, 187;
D10/70, 98
CPC A61B 5/0402; A61B 5/0404; A61B 5/021;
A61B 5/024; A61B 5/02405; A61B
5/02438; A61B 5/681; A61B 2560/0247;
A61B 2560/0462
See application file for complete search history.

(56) **References Cited**

U.S. PATENT DOCUMENTS

D470,590 S * 2/2003 Maeda D24/167
D537,004 S * 2/2007 Eden D10/70

* cited by examiner

Primary Examiner — Anhdao Doan

(74) *Attorney, Agent, or Firm* — Hanley, Flight & Zimmerman, LLC

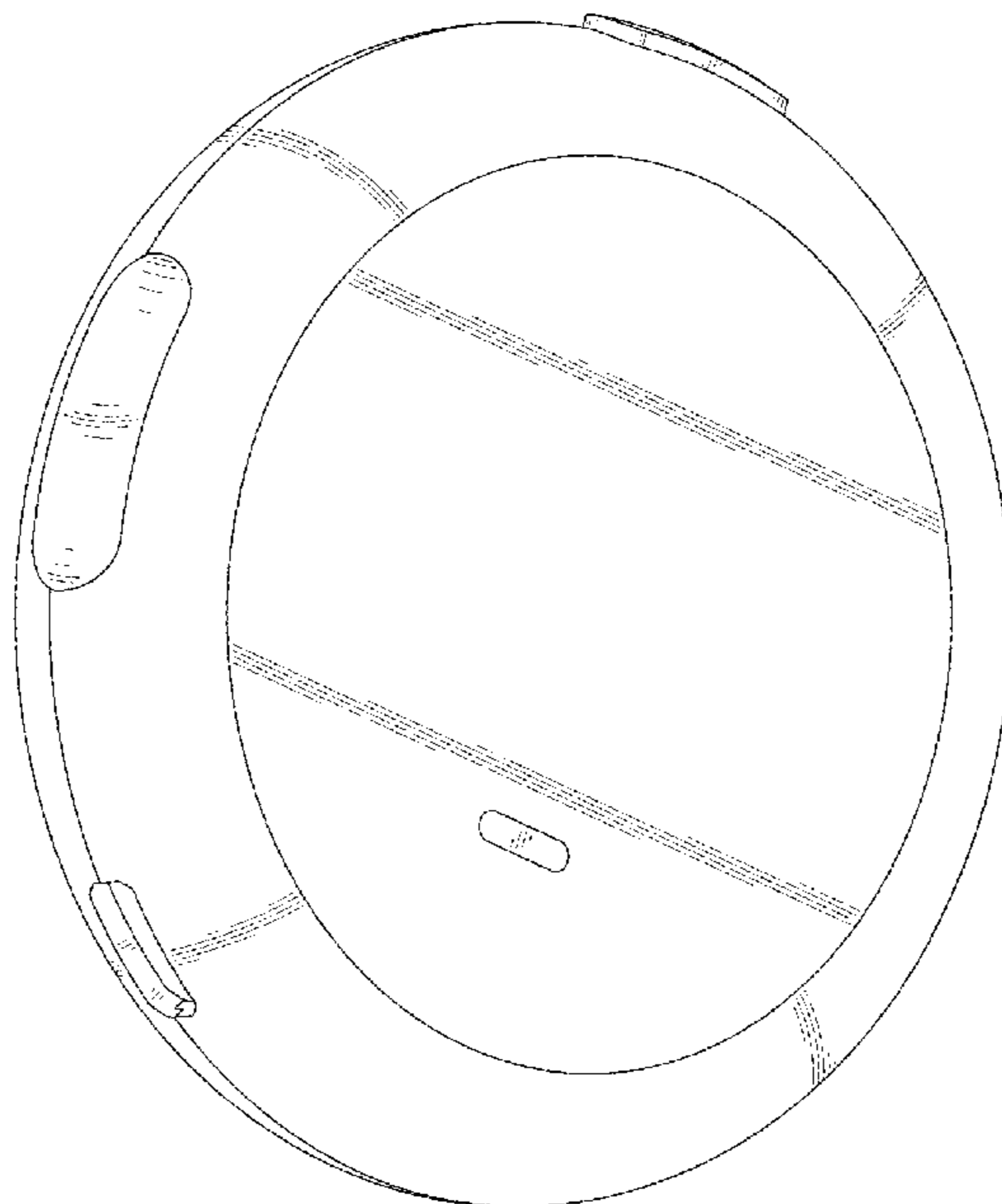
(57) **CLAIM**

The ornamental design for an electrocardiography machine, as shown and described.

DESCRIPTION

FIG. 1 is a bottom front left perspective view of an electrocardiography machine showing our new design; FIG. 2 is a bottom rear right perspective view thereof; FIG. 3 is a front view thereof; FIG. 4 is a rear view thereof; FIG. 5 is a left side view thereof; FIG. 6 is a right side view thereof; FIG. 7 is a top view thereof; and, FIG. 8 is a bottom view thereof.

1 Claim, 8 Drawing Sheets



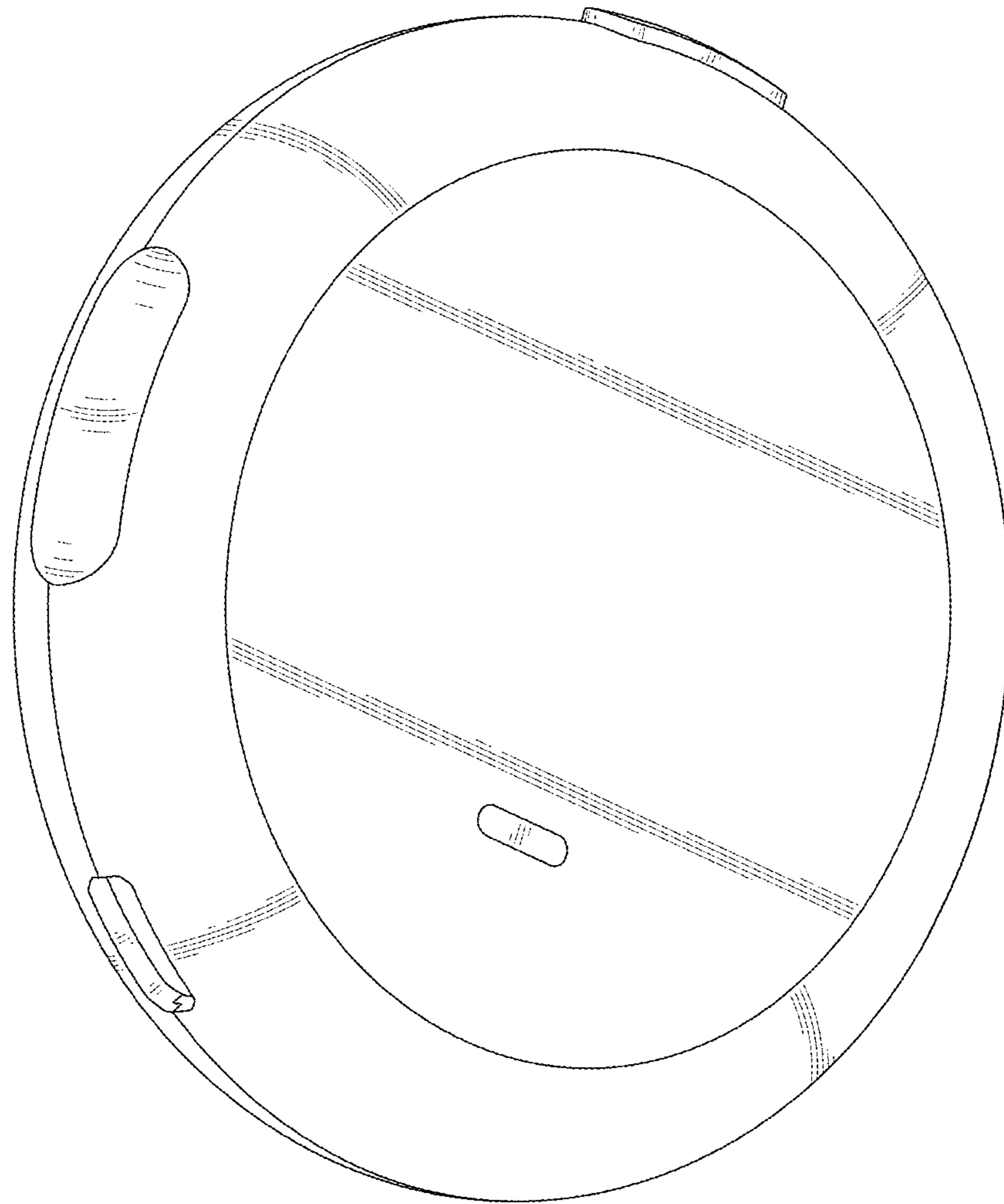


FIG. 1

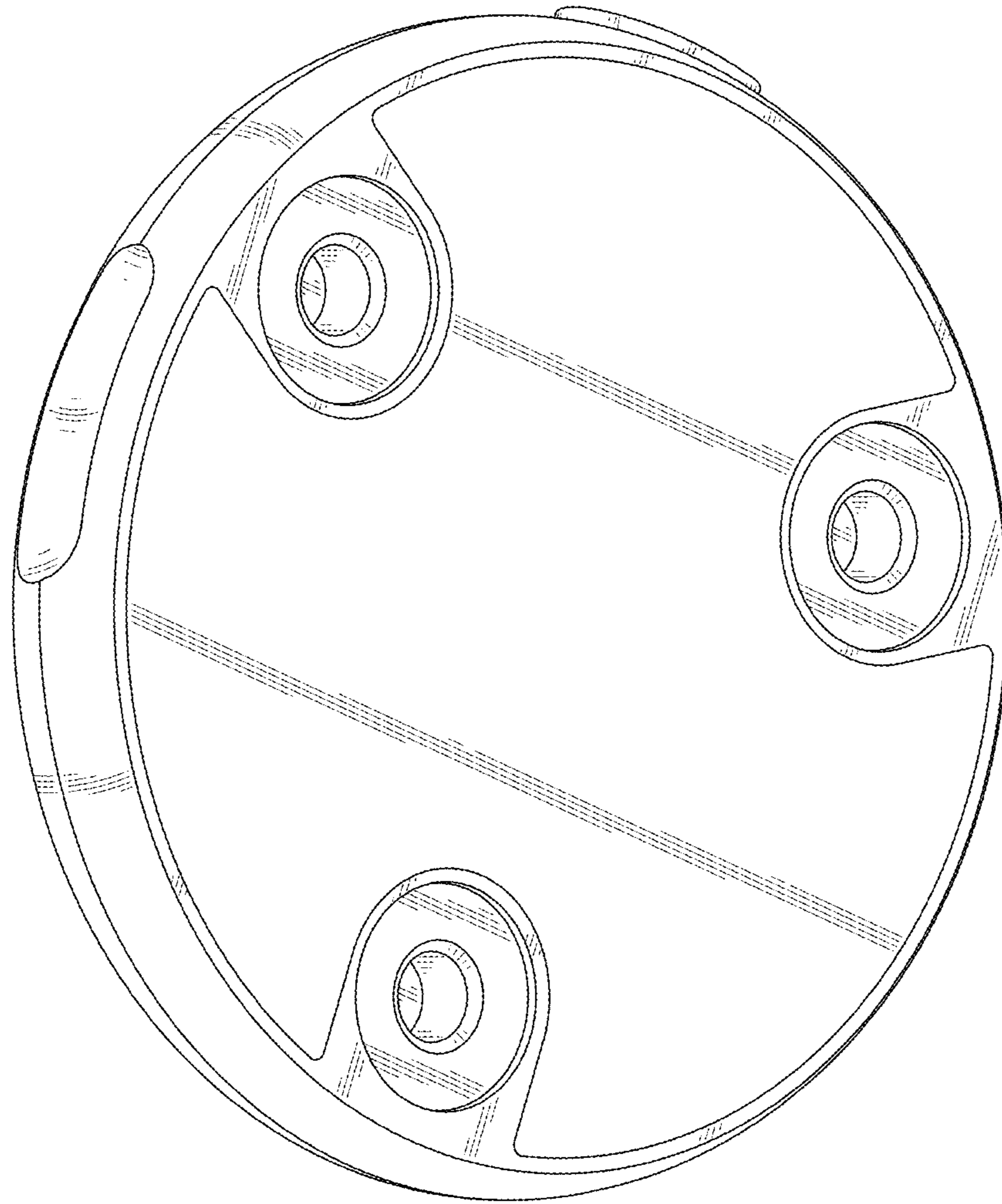


FIG. 2

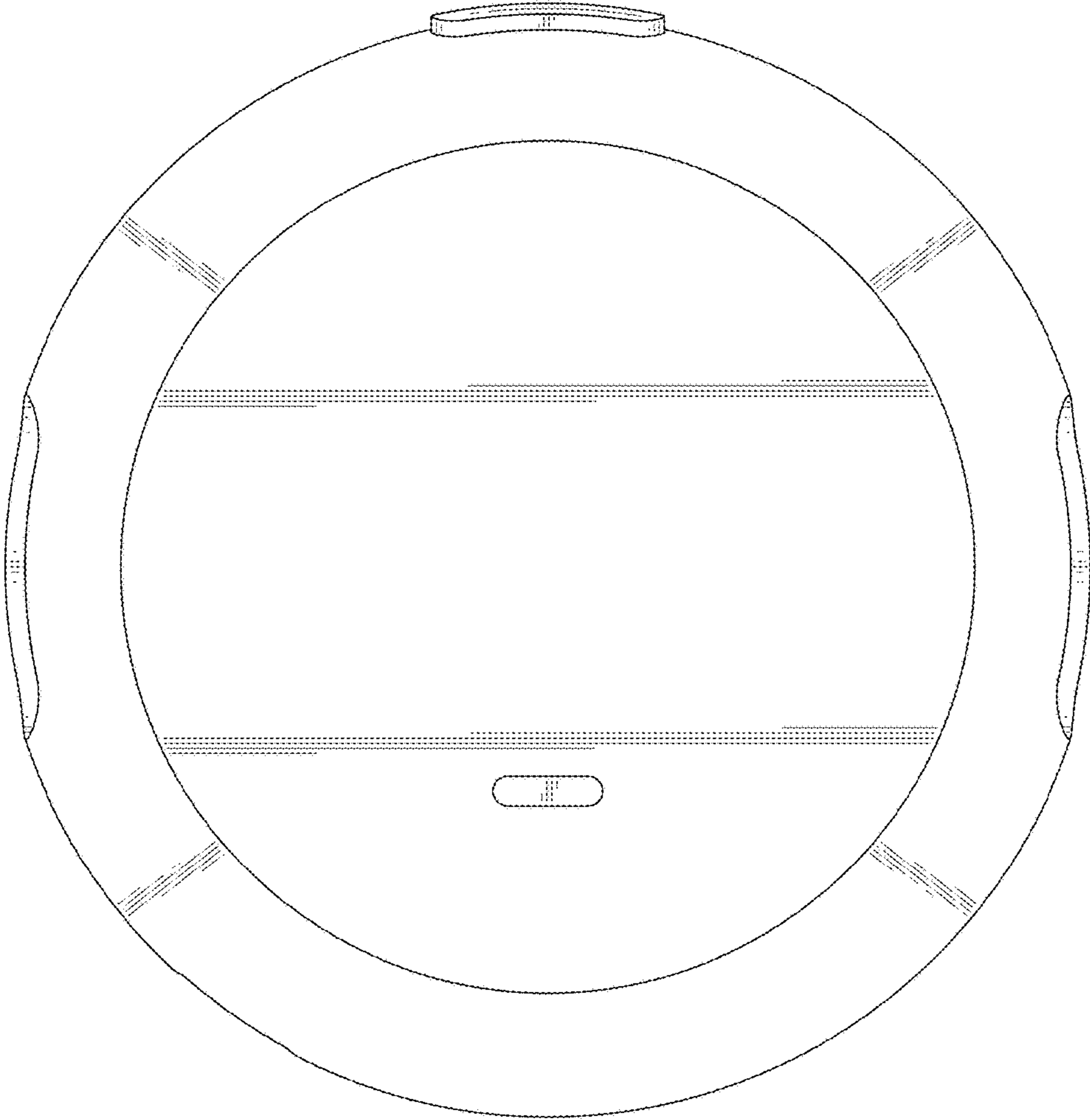


FIG. 3

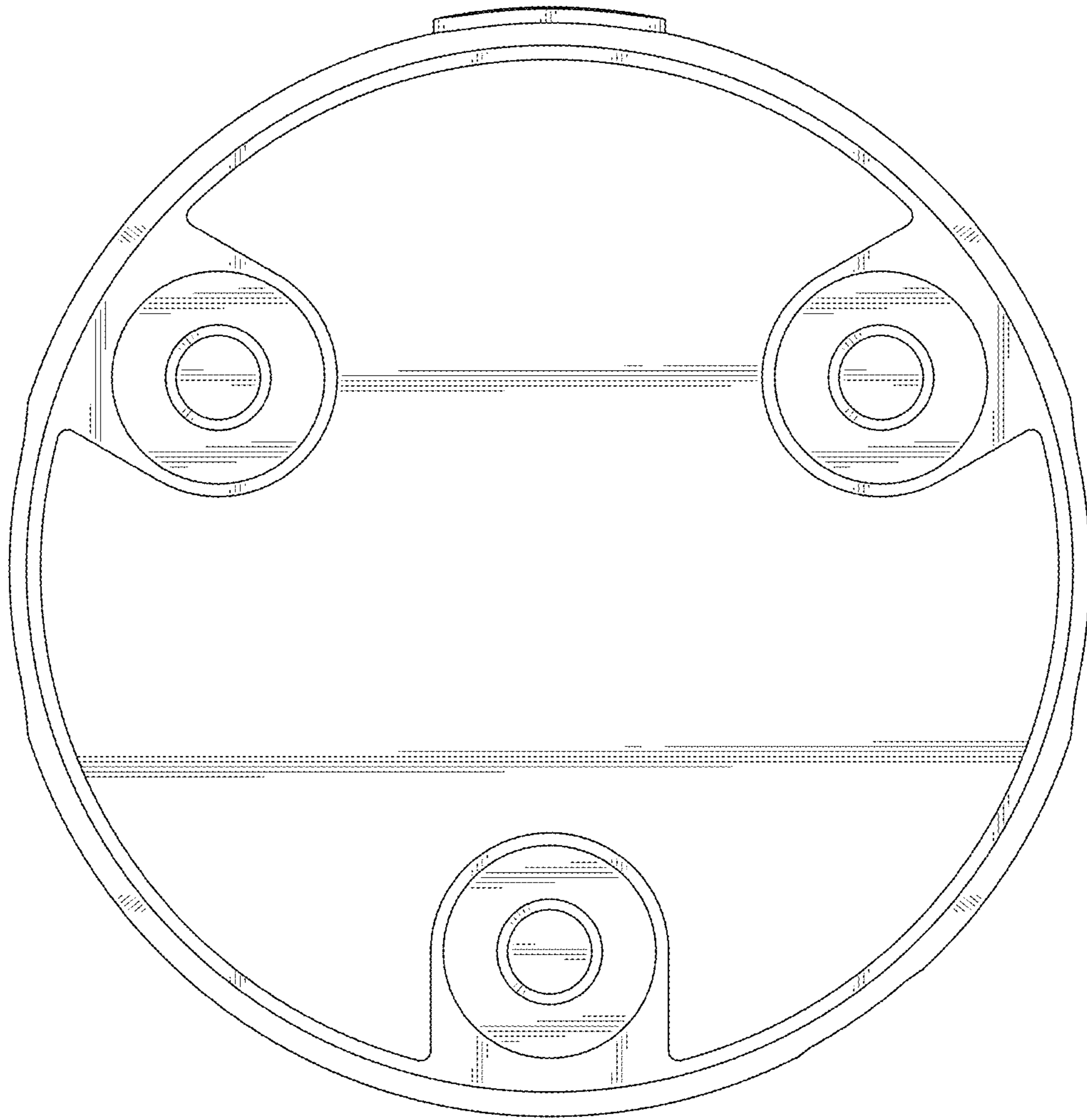


FIG. 4

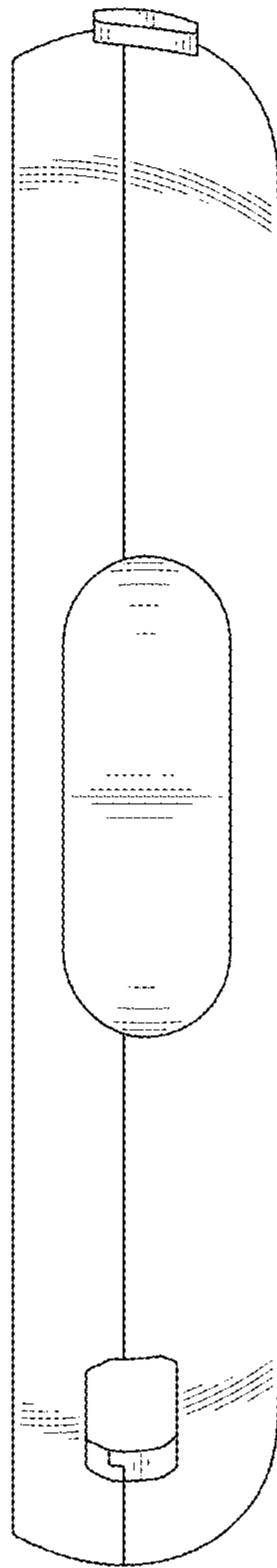


FIG. 5

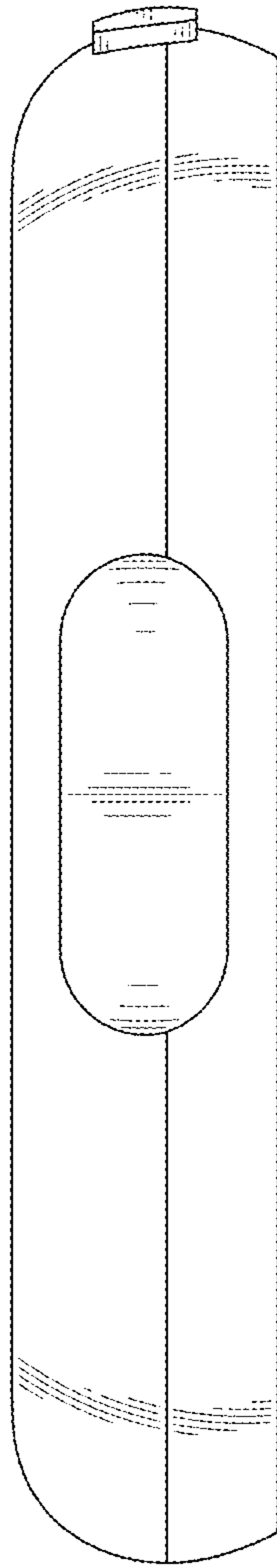


FIG. 6

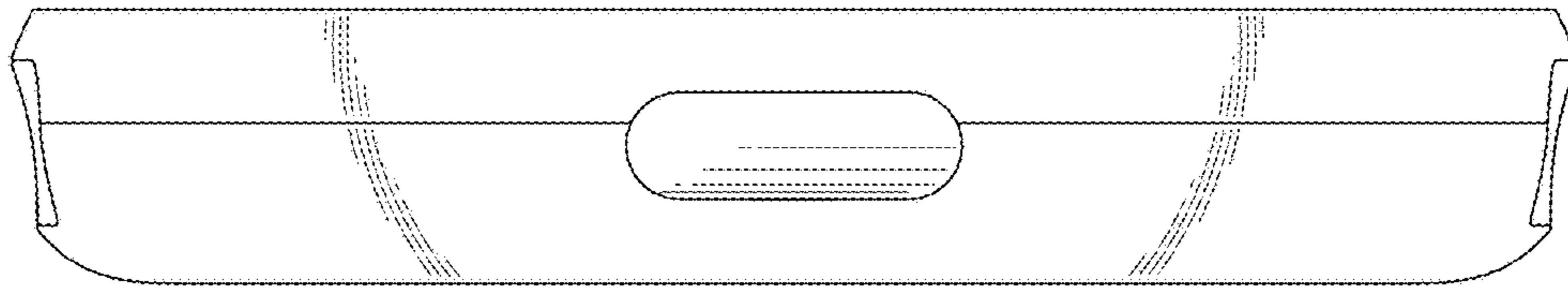


FIG. 7

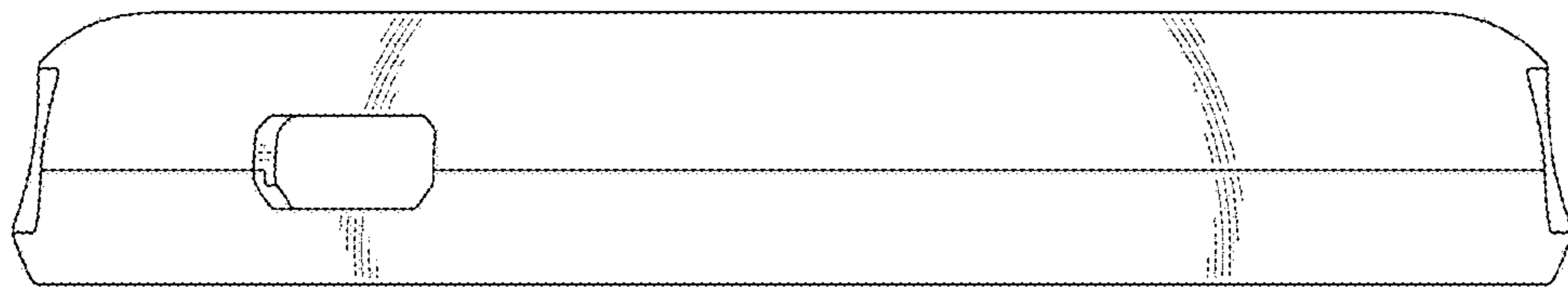


FIG. 8