

US00D830554S

(12) **United States Design Patent** (10) **Patent No.:** **US D830,554 S**
Ballsieper (45) **Date of Patent:** **** Oct. 9, 2018**

- (54) **X-RAY SHIELD**
- (71) Applicant: **Mavig GmbH**, München (DE)
- (72) Inventor: **Barbara Ballsieper**, München (DE)
- (73) Assignee: **Mavig GmbH**, München (DE)
- (**) Term: **15 Years**

D300,945 S	5/1989	Fleming et al.
4,923,162 A	5/1990	Fleming
D310,905 S	10/1990	Marchione
D349,577 S	8/1994	Sayles
D424,198 S	5/2000	Shepherd et al.
6,703,632 B1	3/2004	Macklis
6,779,767 B2 *	8/2004	Kuhn F16M 11/08
		248/276.1

(Continued)

- (21) Appl. No.: **29/628,926**
- (22) Filed: **Dec. 8, 2017**

FOREIGN PATENT DOCUMENTS

CN	201375521 Y	1/2010
JP	2000-166916 A	6/2000
KR	10-2012-0084574 A	7/2012

Related U.S. Application Data

- (62) Division of application No. 29/561,676, filed on Apr. 19, 2016, now Pat. No. Des. 810,943.
- (51) **LOC (11) Cl.** **24-01**
- (52) **U.S. Cl.**
USPC **D24/158**
- (58) **Field of Classification Search**
USPC D24/107, 158-161, 185, 186, 187, 231;
D29/100, 104-107
CPC .. A61B 6/107; G21F 3/00; G21F 3/02; G21Y
2002/501; A61N 2005/1094
See application file for complete search history.

OTHER PUBLICATIONS

Radiation Protection Shields & Drapes of the company Radpad, USA (www.radpad.com), 3 pages.

(Continued)

Primary Examiner — Anhdao Doan
(74) *Attorney, Agent, or Firm* — Nixon & Vanderhye P.C.

(57) **CLAIM**

The ornamental design for an X-ray shield, as shown and described.

(56) **References Cited**

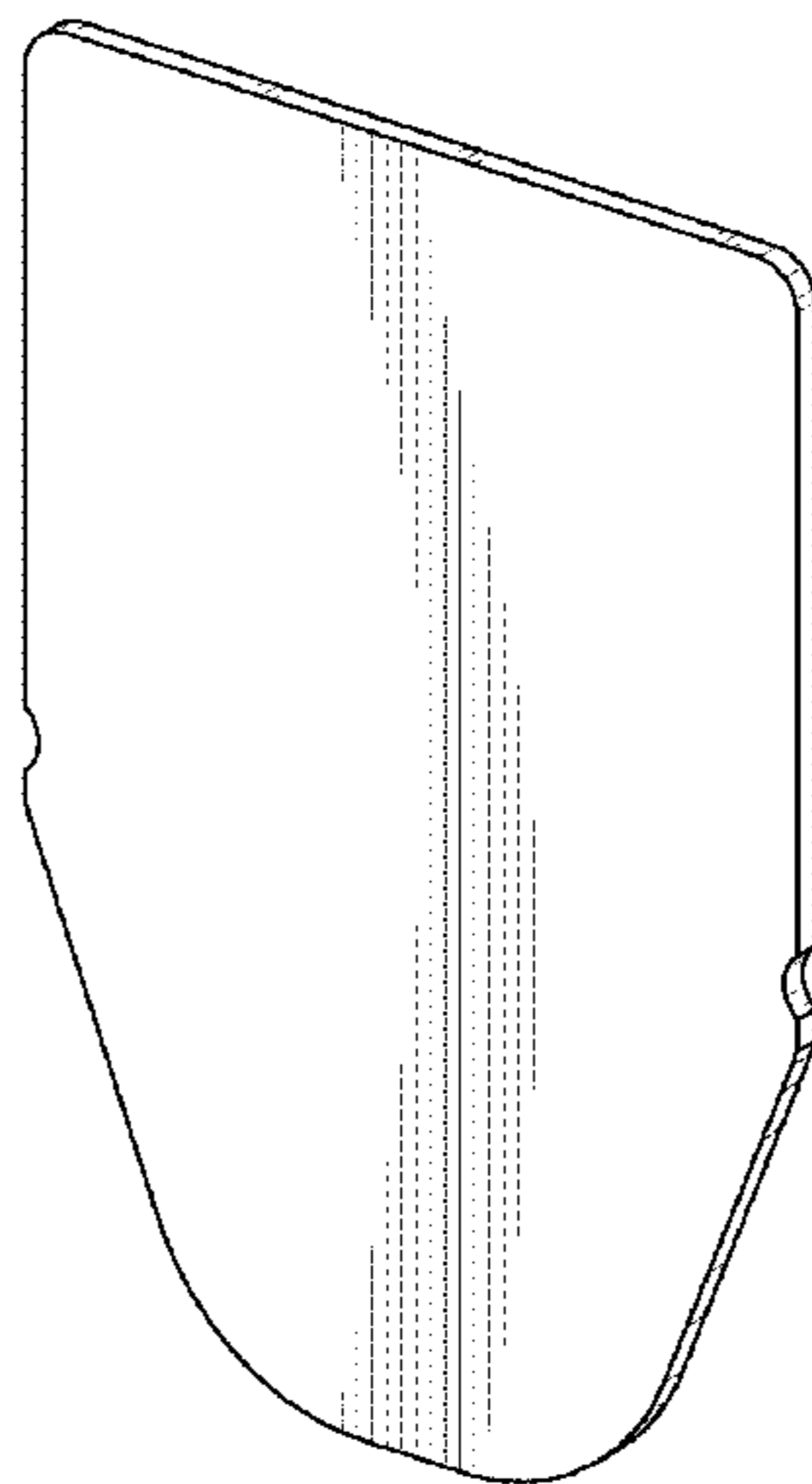
U.S. PATENT DOCUMENTS

1,636,419 A	7/1927	Hollander	
2,105,028 A	1/1938	Dickhoff	
2,239,223 A	4/1941	Gilman	
2,316,055 A *	4/1943	Davey	F41H 5/08
			2/2.5
2,794,128 A	5/1957	Shasky	
D238,615 S	1/1976	Maier	
D241,378 S	9/1976	Burger	
D249,278 S	9/1978	Milligan	
4,196,355 A	4/1980	Maine	
4,254,341 A	3/1981	Herr et al.	
D259,139 S	5/1981	Johnson	
4,386,277 A	5/1983	Forshee	

DESCRIPTION

FIG. 1 is a front perspective view of an X-ray shield showing an embodiment of my new design;
FIG. 2 is a front view thereof;
FIG. 3 is a top view thereof;
FIG. 4 is a bottom view thereof;
FIG. 5 is a side view thereof; and,
FIG. 6 is another front perspective view thereof, with a sample holder shown in broken lines.
The broken lines in FIG. 6 represent environmental subject matter and form no part of the claimed design.

1 Claim, 3 Drawing Sheets



(56)

References Cited

U.S. PATENT DOCUMENTS

D504,194 S 4/2005 Canavan
 D534,003 S 12/2006 McNally
 D556,324 S 11/2007 Oddsdottir et al.
 7,294,845 B2 11/2007 Ballsieper
 D569,044 S 5/2008 Crye
 D569,046 S 5/2008 Crye
 7,608,847 B2 10/2009 Rees
 7,744,278 B2 6/2010 Barkow et al.
 D629,109 S 12/2010 Phillips
 D629,110 S 12/2010 Brettle et al.
 D639,076 S 6/2011 Fukui
 D716,449 S 10/2014 Ballsieper
 D748,337 S * 1/2016 Battaglieri D29/101.3
 D751,710 S 3/2016 Ballsieper
 D772,415 S 11/2016 Ballsieper
 D775,340 S 12/2016 Ballsieper
 D809,208 S * 1/2018 Battaglieri D29/100
 2007/0089596 A1 * 4/2007 Huber F41H 5/0428
 2009/0323892 A1 12/2009 Hitzke 89/36.02

2012/0186590 A1 7/2012 Byers
 2013/0270462 A1 10/2013 Beck
 2013/0299723 A1 11/2013 Murase
 2015/0041686 A1 2/2015 Pizarro
 2017/0004895 A1 1/2017 Holman

OTHER PUBLICATIONS

Radiation Protection Covers, Kenex, Great Britain, www.kenex.co.uk.
 Radiation Protection Covers, Aadco, U.S.A., www.aadcomed.com.
 Radiation Protection Covers, Beijing Huaren, China, bjuaren.com.
 Radiation Protection Covers, Mavig, USA.
 U.S. Appl. No. 29/466,485, filed Sep. 9, 2013, Ballsieper.
 U.S. Appl. No. 29/502,311, filed Sep. 15, 2014, Ballsieper.
 U.S. Appl. No. 29/503,390, filed Sep. 25, 2014, Ballsieper.
 U.S. Appl. No. 29/553,475, filed Feb. 2, 2016, Ballsieper.
 U.S. Appl. No. 29/556,915, filed Mar. 4, 2016, Ballsieper et al.
 U.S. Appl. No. 29/561,676, filed Apr. 19, 2016, Ballsieper (parent application).

* cited by examiner

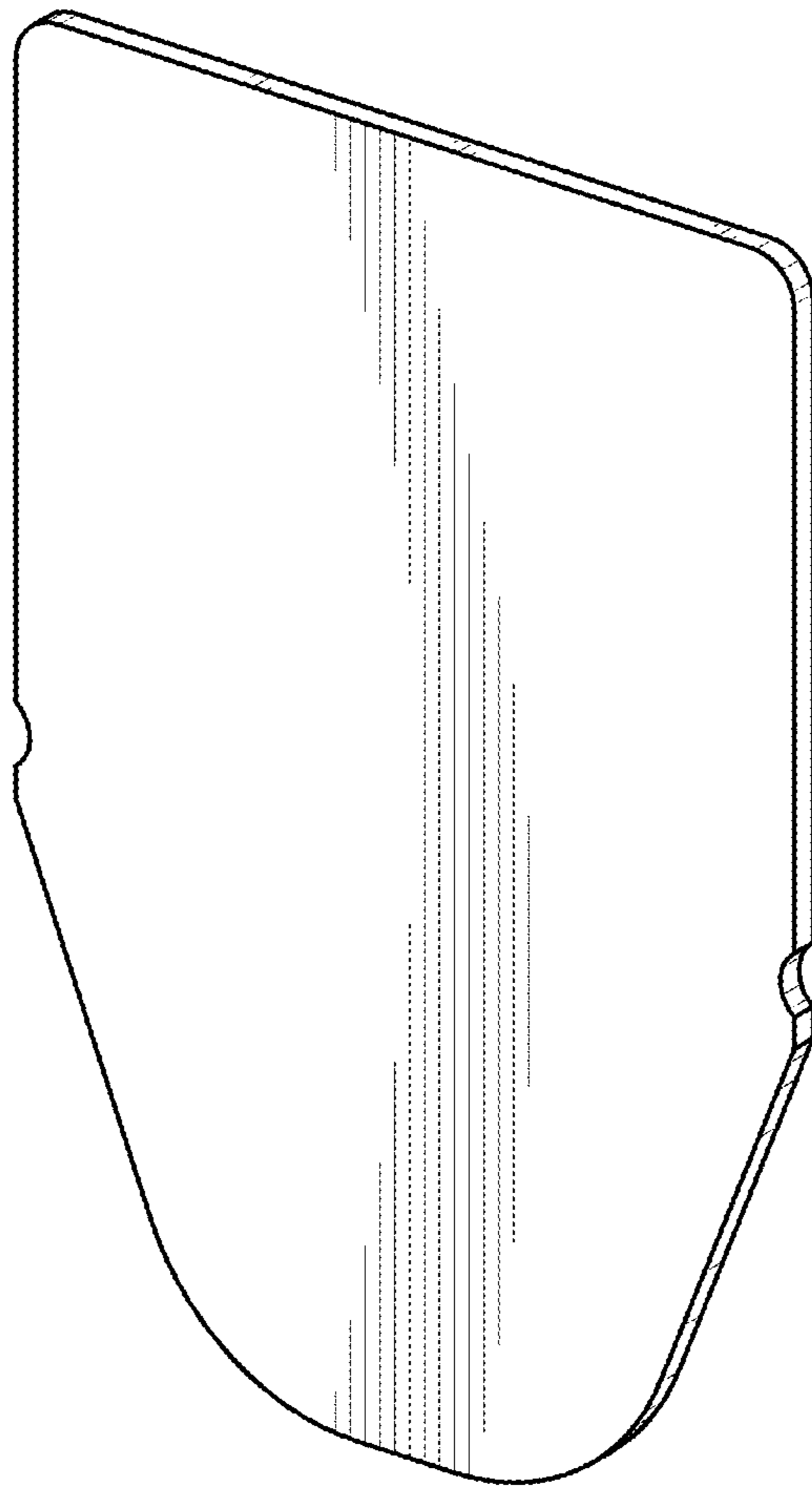


FIG. 1

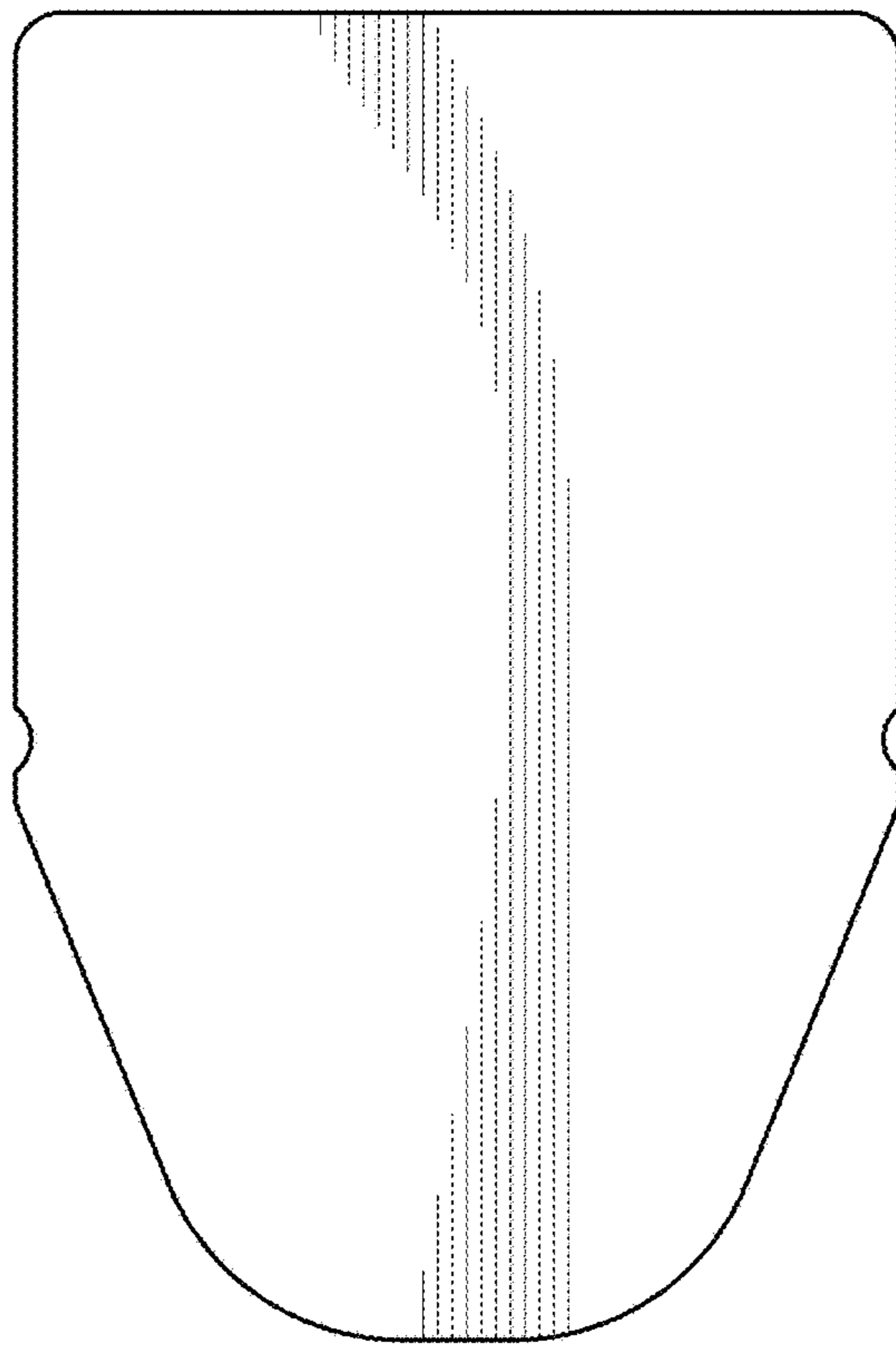


FIG. 2

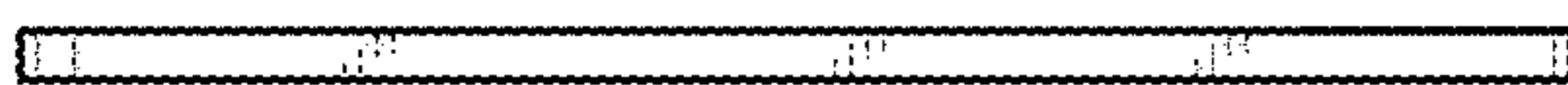


FIG. 3



FIG. 4

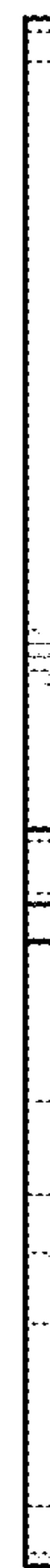


FIG. 5

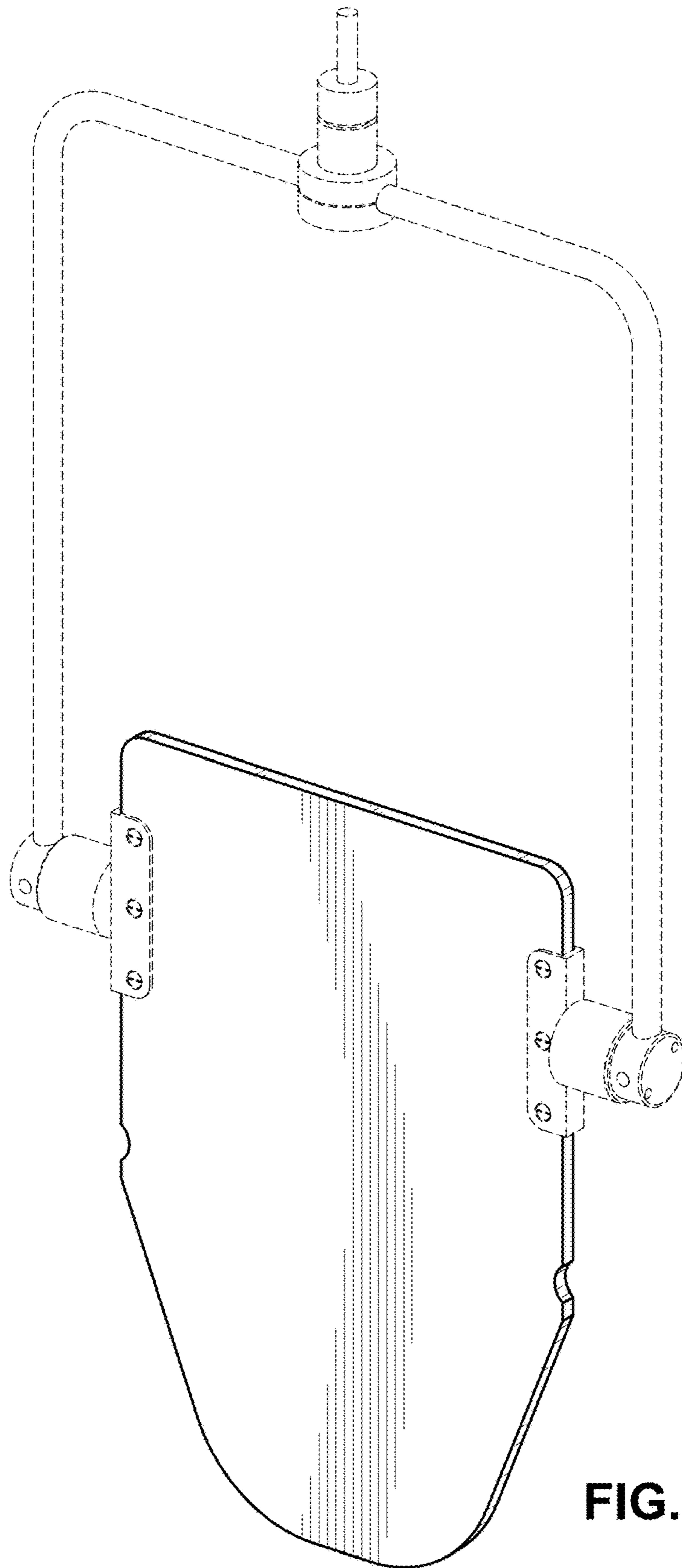


FIG. 6