



US00D830552S

(12) **United States Design Patent**  
**Wonderley**

(10) **Patent No.:** **US D830,552 S**  
(45) **Date of Patent:** **\*\* Oct. 9, 2018**

- (54) **DERMA BLADE**
- (71) Applicant: **ACCUTECH BLADES, INC.**, Verona, VA (US)
- (72) Inventor: **Jeffrey Wonderley**, Fort Defiance, VA (US)
- (73) Assignee: **ACCUTECH BLADES, INC.**, Verona, VA (US)
- (\*\*) Term: **15 Years**
- (21) Appl. No.: **29/612,082**
- (22) Filed: **Jul. 28, 2017**
- (51) **LOC (11) Cl.** ..... **24-02**
- (52) **U.S. Cl.**  
USPC ..... **D24/147; D24/133**
- (58) **Field of Classification Search**  
USPC ..... D24/112-114, 146, 147, 133; D28/58, D28/59, 62, 57; D8/14, 107, 300, 301, D8/302, 303, 307, 311, 312, 315, 321; D9/434; D7/393, 394, 395; 30/287  
CPC ..... A61B 17/322; A61B 2017/00761; A61B 2017/0042; A61B 10/0233; A61B 2017/320004; A61B 2017/320008; A61B 17/3205; A61B 10/0266; A61B 2017/00424; B26B 21/56; B26B 5/006  
See application file for complete search history.

D552,795 S \* 10/2007 Wonderley ..... D24/133  
 D778,706 S \* 2/2017 Atkins ..... D8/303  
 2011/0130678 A1\* 6/2011 Williamson, IV .....  
 A61B 17/3205  
 600/564

**OTHER PUBLICATIONS**

[https://www.pfmmedical.com/en/productcatalogue/kai\\_biopsyblades/biopsiblade\\_bb\\_01/index.html](https://www.pfmmedical.com/en/productcatalogue/kai_biopsyblades/biopsiblade_bb_01/index.html). Date of search, Jun. 15, 2017.

\* cited by examiner

*Primary Examiner* — Thomas J Johannes  
*Assistant Examiner* — Samantha Q. Lawrence  
(74) *Attorney, Agent, or Firm* — McGuireWoods LLP

(57) **CLAIM**

We claim the ornamental design for the derma blade, as shown and described.

**DESCRIPTION**

FIG. 1 is a front perspective view of a derma blade; FIG. 2 is a front view of the blade of FIG. 1; FIG. 3 is a rear view of the blade of FIG. 1; FIG. 4 is a right side view of the blade of FIG. 1; FIG. 5 is an left side view of the blade of FIG. 1; FIG. 6 is a top view of the blade of FIG. 1; FIG. 7 is a bottom view of the blade of FIG. 1; FIG. 8 is a bottom perspective of the blade of FIG. 1; and, FIG. 9 is an environmental perspective view of the blade of FIG. 1.

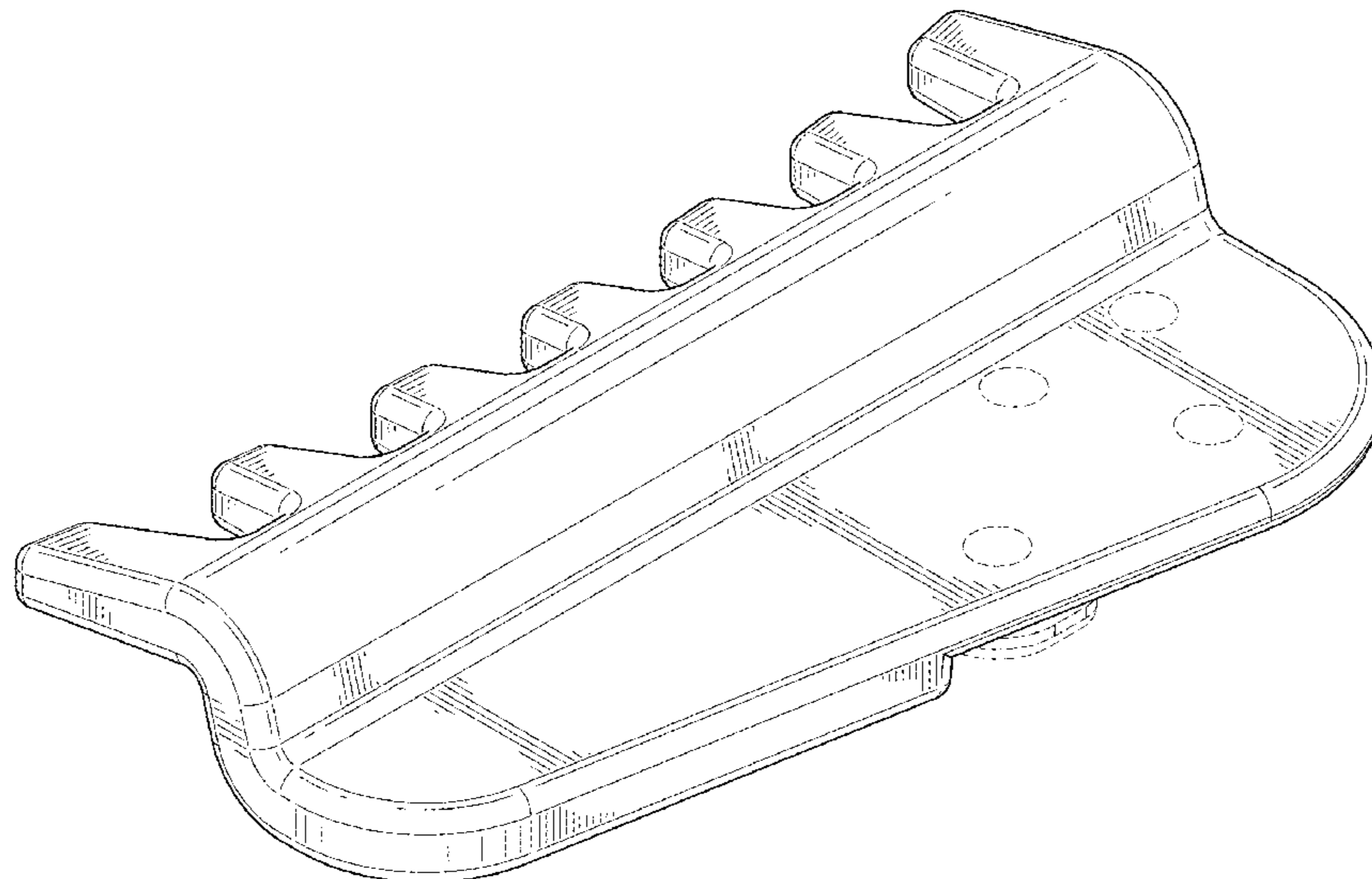
The broken lines shown in FIGS. 1-9 illustrate portions of the derma blade that form no part of the claimed design. The remaining broken lines shown in FIG. 9 illustrate environment and form no part of the claimed design.

**1 Claim, 7 Drawing Sheets**

(56) **References Cited**

**U.S. PATENT DOCUMENTS**

- 5,628,759 A \* 5/1997 McCool ..... A61B 17/32093 30/32
- 5,674,234 A \* 10/1997 McCool ..... A61B 17/32093 30/32
- D402,367 S \* 12/1998 McCool ..... D24/146
- D404,486 S \* 1/1999 McCool ..... D24/146
- D467,387 S \* 12/2002 Wonderley ..... D28/45



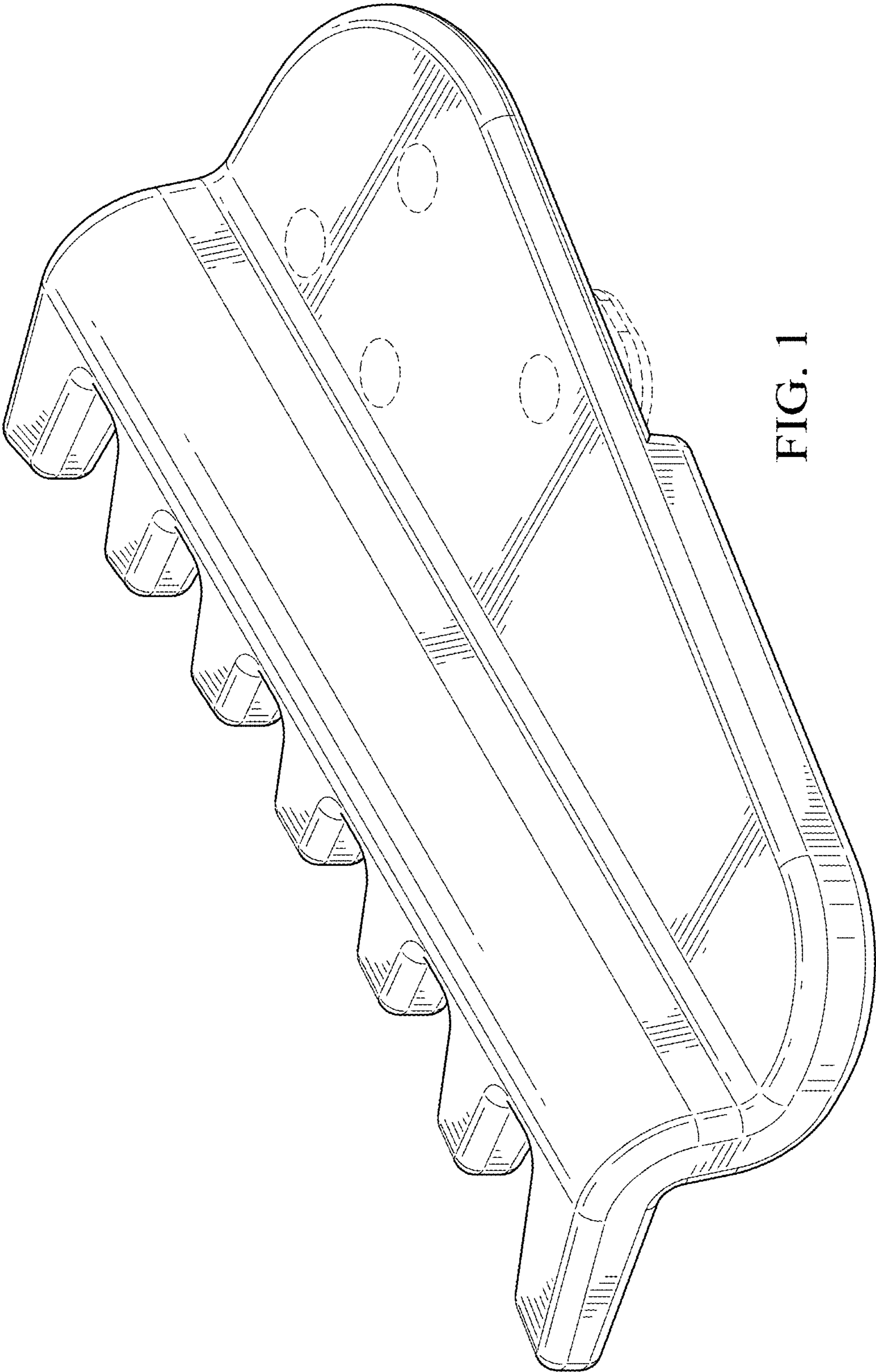


FIG. 1

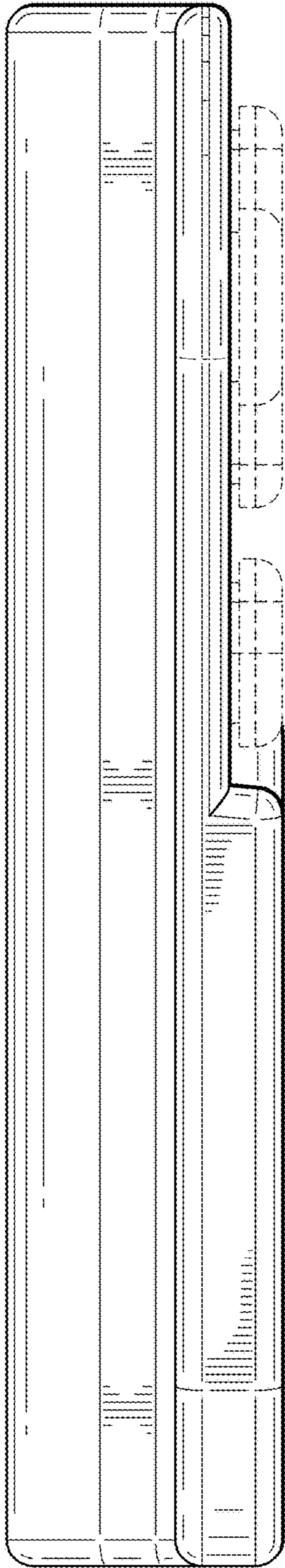


FIG. 2

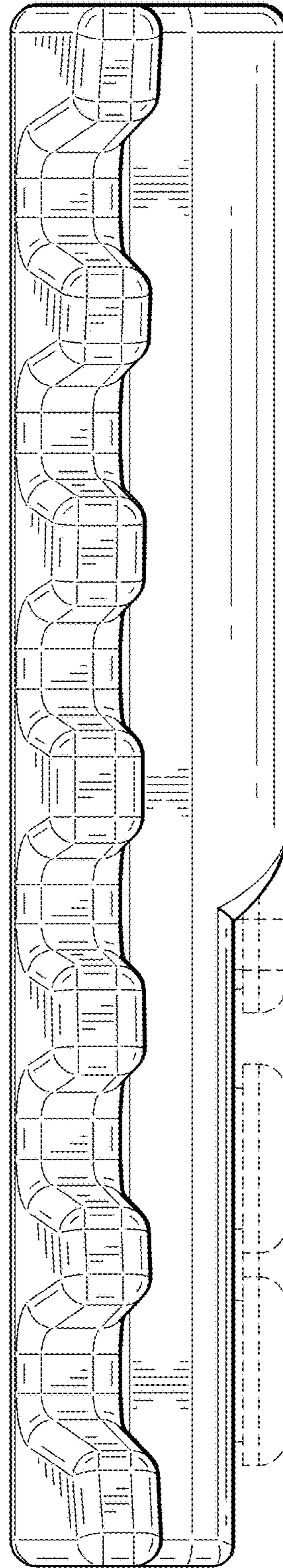


FIG. 3

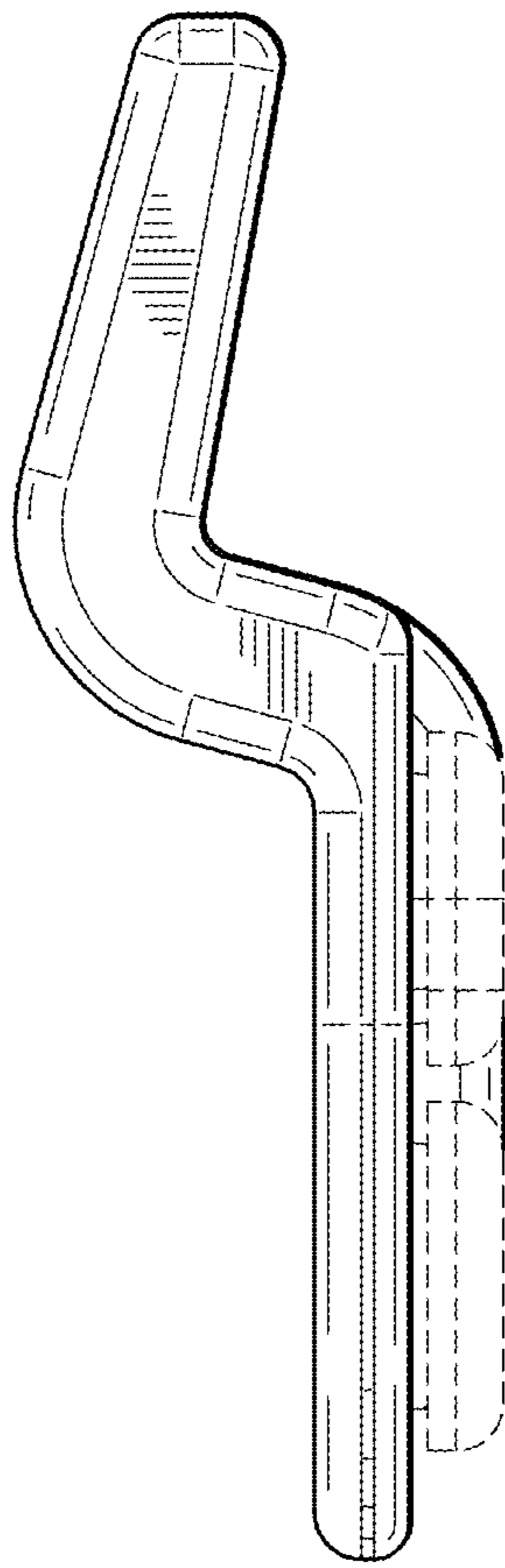


FIG. 4

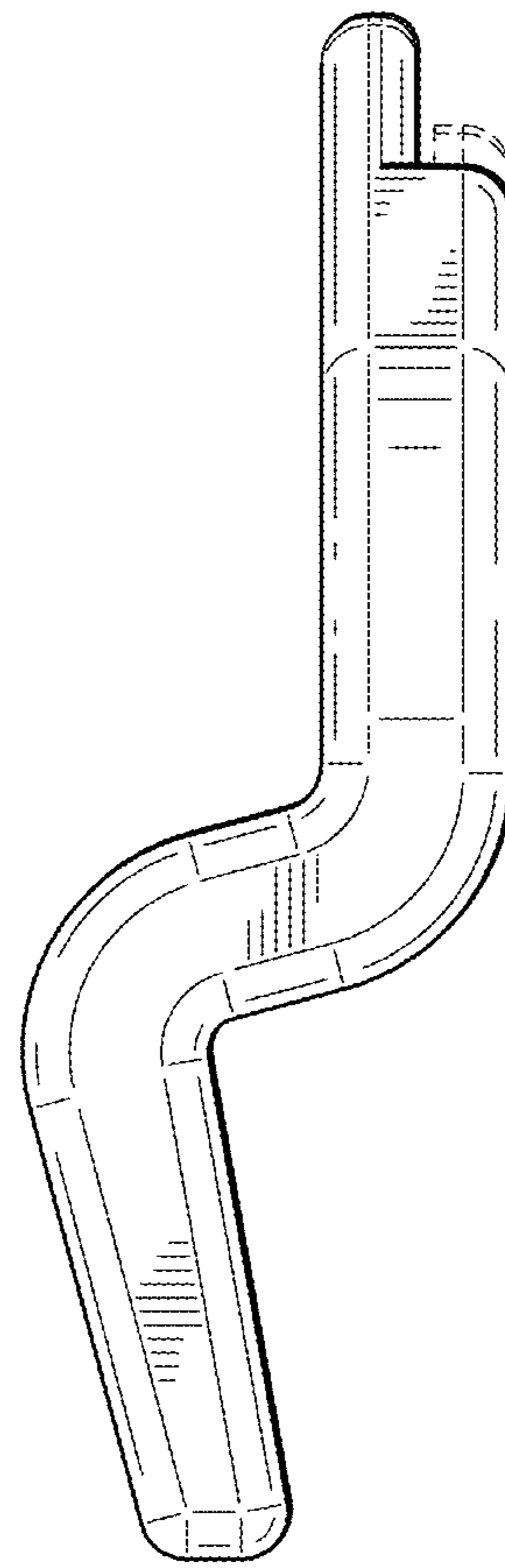


FIG. 5

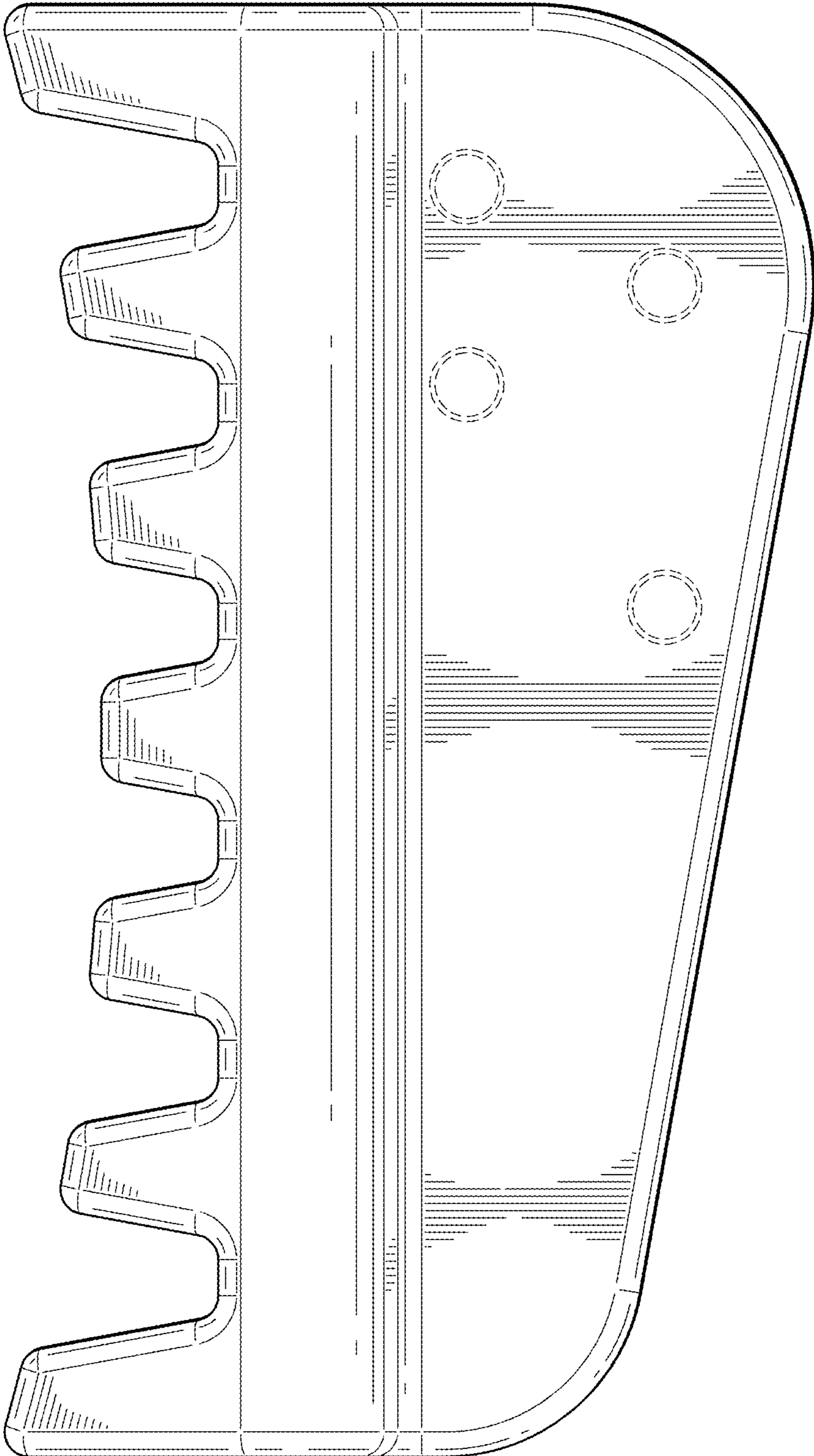


FIG. 6

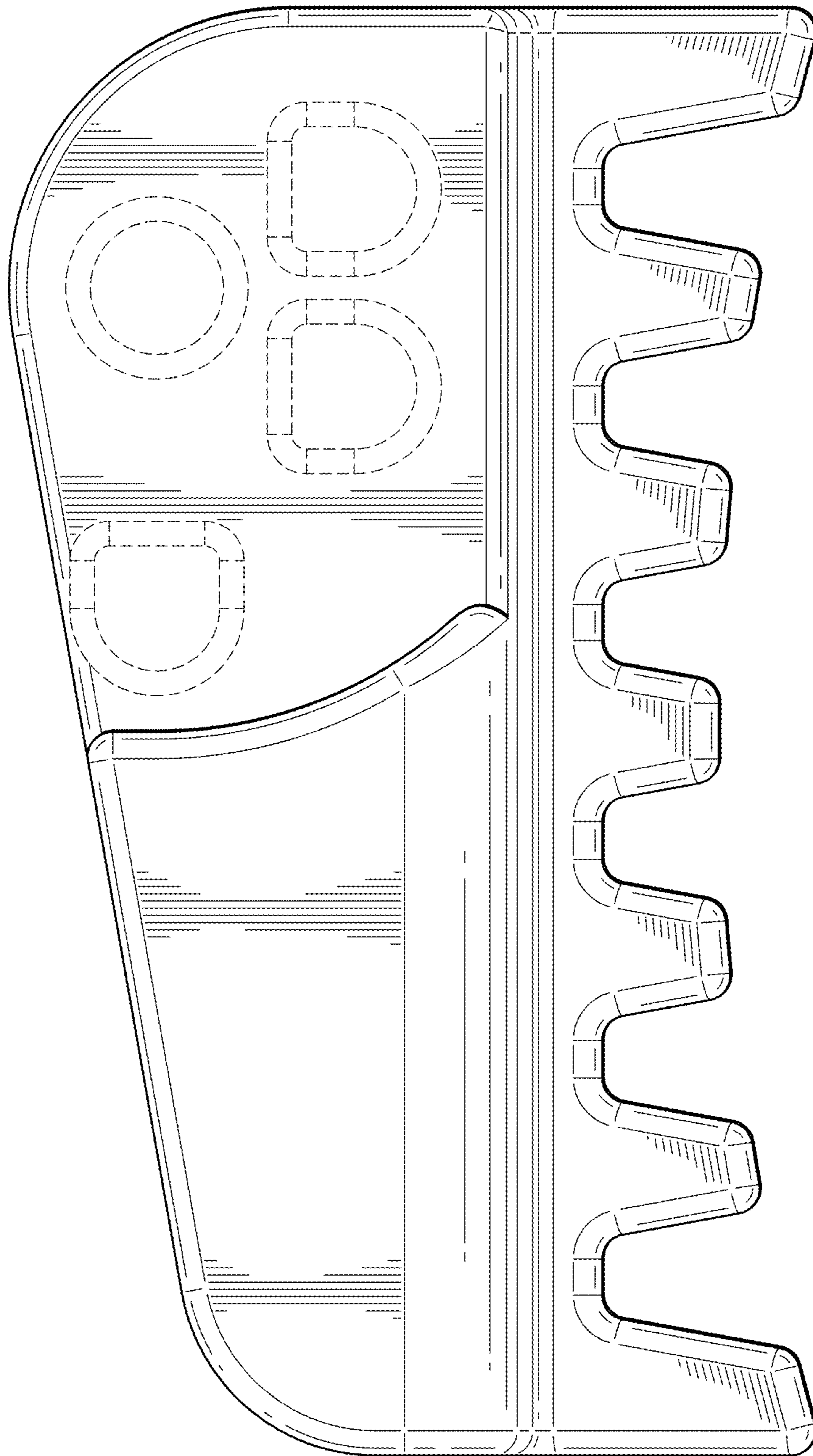


FIG. 7

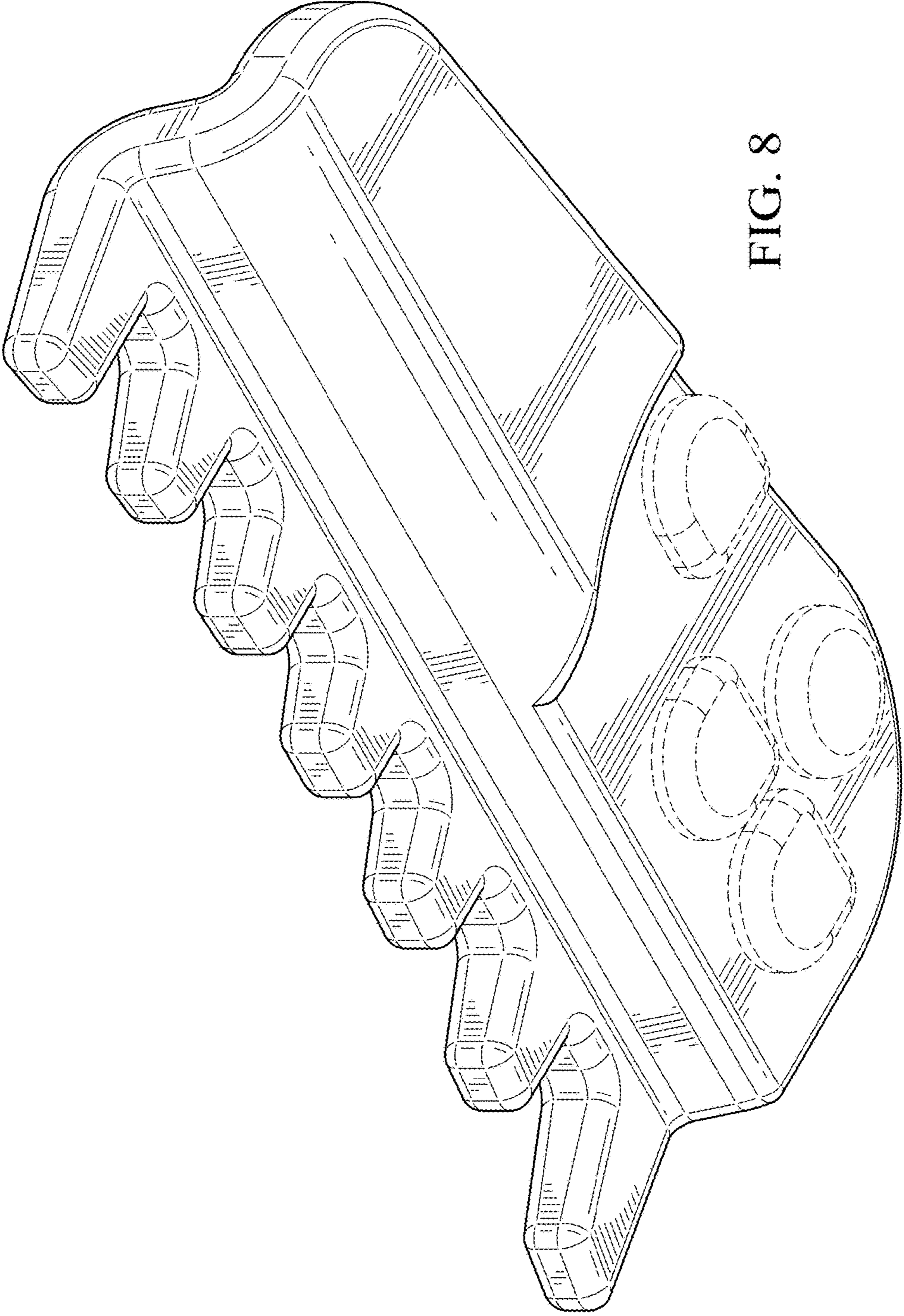


FIG. 8

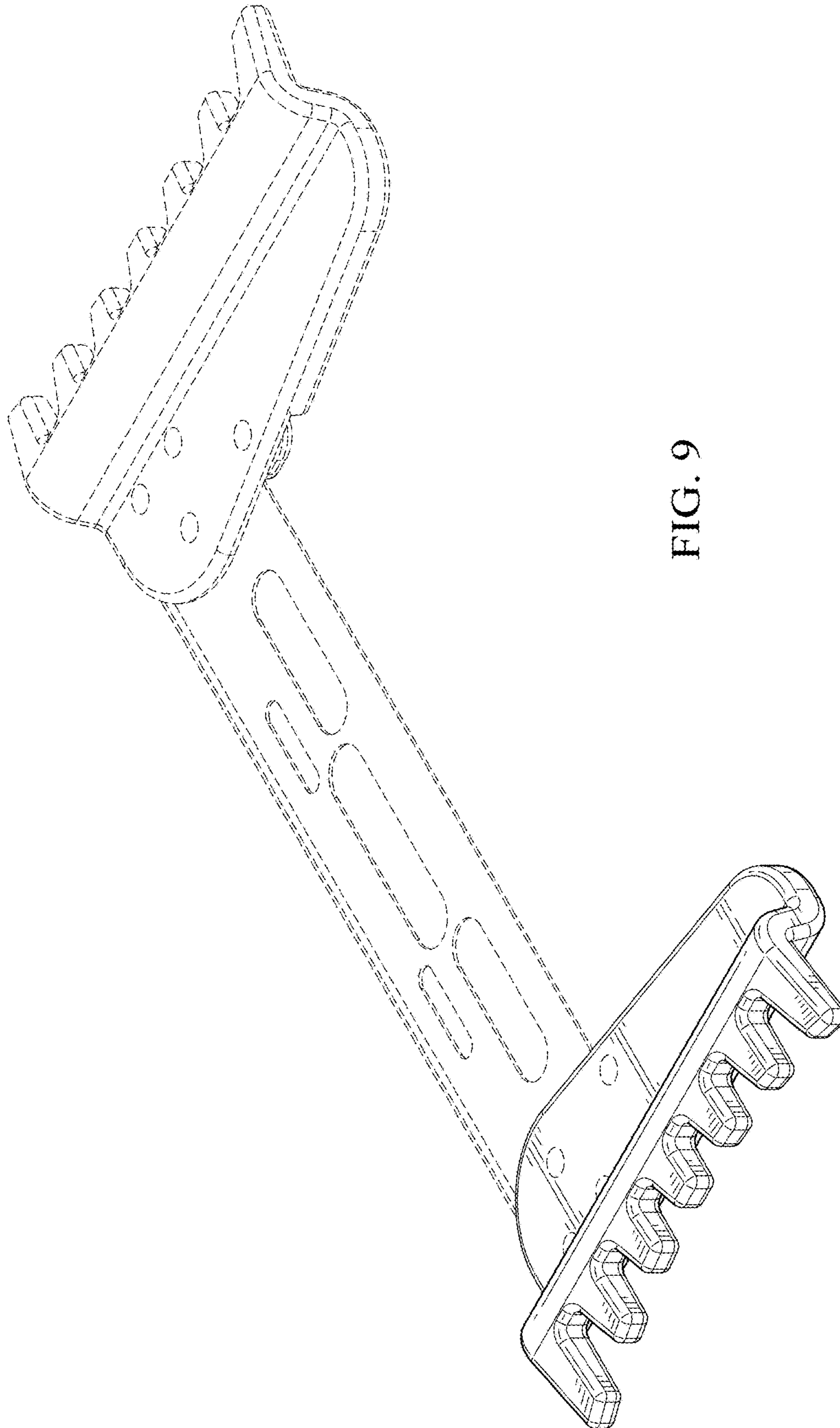


FIG. 9