



US00D830551S

(12) **United States Design Patent** (10) **Patent No.:** **US D830,551 S**
Bratbak et al. (45) **Date of Patent:** **** Oct. 9, 2018**

(54) **MEDICAL INSTRUMENT**

(71) Applicant: **Norwegian University of Science and Technology (NTNU), Trondheim (NO)**

(72) Inventors: **Daniel Fossum Bratbak, Trondheim (NO); Ståle Nordgård, Heimdal (NO)**

(73) Assignee: **Norwegian University of Science and Technology (NTNU), Trondheim (NO)**

(**) Term: **14 Years**

(21) Appl. No.: **29/483,969**

(22) Filed: **Mar. 5, 2014**

(30) **Foreign Application Priority Data**

Sep. 6, 2013 (EM) 00138389700010010

(51) **LOC (11) Cl.** **24-02**

(52) **U.S. Cl.**
USPC **D24/146**

(58) **Field of Classification Search**
USPC D24/146, 147, 112, 113, 128, 133, 137,
D24/141; 600/567; 604/506, 95.01
(Continued)

(56) **References Cited**

U.S. PATENT DOCUMENTS

D608,889 S * 1/2010 Tenger D24/137
D611,598 S * 3/2010 Tenger D24/133
(Continued)

Primary Examiner — Lakiya G Rogers

Assistant Examiner — Carissa C Fitts

(74) *Attorney, Agent, or Firm* — Eversheds Sutherland
(US) LLP

(57) **CLAIM**

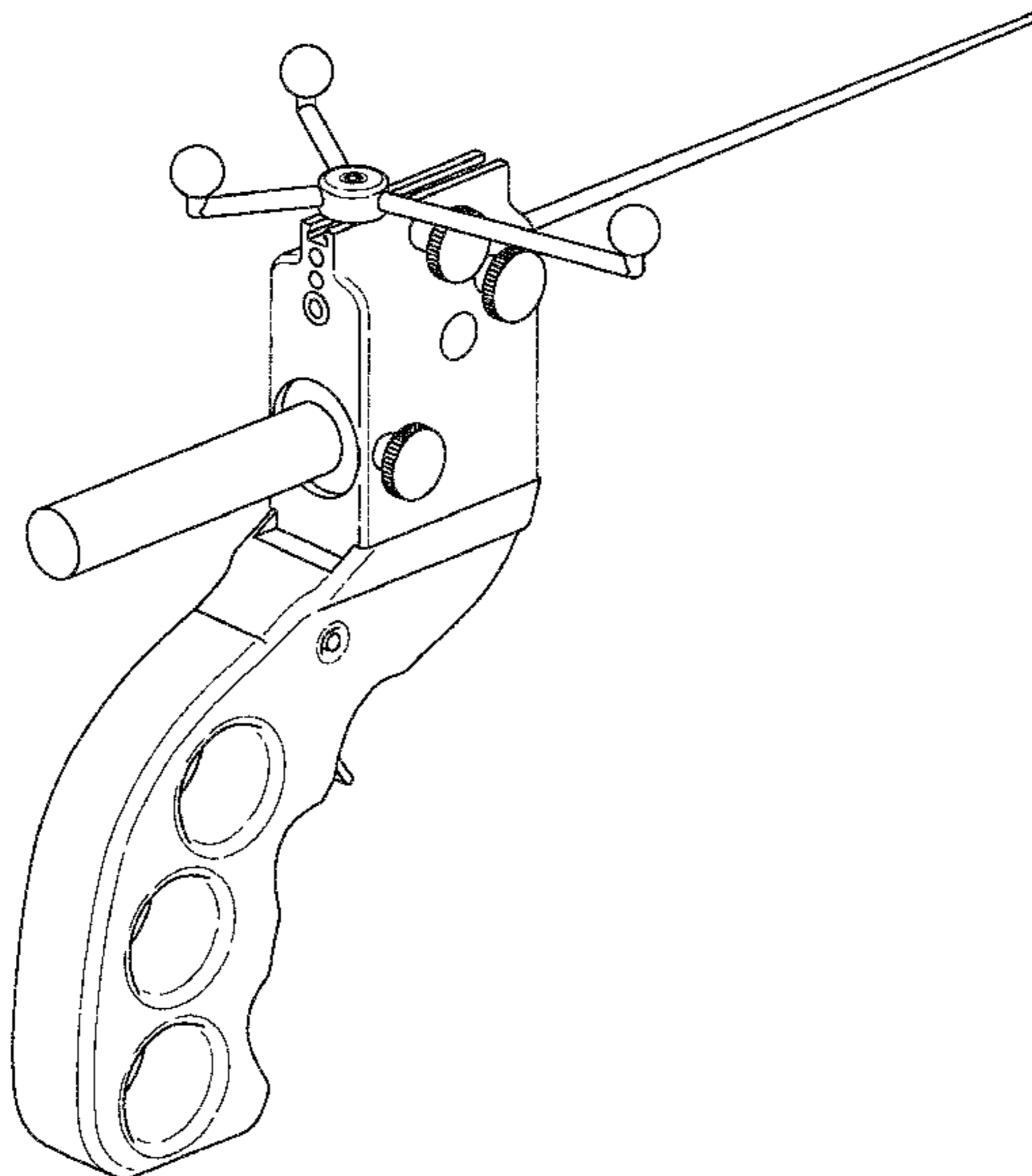
The ornamental design for a medical instrument, as shown and described.

DESCRIPTION

FIG. 1 is a rear perspective view of a medical instrument showing a first embodiment of our new design;
FIG. 2 is a front perspective view thereof;
FIG. 3 is a front perspective view showing the medical instrument;
FIG. 4 is a front perspective view showing the medical instrument;
FIG. 5 is a front perspective view showing the medical instrument;
FIG. 6 is a right side view thereof;
FIG. 7 is a top view thereof;
FIG. 8 is a left side view thereof;
FIG. 9 is a rear view thereof;
FIG. 10 is a front view thereof; and
FIG. 11 is a bottom view thereof;
FIG. 12 is a rear perspective view of a medical instrument showing a second embodiment of our new design;
FIG. 13 is a front perspective view thereof;
FIG. 14 is a front perspective view showing the medical instrument;
FIG. 15 is a front perspective view showing the medical instrument;
FIG. 16 is a front perspective view showing the medical instrument;
FIG. 17 is a right side view thereof;
FIG. 18 is a top view thereof;
FIG. 19 is a left side view thereof;
FIG. 20 is a rear view thereof;
FIG. 21 is a front view thereof; and,
FIG. 22 is a bottom view thereof.

The broken line showing of the attached devices in FIGS. 3, 4, 5, 14, 15, and 16 is for environmental purposes only. All other broken lines show visible portions of the article not claimed. The broken lines form no part of the claimed design.

1 Claim, 16 Drawing Sheets



(58) **Field of Classification Search**

CPC A61M 5/20; A61M 5/24; A61M 2005/206;
A61M 2209/01; A61M 2210/0687; A61B
10/0233; A61B 2010/0208

See application file for complete search history.

(56) **References Cited**

U.S. PATENT DOCUMENTS

D628,290 S * 11/2010 Romero D24/133
D628,692 S * 12/2010 Greenhalgh D24/133
D631,155 S * 1/2011 Peine D24/133
D631,158 S * 1/2011 Doerges D24/137
D632,787 S * 2/2011 Tenger D24/133
D636,080 S * 4/2011 Goldberg D24/137
D636,872 S * 4/2011 Marescaux D24/133
D638,540 S * 5/2011 Ijiri D24/133
D640,368 S * 6/2011 Fujioka D24/113
D640,789 S * 6/2011 Peine D24/133
D650,073 S * 12/2011 Pedersen D24/133
D651,311 S * 12/2011 Triplett D24/133
D658,759 S * 5/2012 Marescaux D24/133
D660,422 S * 5/2012 Hermle D24/133
D664,647 S * 7/2012 Becker D24/133
D693,466 S * 11/2013 Dallemagne D24/144
D699,341 S * 2/2014 Clark D24/112

D700,699 S * 3/2014 O'Leary D24/146
D710,003 S * 7/2014 Rimsa D24/113
D714,931 S * 10/2014 Sealfon D24/112
D715,435 S * 10/2014 Darian D24/144
D717,431 S * 11/2014 Cardinale D24/133
D724,199 S * 3/2015 Bambot D24/112
D724,202 S * 3/2015 Miyano D24/113
D728,787 S * 5/2015 Booker D24/146
D736,922 S * 8/2015 Allen D24/146
D736,924 S * 8/2015 Oberlaender D24/146
D739,017 S * 9/2015 Renner D24/146
D740,410 S * 10/2015 Korkuch D24/112
D741,485 S * 10/2015 Gerhardt D24/147
D744,650 S * 12/2015 Catron D24/146
D745,669 S * 12/2015 Swift D24/137
D749,727 S * 2/2016 Wapler D24/133
D750,224 S * 2/2016 Miyano D24/113
D750,773 S * 3/2016 Eaton D24/128
D751,691 S * 3/2016 Shaw D24/112
D757,261 S * 5/2016 Keckstein D24/133
2008/0185430 A1 * 8/2008 Goldbach A61B 90/96
235/385
2015/0265769 A1 * 9/2015 Bratbak A61B 10/0233
600/567
2016/0262733 A1 * 9/2016 Schlarb A61B 10/0275
2016/0271323 A1 * 9/2016 Bruggemann A61M 5/1452
2016/0279331 A1 * 9/2016 Konandreas A61M 5/20

* cited by examiner

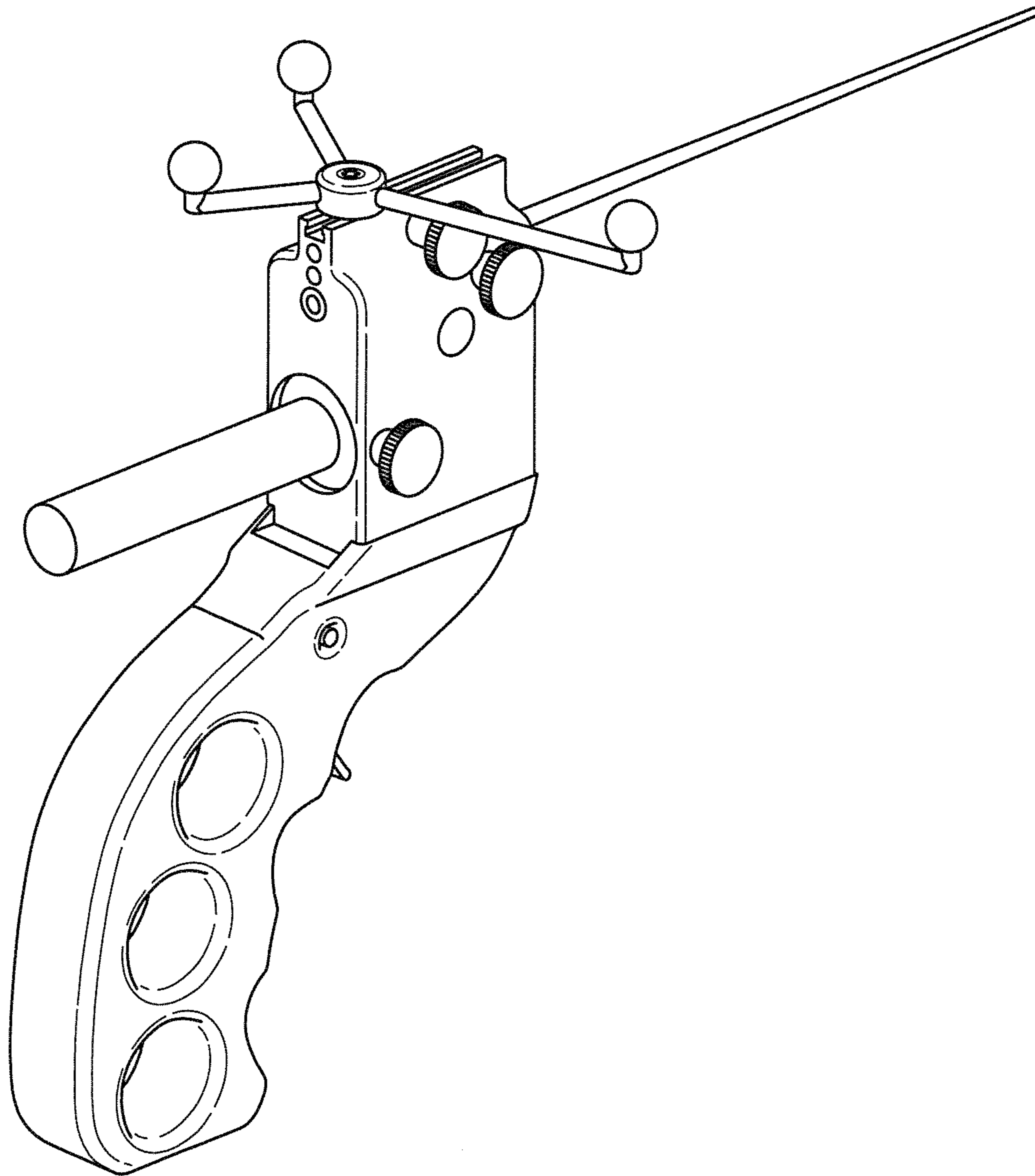


FIG. 1

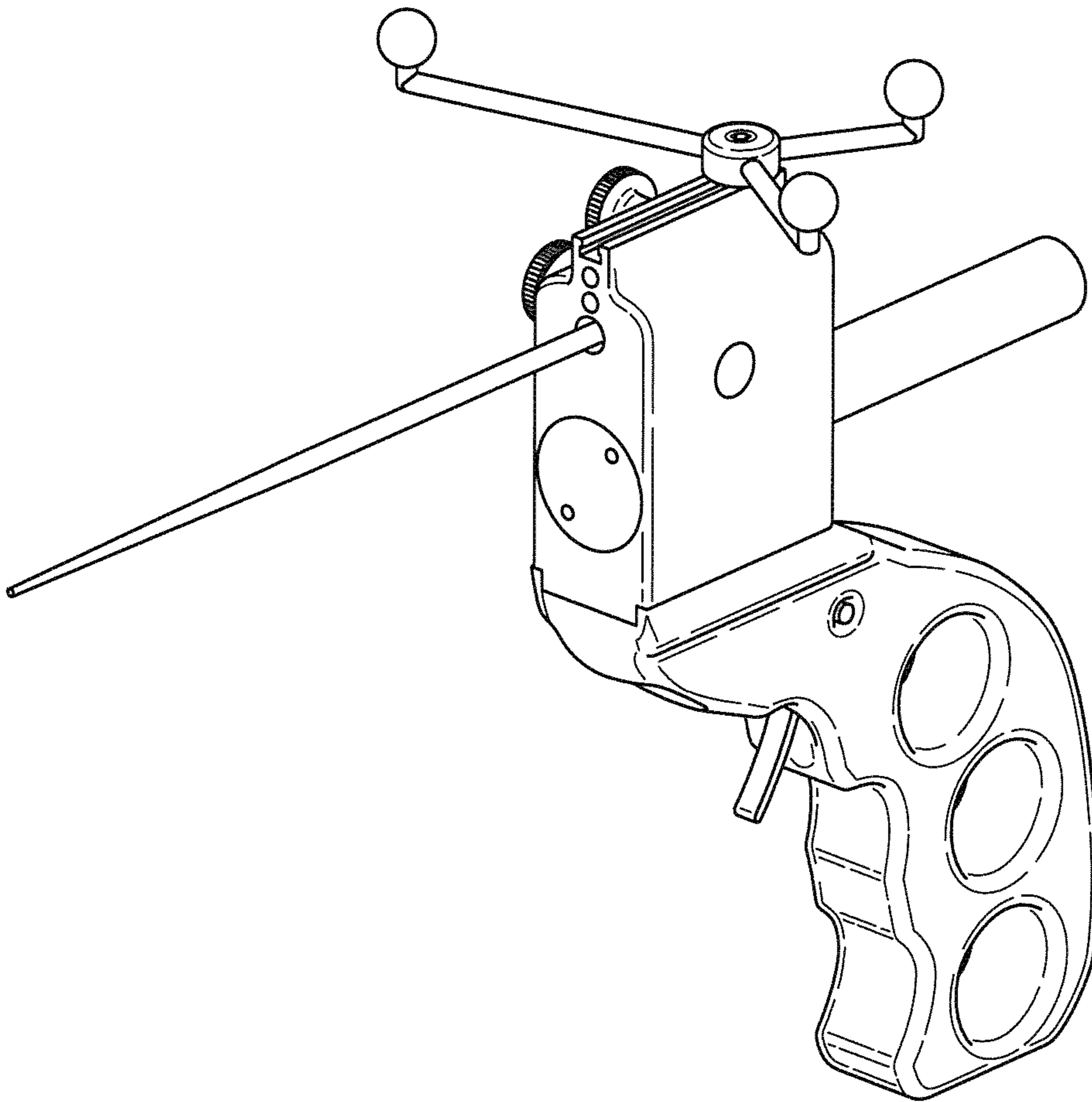


FIG. 2

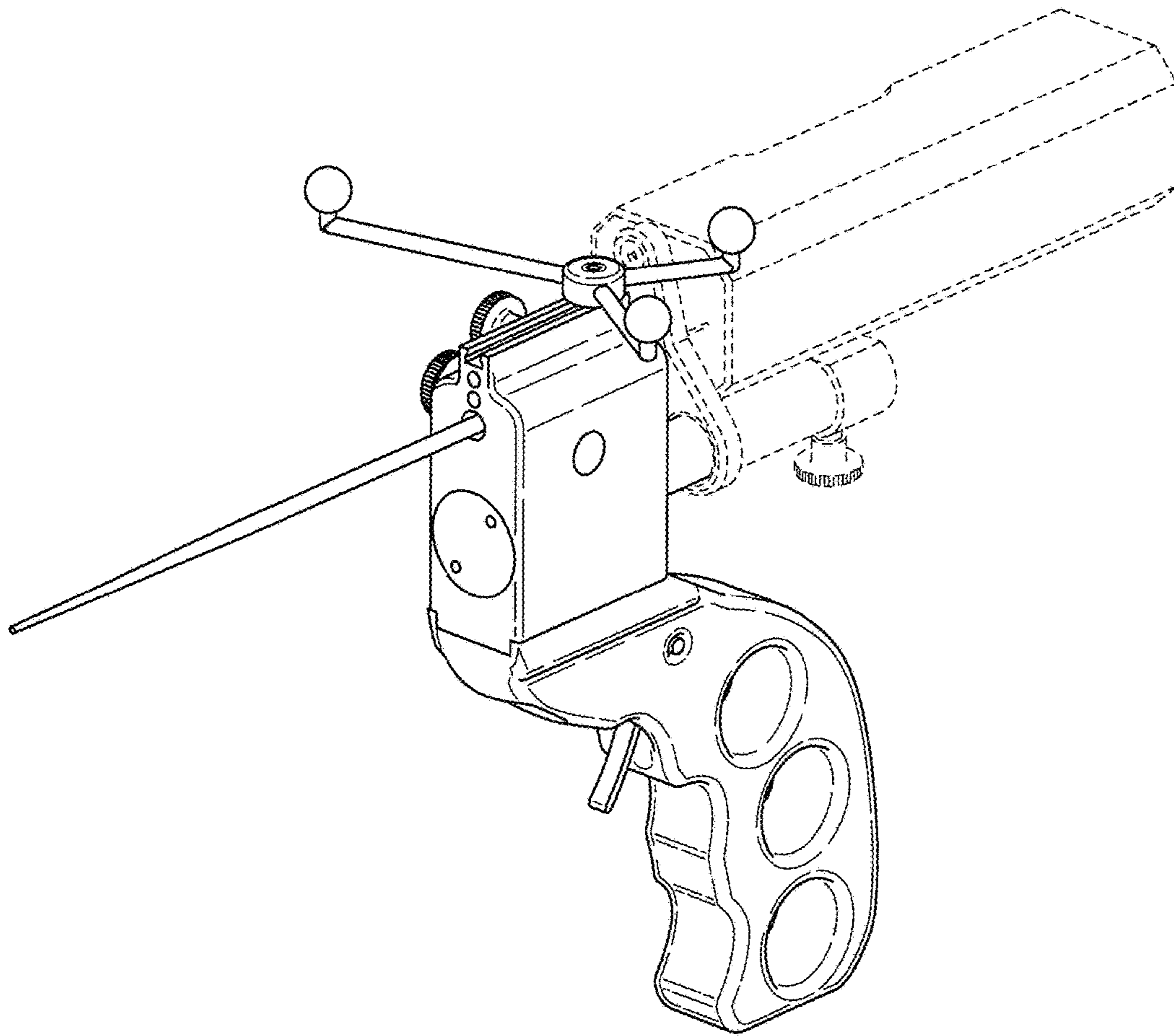


FIG. 3

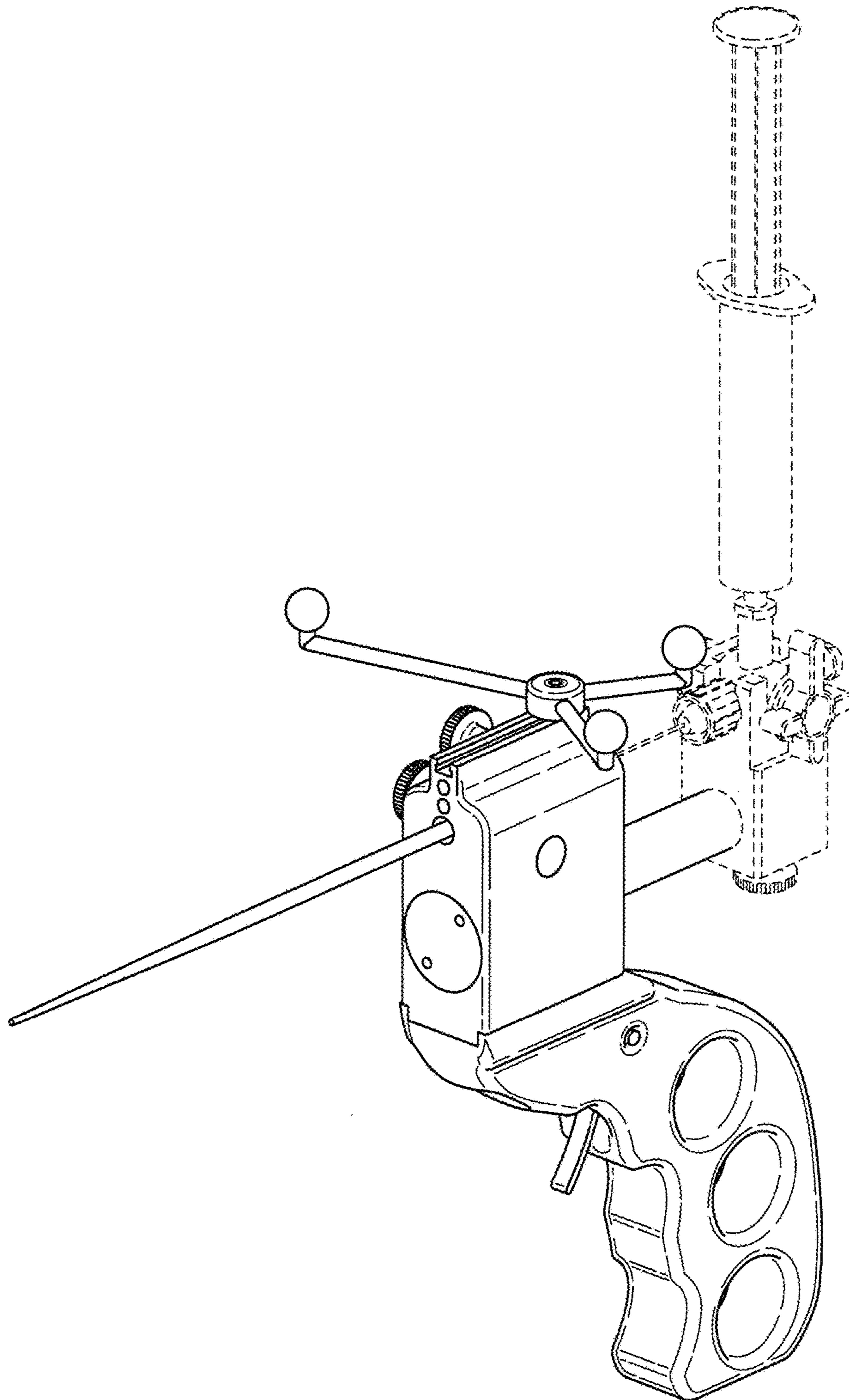


FIG. 4

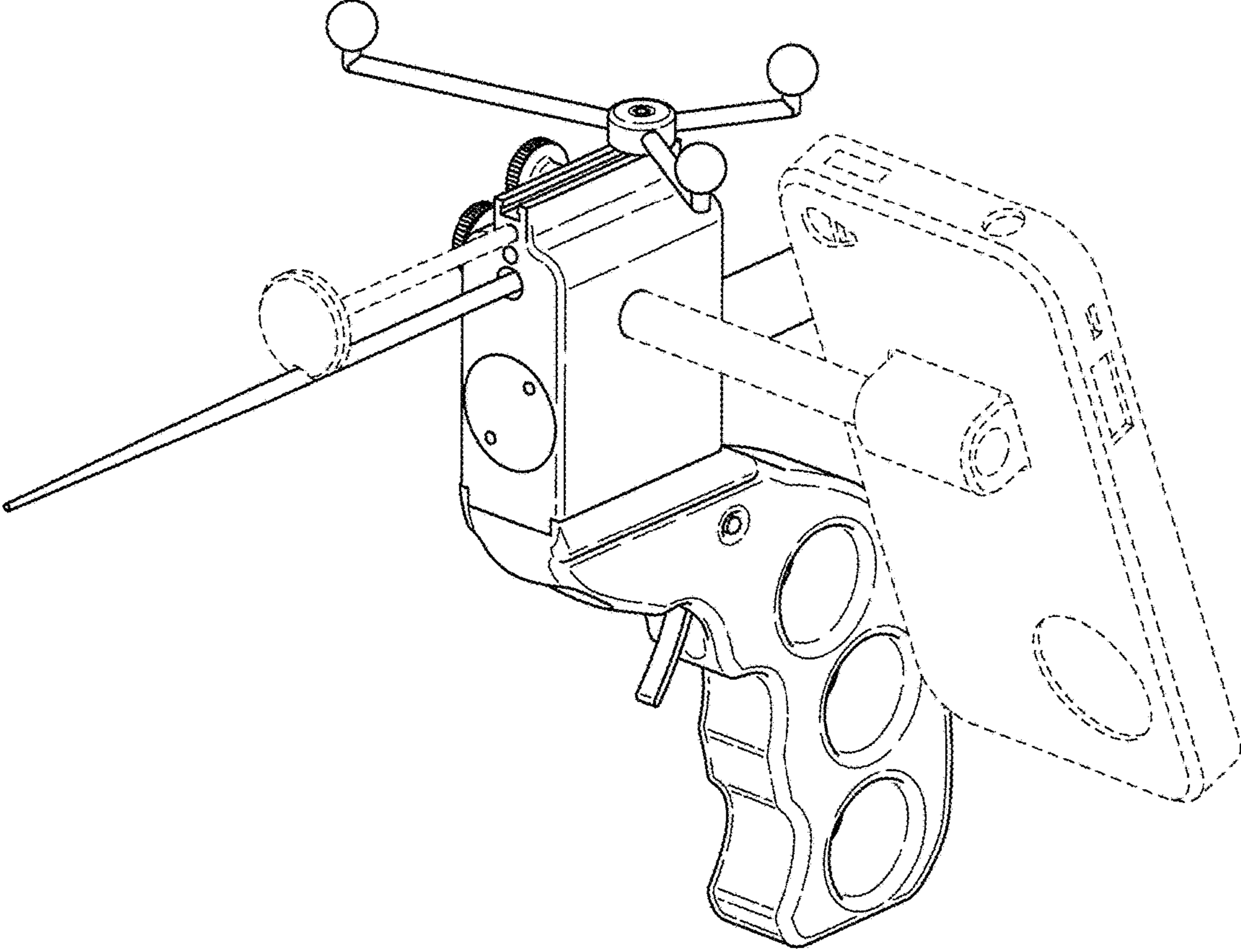


FIG. 5

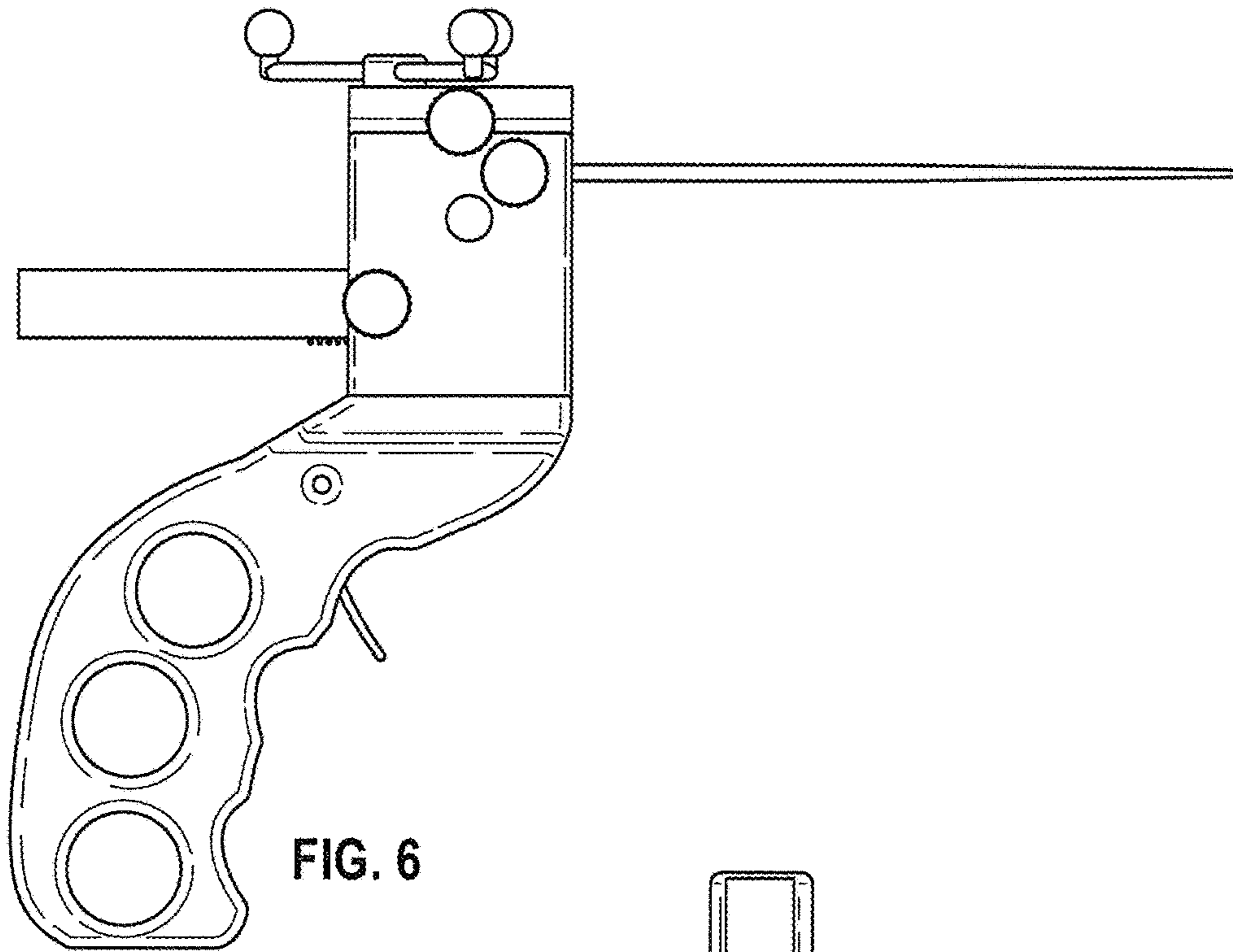


FIG. 6

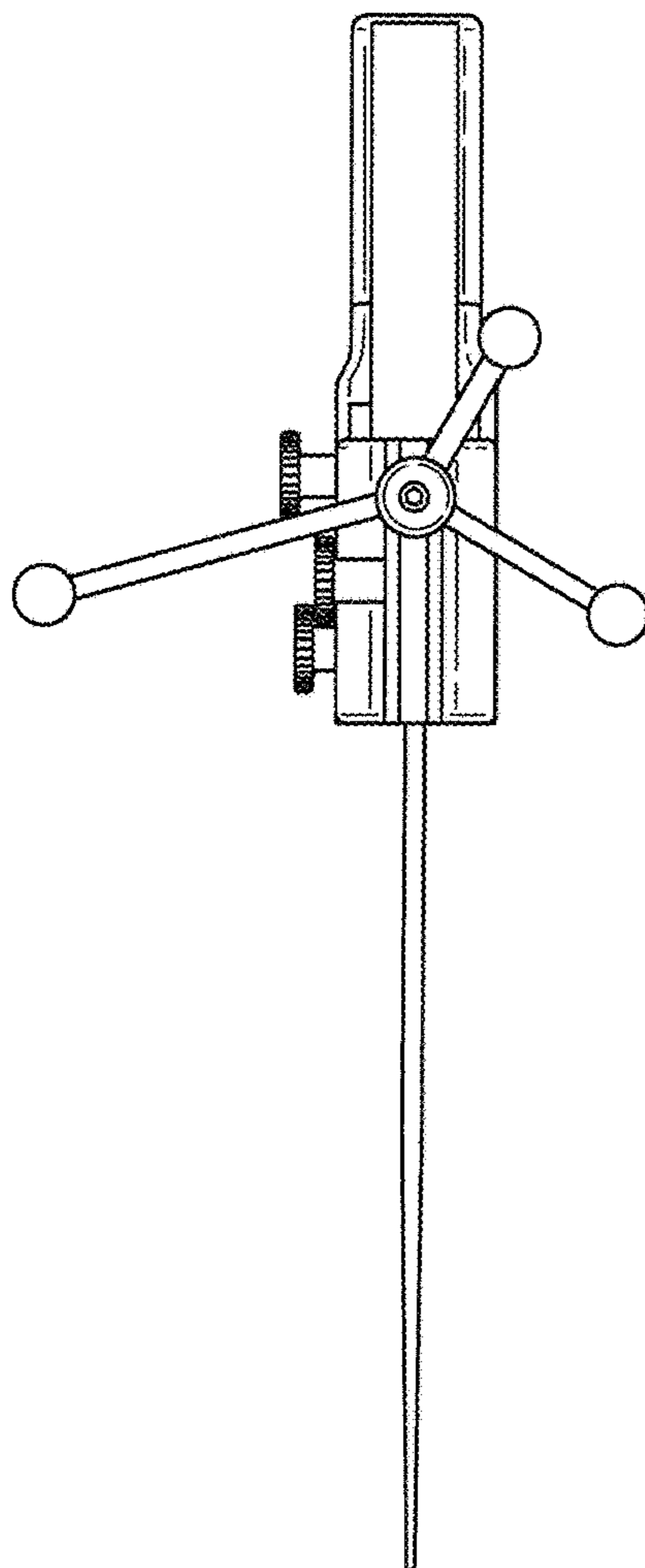


FIG. 7

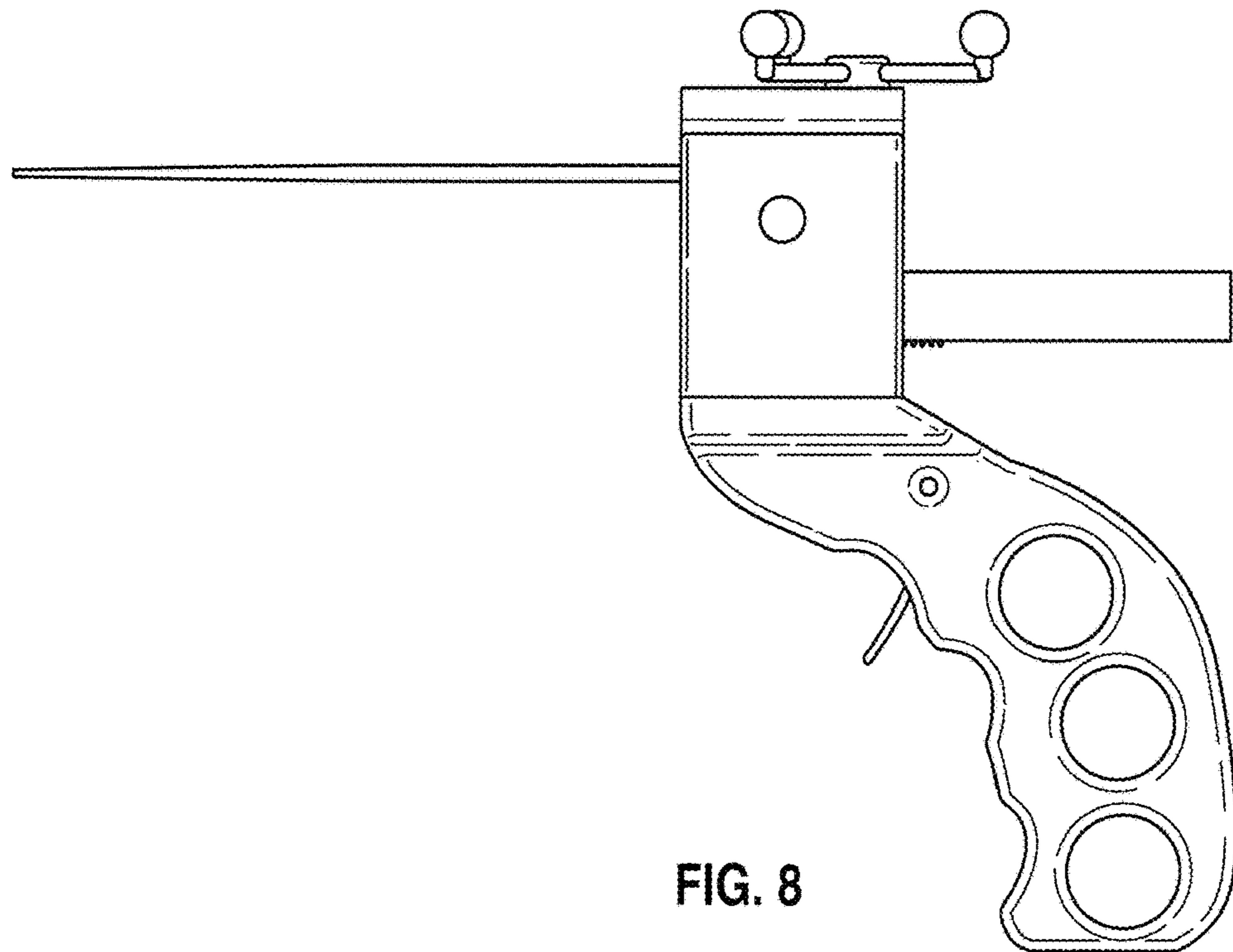


FIG. 8

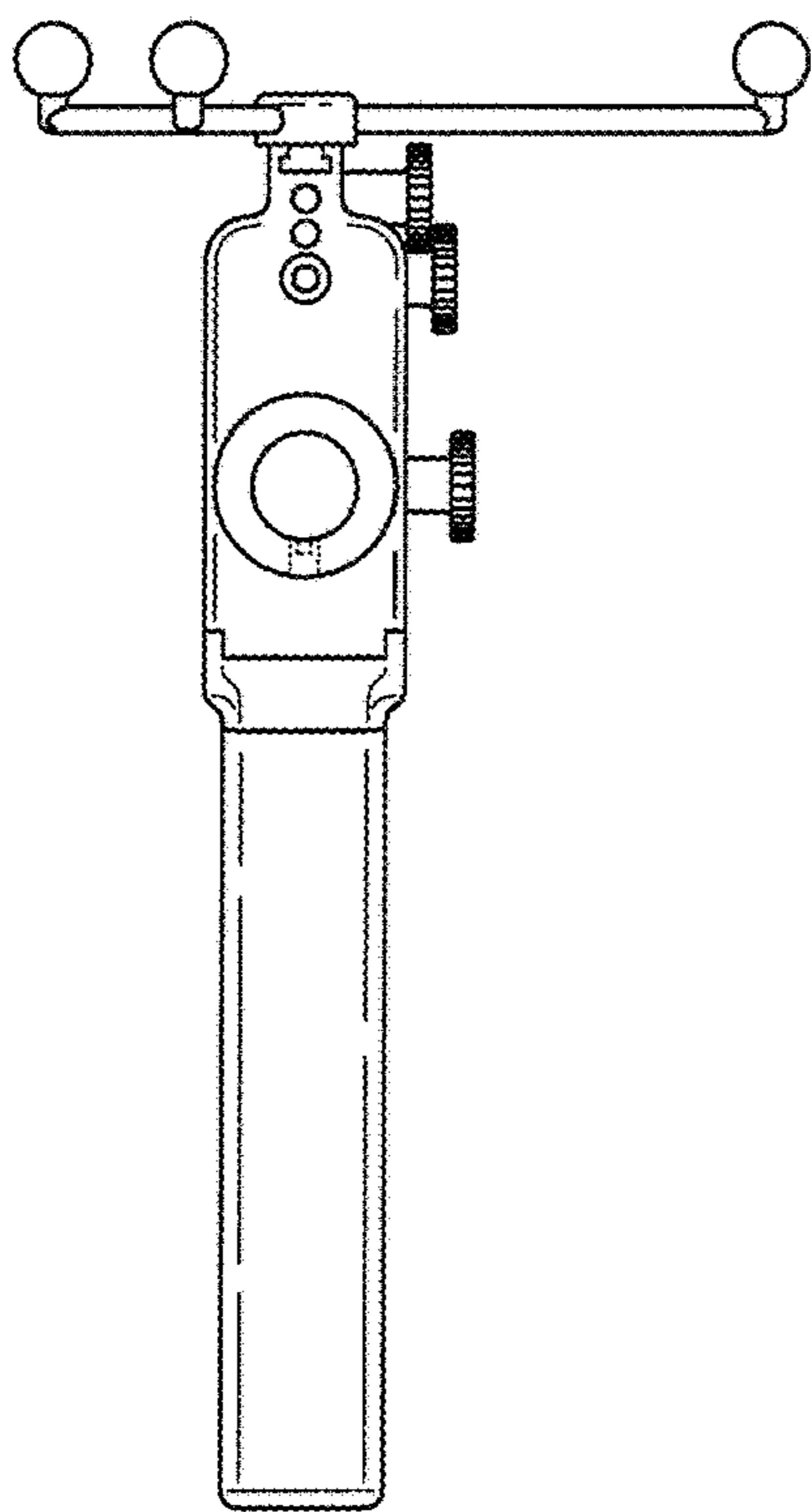


FIG. 9

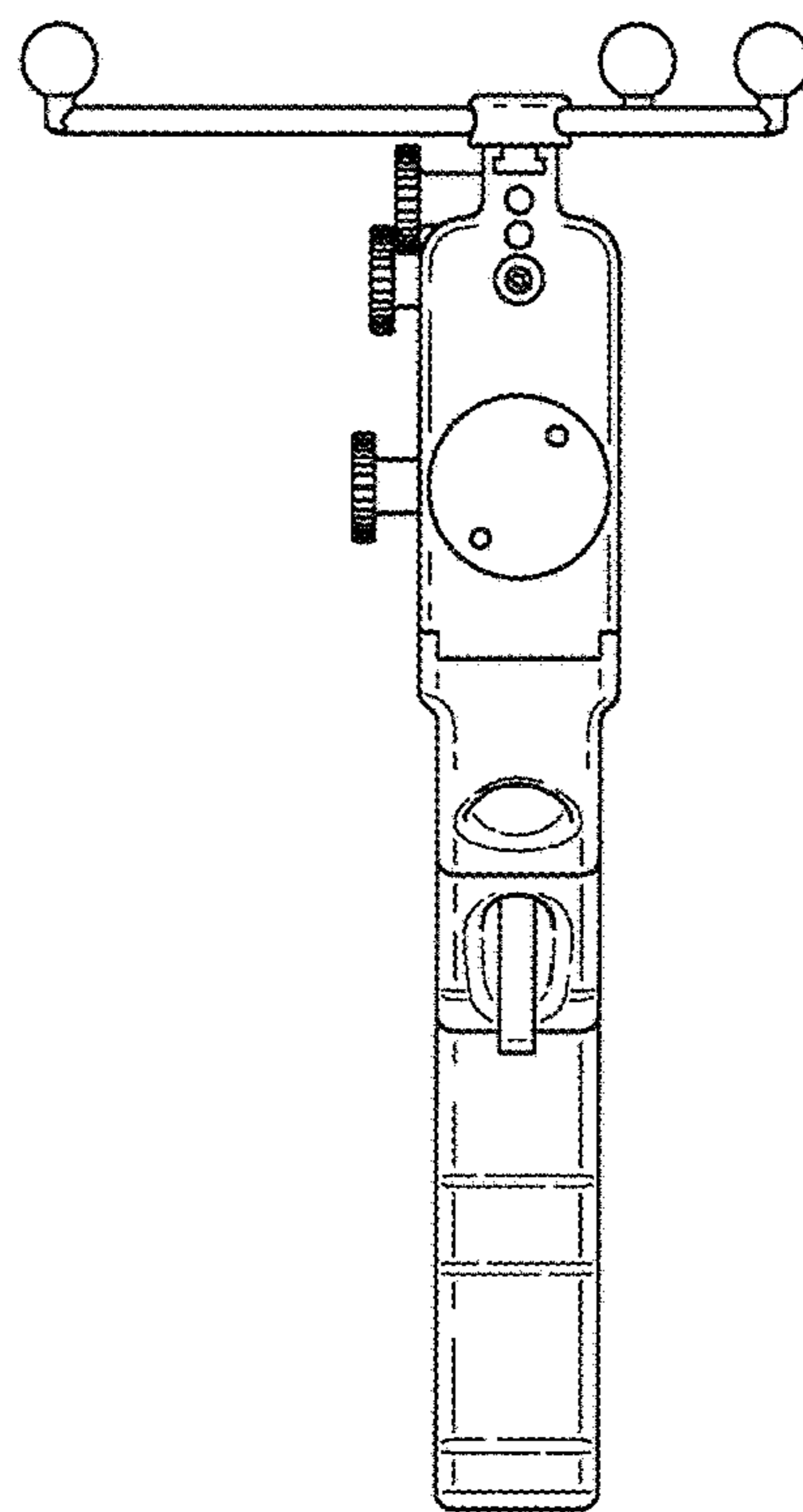


FIG. 10

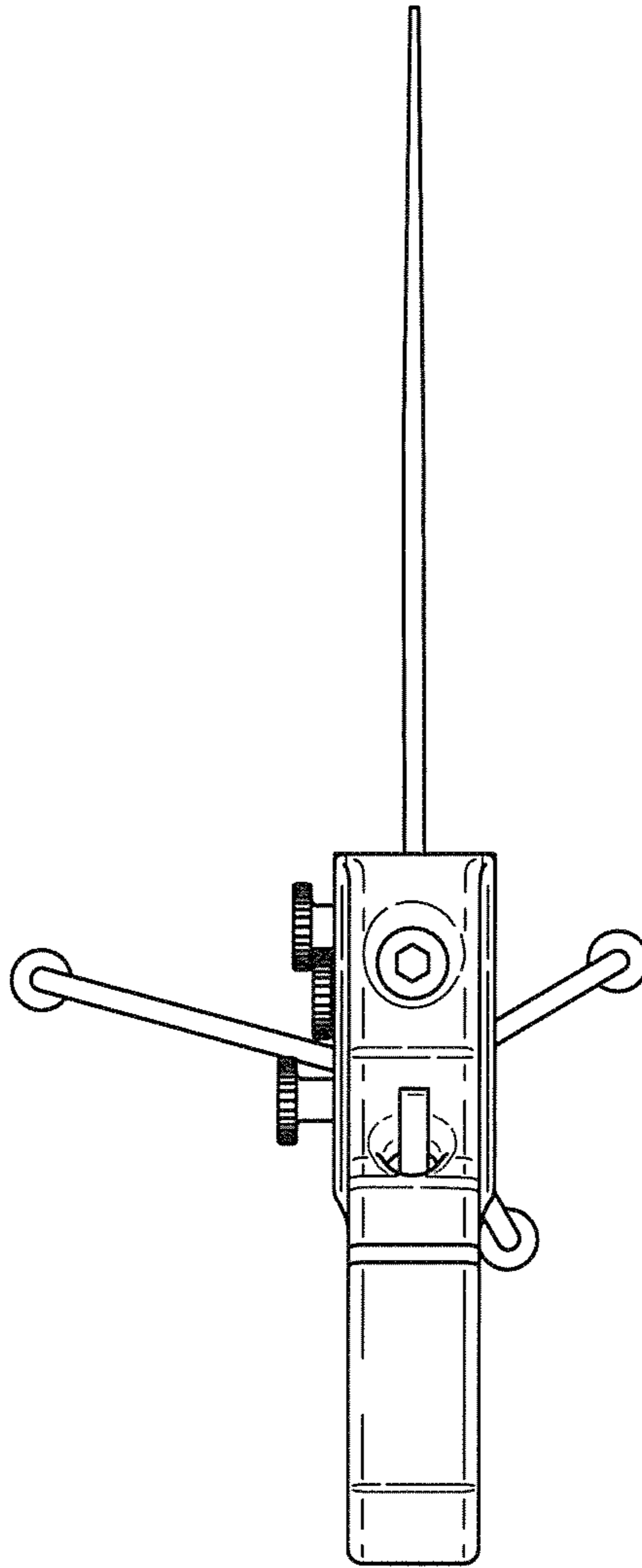


FIG. 11

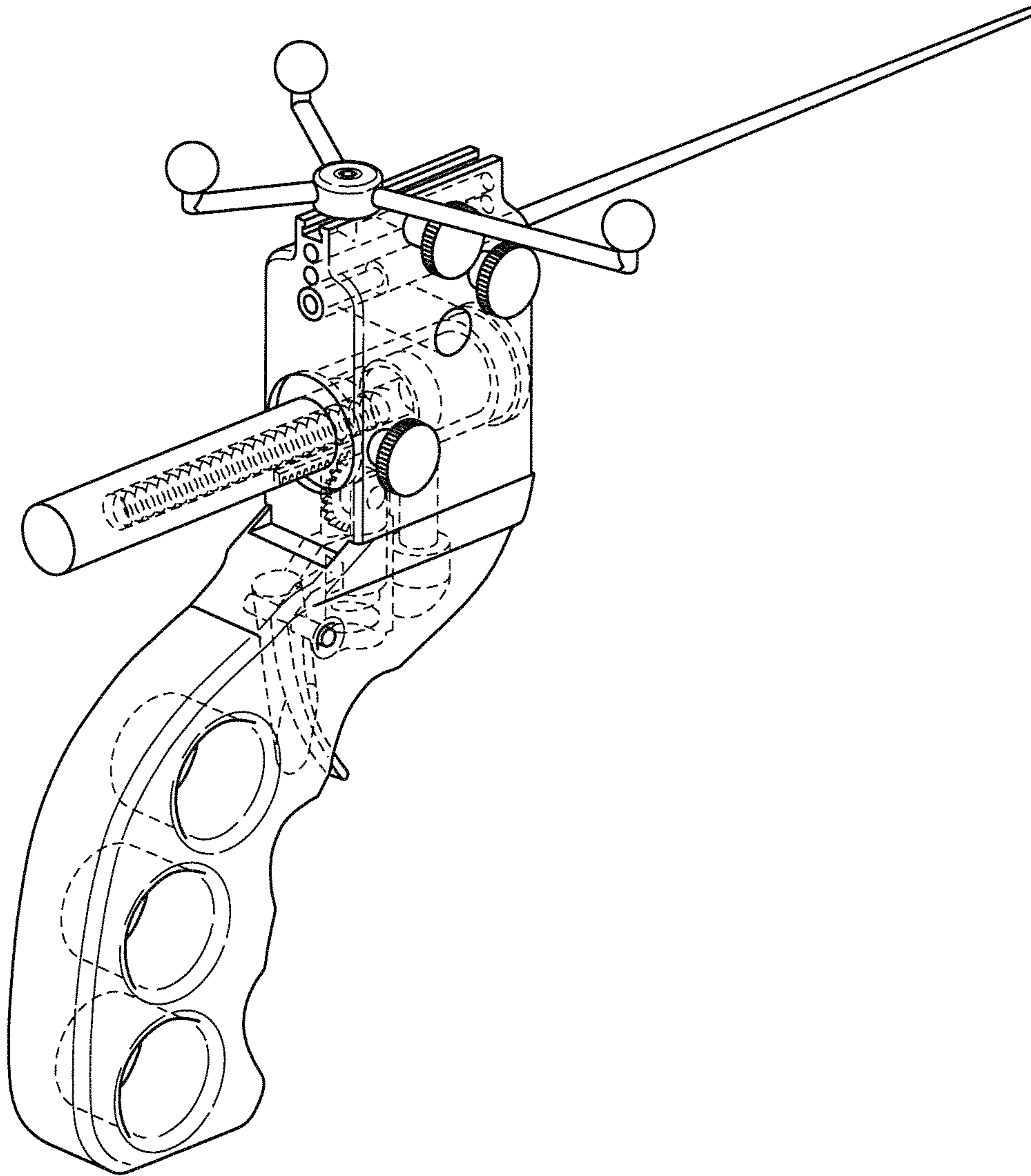


FIG. 12

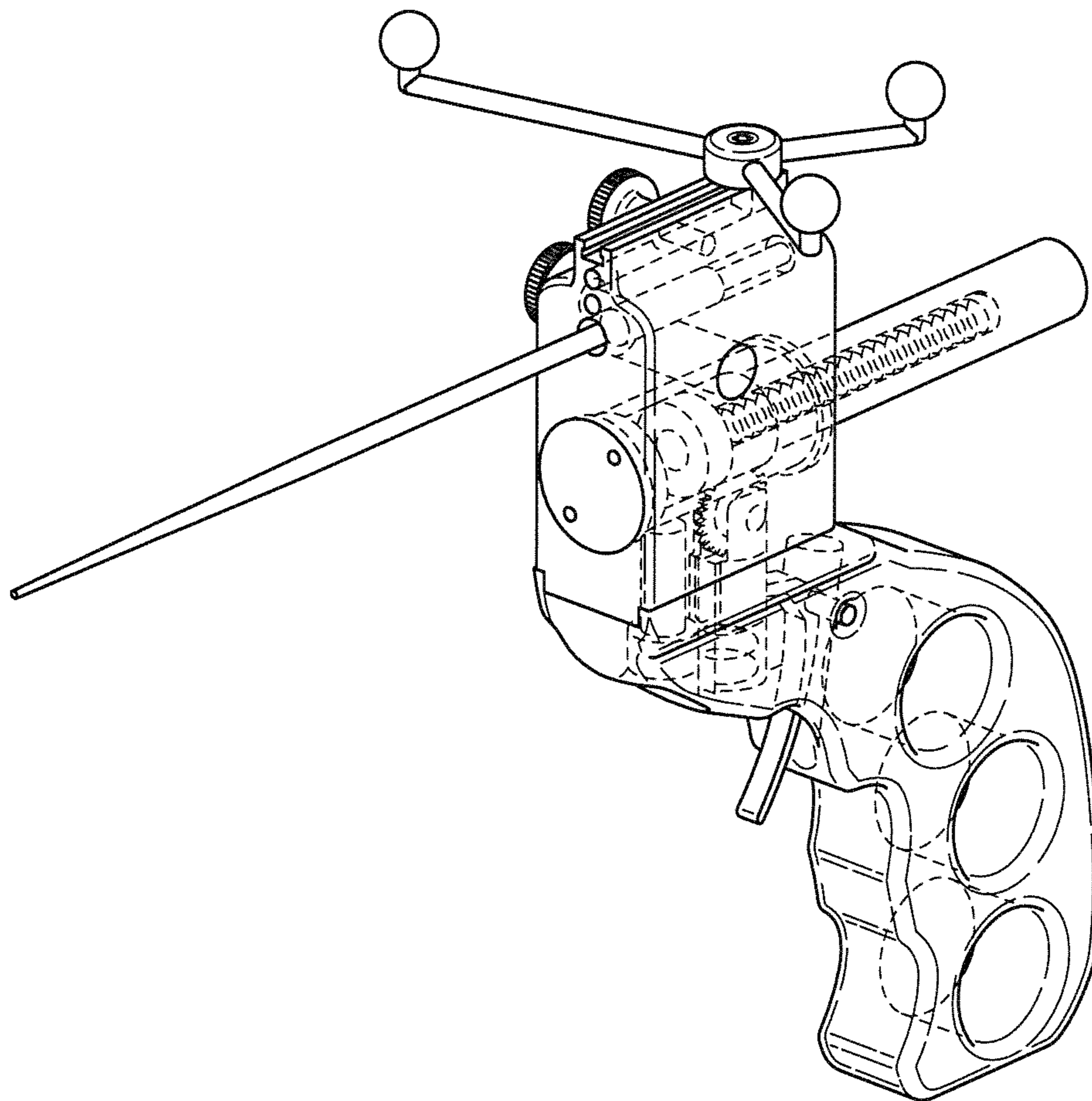


FIG. 13

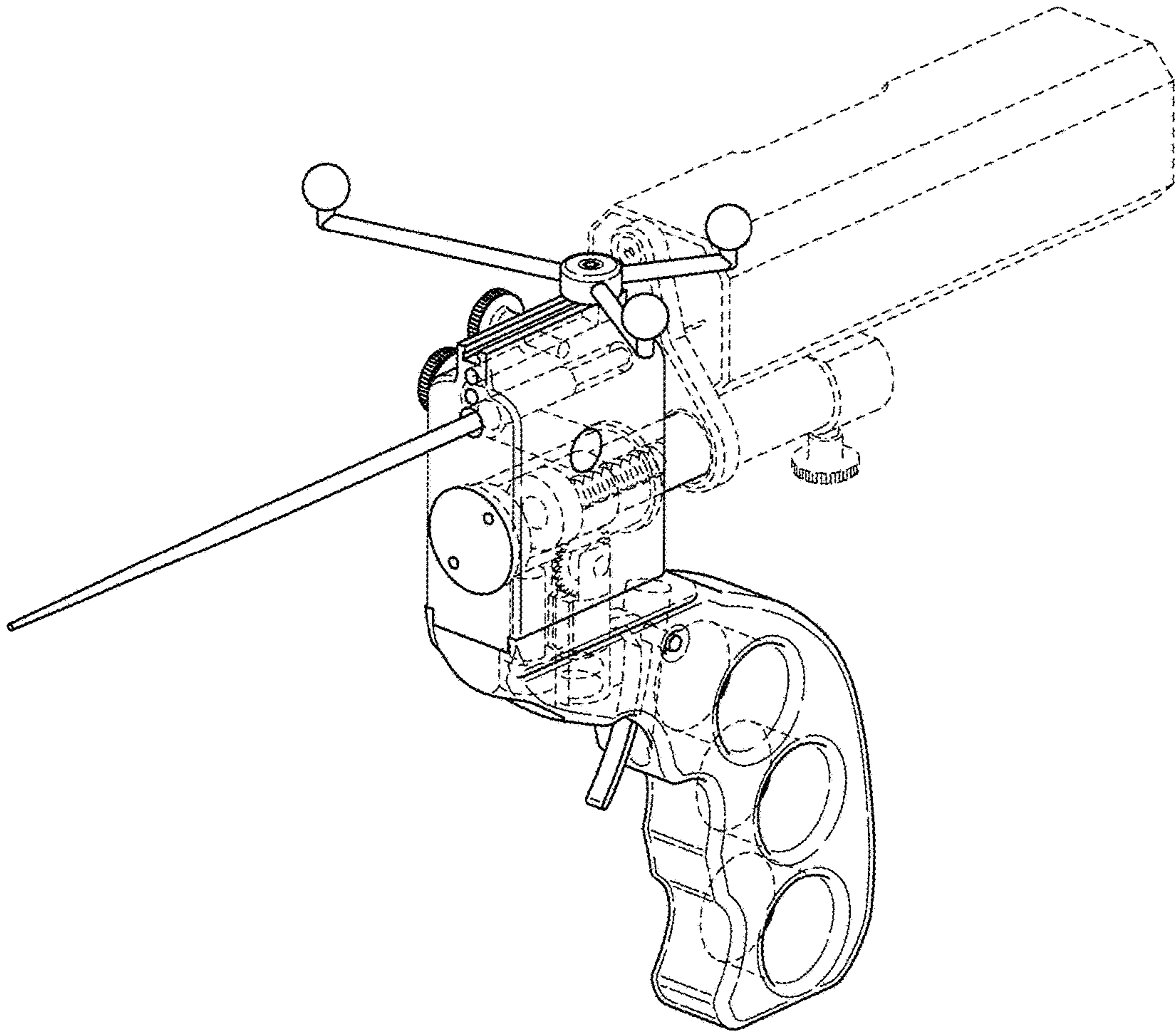


FIG. 14

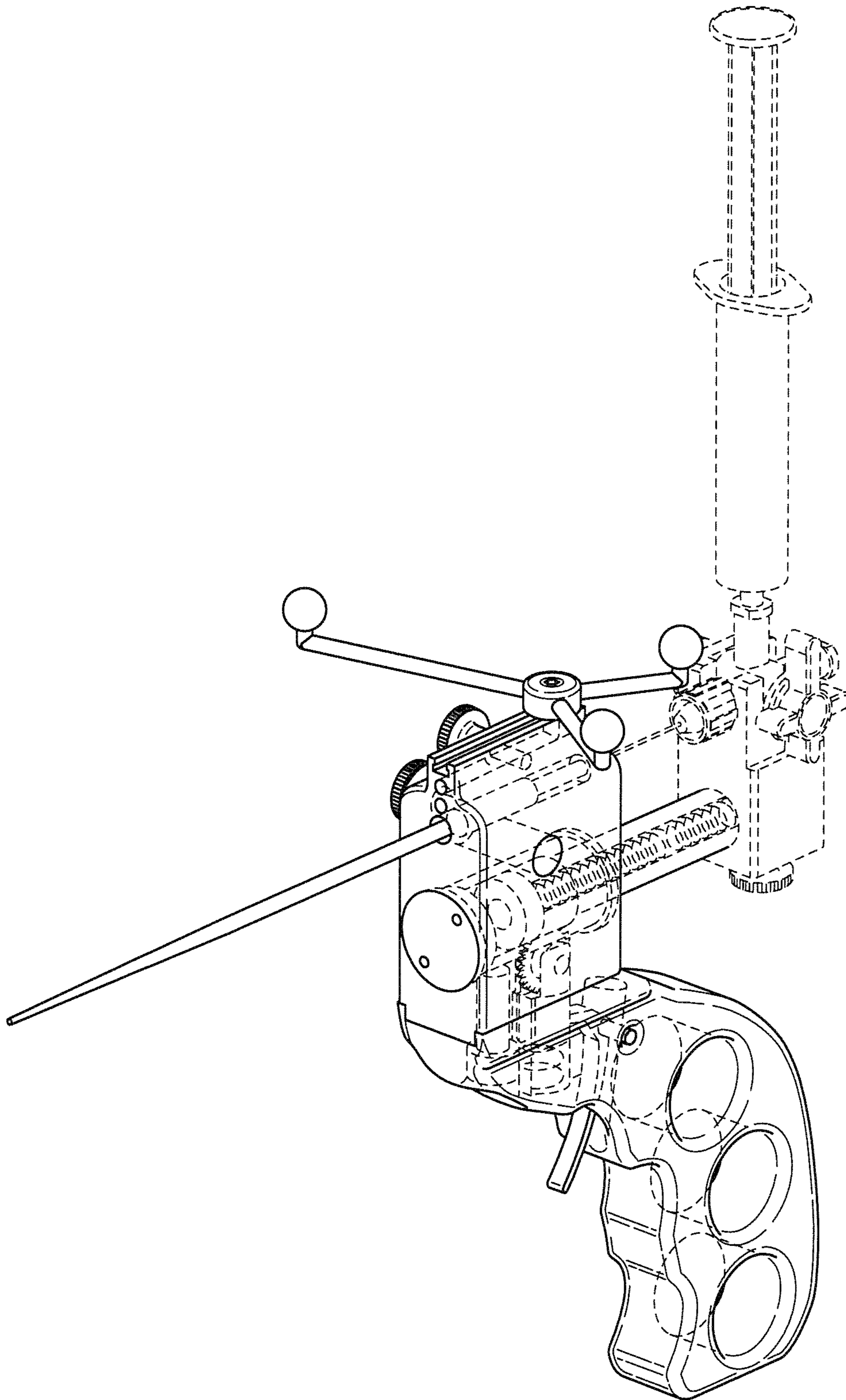


FIG. 15

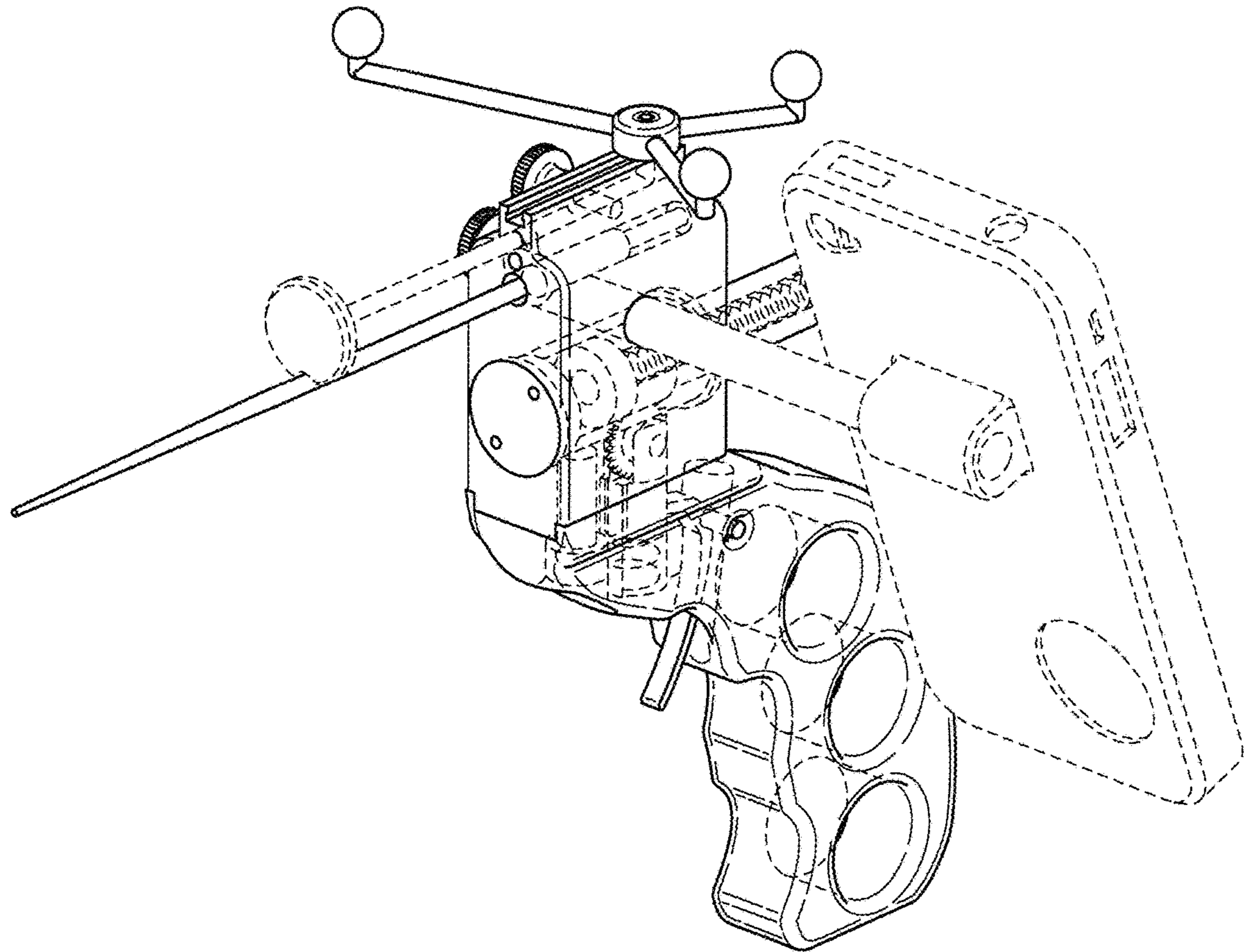
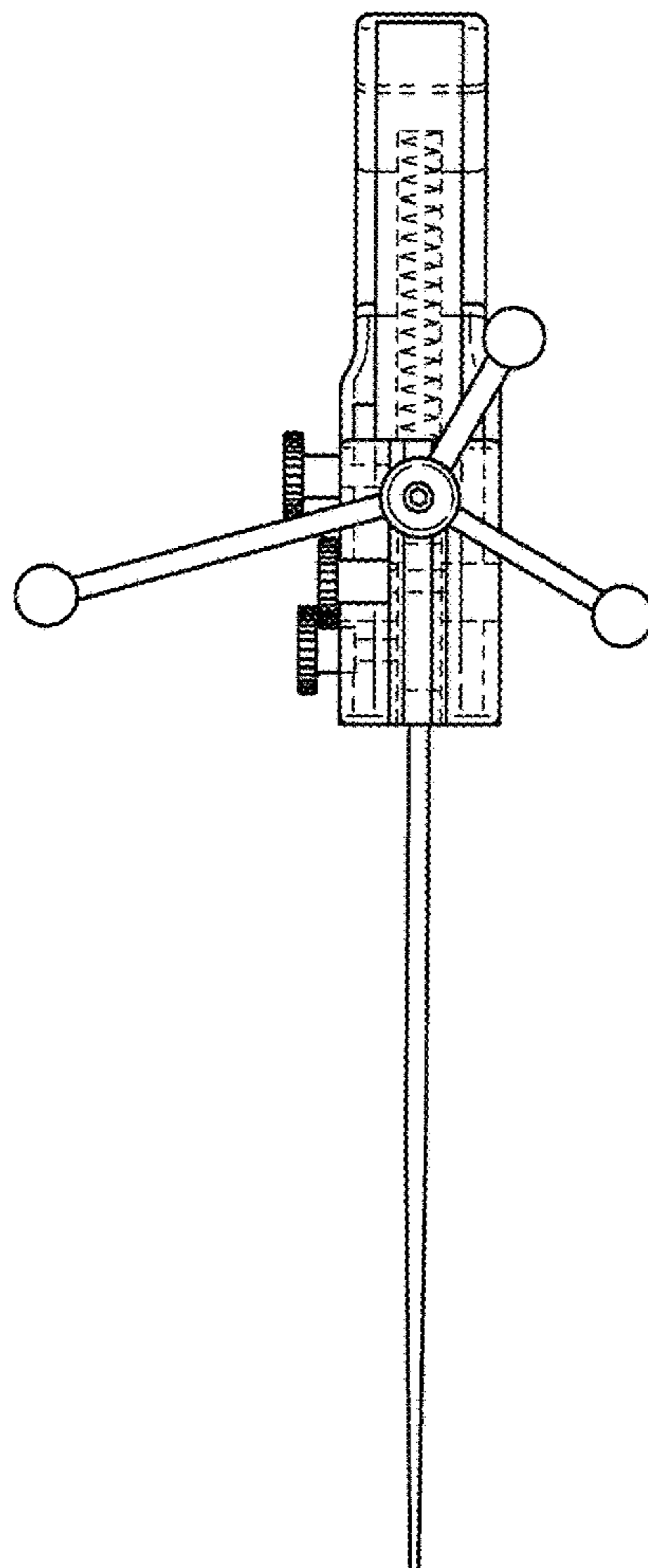
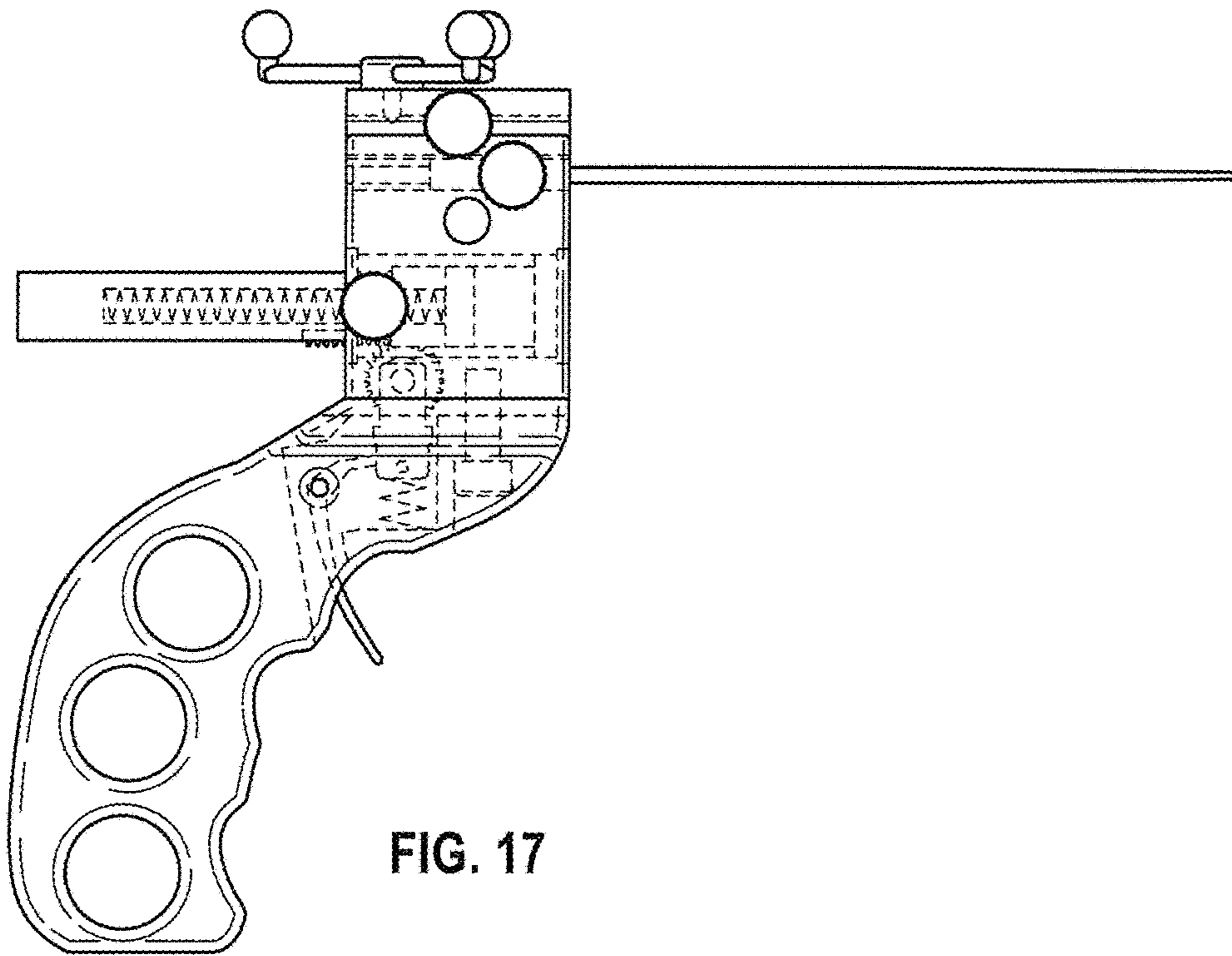


FIG. 16



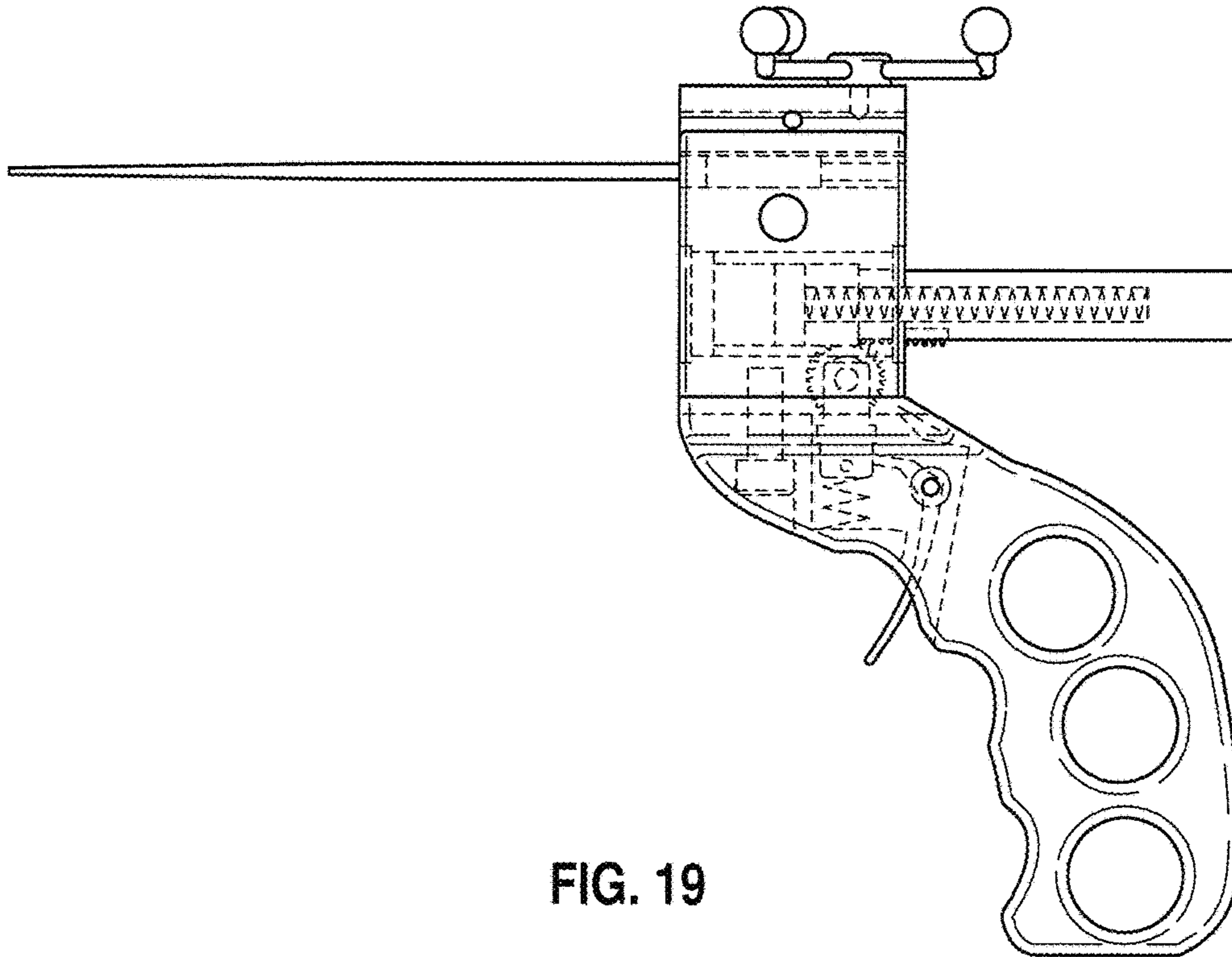


FIG. 19

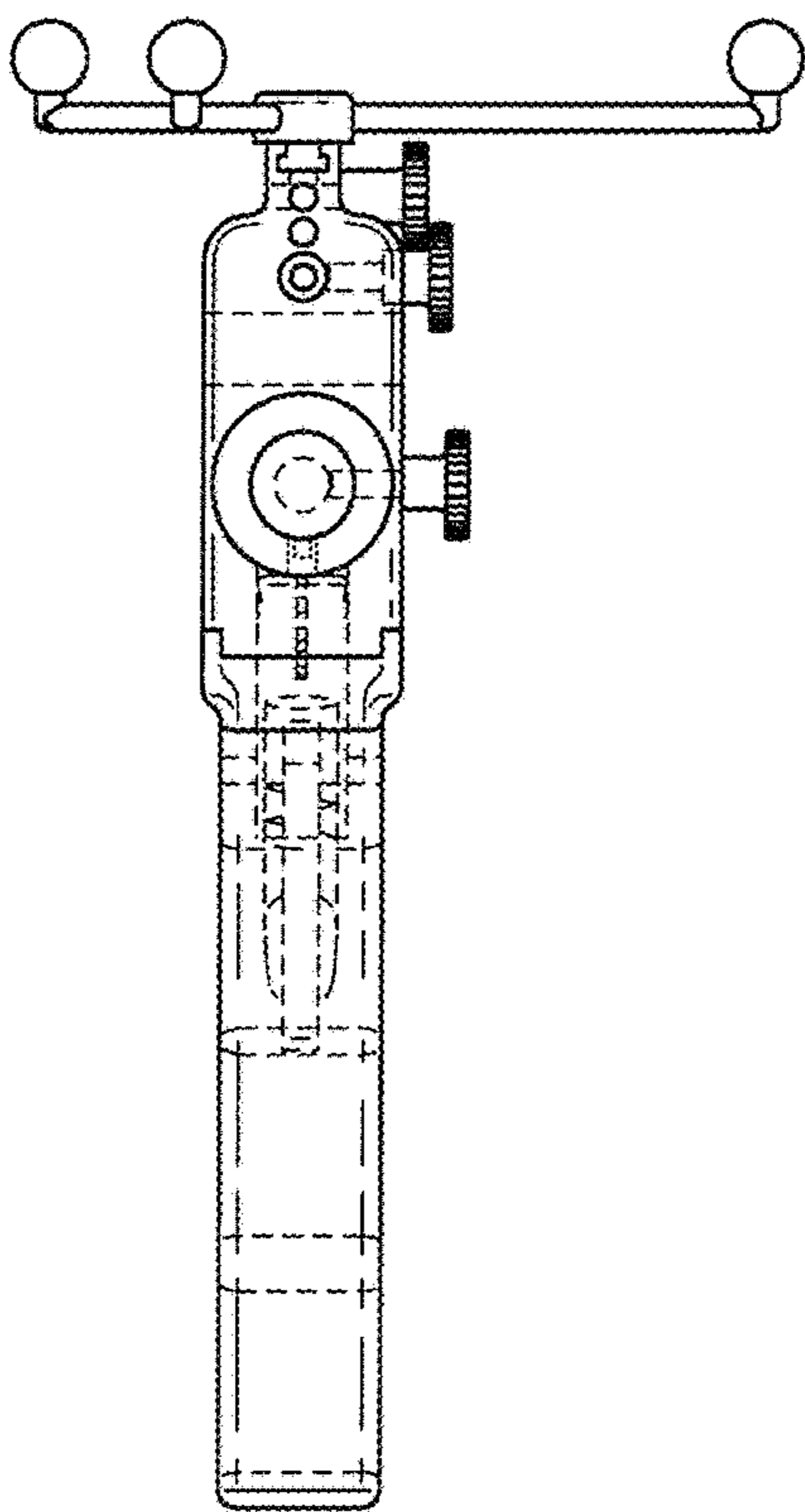


FIG. 20

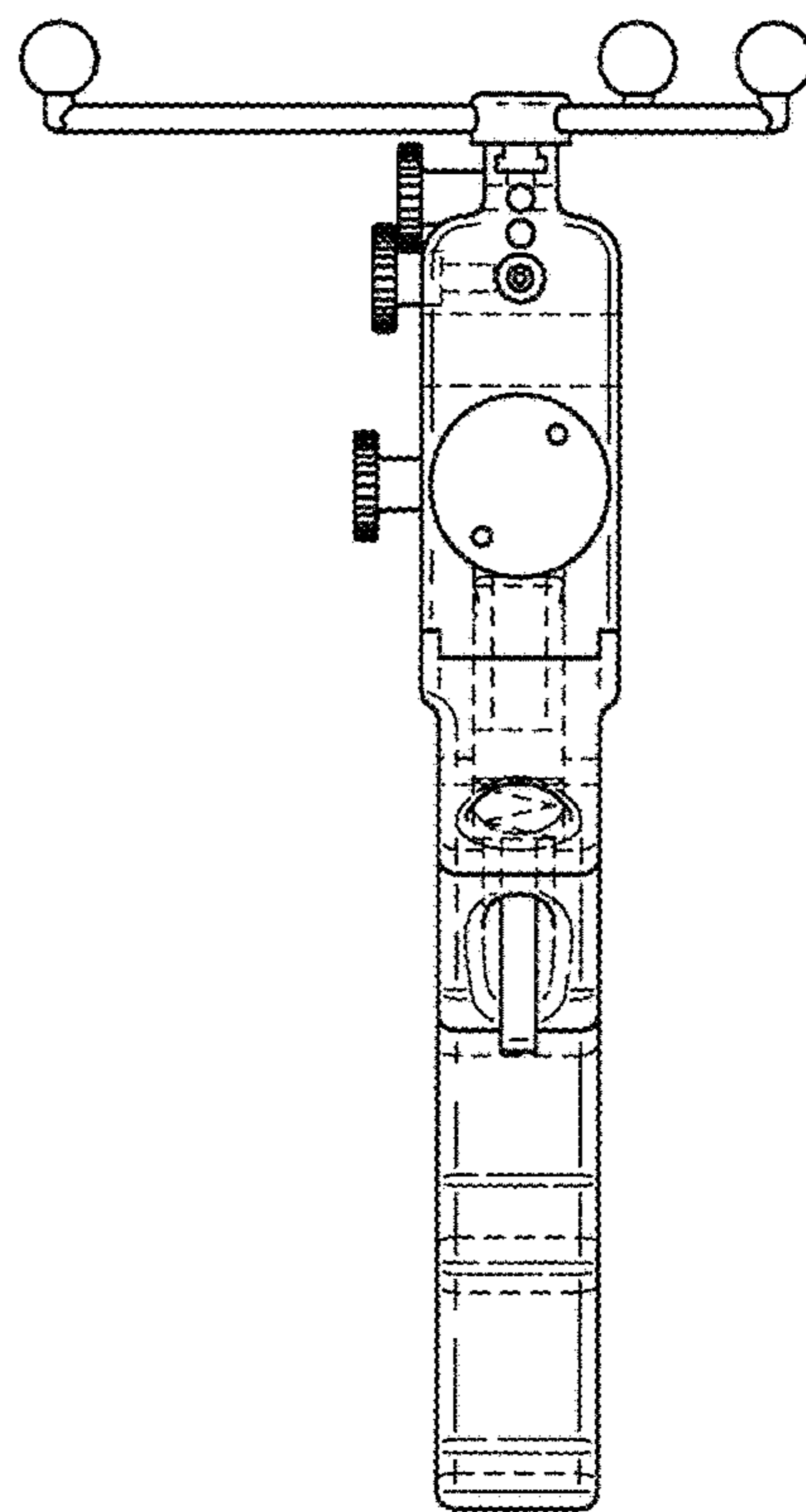


FIG. 21

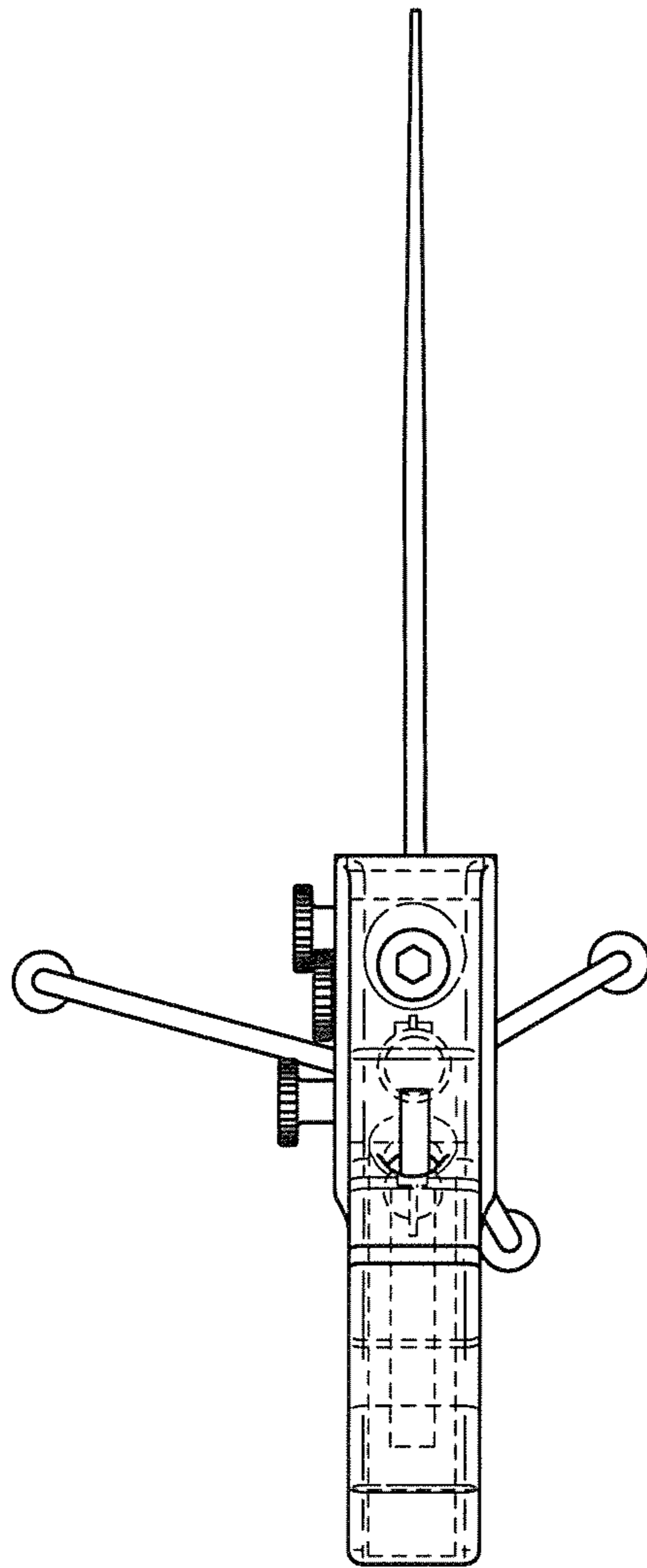


FIG. 22