



US00D830550S

(12) **United States Design Patent**
Miller et al.

(10) **Patent No.:** **US D830,550 S**
(45) **Date of Patent:** **** Oct. 9, 2018**

(54) **SURGICAL STAPLER**

(71) Applicant: **Ethicon Endo-Surgery, LLC**,
Guaynabo, PR (US)

(72) Inventors: **Christopher C. Miller**, Loveland, OH
(US); **Frederick E. Shelton, IV**,
Hillsboro, OH (US)

(73) Assignee: **Ethicon LLC**, Guaynabo, PR (US)

(**) Term: **15 Years**

(21) Appl. No.: **29/584,327**

(22) Filed: **Nov. 14, 2016**

(51) **LOC (11) Cl.** **24-02**

(52) **U.S. Cl.**
USPC **D24/145**

(58) **Field of Classification Search**
USPC D24/145
CPC A61B 17/064; A61B 17/07207; A61B
17/105; A61B 17/1155; A61B 17/115
See application file for complete search history.

(56) **References Cited**

U.S. PATENT DOCUMENTS

5,205,459	A	4/1993	Brinkerhoff et al.	
5,271,544	A	12/1993	Fox et al.	
5,292,053	A	3/1994	Bilotti et al.	
5,333,773	A	8/1994	Main et al.	
7,168,604	B2 *	1/2007	Milliman	A61B 17/115 227/175.1
7,364,060	B2 *	4/2008	Milliman	A61B 17/1155 227/175.1
8,408,441	B2 *	4/2013	Wenchell	A61B 17/1155 227/175.1

(Continued)

OTHER PUBLICATIONS

Design U.S. Appl. No. 29/584,321, filed Nov. 14, 2016.

Design U.S. Appl. No. 29/602,182, filed Apr. 28, 2017.
U.S. Appl. No. 15/350,513, filed Nov. 14, 2016.

Primary Examiner — Wan Laymon

(74) *Attorney, Agent, or Firm* — Frost Brown Todd LLC

(57) **CLAIM**

The ornamental design for a surgical stapler, as shown and described.

DESCRIPTION

FIG. 1 is a top perspective view of a surgical stapler, showing our new design;

FIG. 2 is an enlarged perspective view of a distal portion of the surgical stapler of FIG. 1;

FIG. 3 is a rear perspective view of the surgical stapler of FIG. 1;

FIG. 4 is a right elevational view of the surgical stapler of FIG. 1;

FIG. 5 is an enlarged plan view of a distal portion of the surgical stapler of FIG. 1, viewed from the plane 5-5 of FIG. 4;

FIG. 6 is an enlarged right elevational view of a distal portion of the surgical stapler of FIG. 1;

FIG. 7 is a left elevational view of the surgical stapler of FIG. 1;

FIG. 8 is a front elevational view of the surgical stapler of FIG. 1;

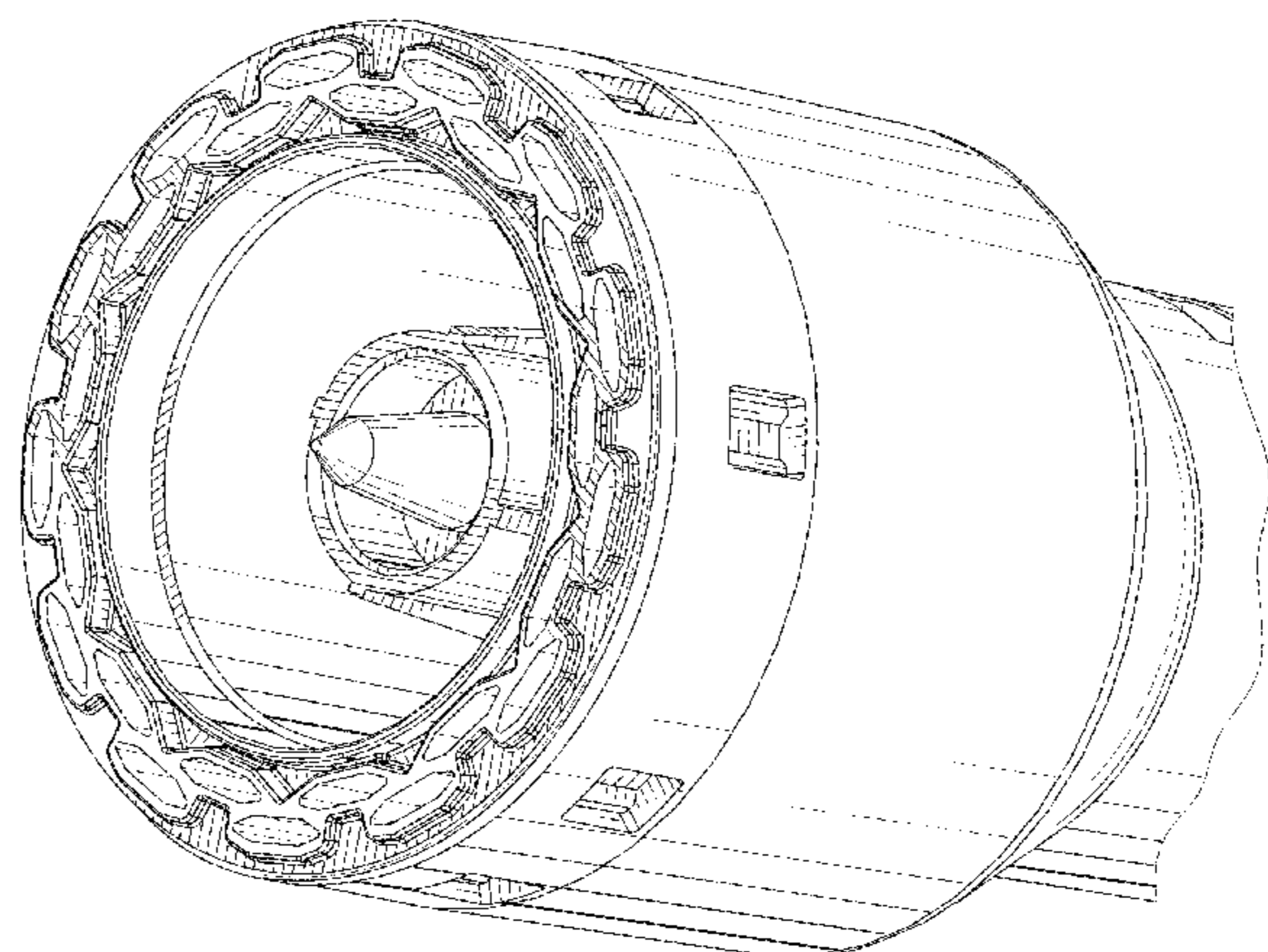
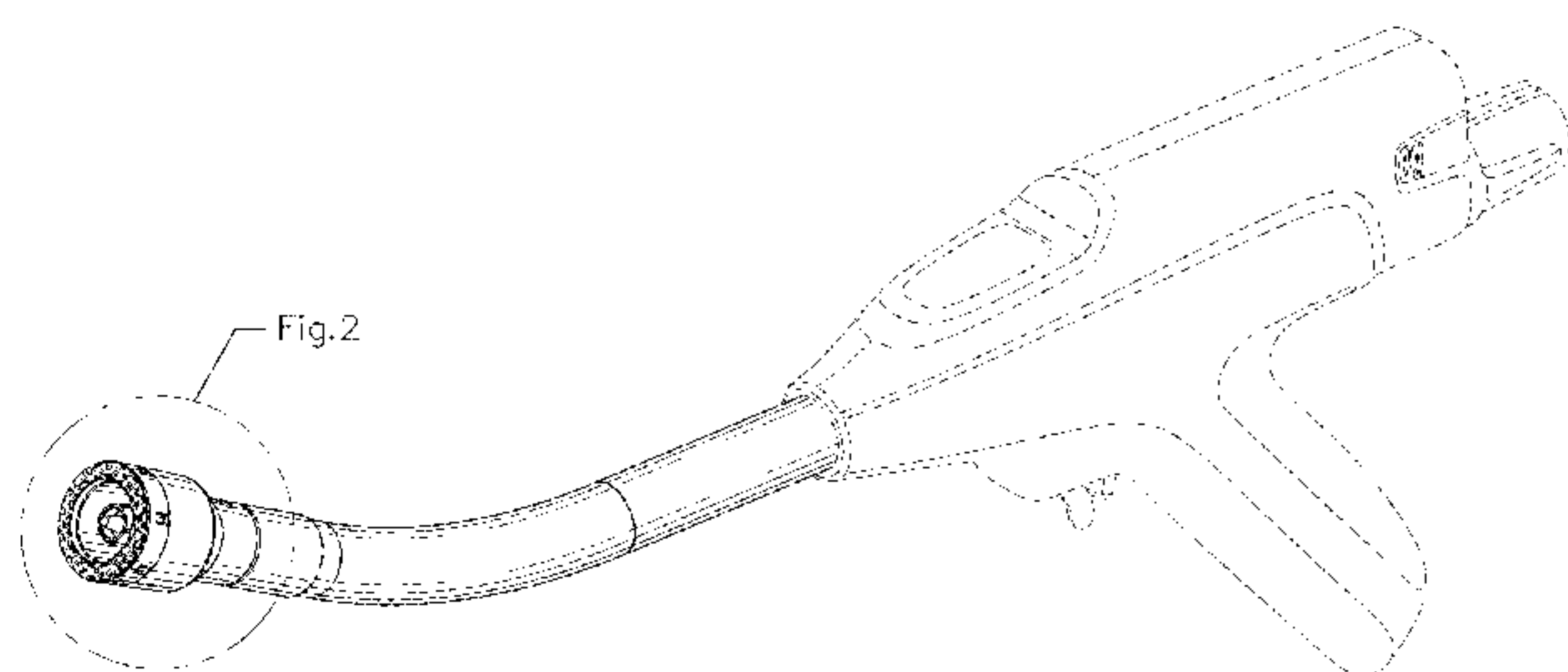
FIG. 9 is a rear elevational view of the surgical stapler of FIG. 1;

FIG. 10 is a top plan view of the surgical stapler of FIG. 1; and,

FIG. 11 is a bottom plan view of the surgical stapler of FIG. 1.

The handle assembly shown in broken lines in FIGS. 1, 3-4, and 7-11 depicts unclaimed environmental subject matter, and all other broken lines represent portions of the surgical stapler that form no part of the claimed design. None of the broken lines form any part of the claimed design.

1 Claim, 10 Drawing Sheets



(56)

References Cited

U.S. PATENT DOCUMENTS

8,453,906 B2 * 6/2013 Huang A61B 17/1155
227/175.2

8,613,383 B2 12/2013 Beckman et al.
D700,325 S * 2/2014 Nalagatla D24/145

8,684,252 B2 4/2014 Patel et al.
8,794,497 B2 8/2014 Zingman
9,055,942 B2 6/2015 Balbierz et al.
9,168,042 B2 10/2015 Milliman
9,597,083 B2 3/2017 Penna
9,757,133 B2 9/2017 Latimer et al.
2012/0016413 A1 1/2012 Timm et al.
2014/0158747 A1 6/2014 Measamer et al.
2015/0366562 A1 * 12/2015 Williams A61B 17/064
227/175.1

2016/0022267 A1 1/2016 Milliman
2016/0030046 A1 2/2016 Williams
2016/0113653 A1 4/2016 Zingman
2016/0242785 A1 * 8/2016 Prior A61B 17/1155
2016/0374665 A1 * 12/2016 DiNardo A61B 17/1155
227/175.2

2016/0374669 A1 * 12/2016 Overmyer A61B 17/1155
227/176.1

2017/0055997 A1 3/2017 Swayze et al.
2017/0086822 A1 * 3/2017 Scheib A61B 17/1155
2017/0258471 A1 * 9/2017 DiNardo A61B 17/1155
2017/0281163 A1 10/2017 Shelton, IV et al.
2017/0281169 A1 10/2017 Harris et al.
2017/0281179 A1 10/2017 Shelton, IV et al.

* cited by examiner

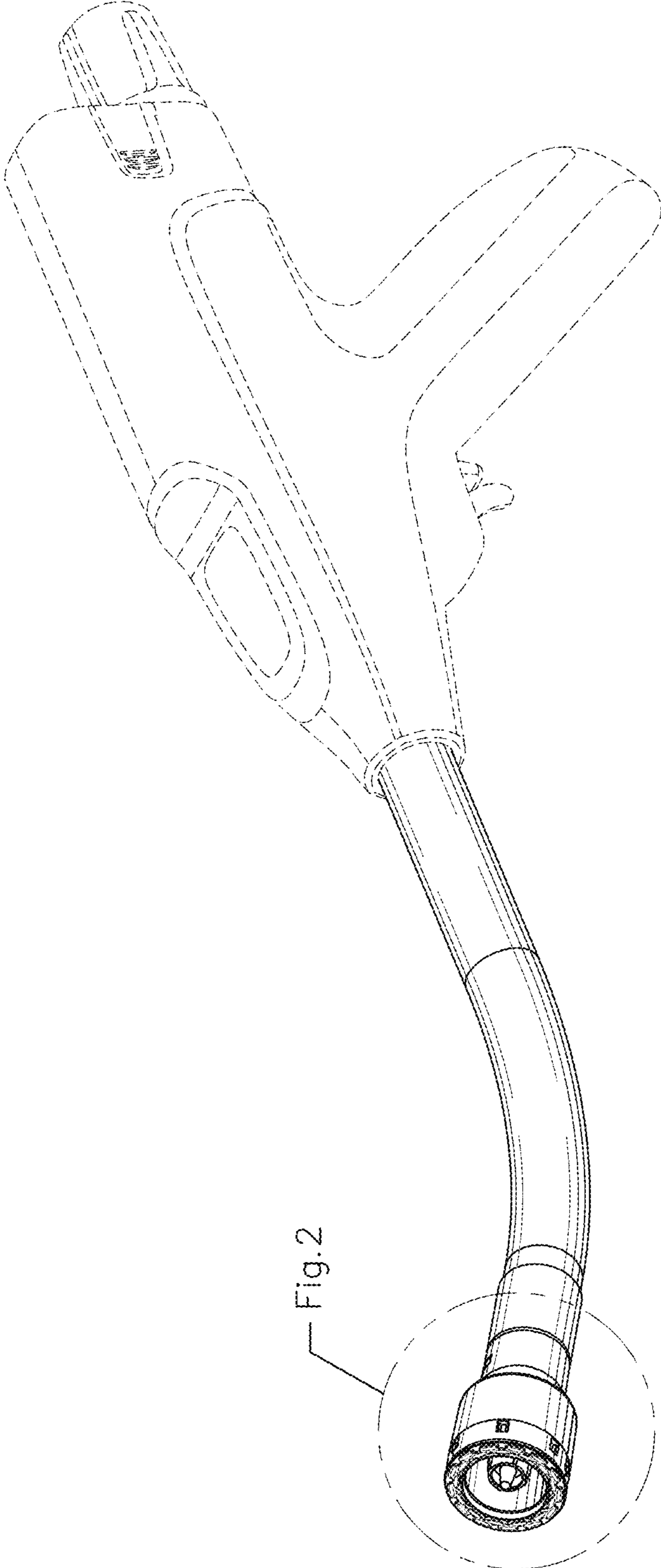


Fig. 1

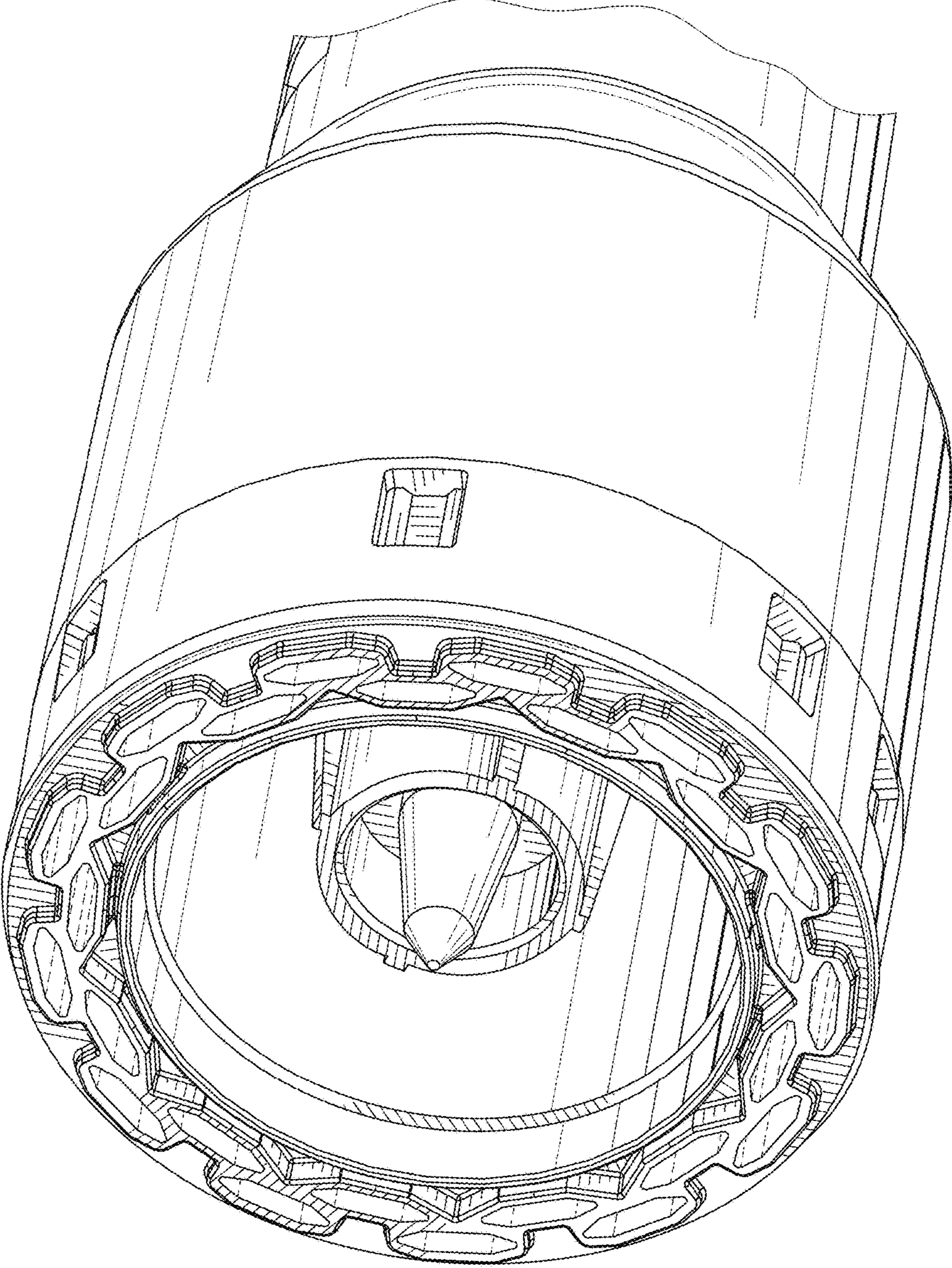


Fig. 2

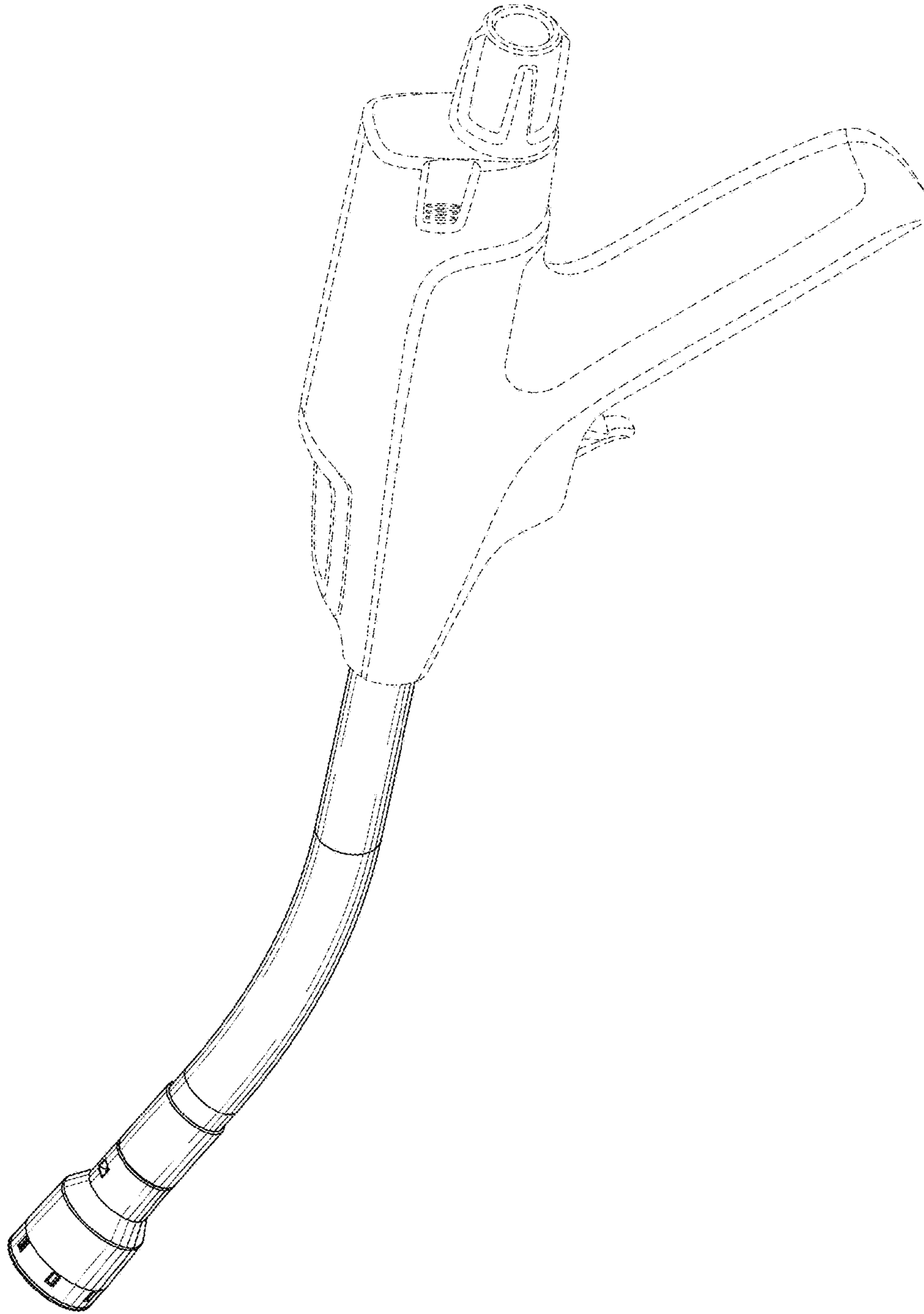


Fig. 3

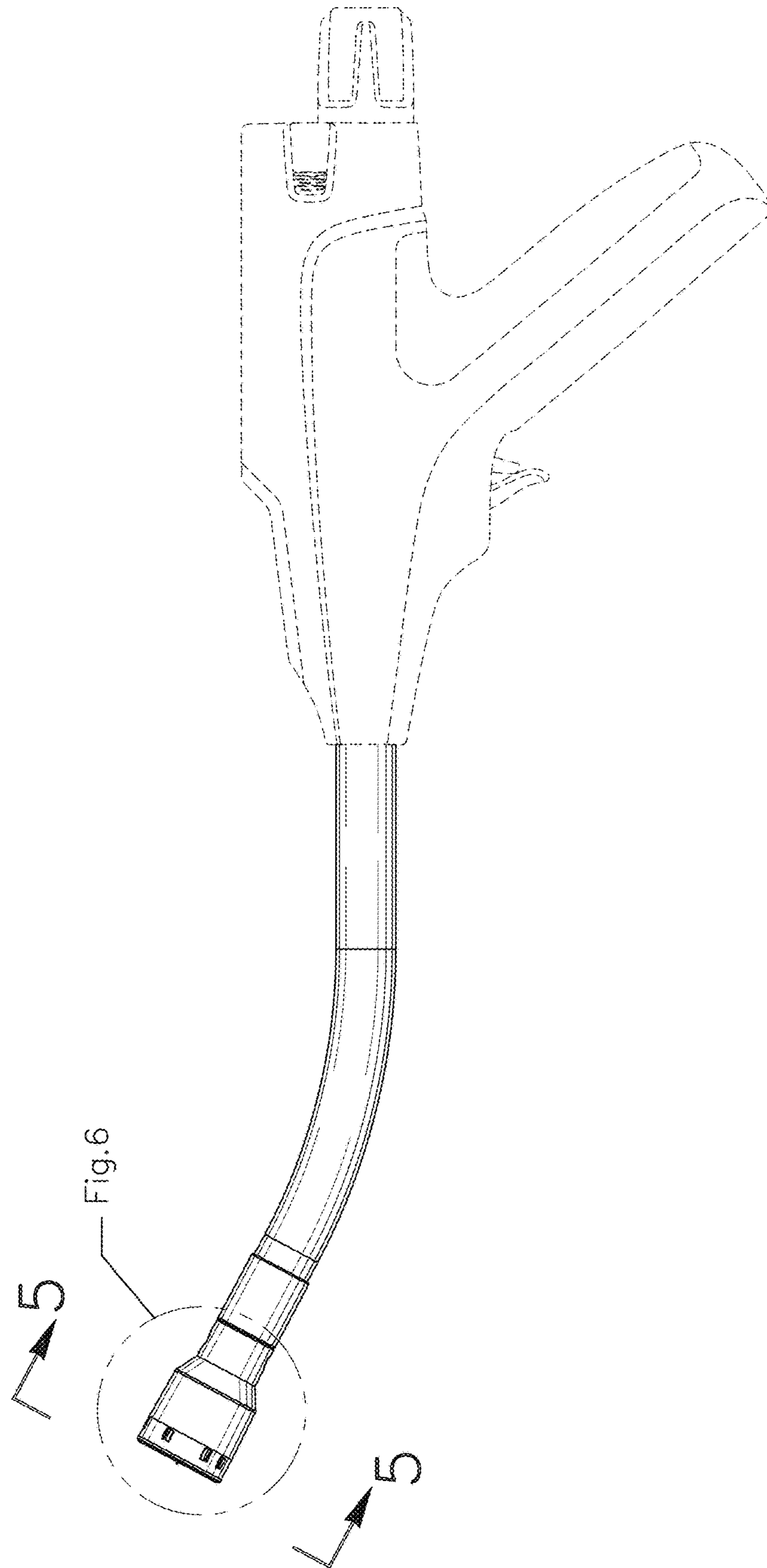


Fig. 4

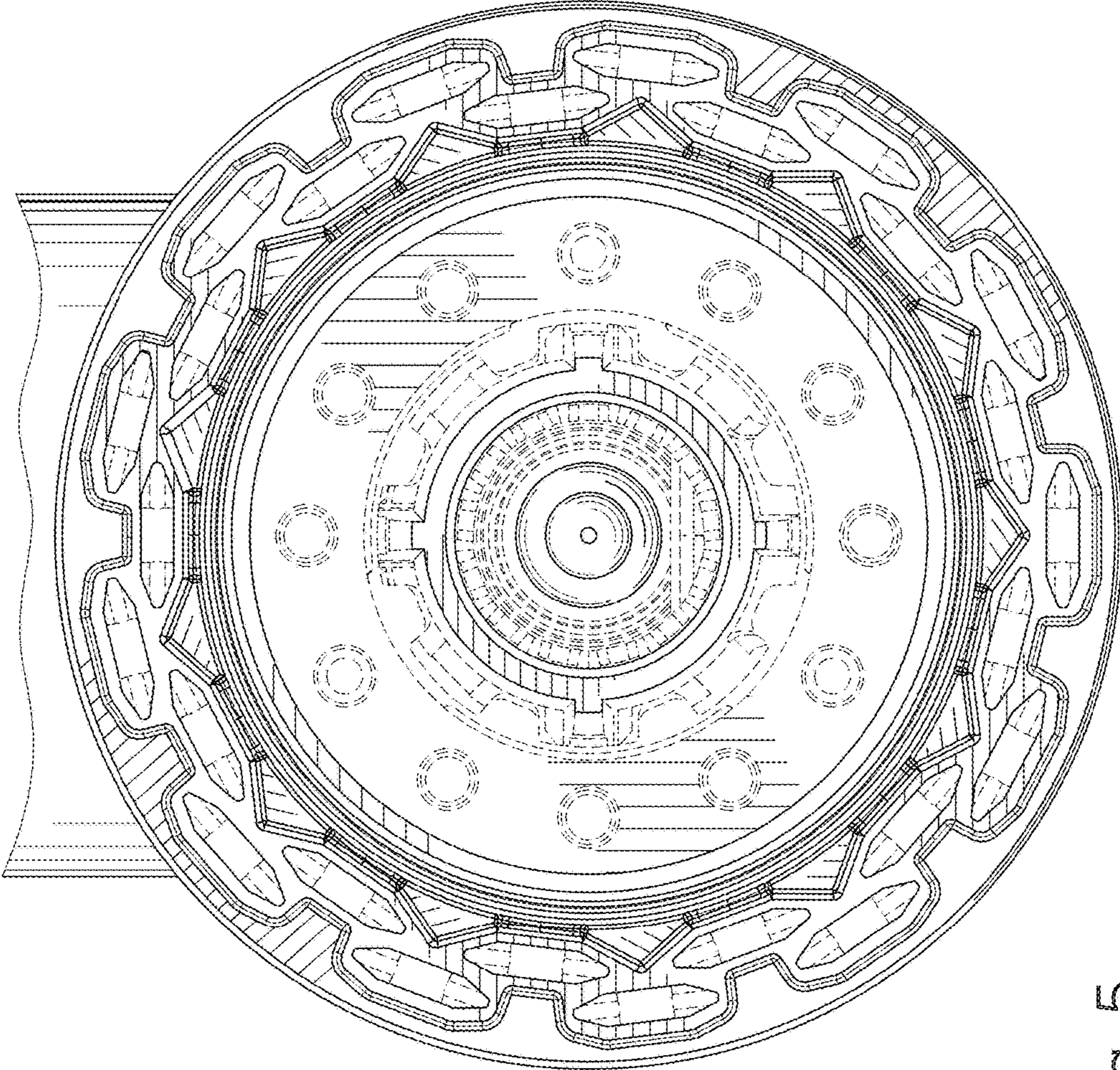


Fig. 5

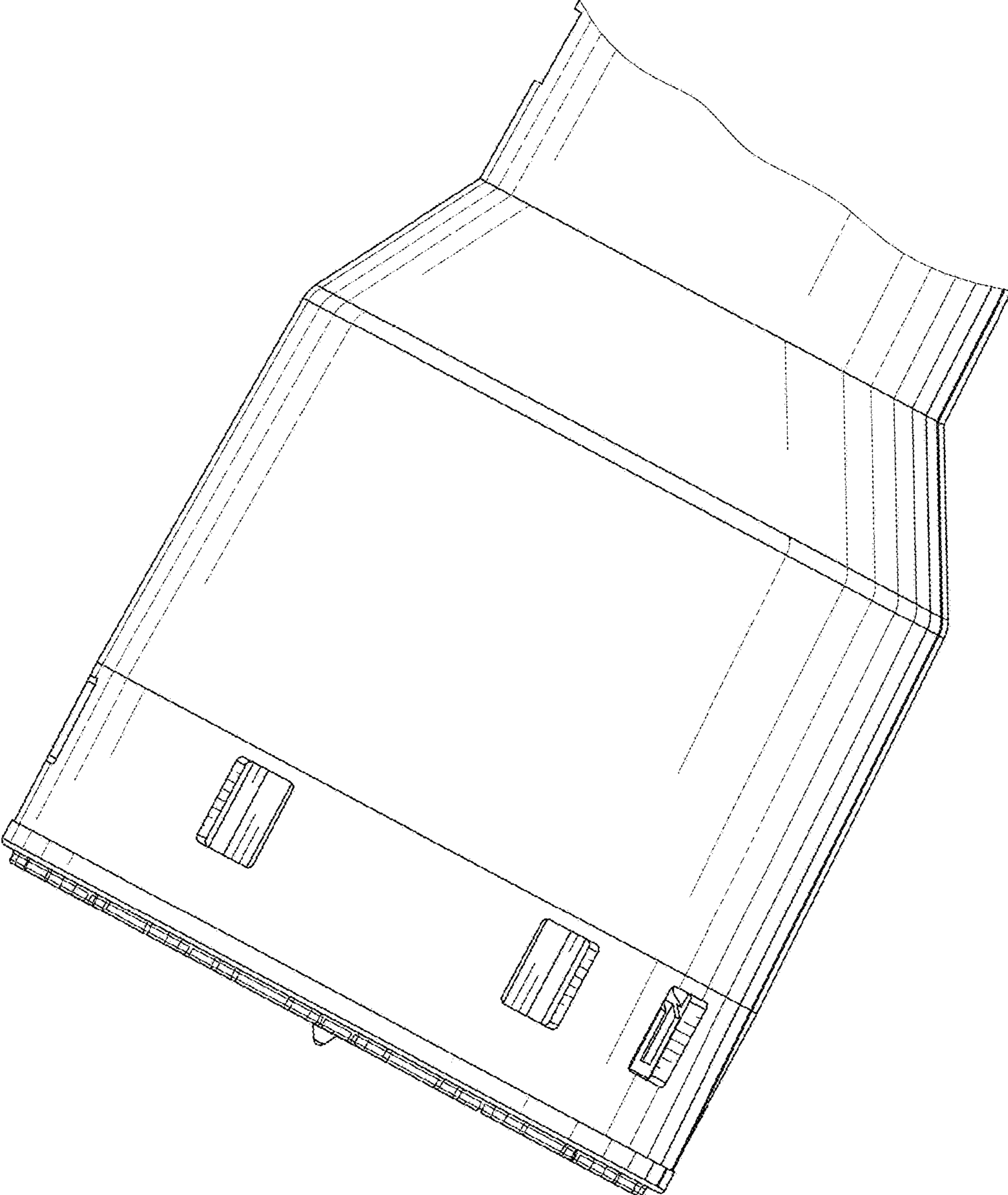


Fig. 6

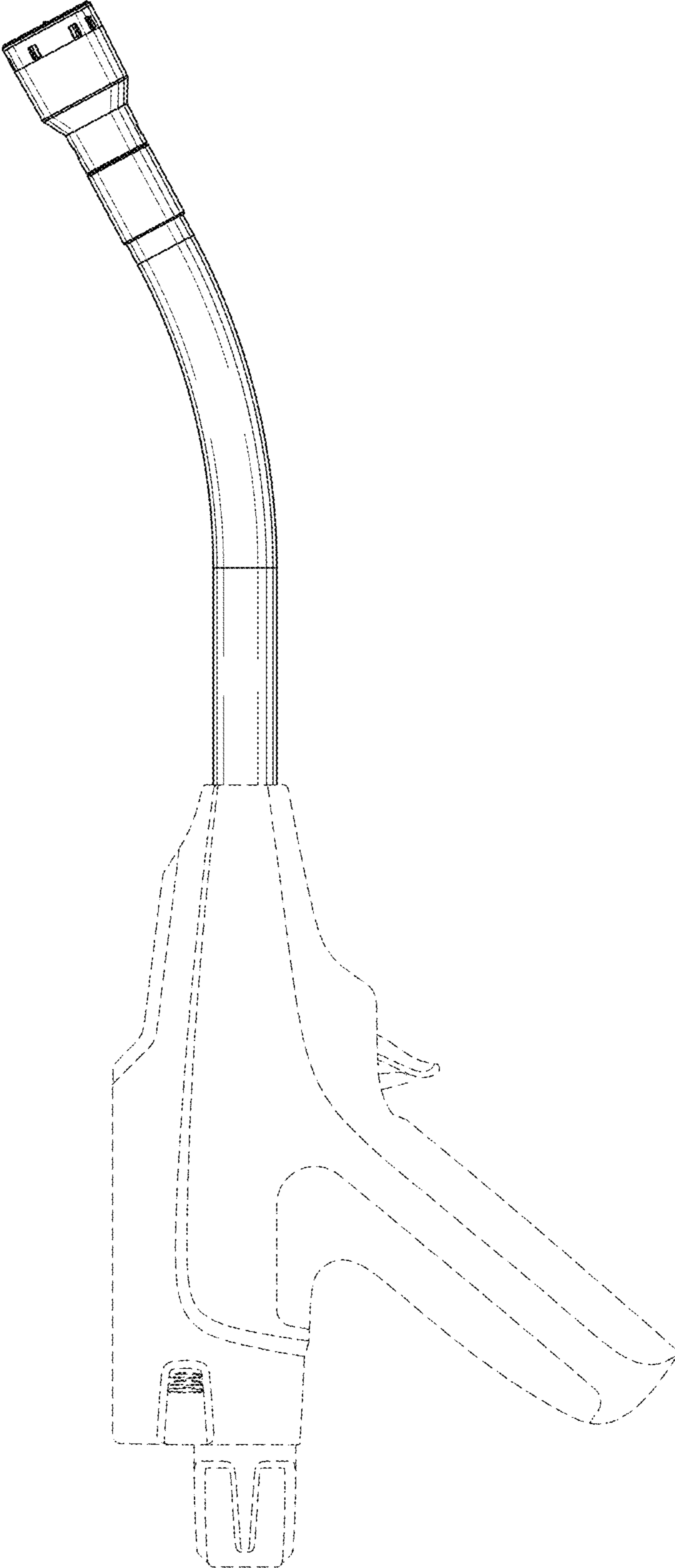


Fig. 7

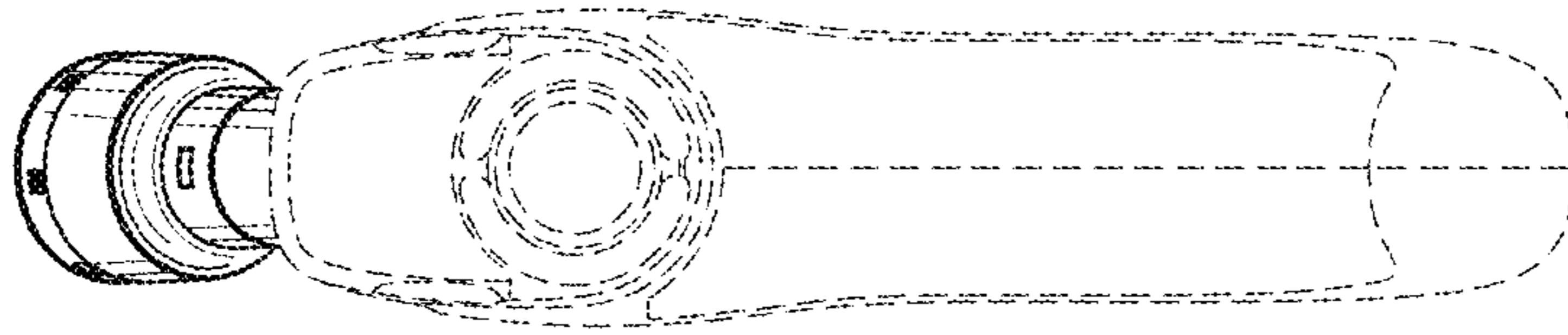


Fig. 9

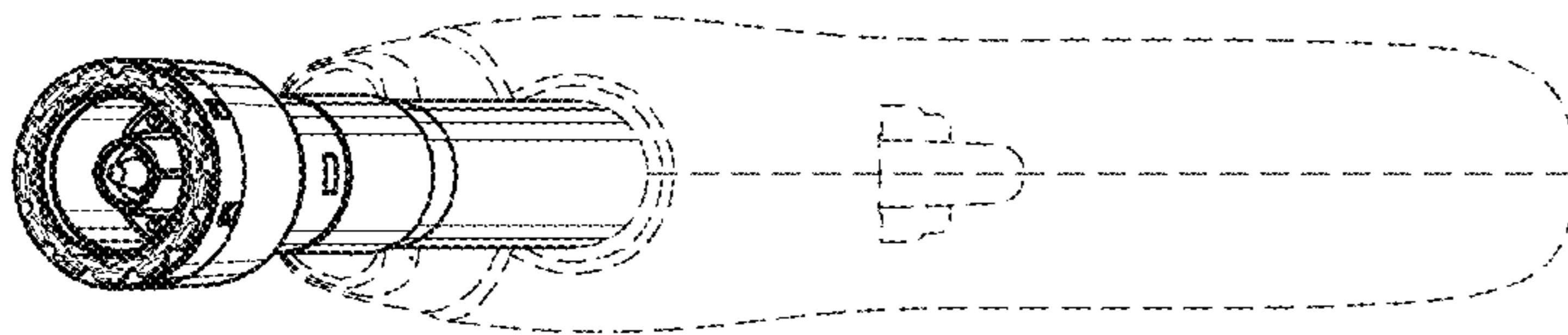


Fig. 8

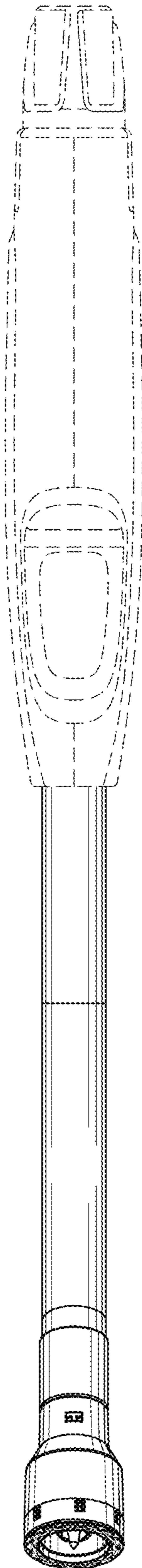


Fig. 10

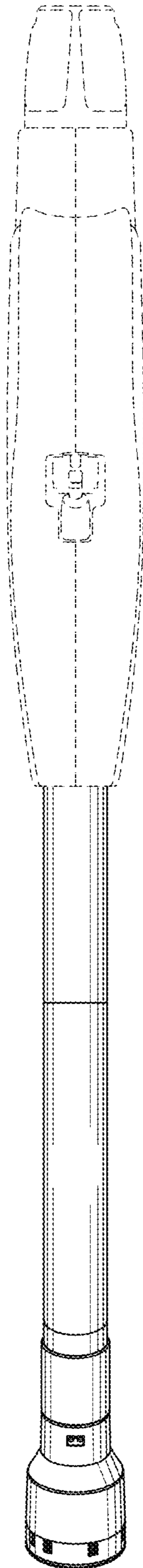


Fig. 11