



US00D830548S

(12) **United States Design Patent** (10) **Patent No.:** **US D830,548 S**
Kemp (45) **Date of Patent:** **** Oct. 9, 2018**

(54) **ACCESSORY FOR MEDICAL CARE APPARATUS**

(71) Applicant: **Intersurgical AG**, Vaduz (LI)

(72) Inventor: **Jane Kemp**, Wokingham (GB)

(73) Assignee: **Intersurgical AG**, Vaduz (LI)

(**) Term: **15 Years**

(21) Appl. No.: **29/539,814**

(22) Filed: **Sep. 17, 2015**

(30) **Foreign Application Priority Data**

Mar. 17, 2015 (EM) 002657734

(51) **LOC (11) Cl.** **24-02**

(52) **U.S. Cl.**
USPC **D24/129**

(58) **Field of Classification Search**
USPC D24/127-131, 112-114, 133, 108, 186;
606/181, 185; 604/264, 523-528, 272,
(Continued)

(56) **References Cited**

U.S. PATENT DOCUMENTS

D288,961 S * 3/1987 Andersen D24/118
D330,420 S * 10/1992 Nottage D24/130
(Continued)

Primary Examiner — David Muller

(74) *Attorney, Agent, or Firm* — LeClairRyan PLLC

(57) **CLAIM**

The ornamental design for accessory for medical care apparatus, as shown and described.

DESCRIPTION

FIG. 1 is a top plan view of an open configuration of an accessory for medical care apparatus.

FIG. 2 is a bottom plan view of an open configuration of the accessory for medical care apparatus shown in FIG. 1.

FIG. 3 is a top front perspective view of an open configuration of the accessory for medical care apparatus shown in FIG. 1.

FIG. 4 is a bottom front perspective view of an open configuration of the accessory for medical care apparatus shown in FIG. 1.

FIG. 5 is a left side elevational view an open configuration of the accessory for medical care apparatus shown in FIG. 1.

FIG. 6 is a top front perspective view of a partially closed configuration of the accessory for medical care apparatus shown in FIG. 1.

FIG. 7 is a bottom front perspective view of a partially closed configuration of the accessory for medical care apparatus shown in FIG. 1.

FIG. 8 is a right side elevational view an open configuration of the accessory for medical care apparatus shown in FIG. 1.

FIG. 9 is a top plan view of an open configuration of a second embodiment of an accessory for medical care apparatus; the stippling shown in each of FIGS. 9-16 represents difference in materials.

FIG. 10 is a bottom plan view of an open configuration of the accessory for medical care apparatus shown in FIG. 9.

FIG. 11 is a top front perspective view of an open configuration of the accessory for medical care apparatus shown in FIG. 9.

FIG. 12 is a bottom front perspective view of an open configuration of the accessory for medical care apparatus shown in FIG. 9.

FIG. 13 is a left side elevational view an open configuration of the accessory for medical care apparatus shown in FIG. 9.

FIG. 14 is a top front perspective view of a partially closed configuration of the accessory for medical care apparatus shown in FIG. 9.

FIG. 15 is a bottom front perspective view of a partially closed configuration of the accessory for medical care apparatus shown in FIG. 9; and,

(Continued)

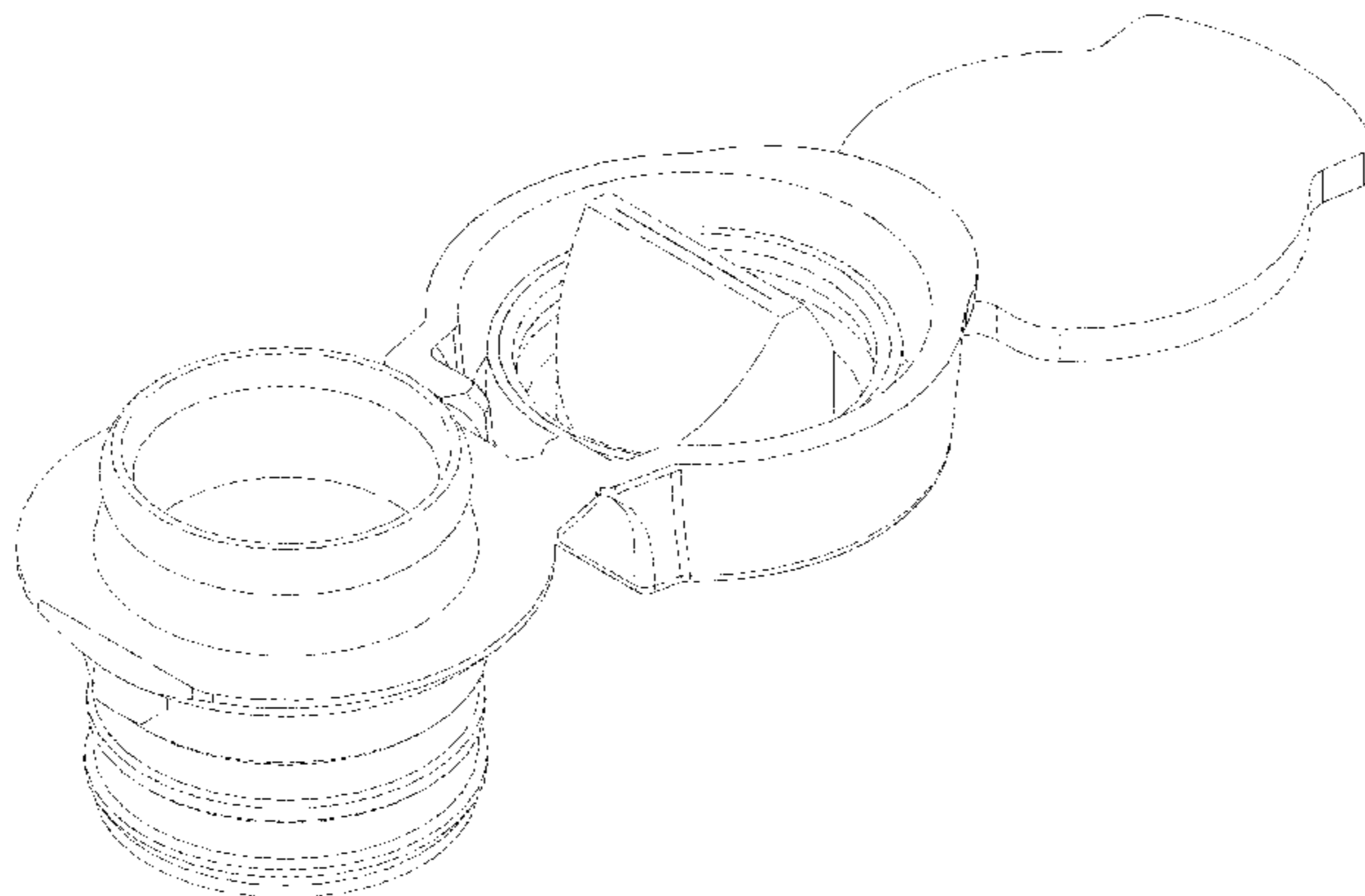


FIG. 16 is a right side elevational view an open configuration of the accessory for medical care apparatus shown in FIG. 9.

1 Claim, 16 Drawing Sheets

(58) **Field of Classification Search**

USPC 604/187, 158, 164.01-164.11, 181, 184,
604/227; 600/101, 139, 143;
128/200.24, 207.14, 207.15
CPC A61M 25/00; A61M 39/00; A61M 27/00;
A61M 25/0043; A61M 25/0067; A61M
25/0097; A61M 5/178; A61M 3/00;
A61M 5/20; A61M 5/31; A61M 5/3146;
A61M 5/3129; A61M 5/3148; A61M
5/315; A61F 2/958

See application file for complete search history.

(56)

References Cited

U.S. PATENT DOCUMENTS

D369,214	S *	4/1996	Nason	210/359
D492,030	S *	6/2004	Rani	D24/129
D516,732	S *	3/2006	Sakurai	D24/186
D561,329	S *	2/2008	McMichael	D24/108
7,370,653	B2	5/2008	Payne		
D616,092	S *	5/2010	Domkowski	D24/129
D634,006	S *	3/2011	Blanco	A61B 17/3462 D24/129
D639,938	S *	6/2011	Blanco	D24/129
D660,960	S *	5/2012	Gronberg	D24/129
D694,881	S *	12/2013	Gonzales	D24/130
D750,775	S *	3/2016	Carrel	D24/130
D759,234	S *	6/2016	Bertinetti	D24/127

* cited by examiner

FIG. 1

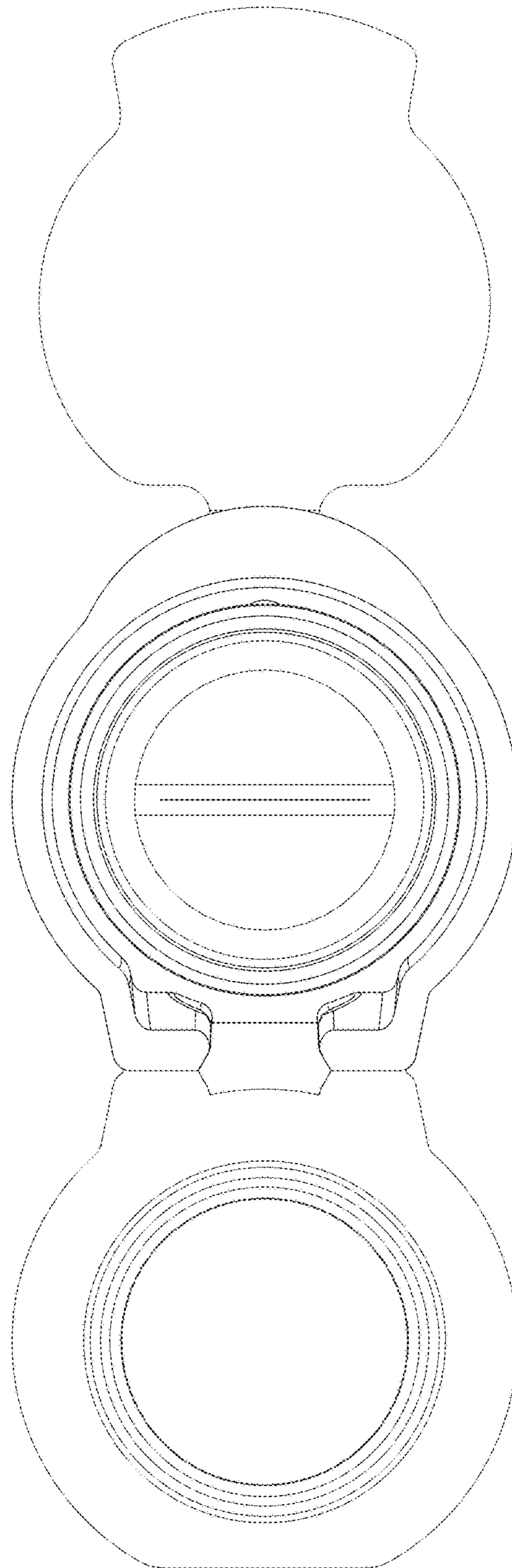
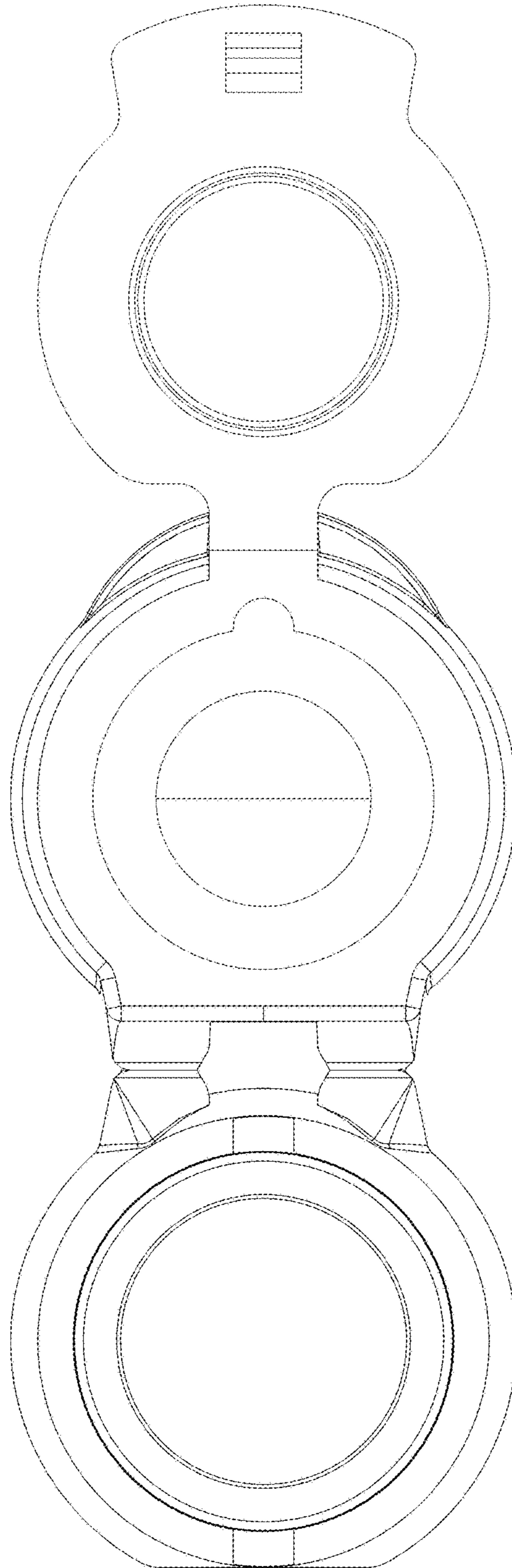


FIG. 2



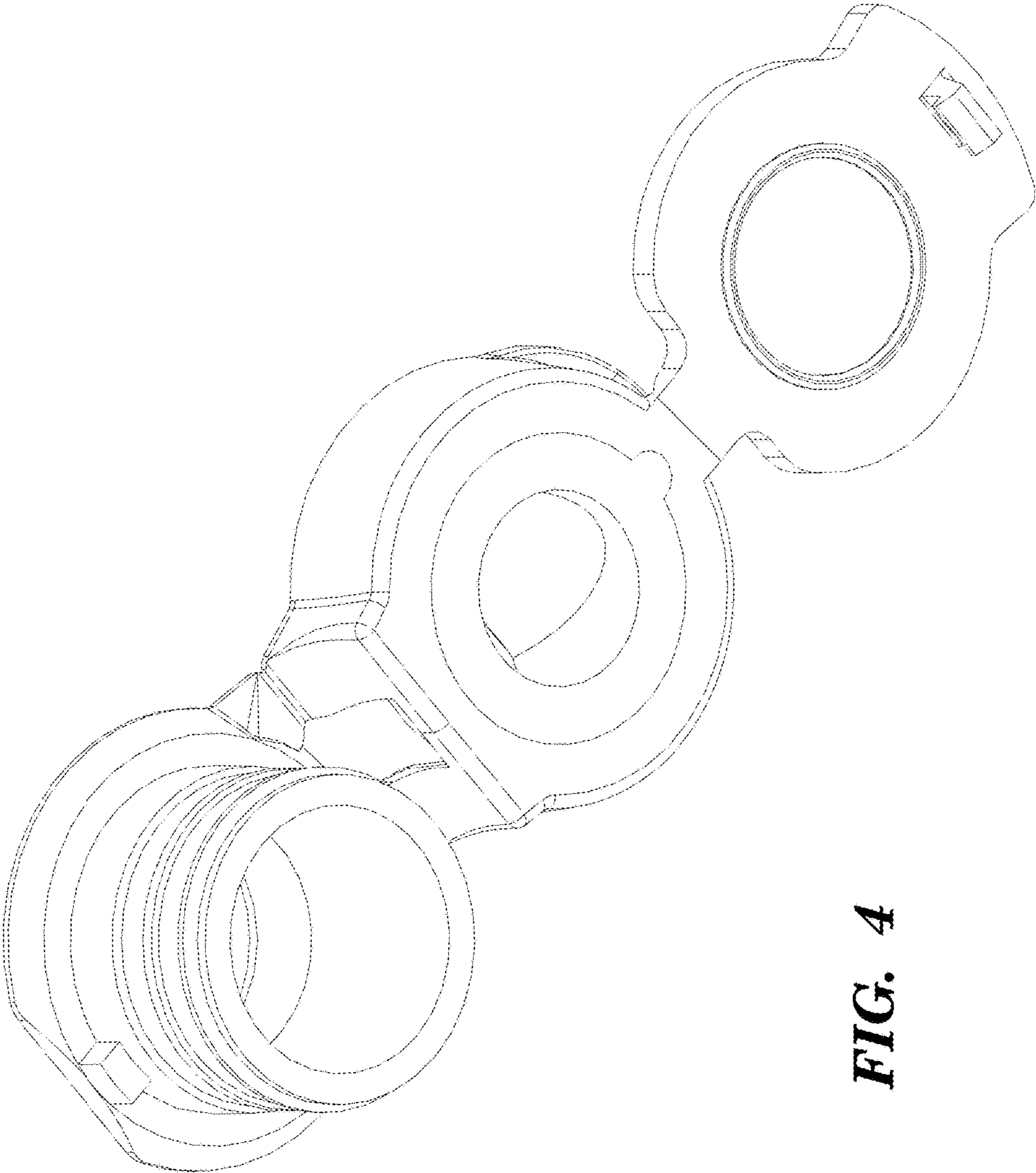
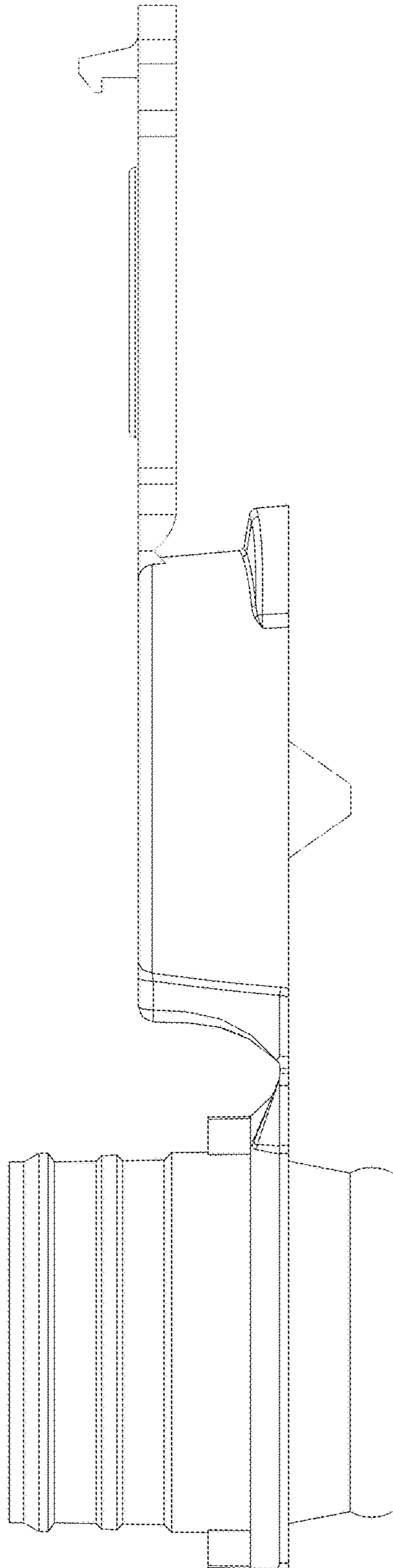


FIG. 4

FIG. 5



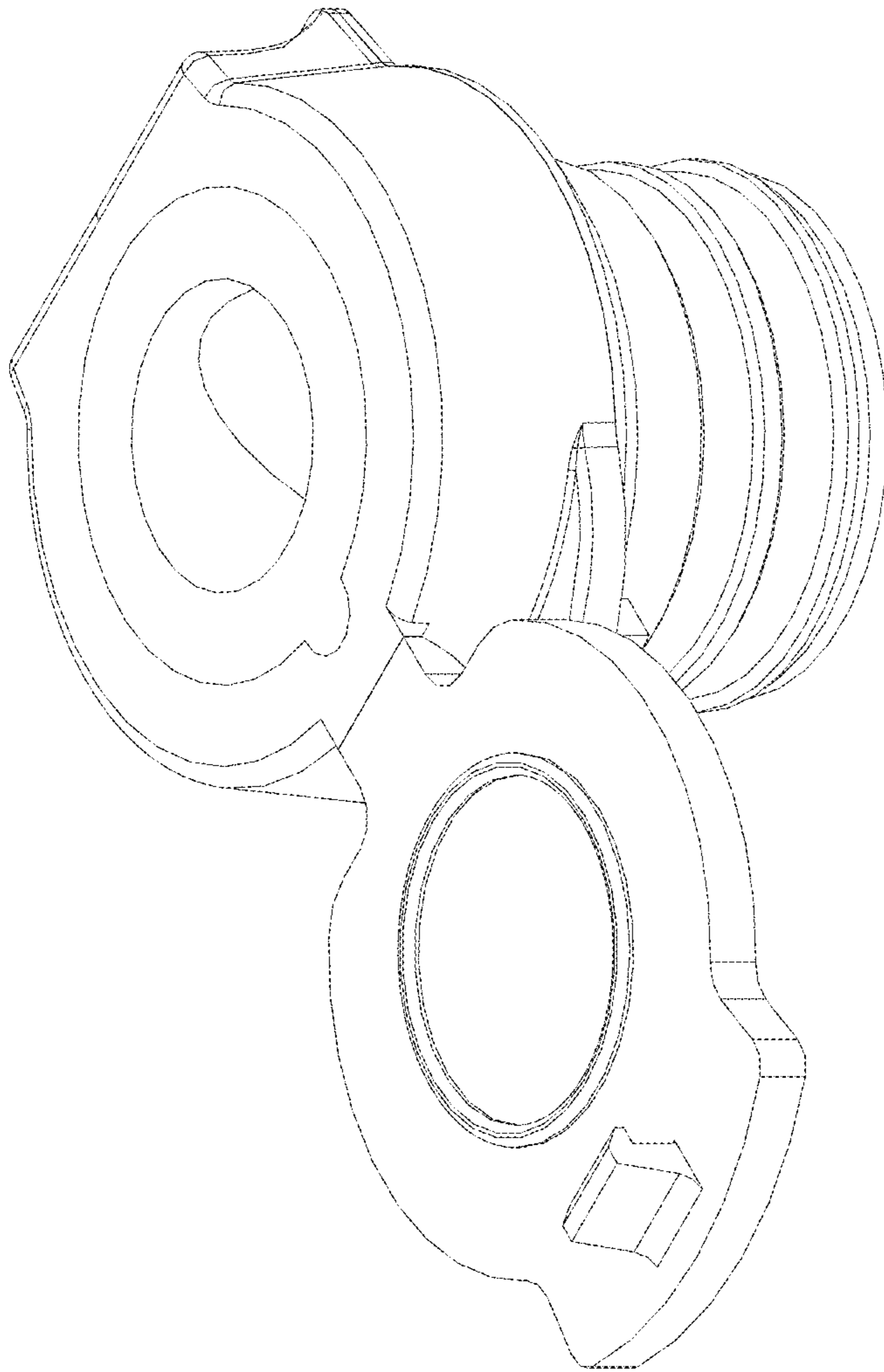


FIG. 6

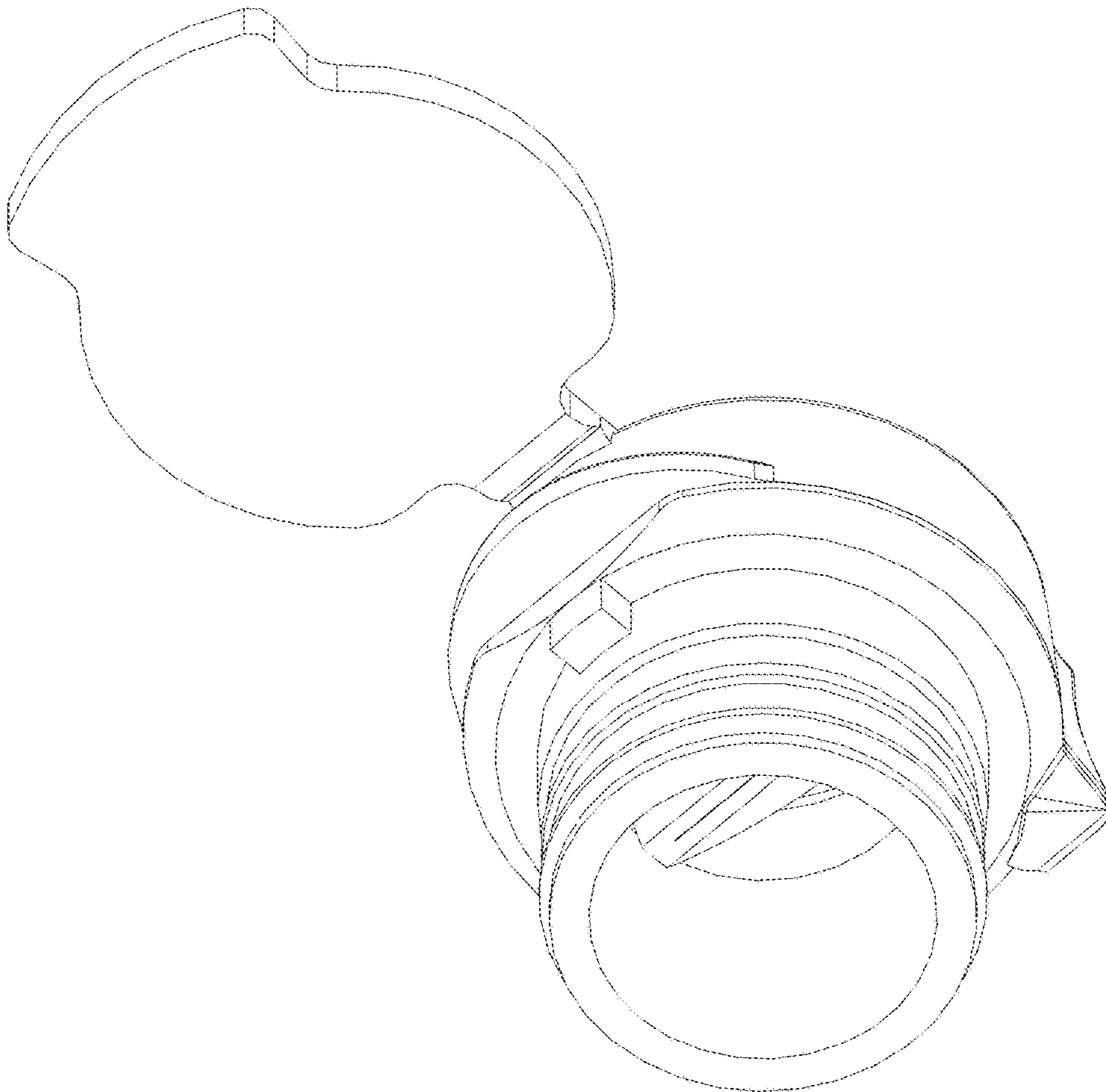


FIG. 7

FIG. 8

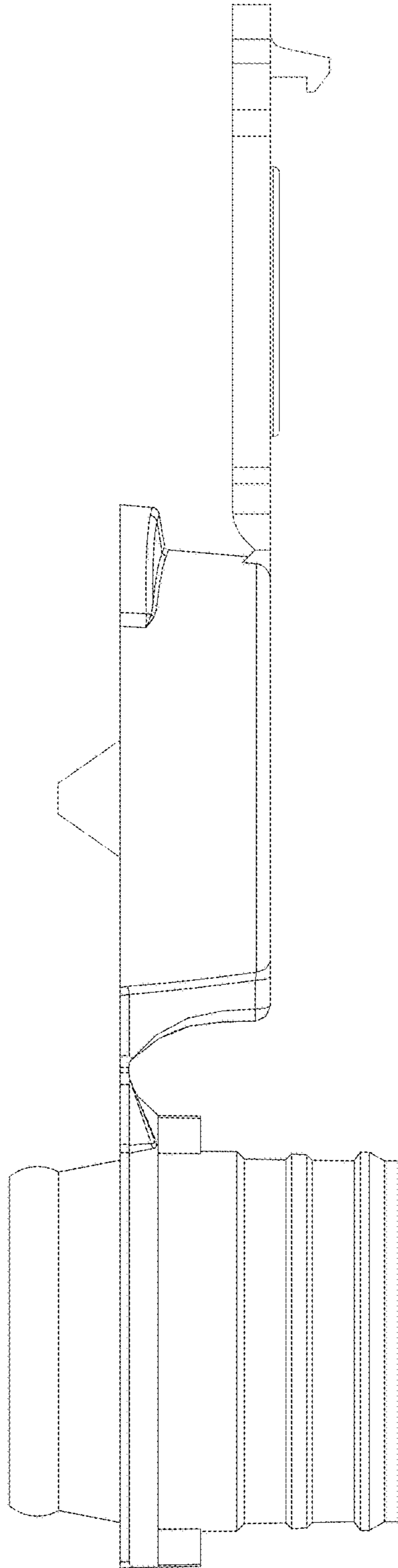


FIG. 9

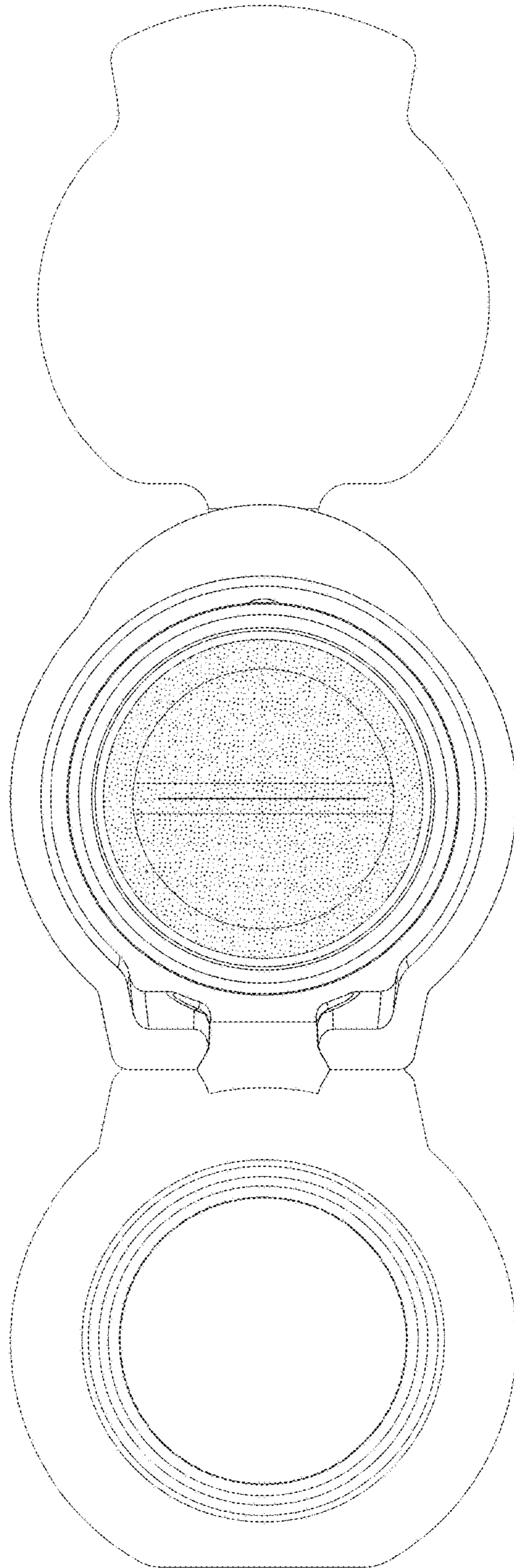
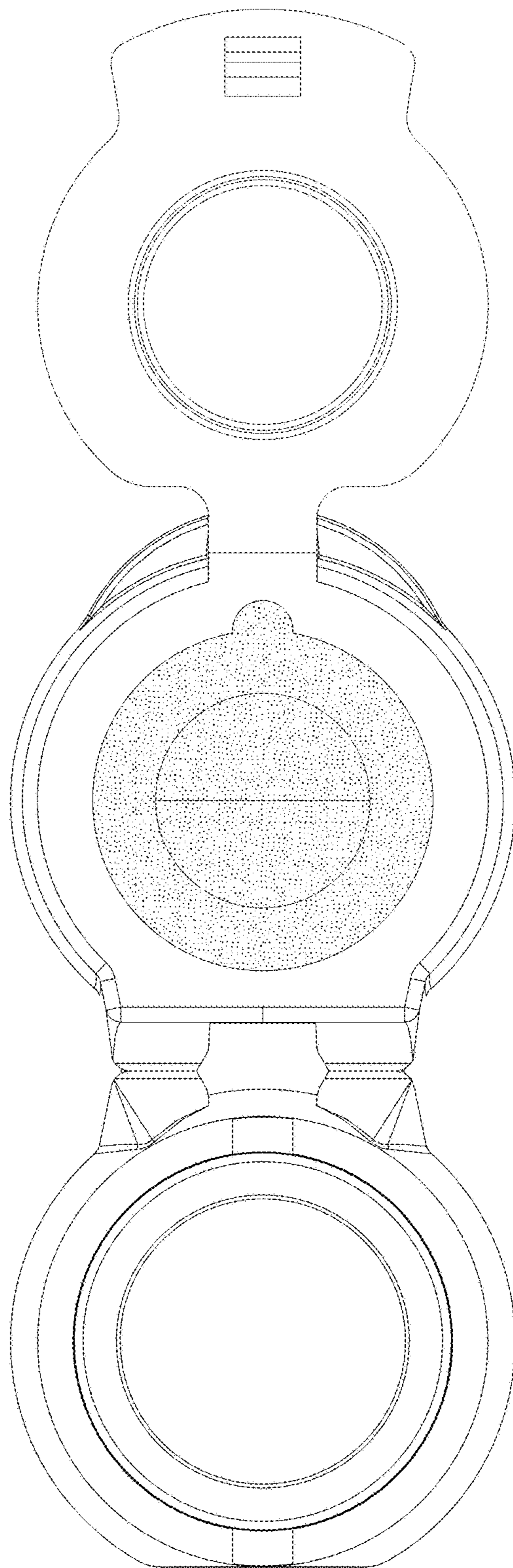


FIG. 10



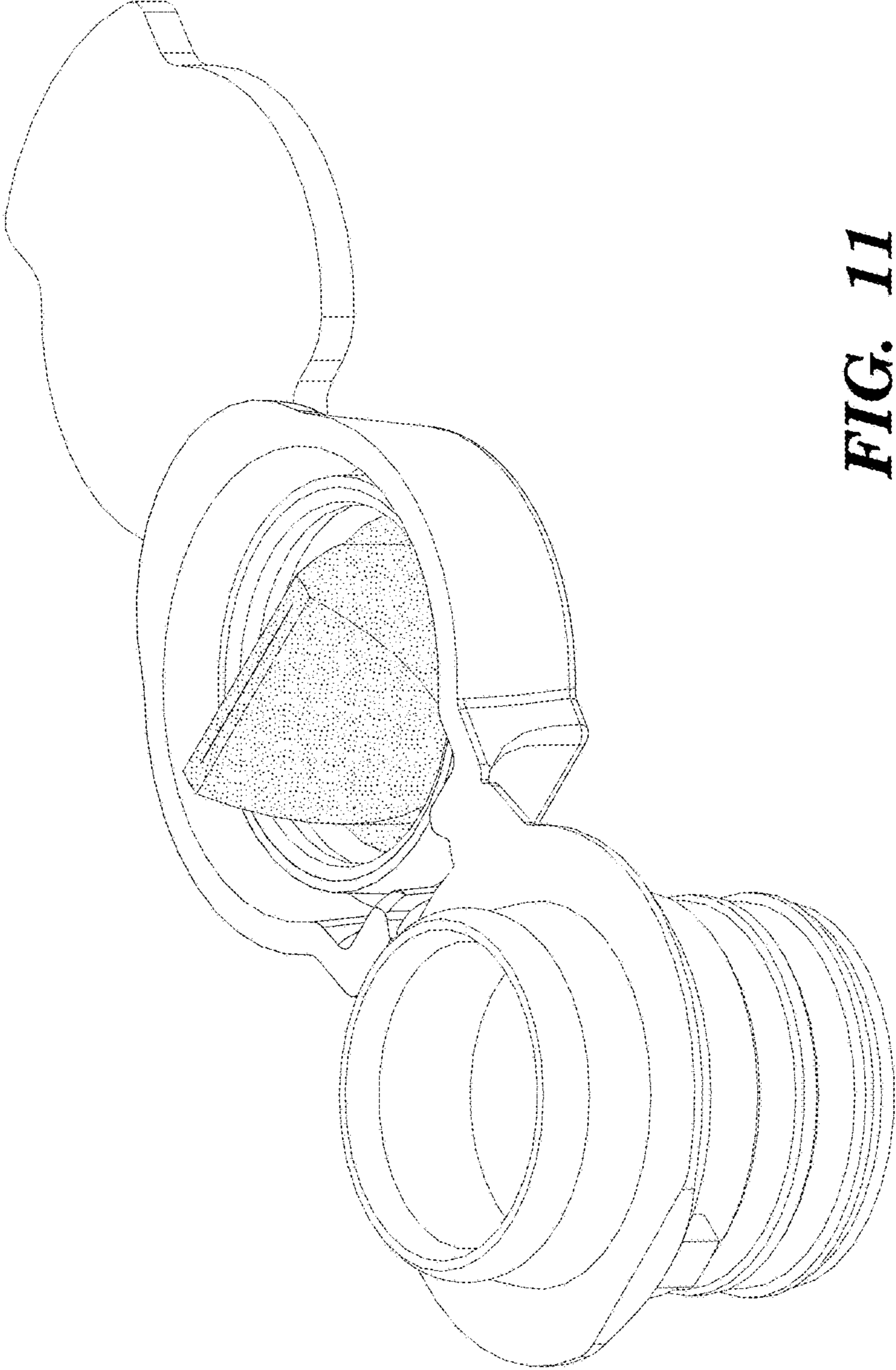


FIG. 11

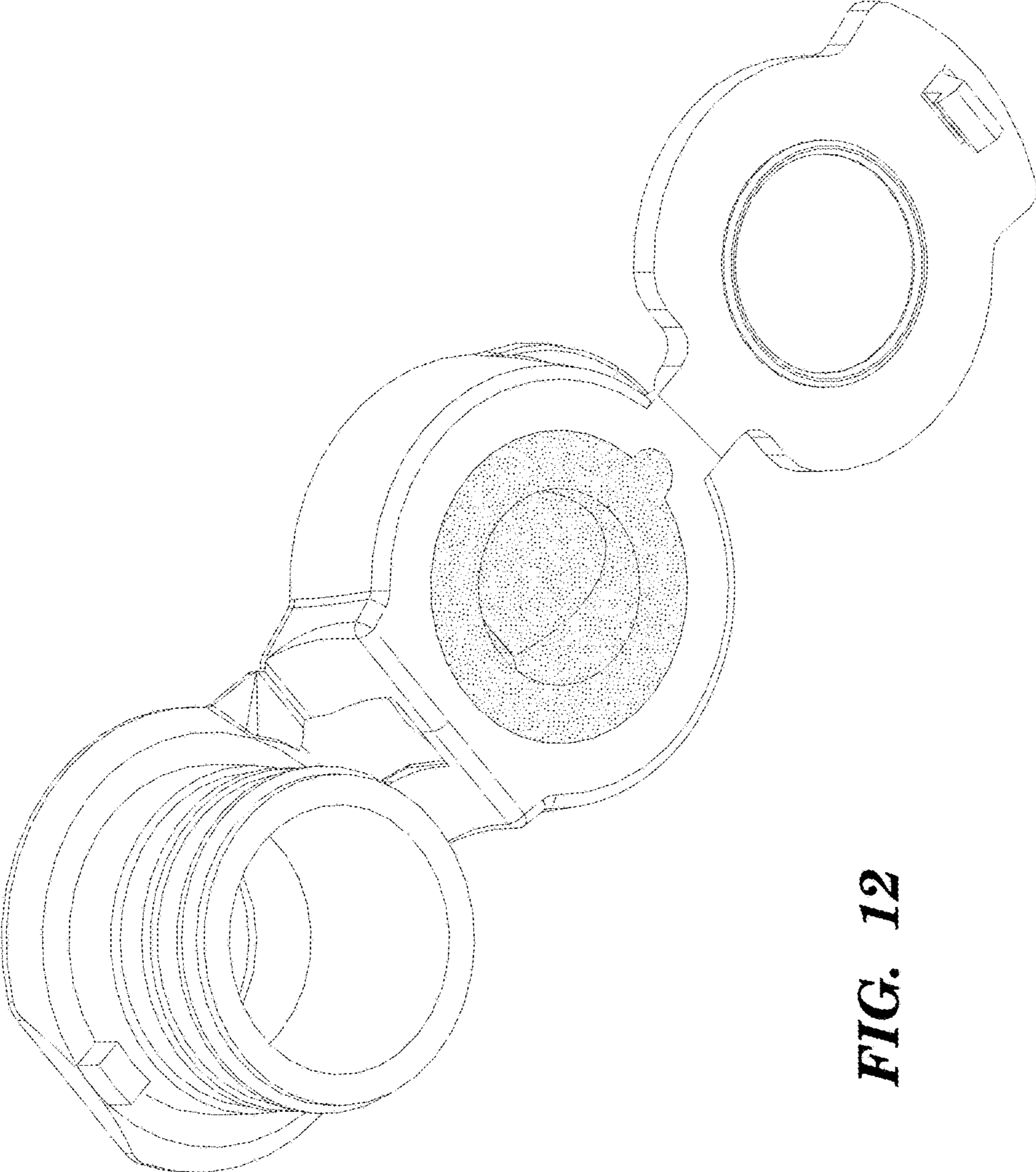
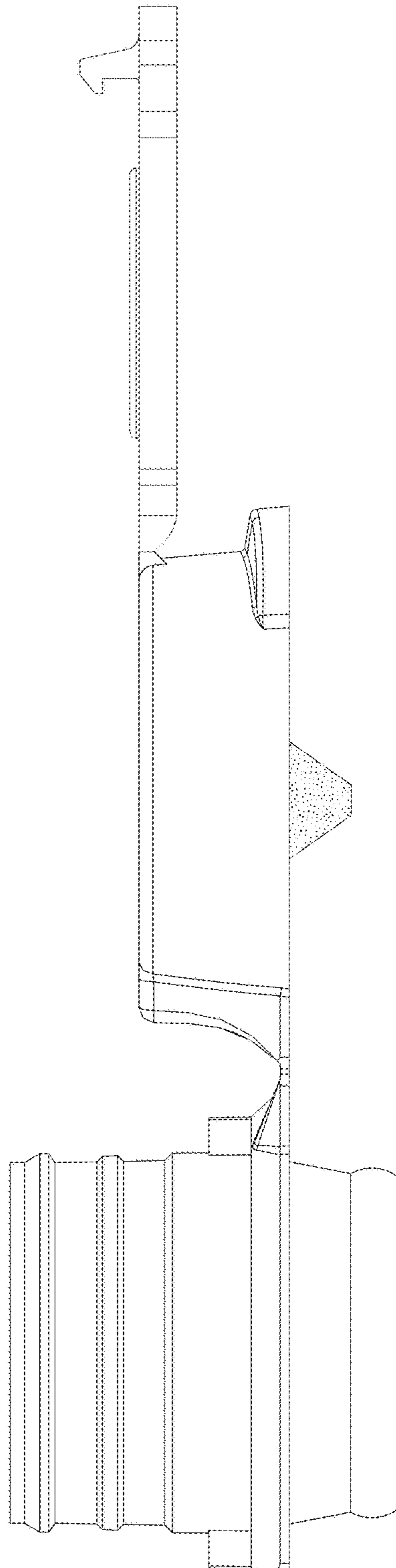


FIG. 12

FIG. 13



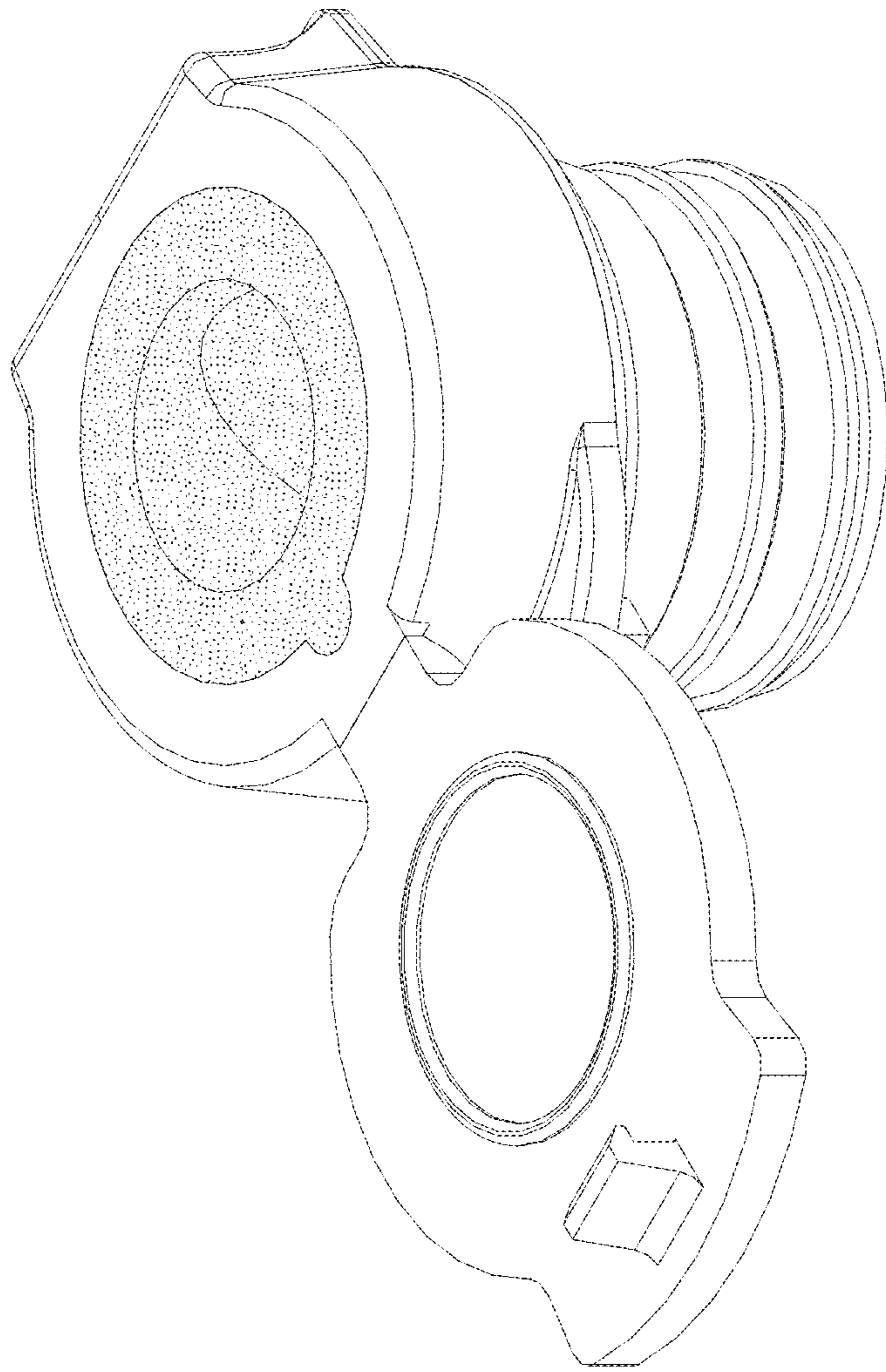


FIG. 14

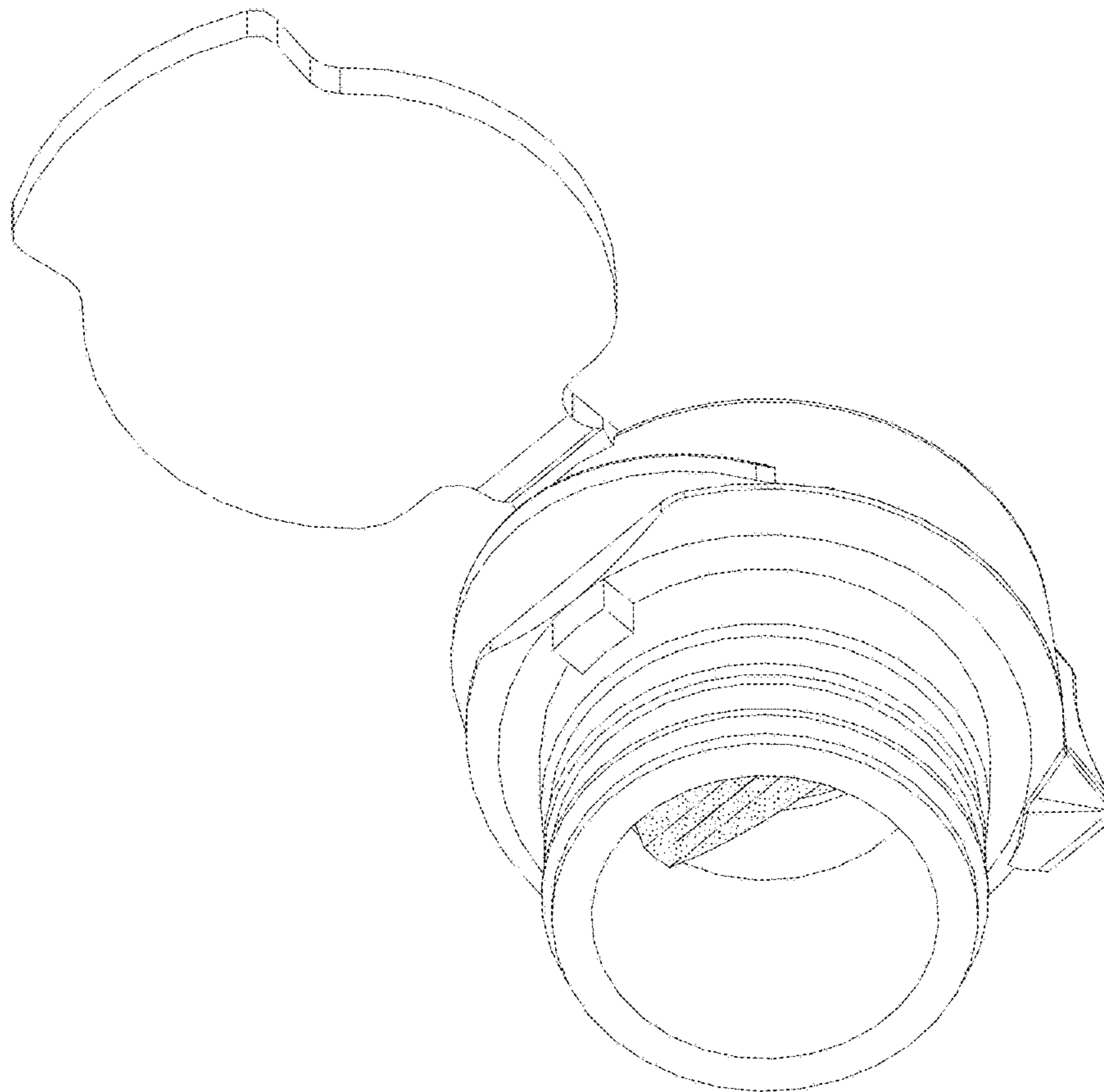


FIG. 15

FIG. 16

