



US00D830546S

(12) **United States Design Patent**
Lacy et al.

(10) **Patent No.:** **US D830,546 S**
(45) **Date of Patent:** **** Oct. 9, 2018**

(54) **RECEPTACLE AREA OF INFUSION PUMP**

FOREIGN PATENT DOCUMENTS

- (71) Applicant: **Smiths Medical ASD, Inc.**, Plymouth, MN (US)
- (72) Inventors: **Christopher Lacy**, Arden Hills, MN (US); **Grant Adams**, Anoka, MN (US); **Harshad Borgaonkar**, Shoreview, MN (US); **Sameer Pai**, Plymouth, MN (US); **Daniel Adamson**, Blaine, MN (US); **Michael Acker**, Saint Paul, MN (US); **Jonathan Sanborn**, Saint Louis Park, MN (US); **Erik Jagger**, Deephaven, MN (US)

WO WO-2010023915 A1 * 3/2010 A61M 5/14228
WO WO 2016/196098 A1 12/2016

Primary Examiner — Sheryl Lane
Assistant Examiner — Calvin E Vansant
(74) *Attorney, Agent, or Firm* — Patterson Thuent Pedersen, P.A.

- (73) Assignee: **Smiths Medical ASD, Inc.**, Plymouth, MN (US)

(**) Term: **15 Years**

(21) Appl. No.: **29/586,038**

(22) Filed: **Nov. 30, 2016**

(51) **LOC (11) Cl.** **24-02**

(52) **U.S. Cl.**
USPC **D24/127; D24/111**

(58) **Field of Classification Search**
USPC D24/108, 112, 114, 127, 128, 129, 130, D24/133, 141, 146, 147, 152, 186, 214,
(Continued)

(56) **References Cited**

U.S. PATENT DOCUMENTS

4,756,706 A * 7/1988 Kerns A61M 5/1413
128/DIG. 13
5,364,364 A * 11/1994 Kasvikis A61M 5/14228
137/556

(Continued)

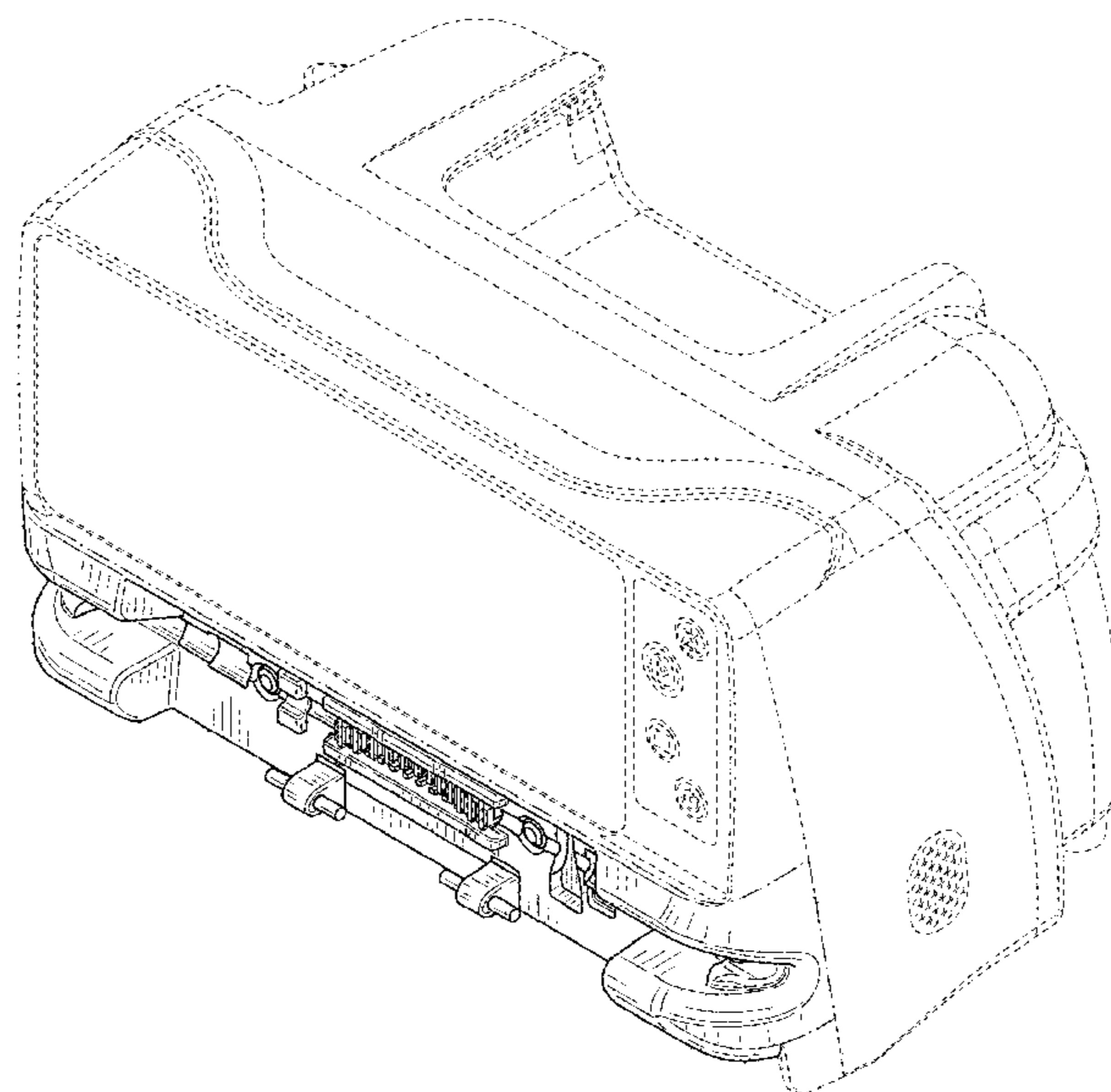
(57) **CLAIM**

We claim the ornamental design for receptacle area of infusion pump, as shown and described.

DESCRIPTION

FIG. 1 is a perspective view of the receptacle area of infusion pump according to an embodiment of the invention. FIG. 2 is a front elevation view of the receptacle area of infusion pump. FIG. 3 is a rear elevation view of the receptacle area of infusion pump. FIG. 4 is a side elevation view of the receptacle area of infusion pump. FIG. 5 is another side elevation view of the receptacle area of infusion pump, from the side opposite that in FIG. 4. FIG. 6 is a top plan view of the receptacle area of infusion pump. FIG. 7 is a bottom plan view of the receptacle area of infusion pump. FIG. 8 is another perspective view of the receptacle area of infusion pump; and, FIG. 9 is another front view of the receptacle area of infusion pump. The dashed broken lines depict portions of the receptacle area of infusion pump that form no part of the claimed design. The dash-dot lines represent the boundary of the claim and form no part of the claim.

1 Claim, 9 Drawing Sheets



(58) **Field of Classification Search**

USPC D24/215; D8/93, 97, 300, 310, 311;
D23/129, 223, 249, 259, 262; D16/202;
D14/171, 196
CPC A61B 1/00094; A61M 2005/1583; A61M
2005/1586; A61M 2005/3277; A61M
5/158; A61M 5/1582; A61M 5/3243;
A61M 25/0606; A61M 25/0612; A61M
25/0631; A61M 25/0637; A61M 5/14228;
A61M 5/142; A61F 2002/9517; F04B
43/082; F04B 43/1223

See application file for complete search history.

(56) **References Cited**

U.S. PATENT DOCUMENTS

D367,527	S	*	2/1996	Marston	D24/111
D390,654	S	*	2/1998	Alsberg	D24/111
D586,463	S	*	2/2009	Evans	D24/111
8,499,108	B2		7/2013	Edwards et al.		
D730,514	S	*	5/2015	Boaz	D24/111
D765,832	S	*	9/2016	Hochman	D24/111
D801,519	S	*	10/2017	Sabin	D24/108
D803,386	S	*	11/2017	Sabin	D24/108
D803,387	S	*	11/2017	Bodwell	D24/108
2009/0043252	A1	*	2/2009	Haylor	A61M 5/1413 604/67
2015/0314066	A1	*	11/2015	Shimizu	A61M 5/16831 604/507

* cited by examiner

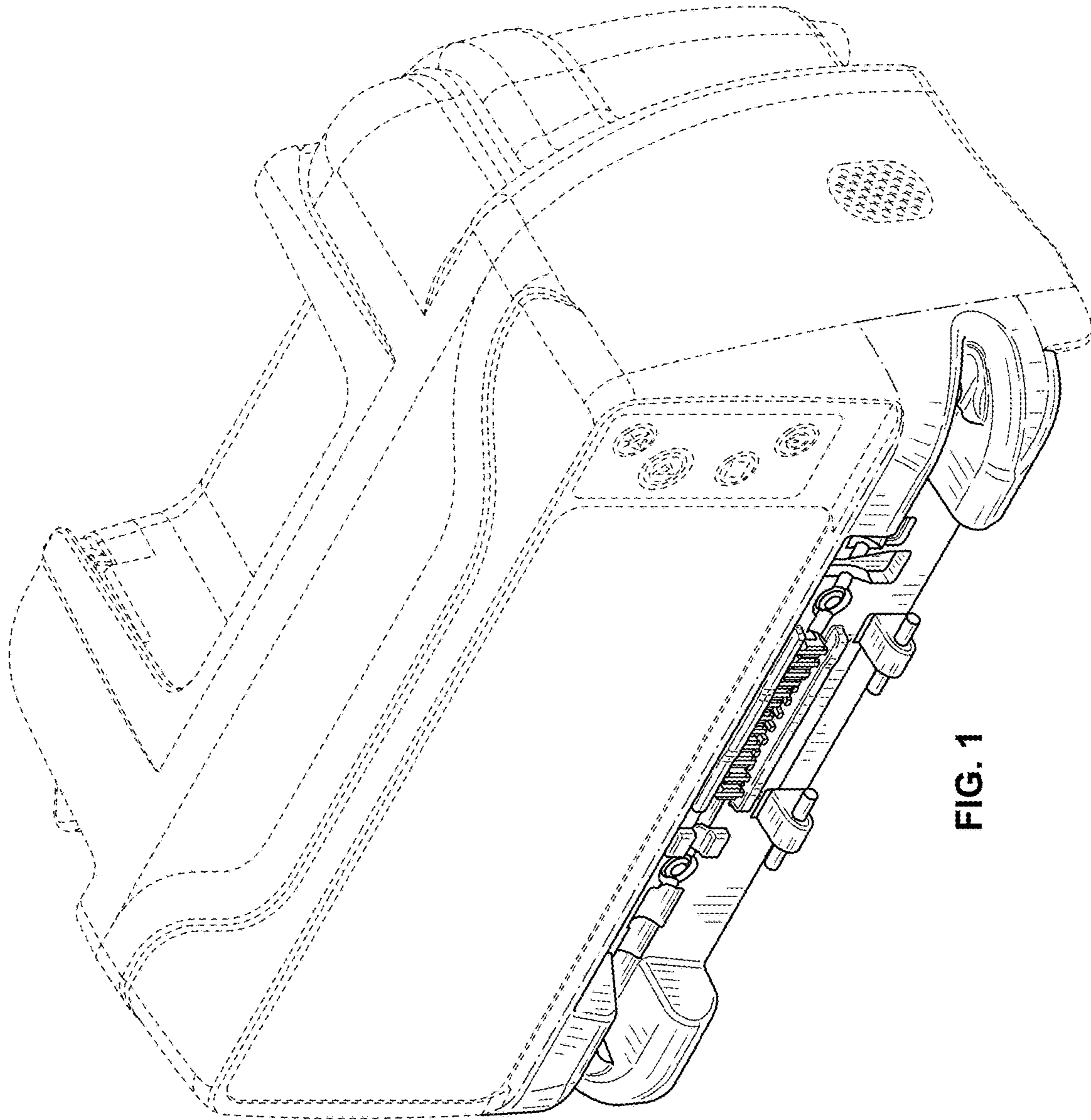


FIG. 1

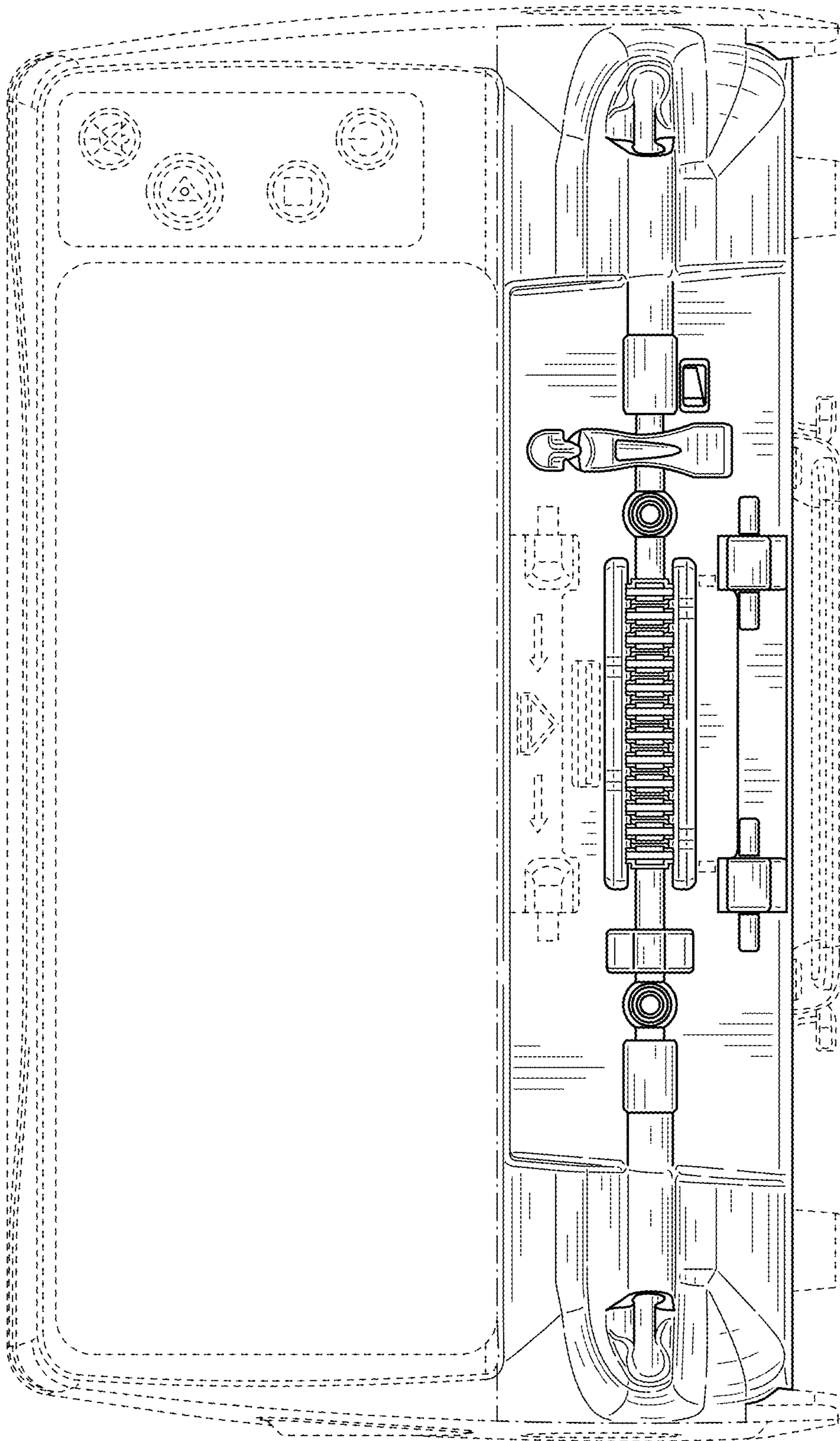


FIG. 2

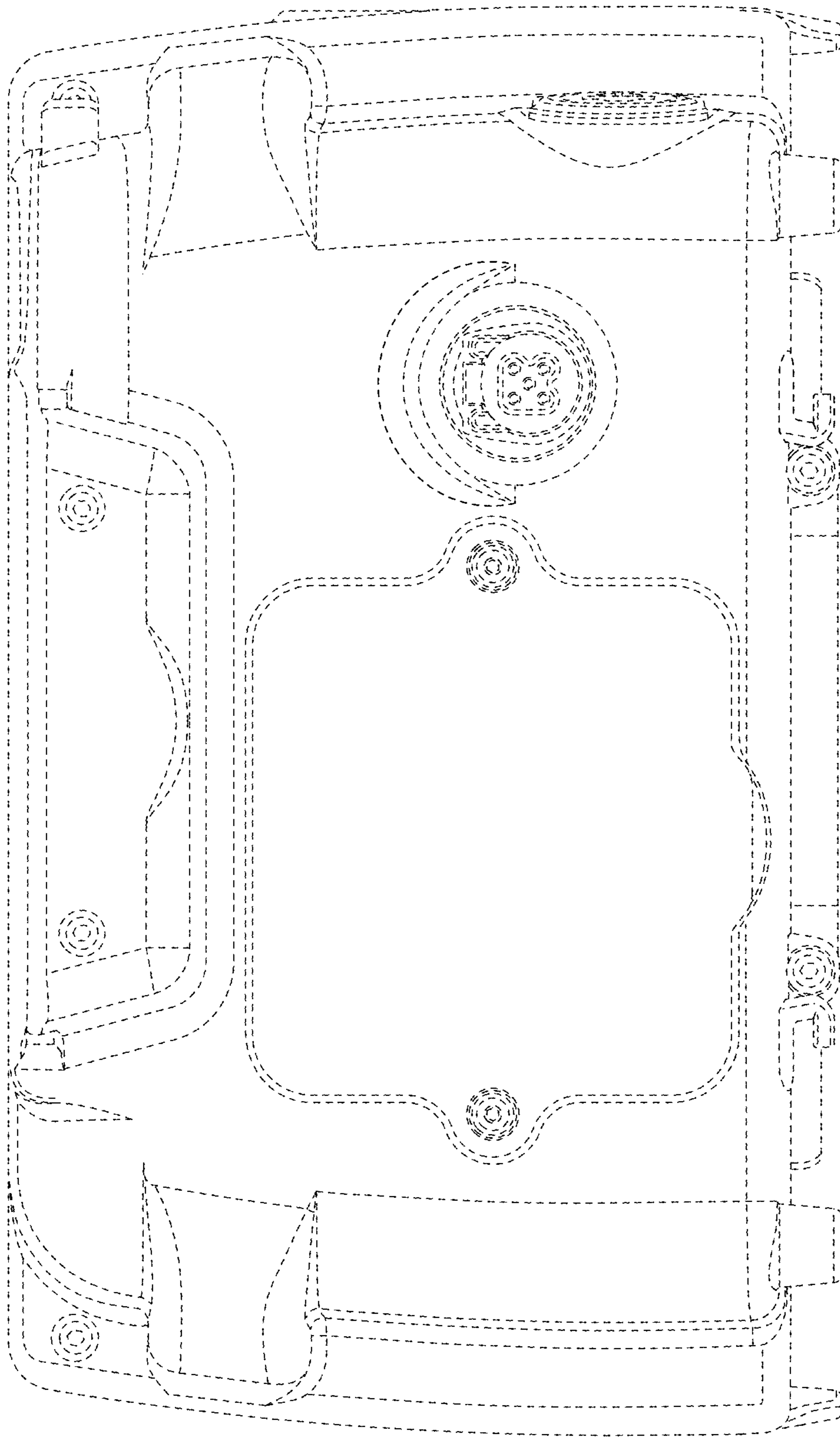


FIG. 3

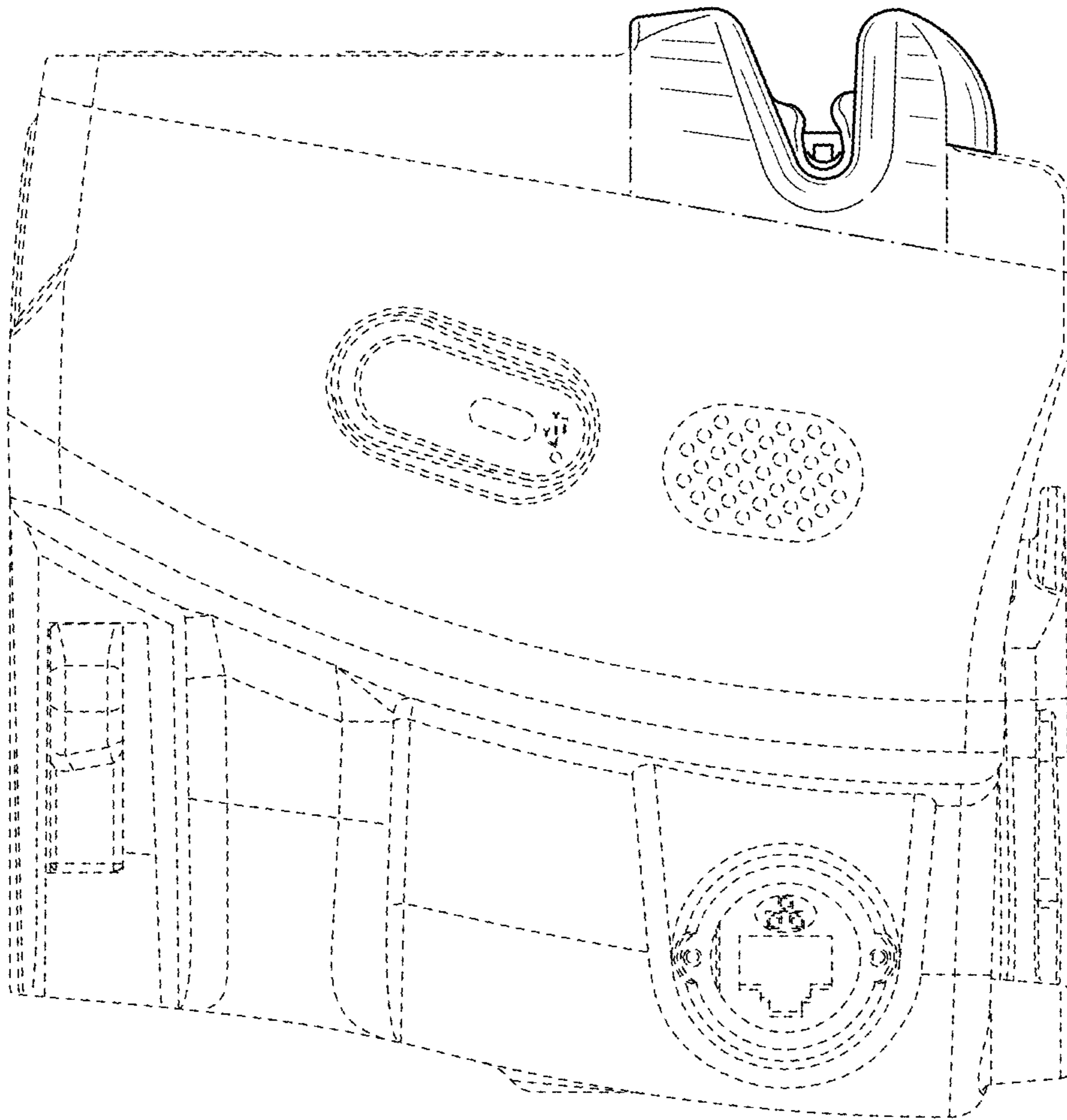


FIG. 4

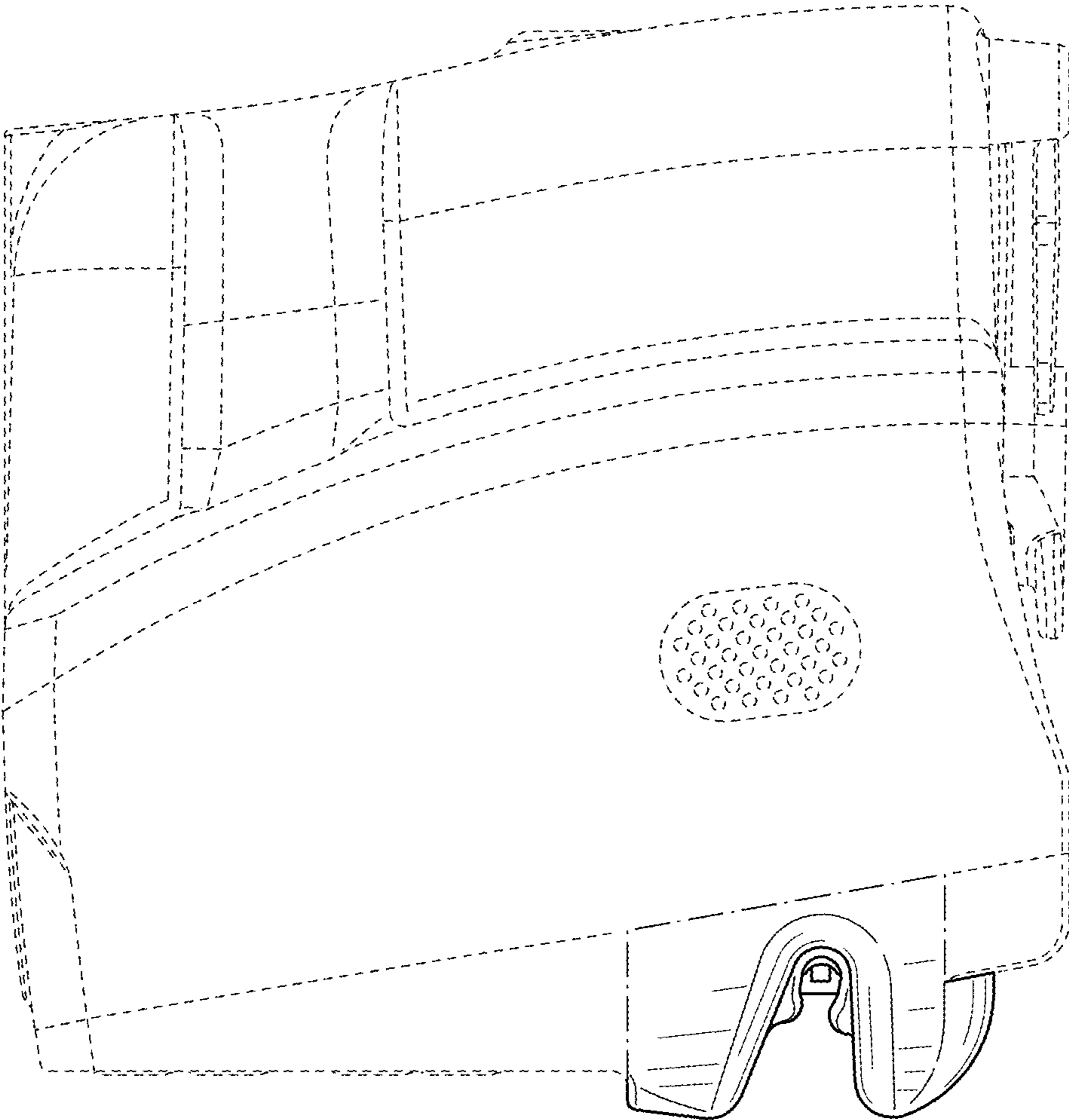


FIG. 5

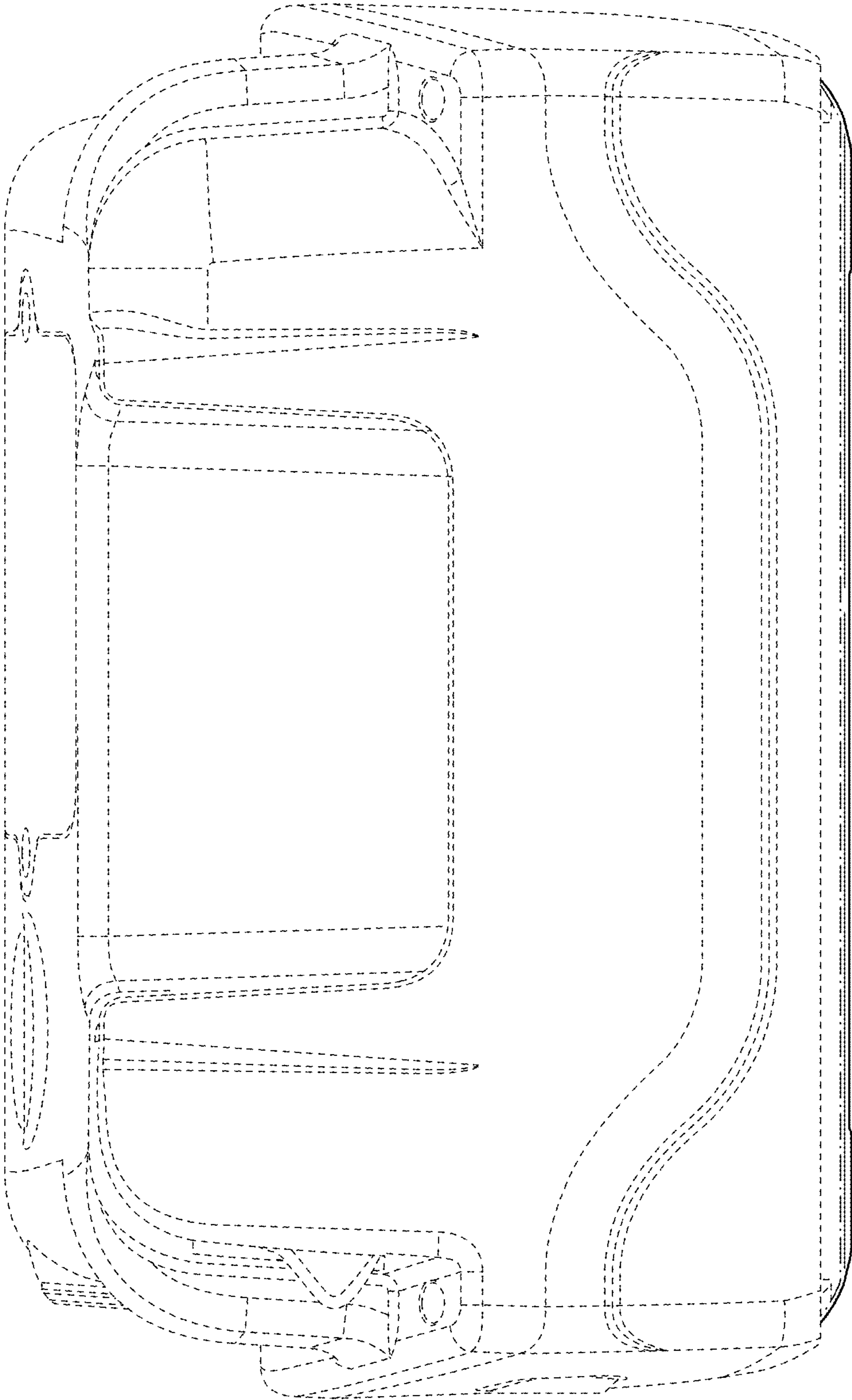


FIG. 6

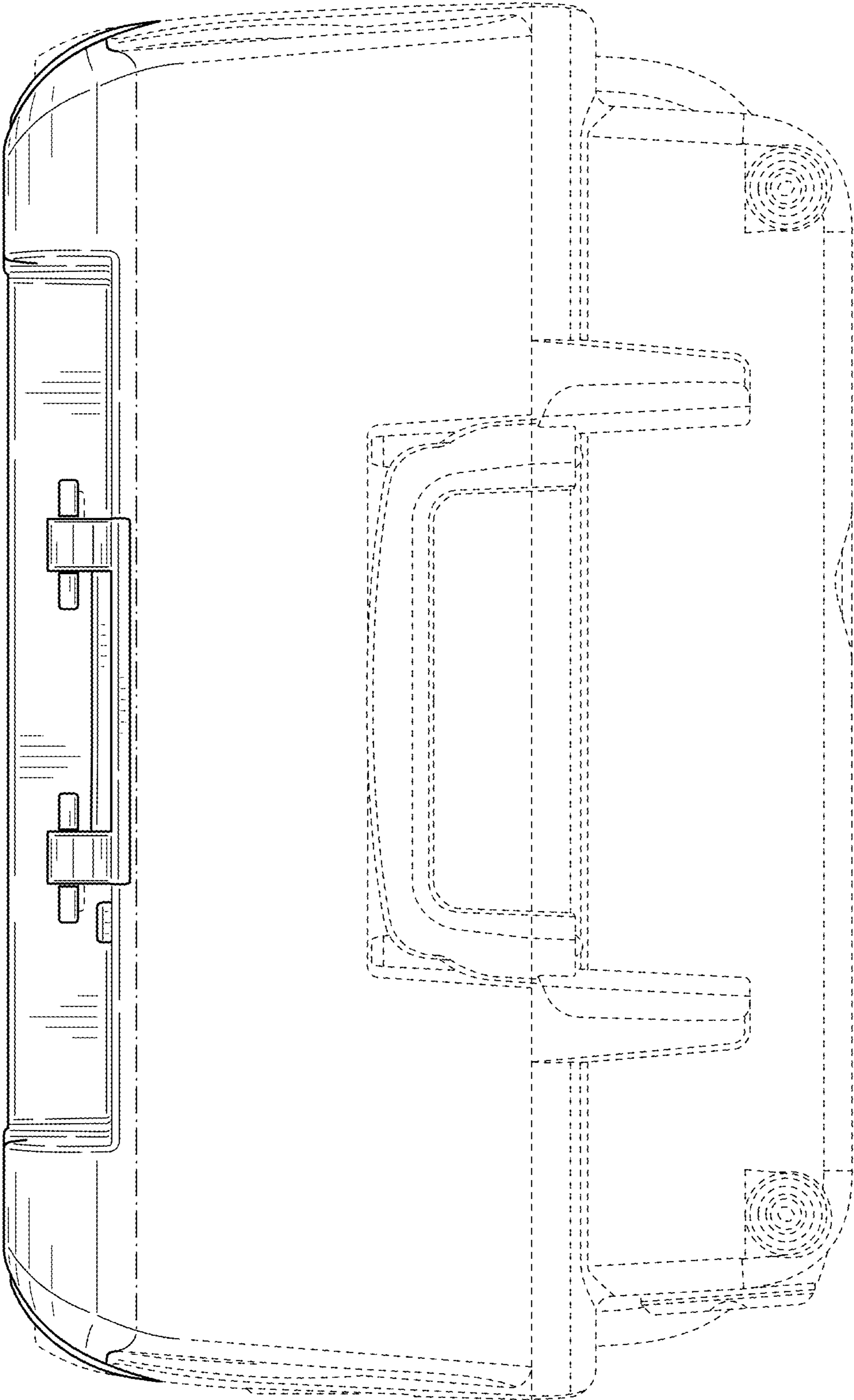


FIG. 7

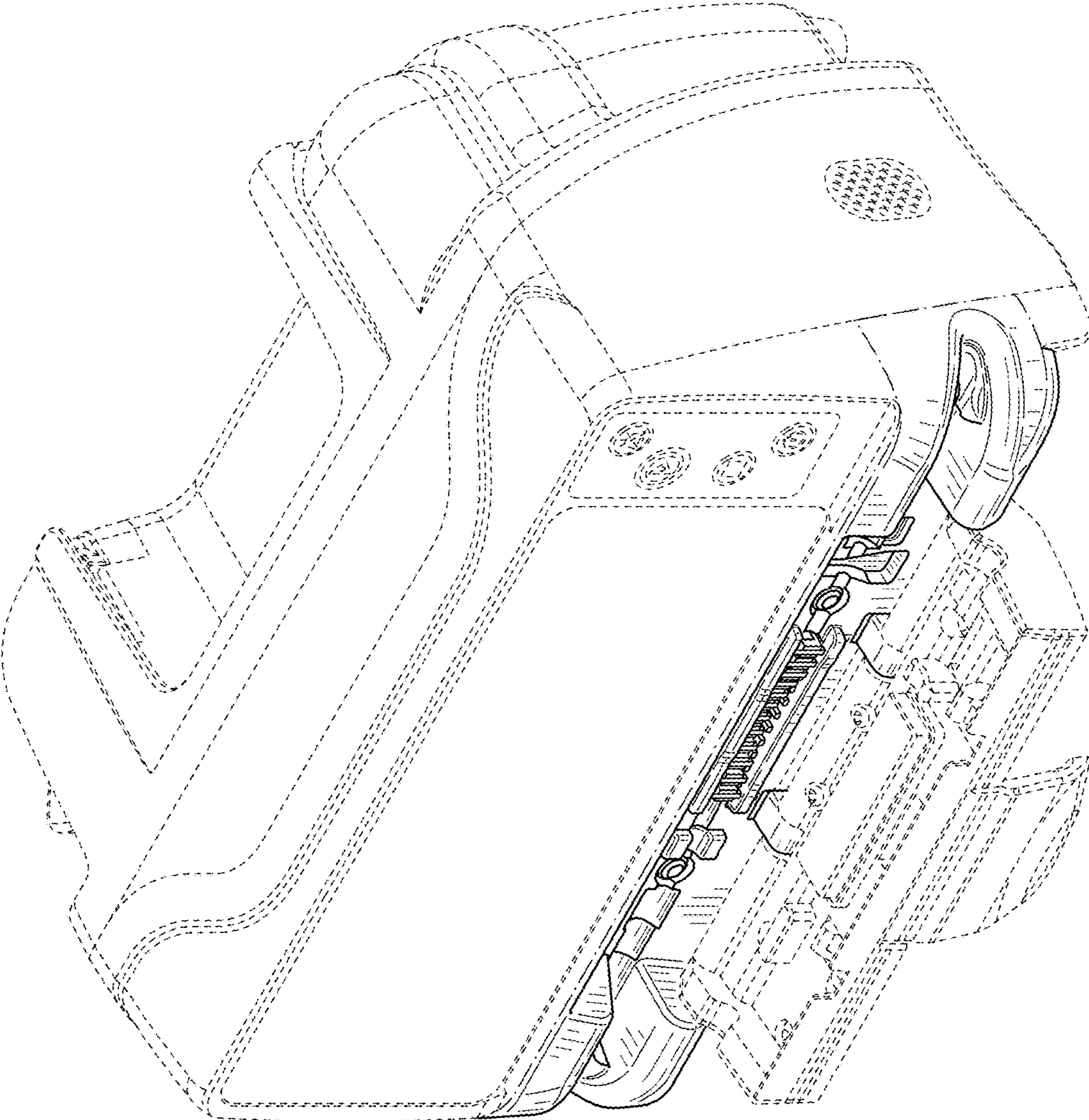


FIG. 8

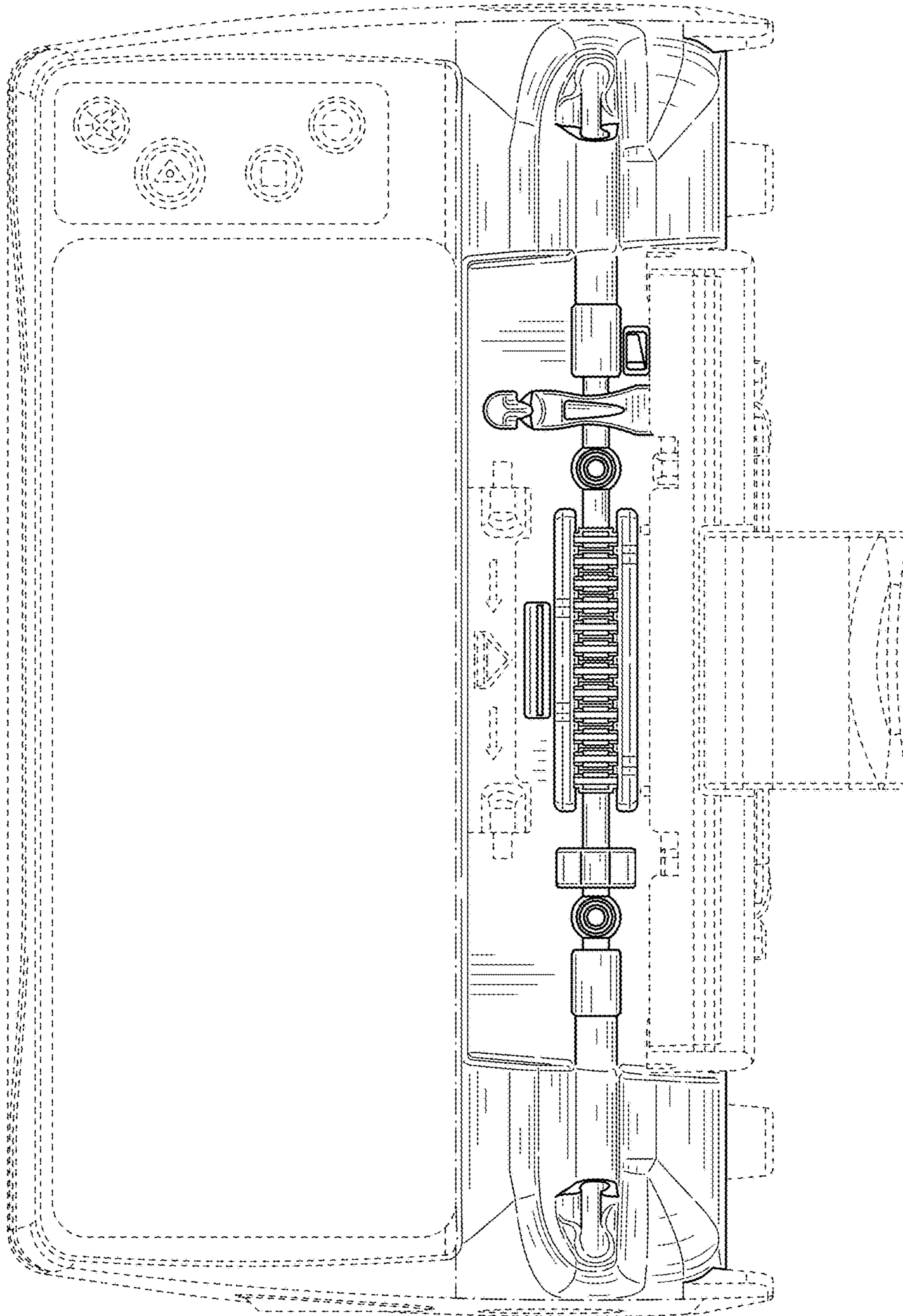


FIG. 9