



US00D830542S

(12) **United States Design Patent**
Walker et al.

(10) **Patent No.: US D830,542 S**
(45) **Date of Patent: ** *Oct. 9, 2018**

(54) **ORAL AND TOPICAL SYRINGE**

(71) Applicant: **Simcro Limited**, Hamilton (NZ)

(72) Inventors: **Rodney Gordon Walker**, Hamilton (NZ); **David Andrew Trow**, Hamilton (NZ)

(73) Assignee: **SIMCRO LIMITED**, Hamilton (NZ)

(*) Notice: This patent is subject to a terminal disclaimer.

(**) Term: **15 Years**

(21) Appl. No.: **29/592,815**

(22) Filed: **Feb. 2, 2017**

(51) **LOC (11) Cl.** **24-02**

(52) **U.S. Cl.**
USPC **D24/114**

(58) **Field of Classification Search**
USPC D24/112-114, 108, 133, 130, 127, 186;
606/181, 185; 604/264, 272, 187, 181,
604/184, 227
CPC A61M 5/178; A61M 3/00; A61M 5/20;
A61M 5/31; A61M 5/3146; A61M
5/3129; A61M 5/3148; A61M 5/315
See application file for complete search history.

(56) **References Cited**

U.S. PATENT DOCUMENTS

D419,236 S * 1/2000 Carlson D24/112
6,613,024 B1 * 9/2003 Gargione A61M 5/315
604/218

(Continued)

Primary Examiner — David G Muller

(74) *Attorney, Agent, or Firm* — Lowe Graham Jones
PLLC

(57) **CLAIM**

We claim the ornamental design for the oral and topical syringe, as shown and described.

DESCRIPTION

FIGS. 1-7 illustrate an oral and topical syringe, showing our new design;

FIG. 1 is a top isometric view of an oral and topical syringe; FIG. 2 is bottom isometric view thereof;

FIG. 3 is a left side view thereof, the right side view being a mirror image;

FIG. 4 is a front view thereof, the rear view being a mirror image;

FIG. 5 is a top view thereof;

FIG. 6 is a bottom view thereof;

FIG. 7 is a cross-sectional view thereof, taken along a vertical plane;

FIG. 8 is an exploded view thereof;

FIG. 9 is a bottom isometric bottom view thereof in which the plunger is in an extended state;

FIGS. 10-14 illustrate the barrel, with the plunger removed and not shown;

FIG. 10 is a bottom isometric view of the barrel, with the plunger removed and not shown;

FIG. 11 is a bottom view thereof;

FIG. 12 is a top view thereof;

FIG. 13 is a front view thereof, the rear view being a mirror image;

FIG. 14 is a left side view thereof, the right side view being a mirror image;

FIGS. 15-19 illustrate the plunger, removed from the barrel and in which the barrel is not shown;

FIG. 15 is a bottom isometric view of the plunger, removed from the barrel and in which the barrel is not shown;

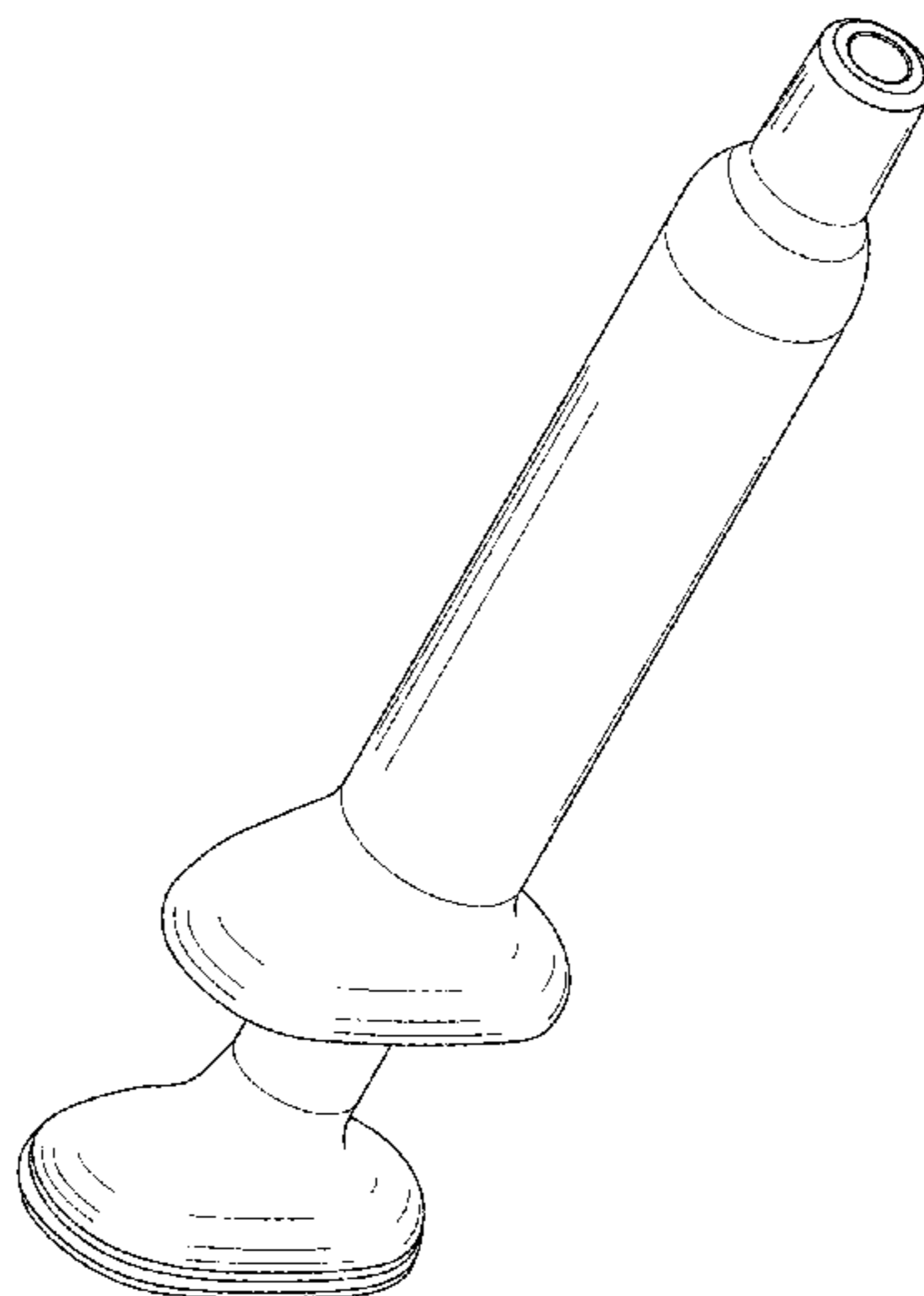
FIG. 16 is a left side view thereof, the right side view being a mirror image;

FIG. 17 is a front view thereof, the rear view being a mirror image;

FIG. 18 is a top view thereof; and,

FIG. 19 is a bottom view thereof.

1 Claim, 16 Drawing Sheets



(56)

References Cited

U.S. PATENT DOCUMENTS

7,591,805	B2 *	9/2009	Lampropoulos	A61M 5/14 604/187
D667,111	S *	9/2012	Robinson	D24/133
D673,670	S *	1/2013	Linnenschmidt	D24/112
D674,084	S *	1/2013	Linnenschmidt	D24/112
D681,808	S *	5/2013	Holaschke	D24/114
D692,308	S *	10/2013	Baker	D24/114
D698,918	S *	2/2014	Leiner	D24/114
D699,342	S *	2/2014	Suzuki	D24/114
D730,515	S *	5/2015	Shahidi Bonjar	D24/114
D733,870	S *	7/2015	Broyles	D24/114
D775,325	S *	12/2016	Larson	D24/114

* cited by examiner

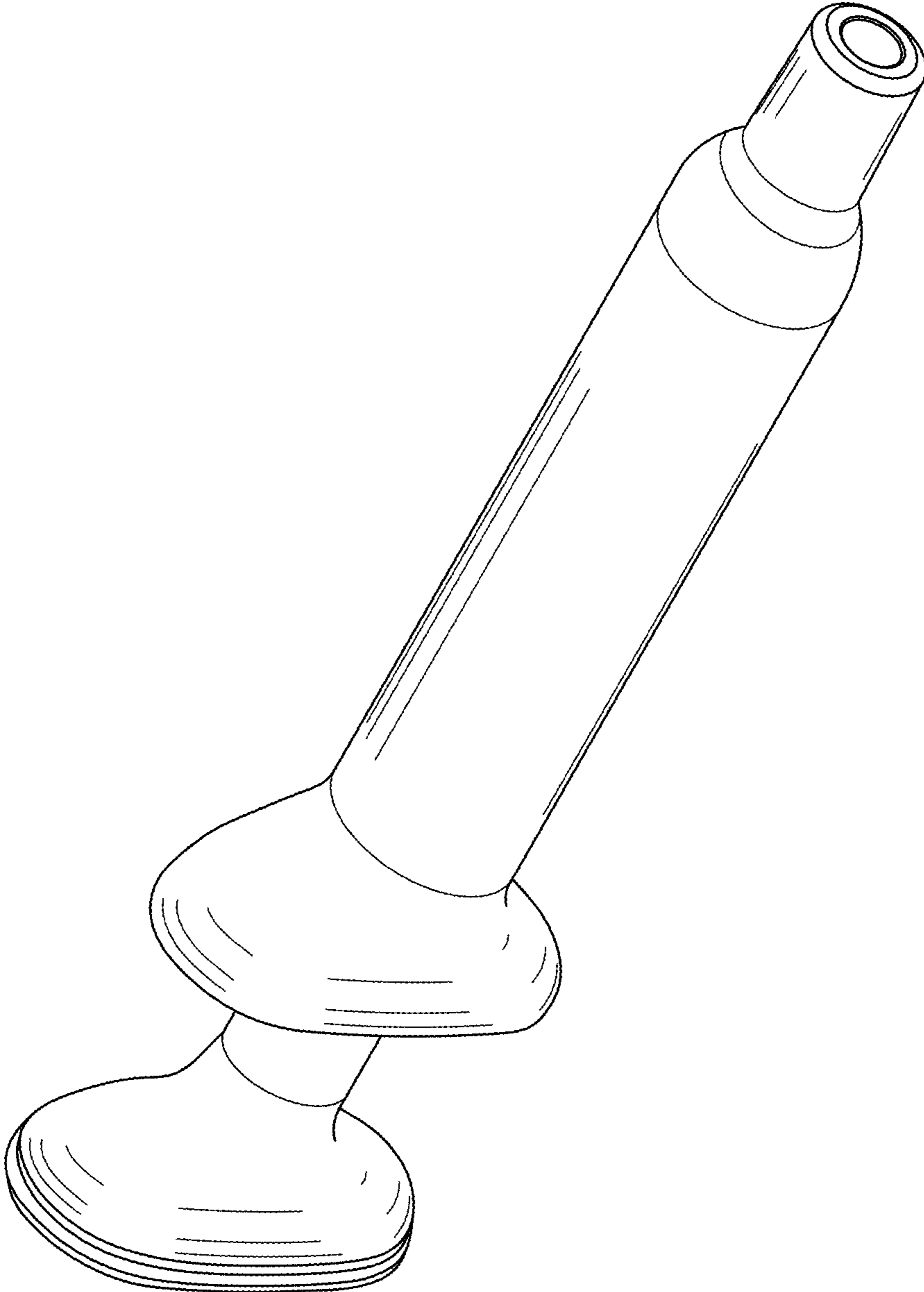


FIG. 1

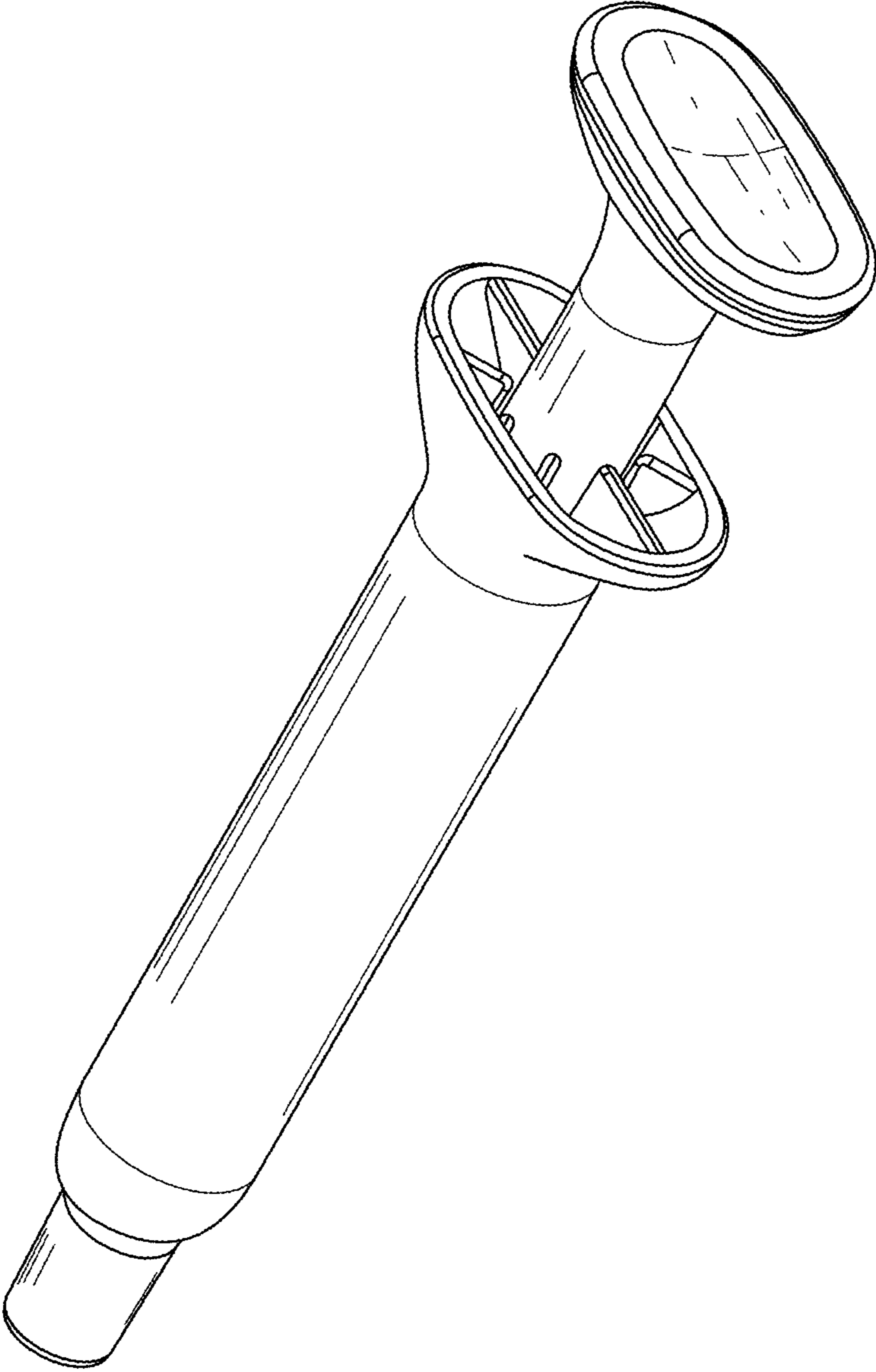


FIG. 2

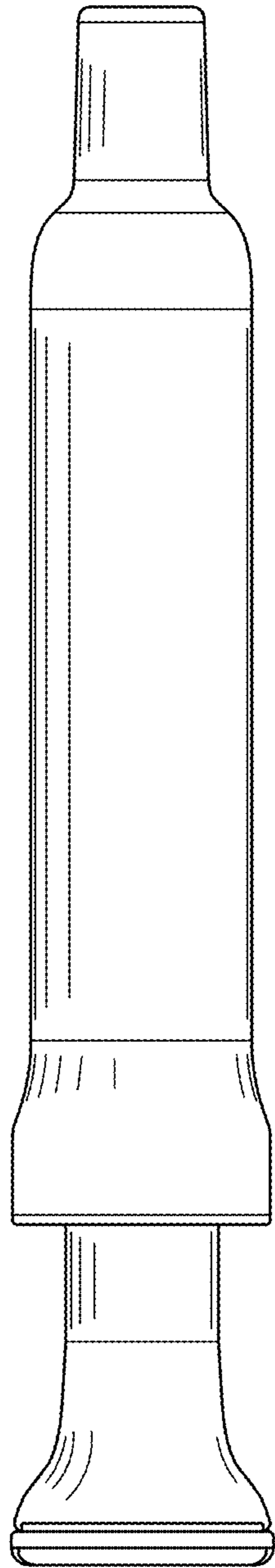


FIG. 3

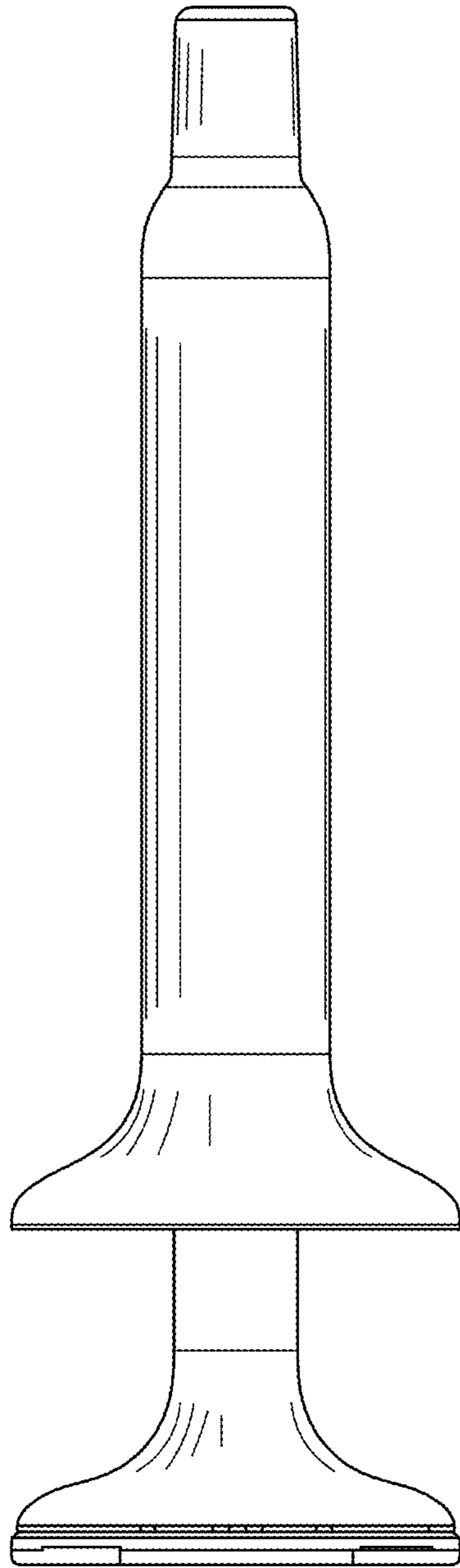


FIG. 4

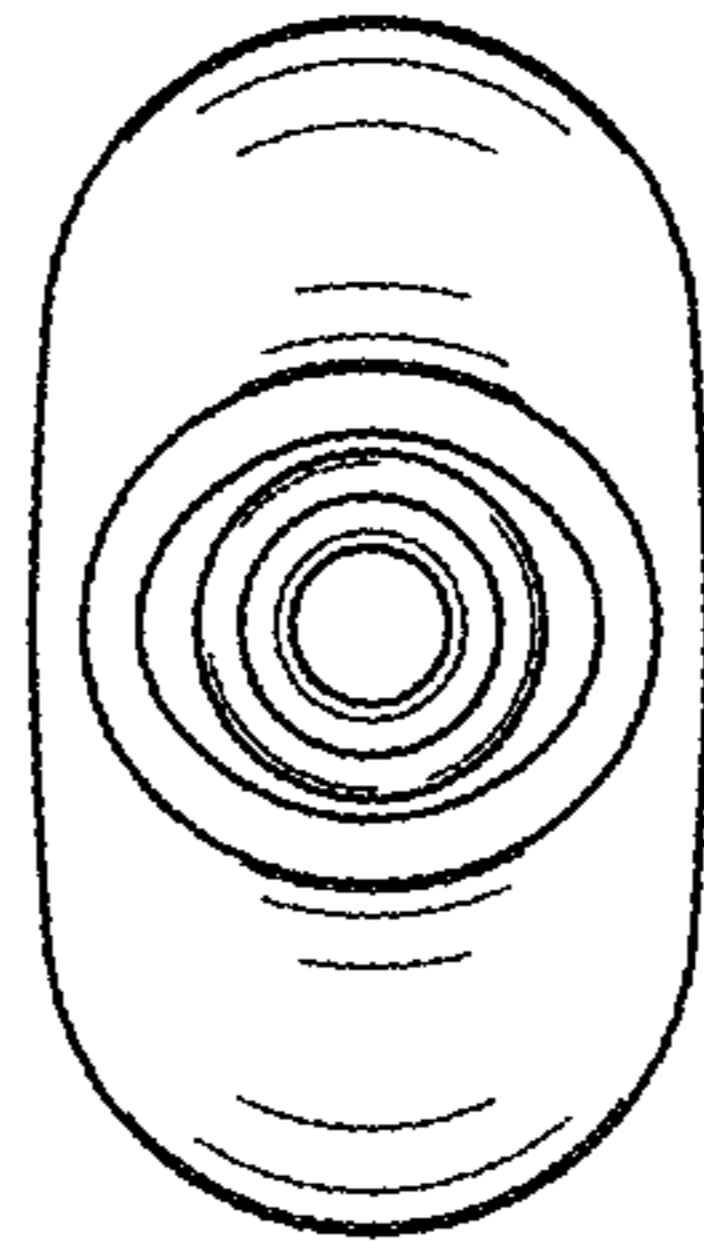


FIG. 5

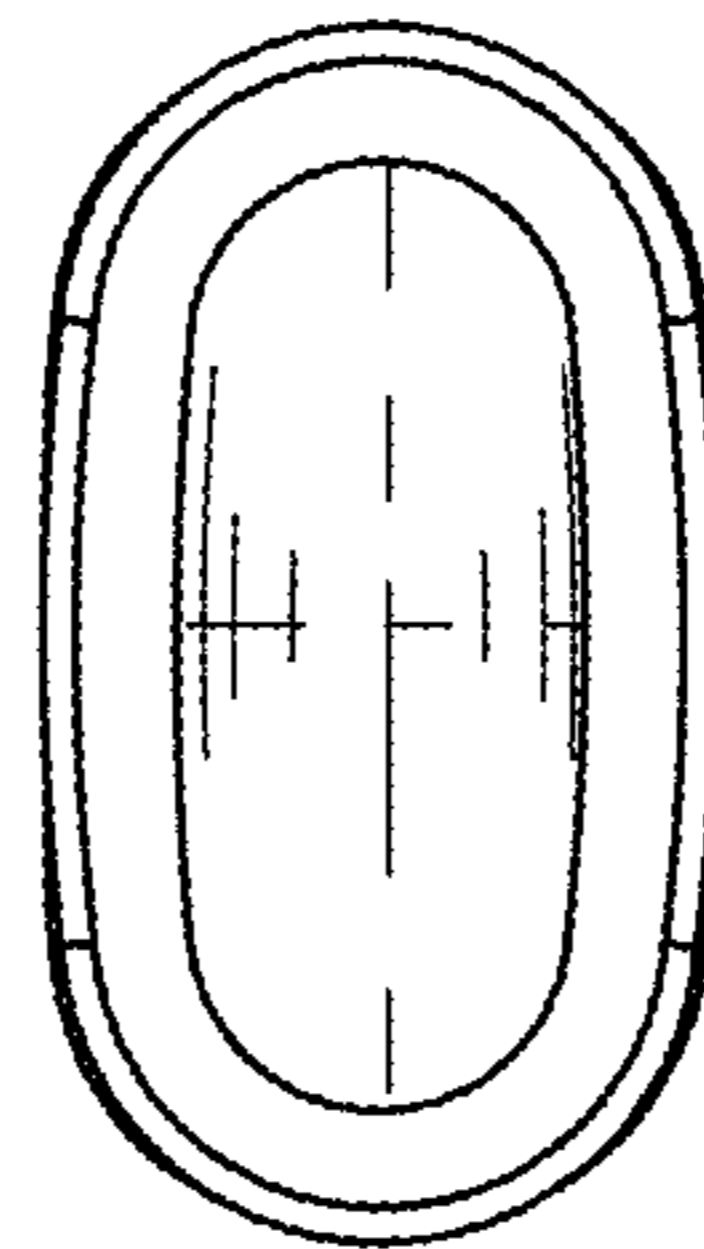


FIG. 6

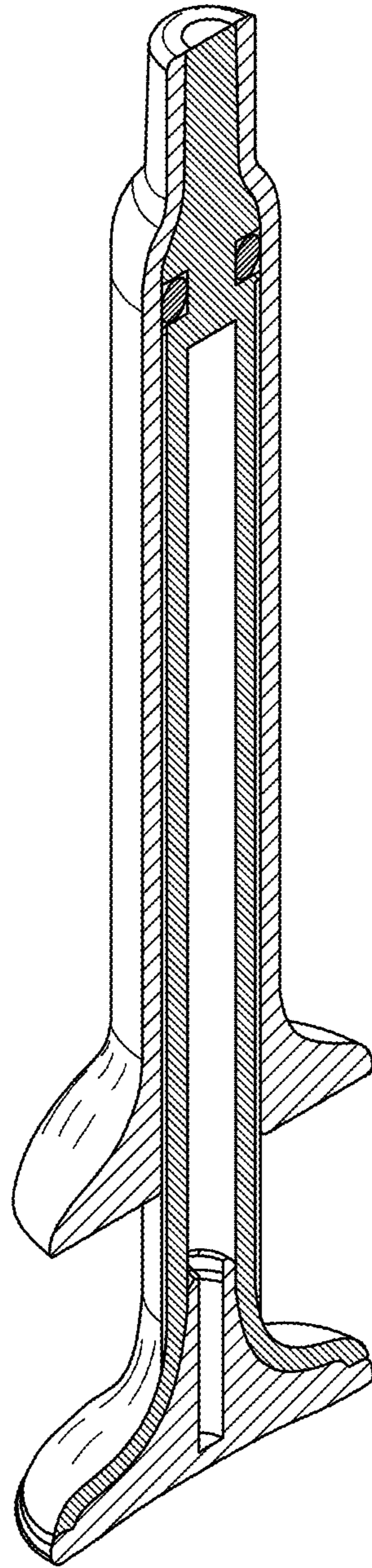


FIG. 7

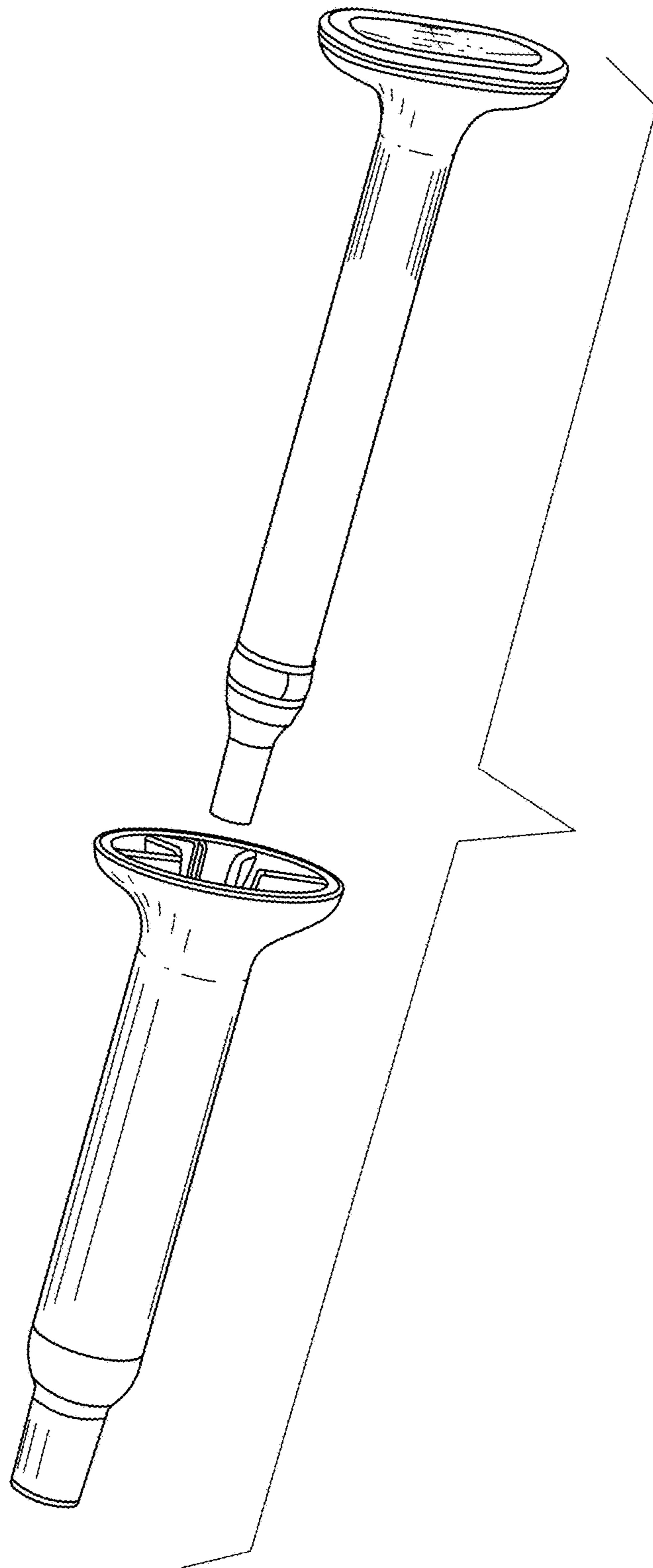


FIG. 8

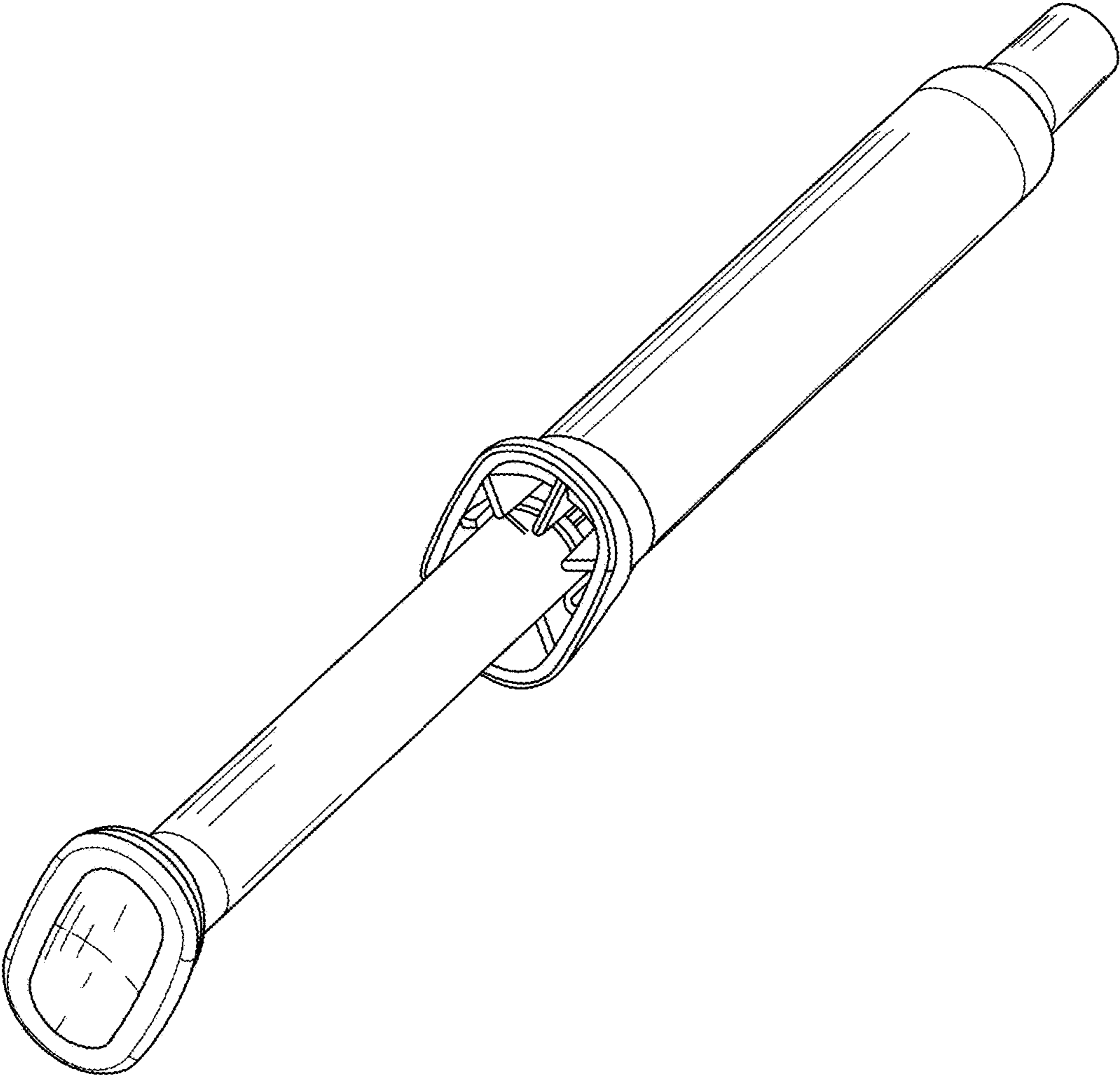


FIG. 9

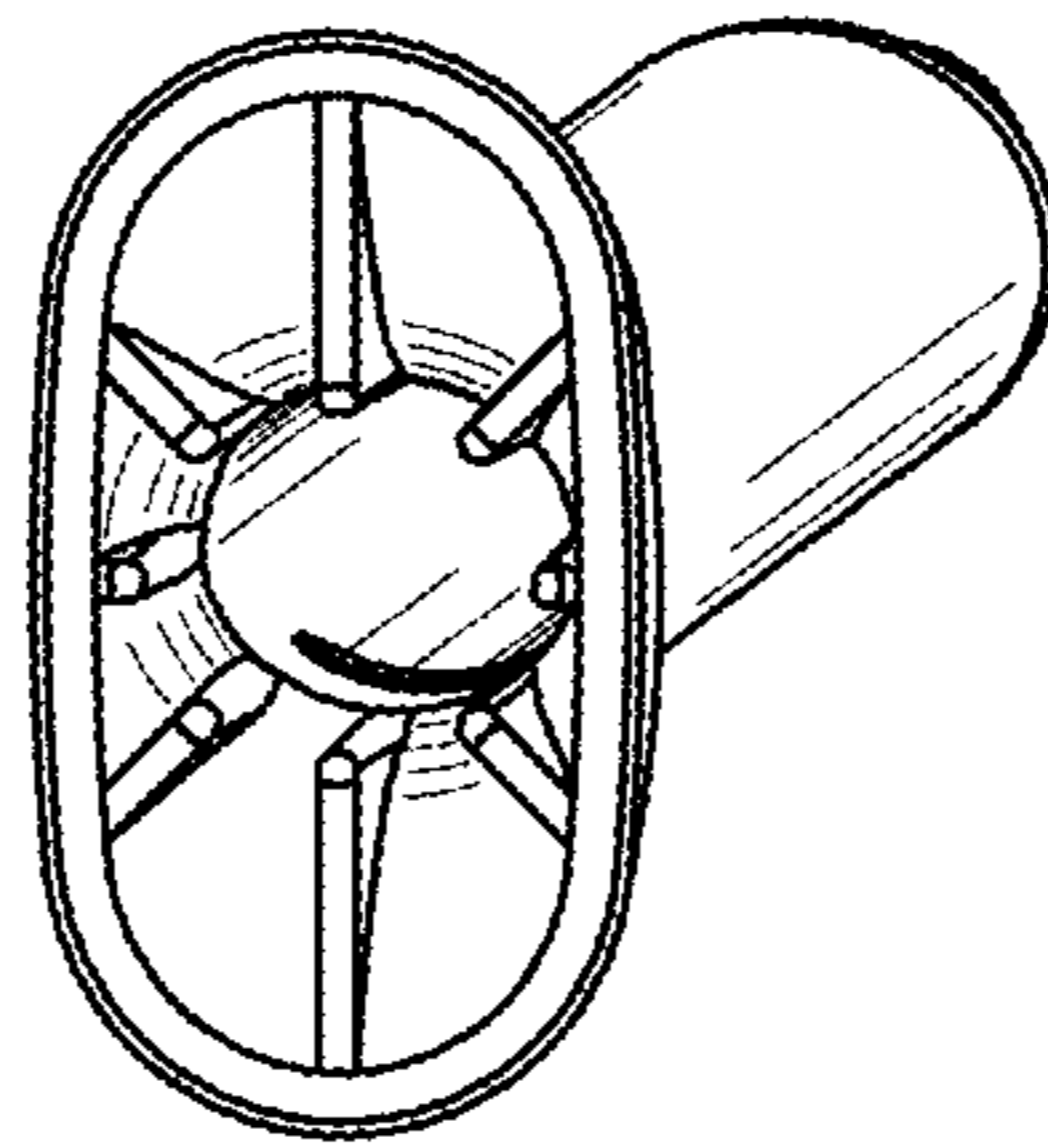


FIG. 10

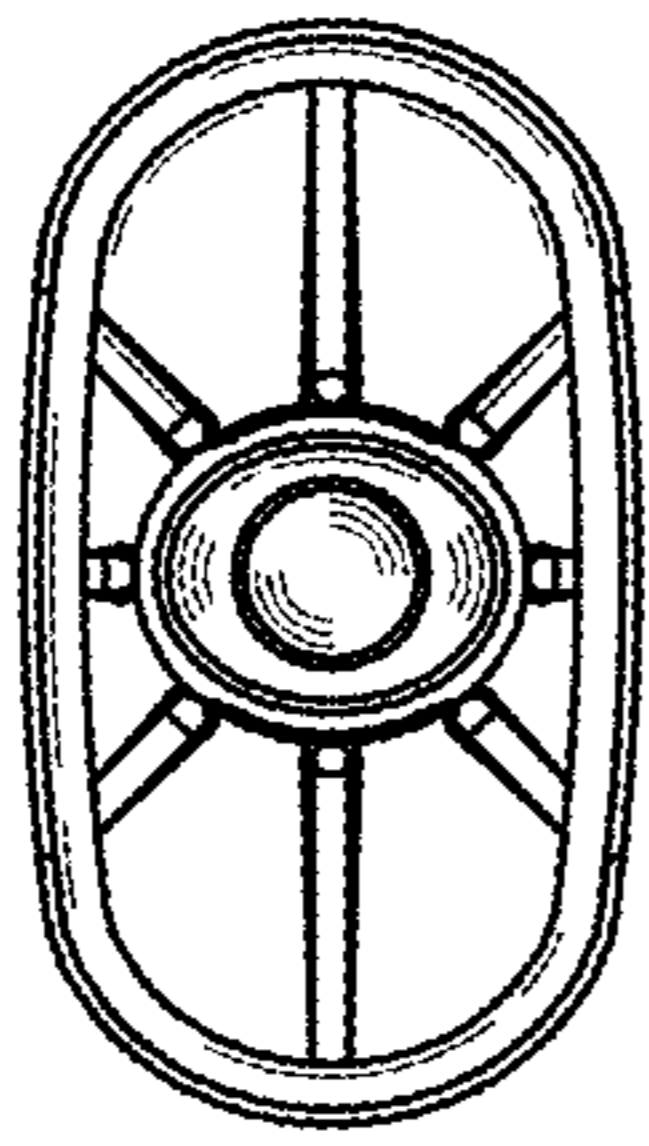


FIG. 11

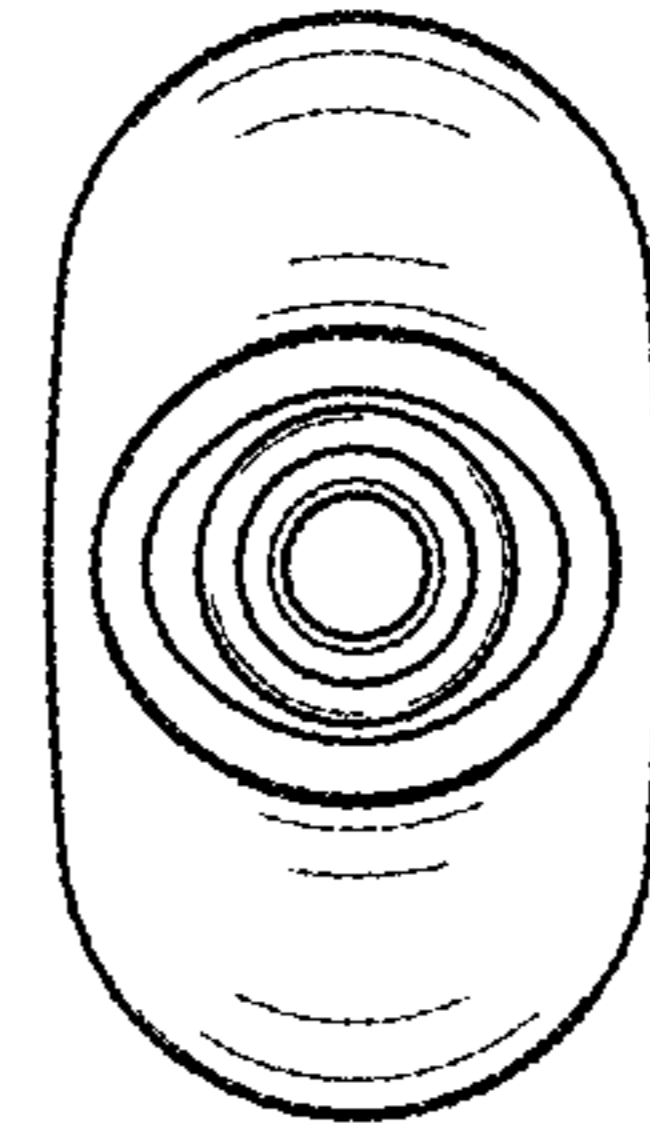


FIG. 12

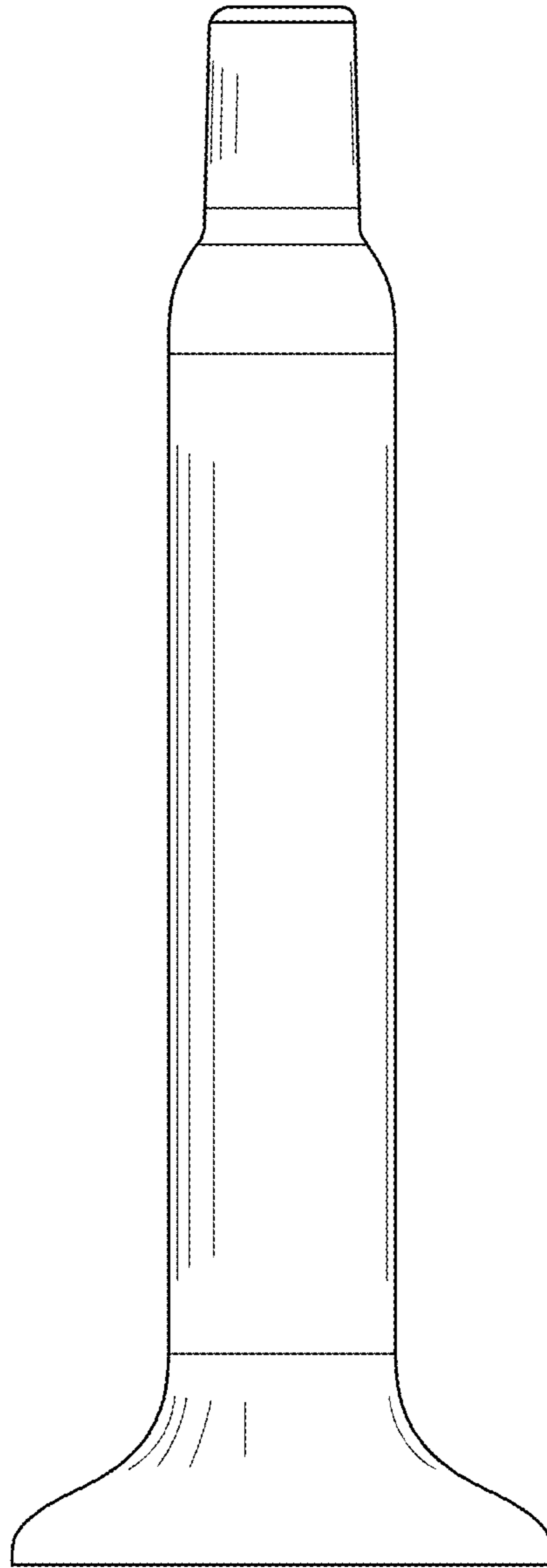


FIG. 13

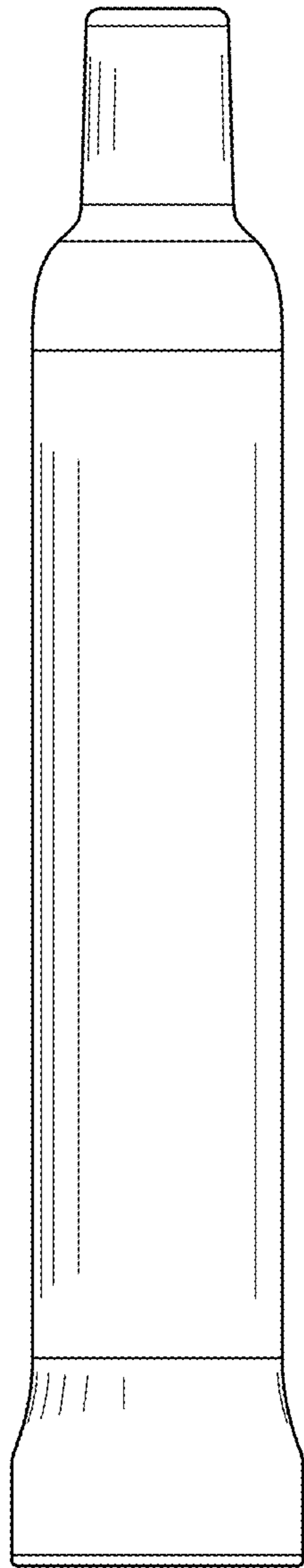


FIG. 14

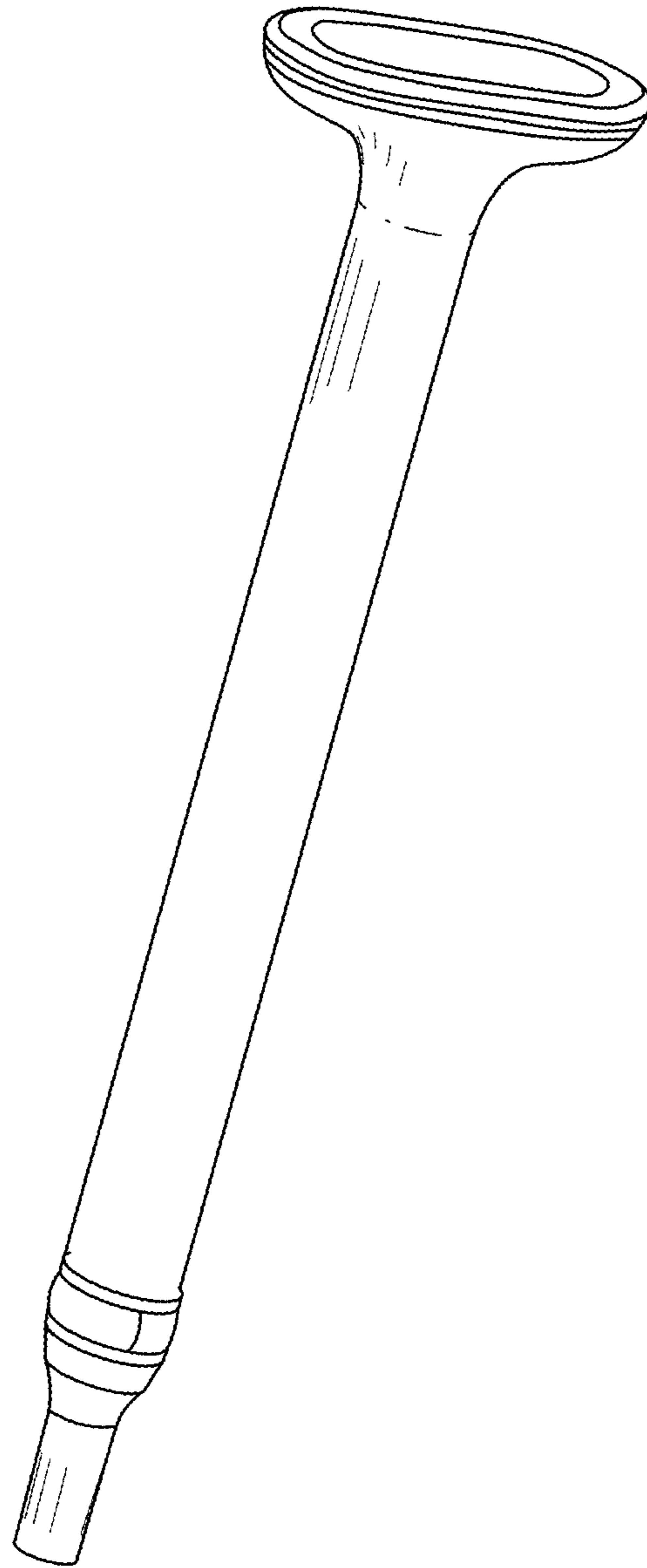


FIG. 15

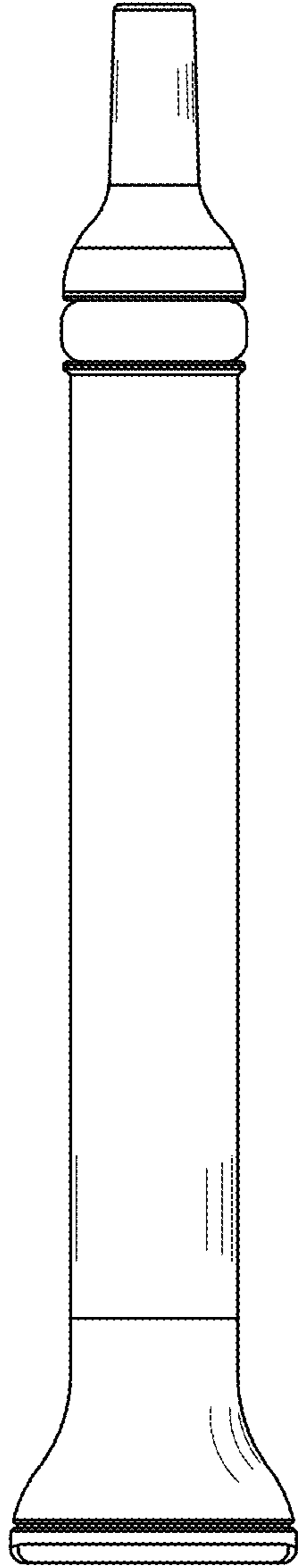


FIG. 16

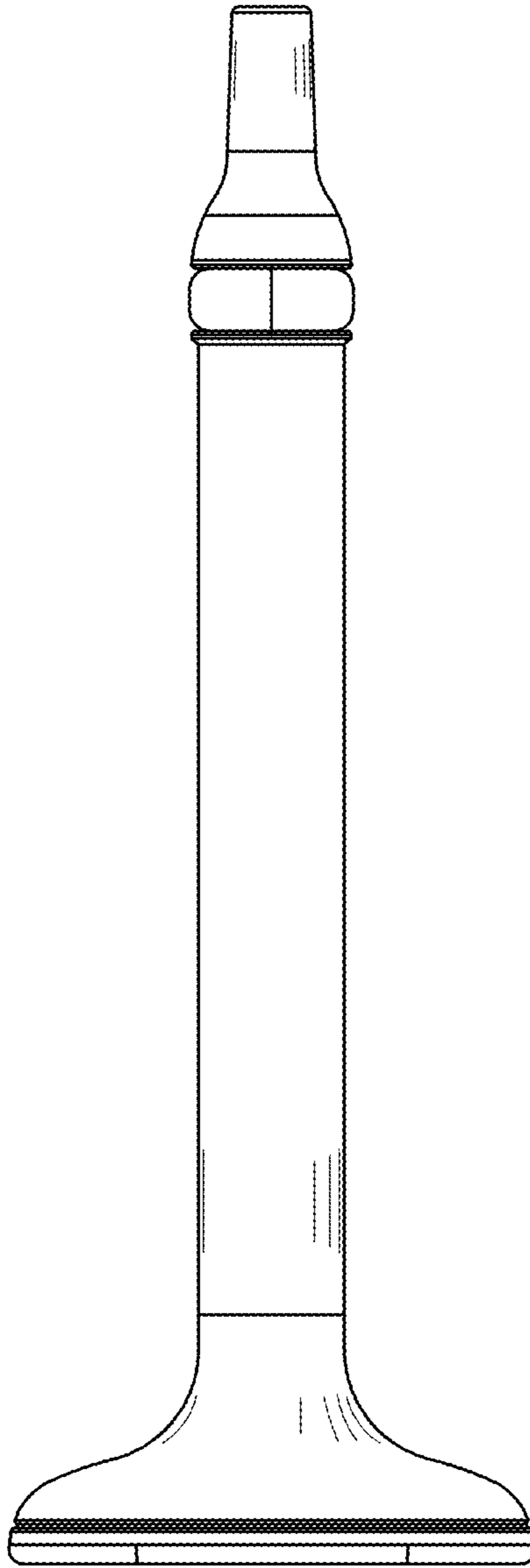


FIG. 17

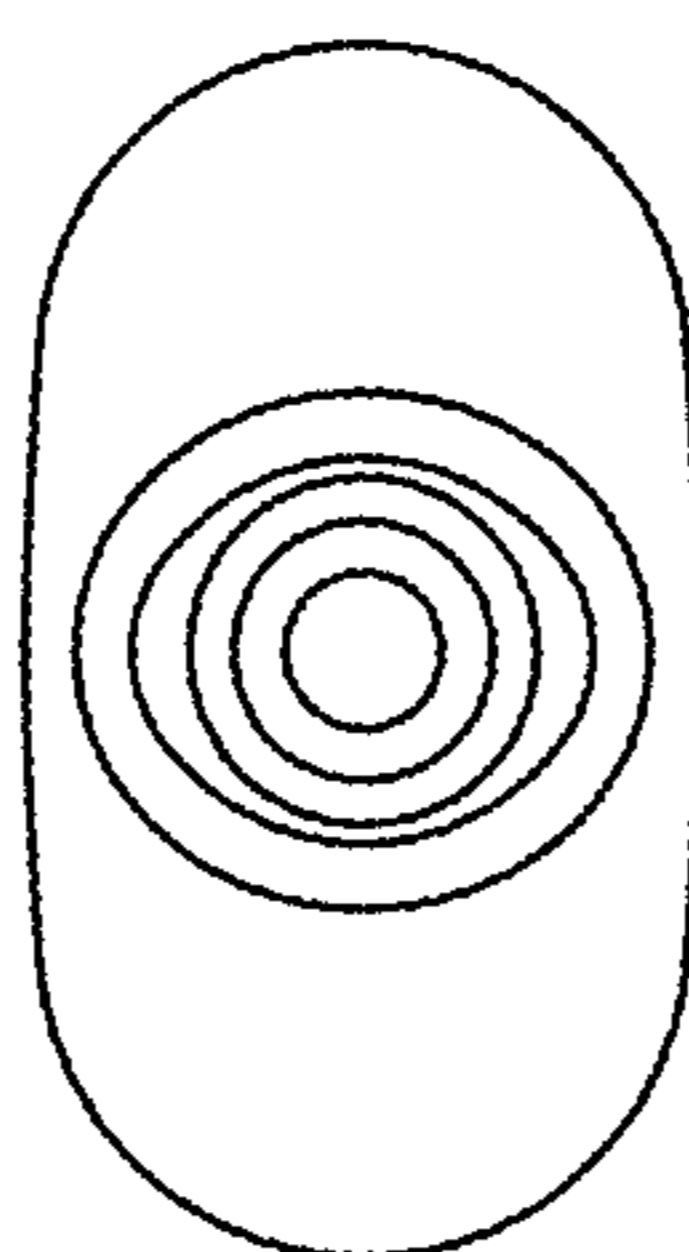


FIG. 18

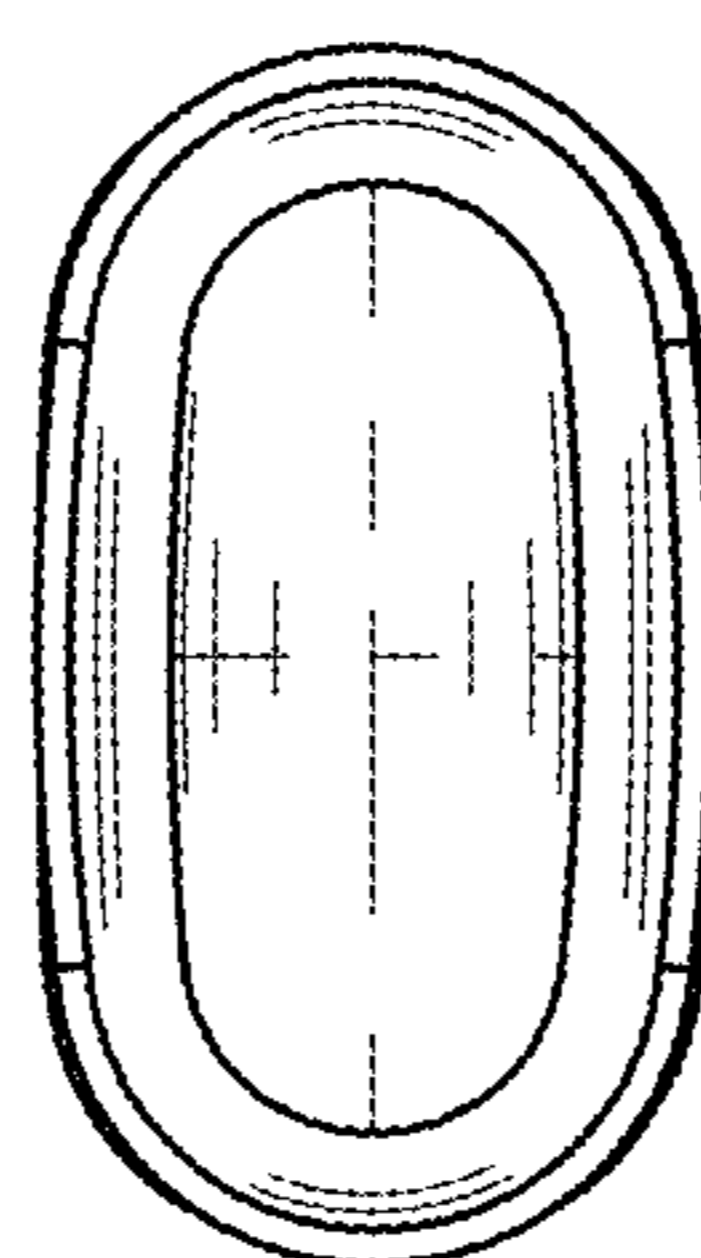


FIG. 19