



US00D830541S

(12) **United States Design Patent** (10) **Patent No.:** **US D830,541 S**
Walker et al. (45) **Date of Patent:** **** Oct. 9, 2018**

(54) **ORAL AND TOPICAL SYRINGE**
(71) Applicant: **Simcro Limited**, Hamilton (NZ)
(72) Inventors: **Rodney Gordon Walker**, Hamilton (NZ); **David Andrew Trow**, Hamilton (NZ)
(73) Assignee: **SIMCRO LIMITED**, Hamilton (NZ)
(**) Term: **15 Years**
(21) Appl. No.: **29/592,805**
(22) Filed: **Feb. 2, 2017**
(51) **LOC (11) Cl.** **24-02**
(52) **U.S. Cl.**
USPC **D24/114**
(58) **Field of Classification Search**
USPC D24/112–114, 108, 133, 130, 127, 186;
606/181, 185; 604/264, 272, 187, 181,
604/184, 227
CPC A61M 5/178; A61M 3/00; A61M 5/20;
A61M 5/31; A61M 5/3146; A61M
5/3129; A61M 5/3148; A61M 5/315
See application file for complete search history.

(56) **References Cited**

U.S. PATENT DOCUMENTS

D419,236 S *	1/2000	Carlson	D24/112
6,613,024 B1 *	9/2003	Gargione	A61M 5/315 604/218
7,591,805 B2 *	9/2009	Lampropoulos	A61M 5/14 604/187
D667,111 S *	9/2012	Robinson	D24/133
D673,670 S *	1/2013	Linnenschmidt	D24/112
D674,084 S *	1/2013	Linnenschmidt	D24/112
D681,808 S *	5/2013	Holaschke	D24/114
D692,308 S *	10/2013	Baker	D24/114
D698,918 S *	2/2014	Leiner	D24/114

(Continued)

Primary Examiner — David Muller

(74) *Attorney, Agent, or Firm* — Lowe Graham Jones PLLC

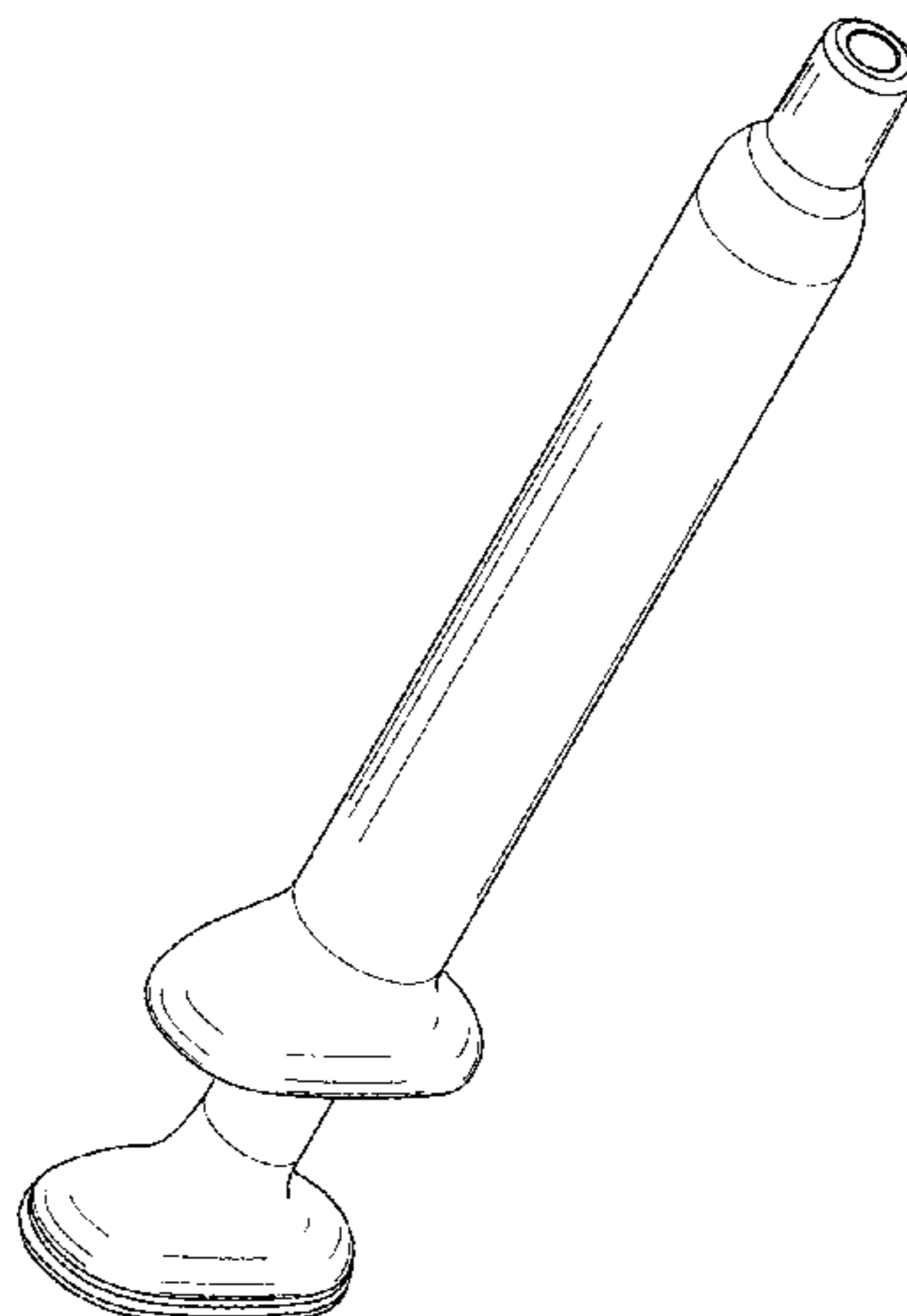
(57) **CLAIM**

We claim the ornamental design for the oral and topical syringe, as shown and described.

DESCRIPTION

FIG. 1 is a top isometric view of an oral and topical syringe, showing our new design in an assembled state;
FIG. 2 is bottom isometric view thereof;
FIG. 3 is a left side view thereof, the right side view being a mirror image;
FIG. 4 is a front view thereof, the rear view being a mirror image;
FIG. 5 is a top view thereof;
FIG. 6 is a bottom view thereof;
FIG. 7 is a cross-sectional view thereof, taken along a vertical plane;
FIG. 8 is an exploded view thereof;
FIG. 9 is a bottom isometric bottom view thereof in which the plunger is in an extended state;
FIG. 10 is a bottom isometric view of the barrel, with the plunger removed and not shown for clarity of illustration;
FIG. 11 is a bottom view thereof;
FIG. 12 is a top view thereof;
FIG. 13 is a front view thereof, the rear view being a mirror image;
FIG. 14 is a left side view thereof, the right side view being a mirror image;
FIG. 15 is a bottom isometric view of the plunger, removed from the barrel, and in which the barrel is not shown for ease of illustration;
FIG. 16 is a left side view thereof, the right side view being a mirror image;
FIG. 17 is a front view thereof, the rear view being a mirror image;
FIG. 18 is a top view thereof; and,
FIG. 19 is a bottom view thereof.

1 Claim, 16 Drawing Sheets



(56)

References Cited

U.S. PATENT DOCUMENTS

D699,342 S	*	2/2014	Suzuki	D24/114
D730,515 S	*	5/2015	Shahidi Bonjar	D24/114
D733,870 S	*	7/2015	Broyles	D24/114
D775,325 S	*	12/2016	Larson	D24/114

* cited by examiner

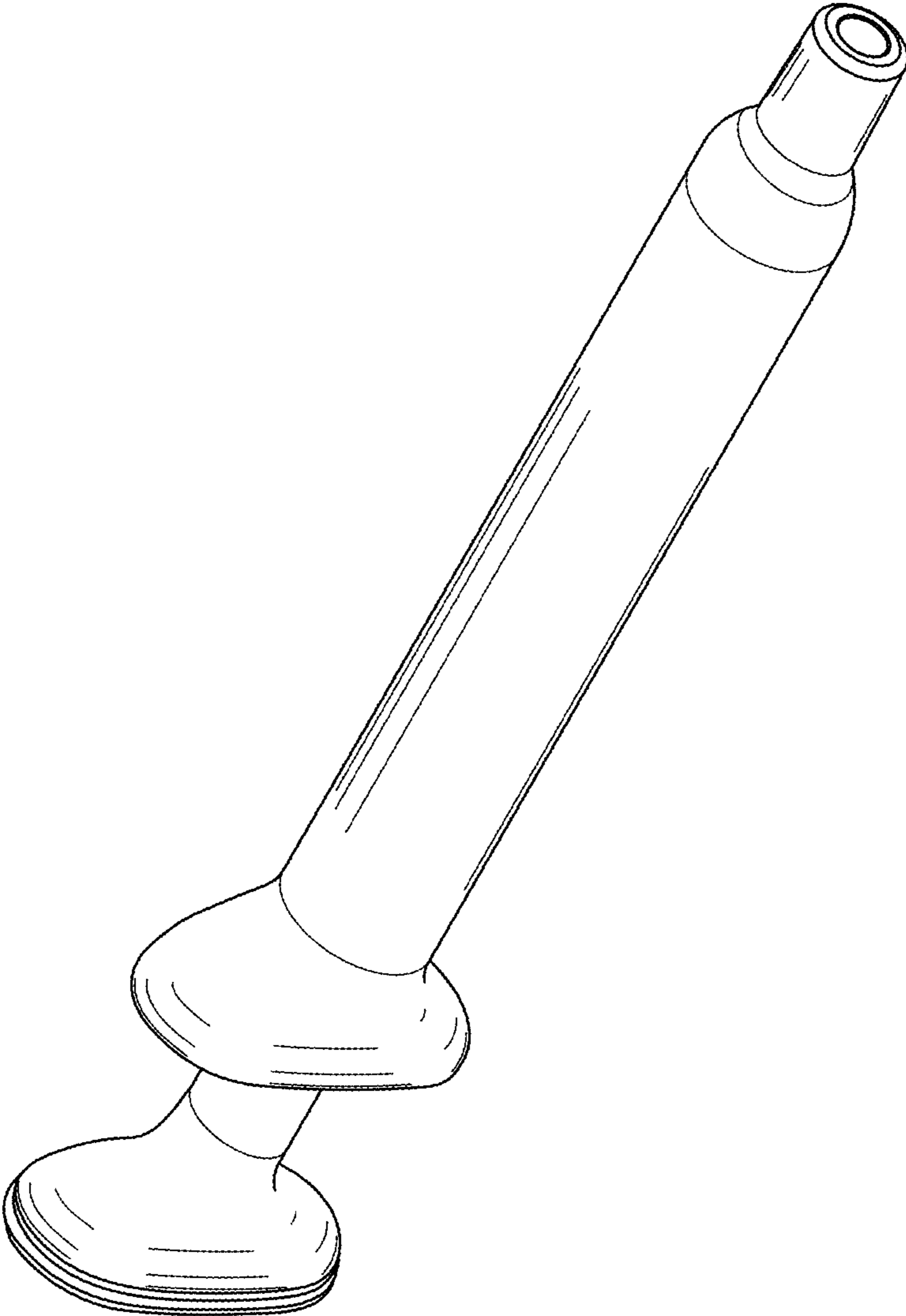


FIG. 1

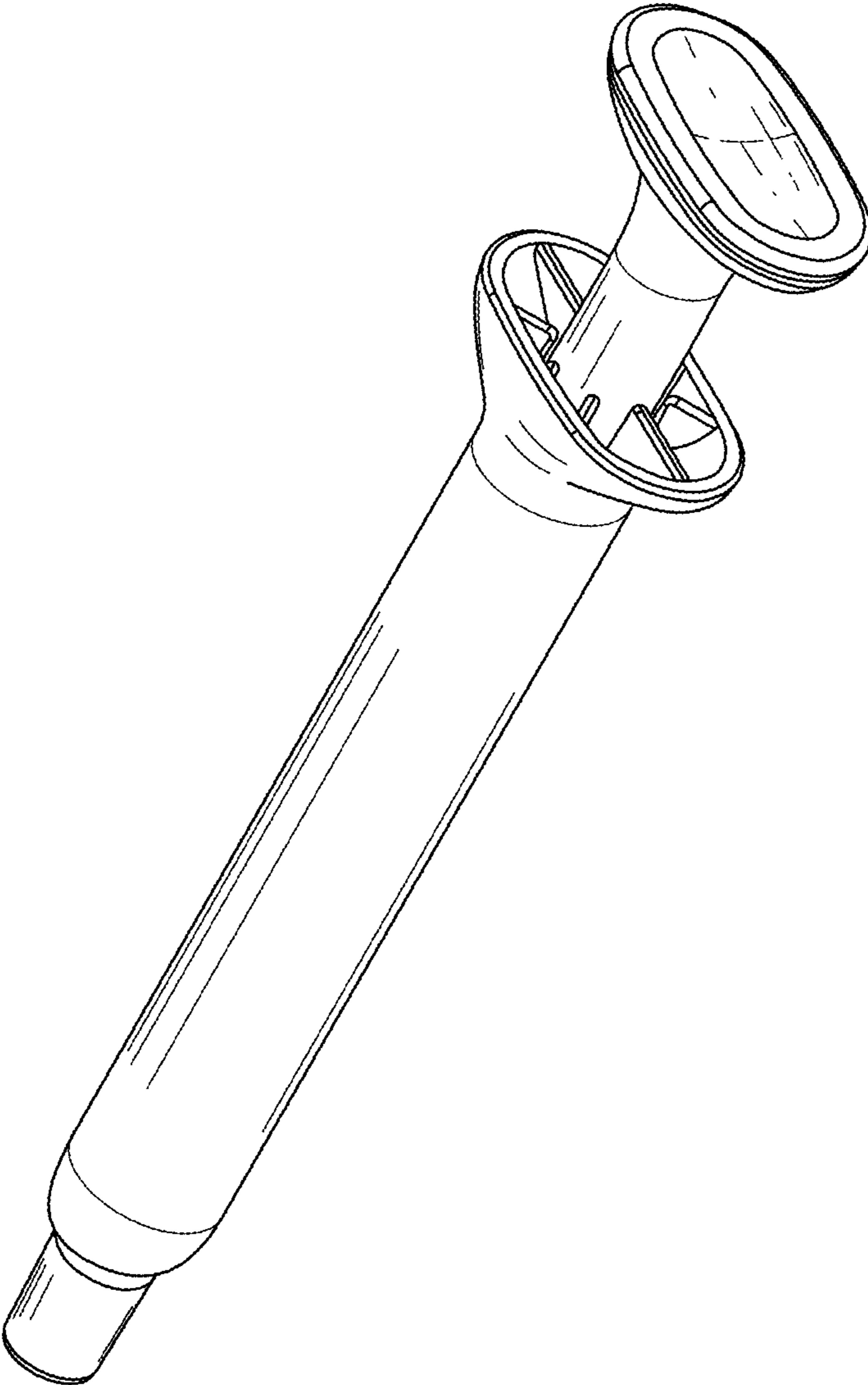


FIG. 2

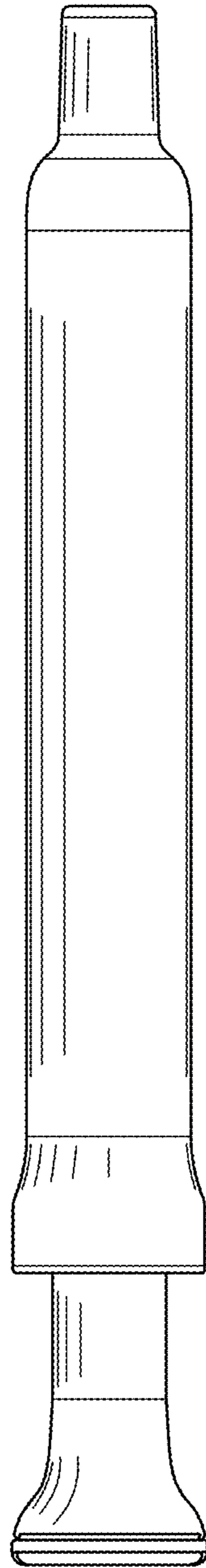


FIG. 3

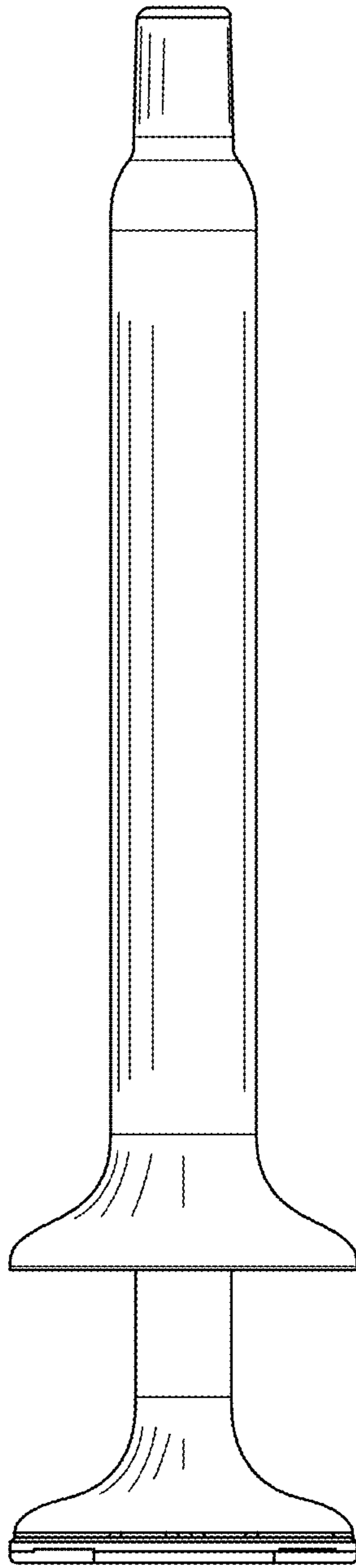


FIG. 4

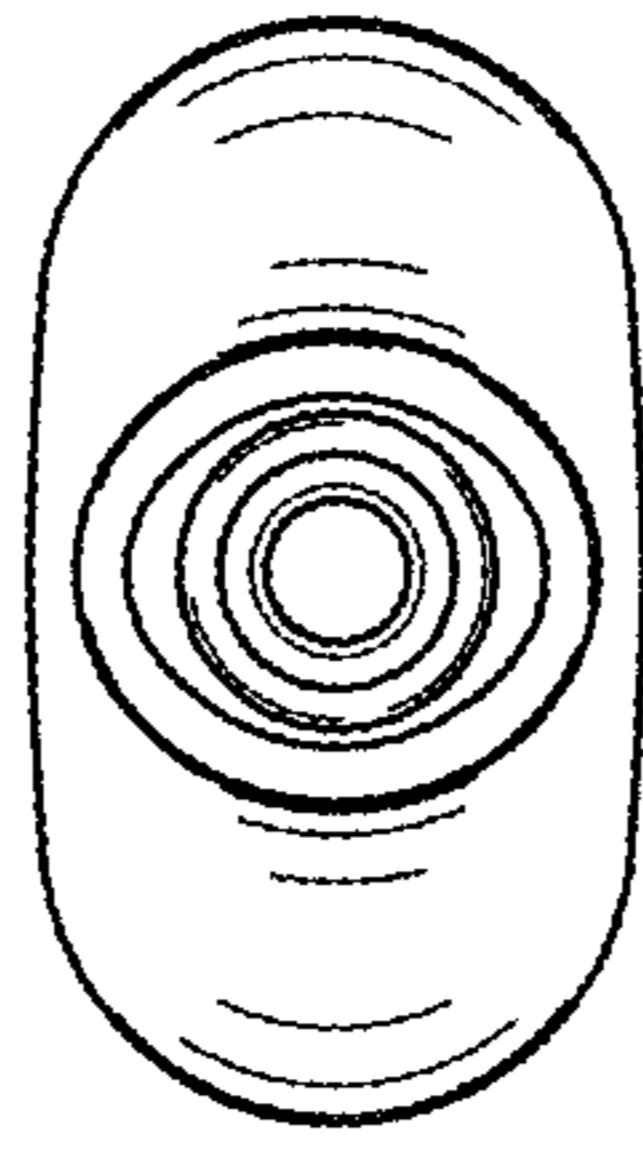


FIG. 5

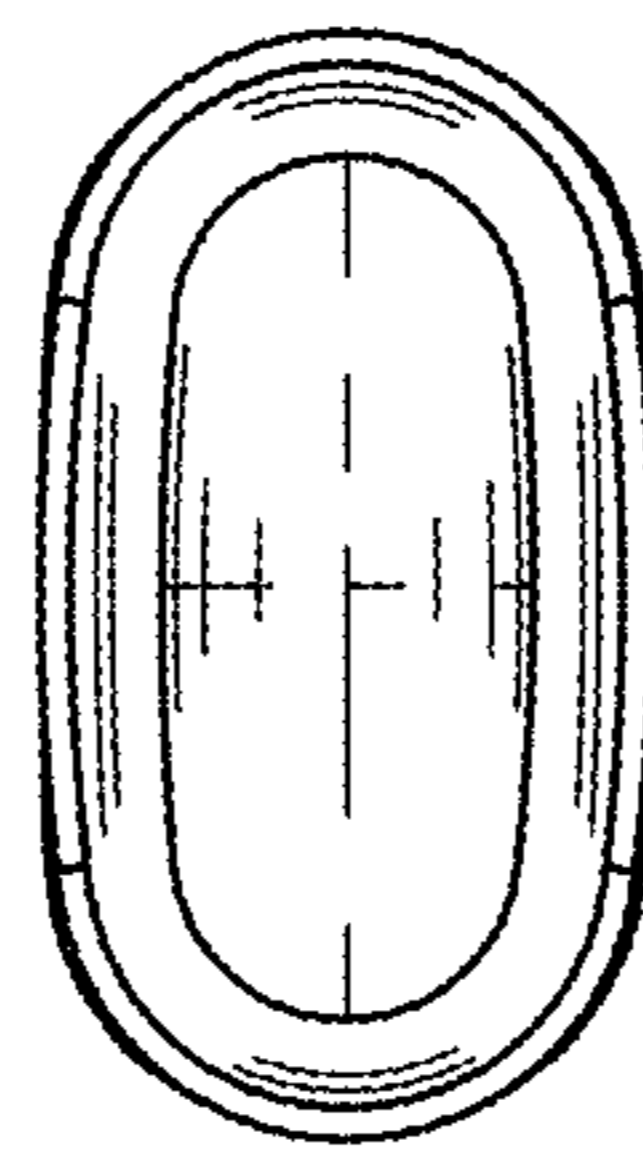


FIG. 6

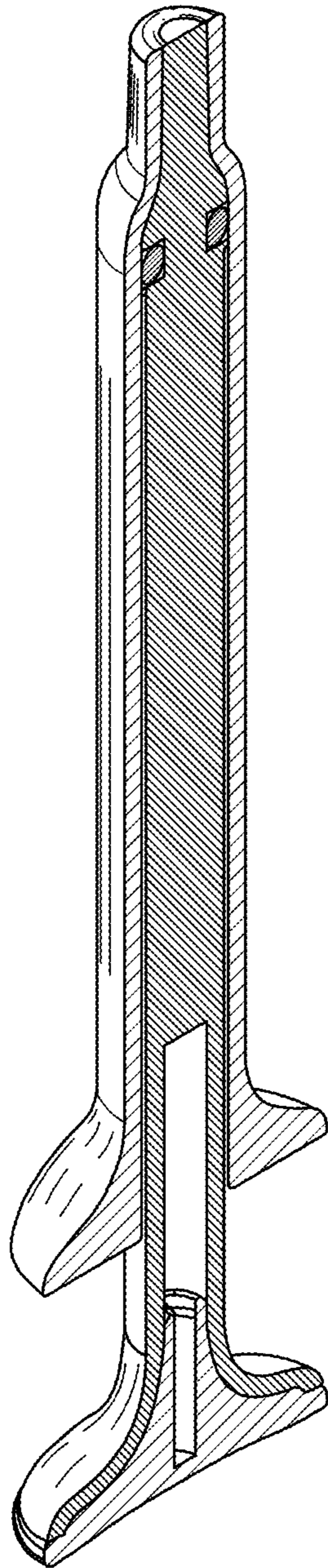


FIG. 7

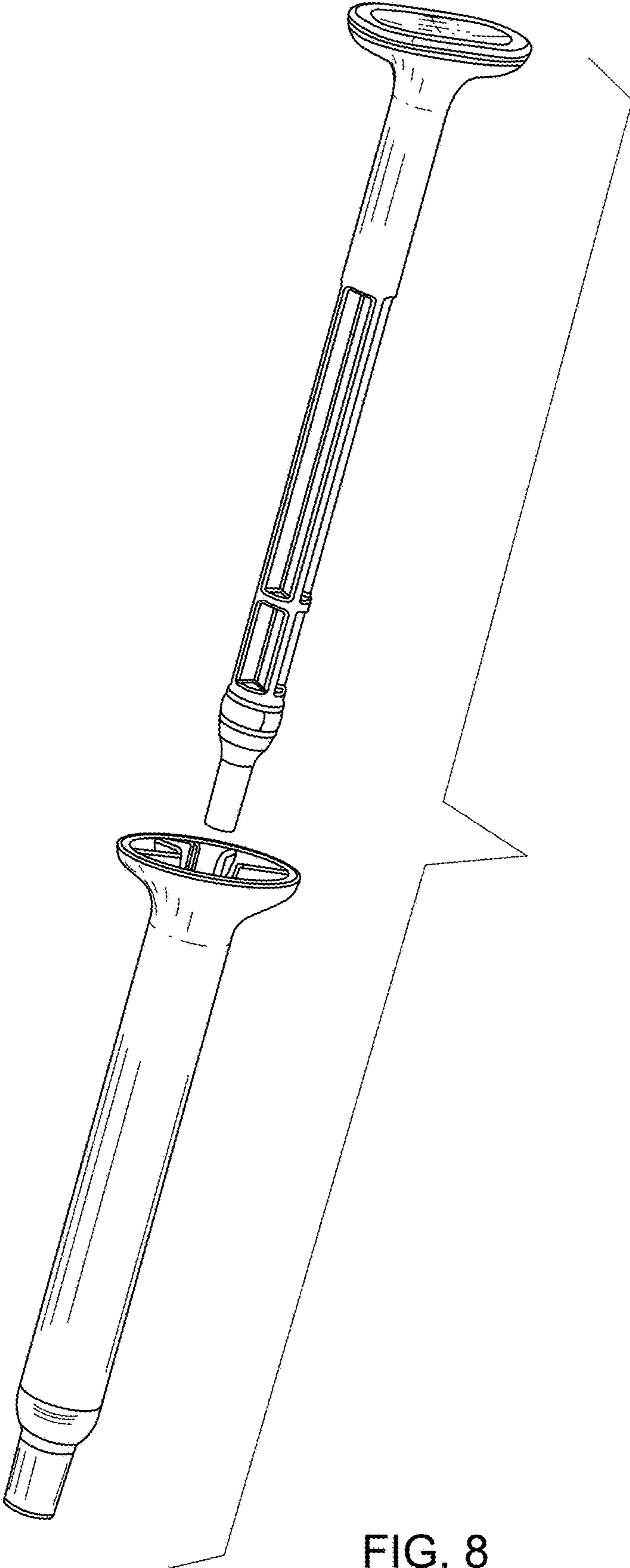


FIG. 8

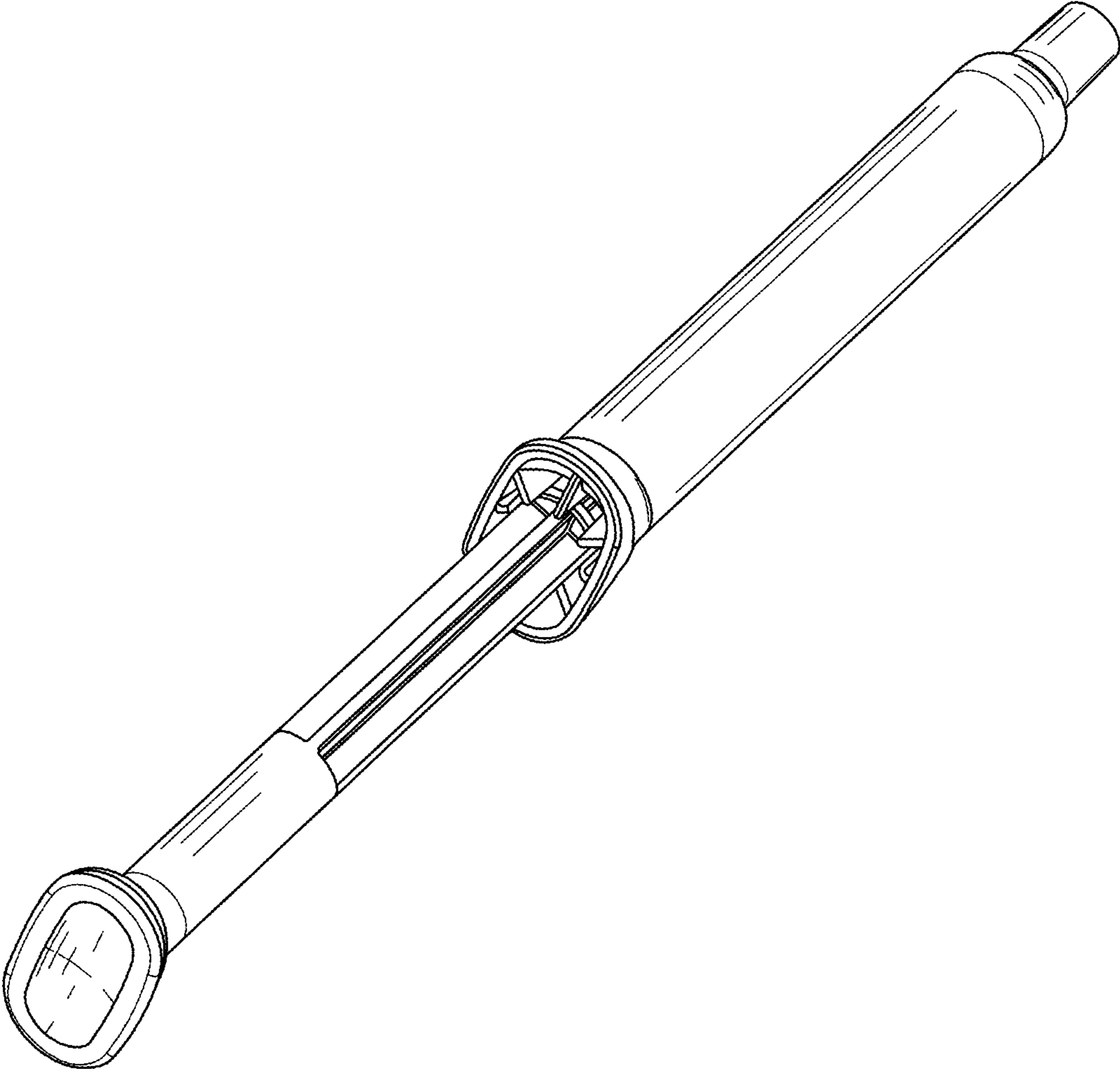


FIG. 9

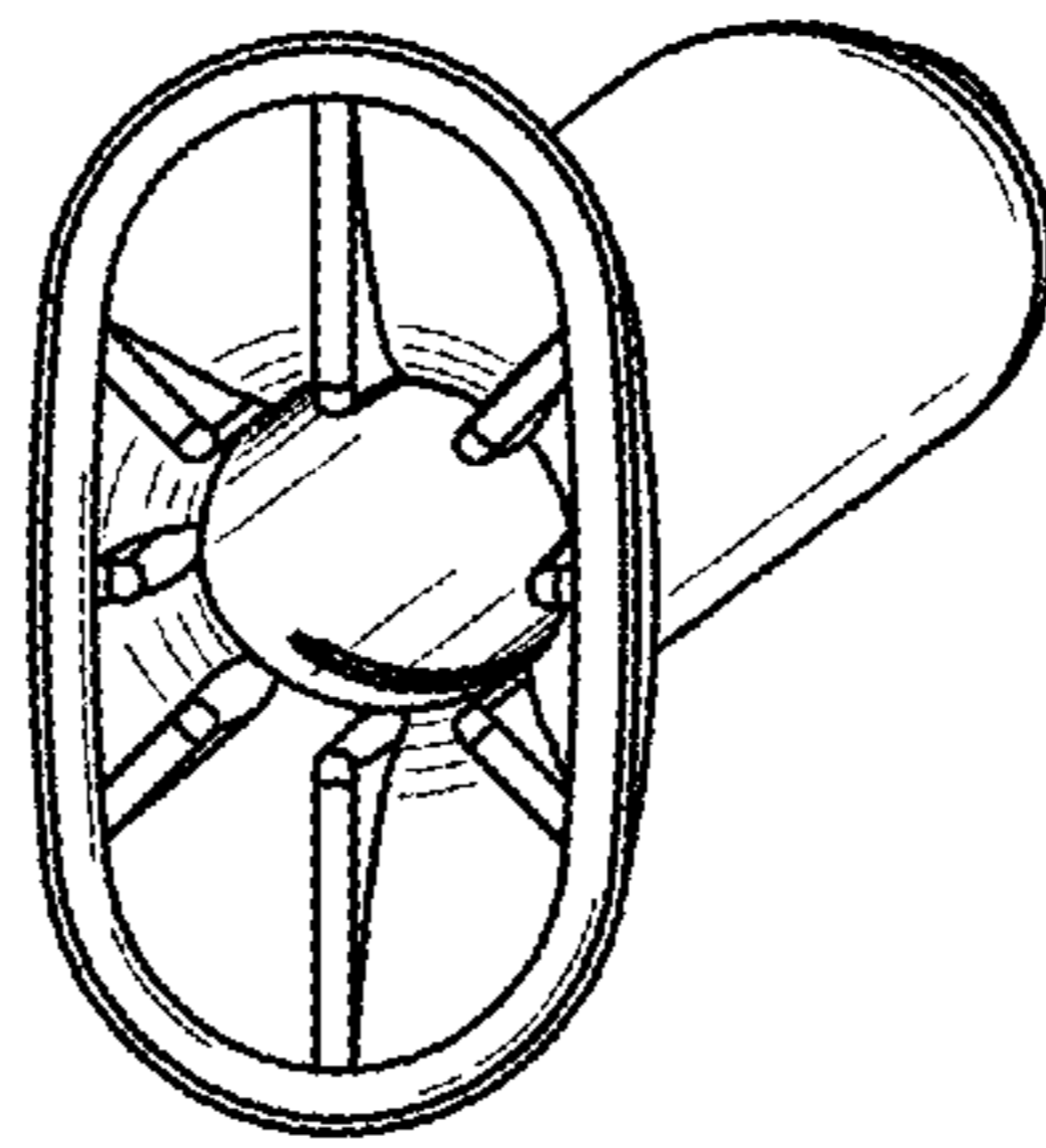


FIG. 10

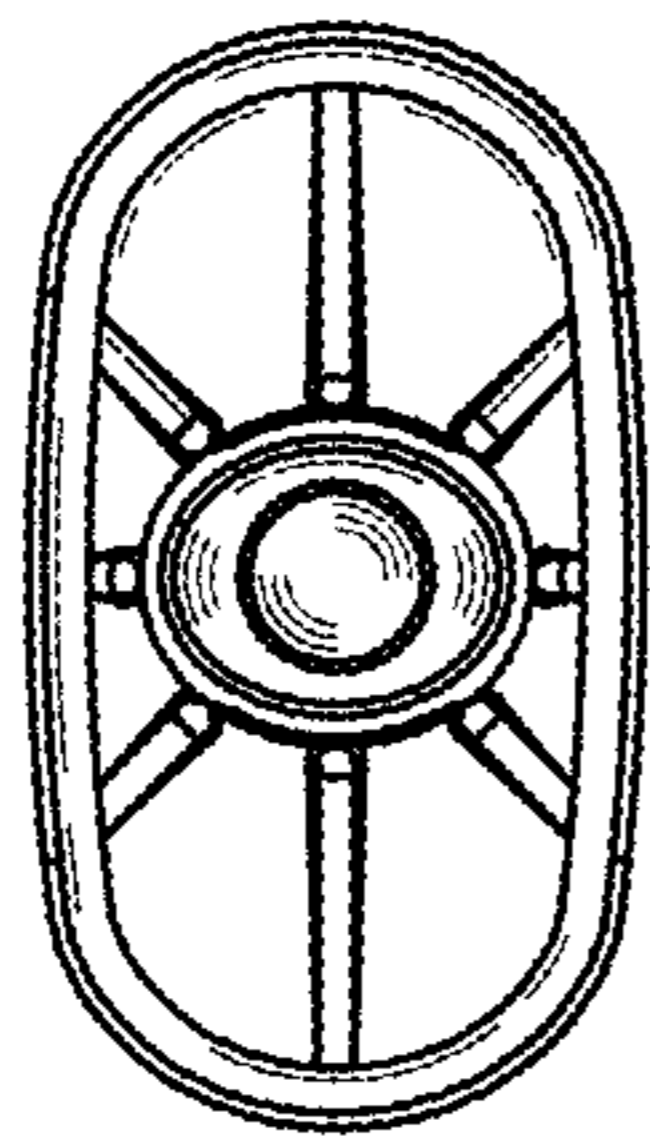


FIG. 11

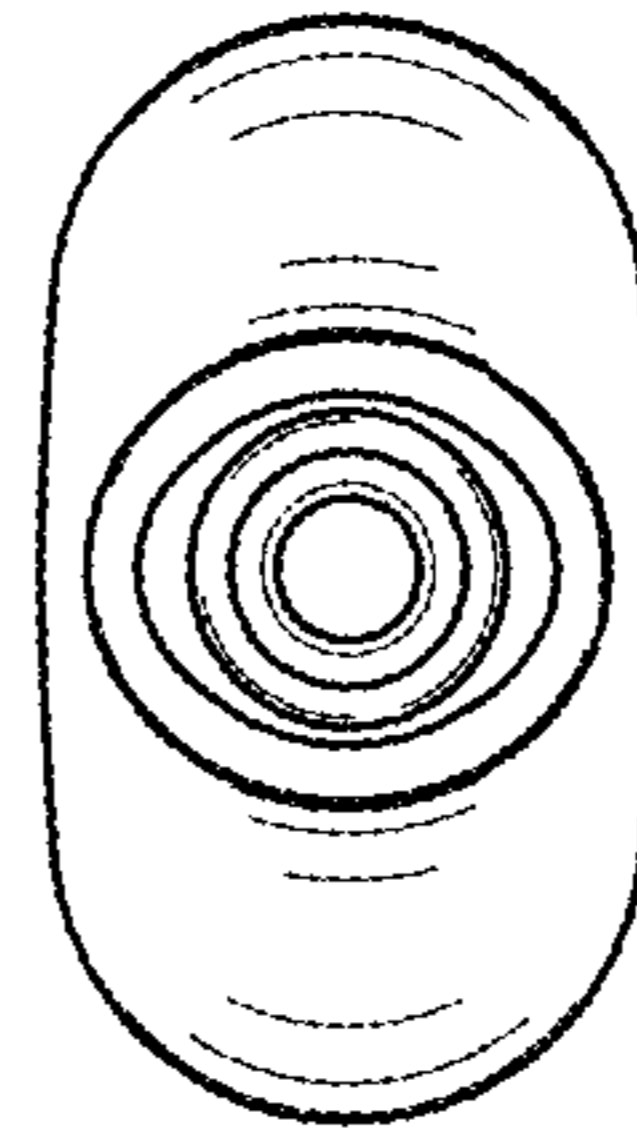


FIG. 12

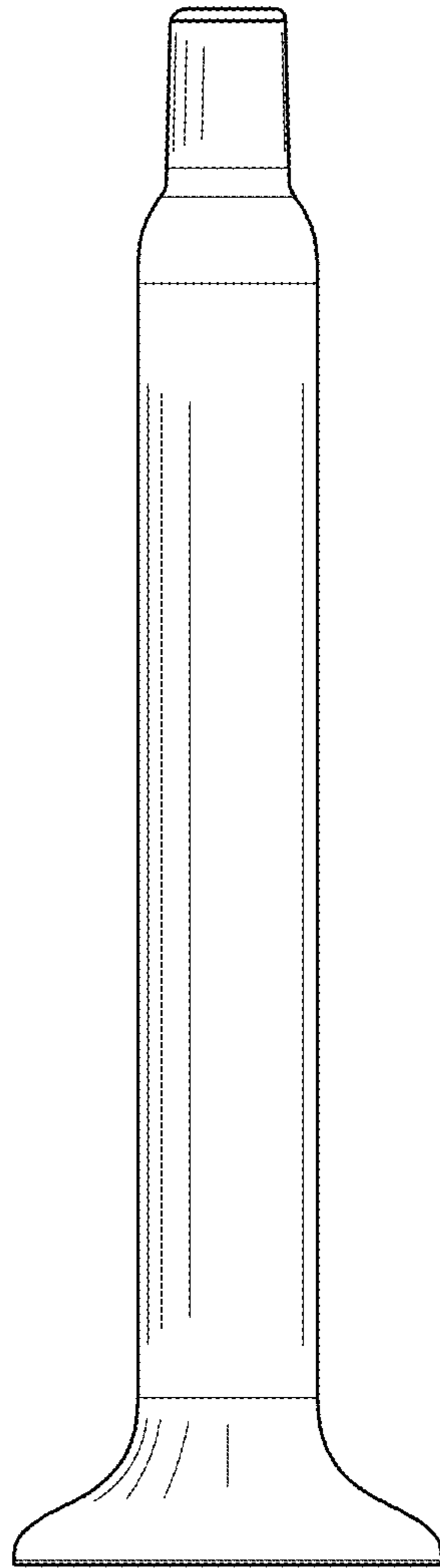


FIG. 13

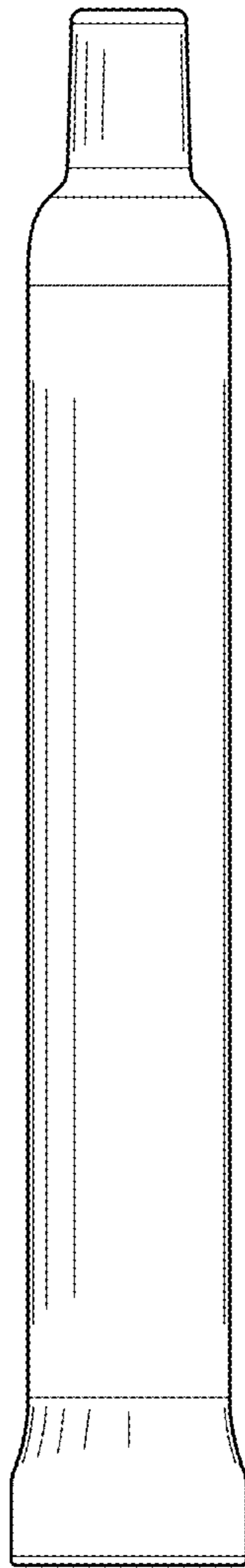


FIG. 14

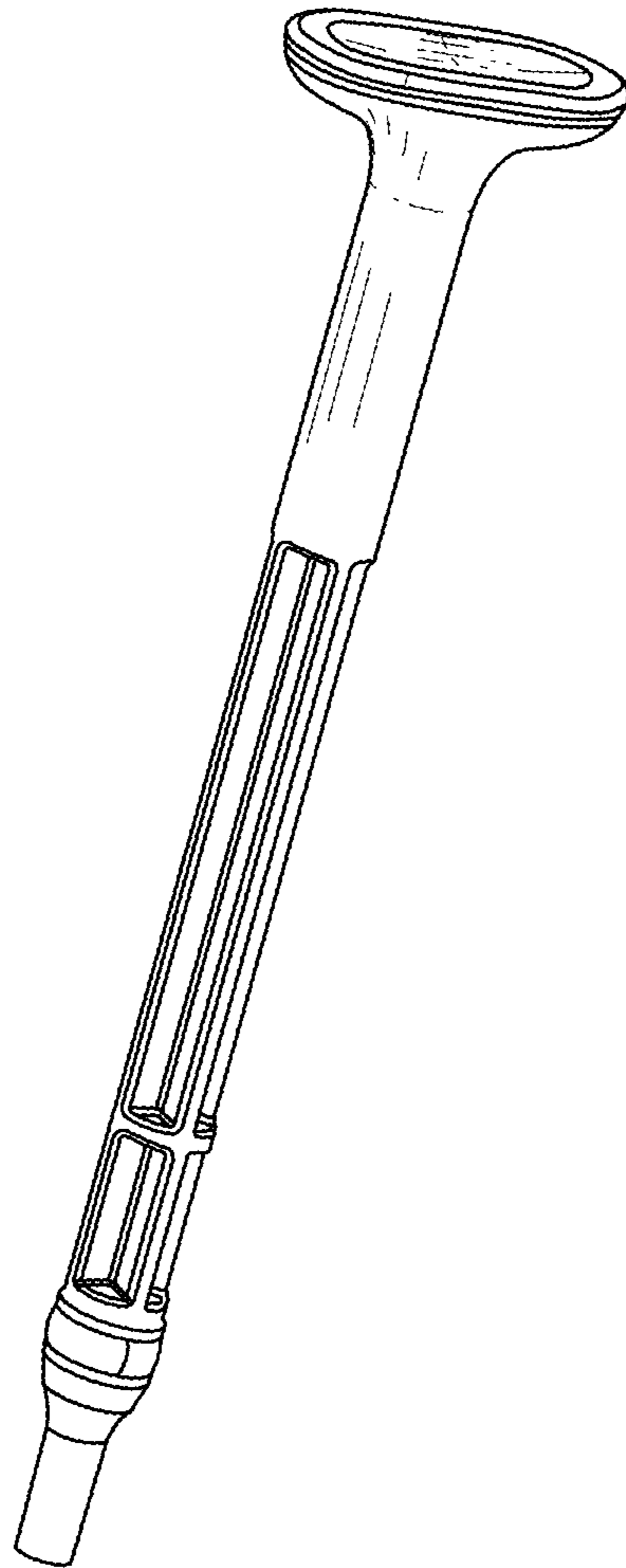


FIG. 15

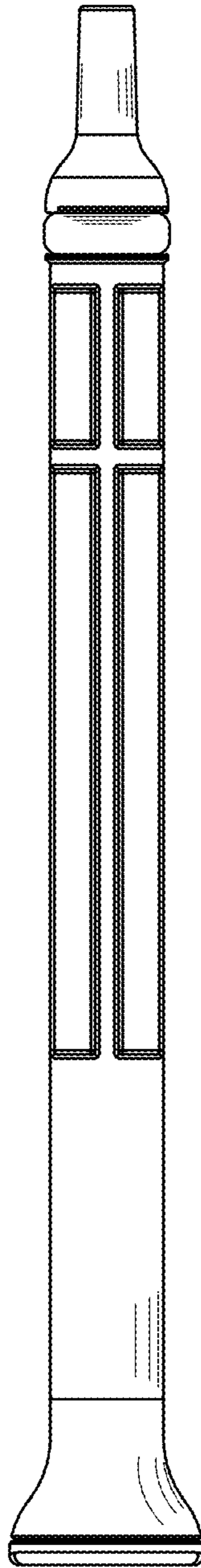


FIG. 16

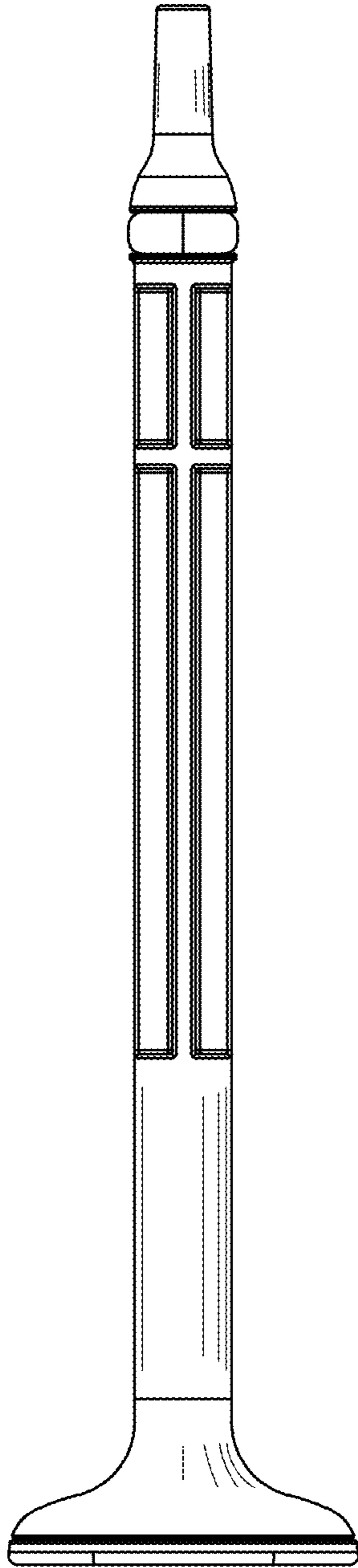


FIG. 17

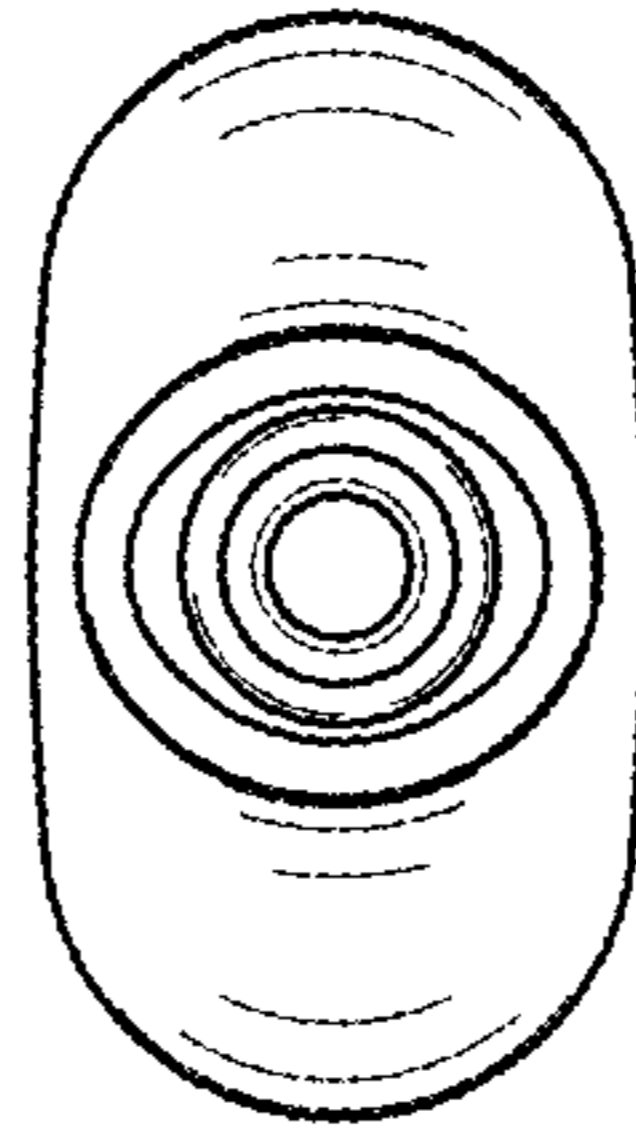


FIG. 18

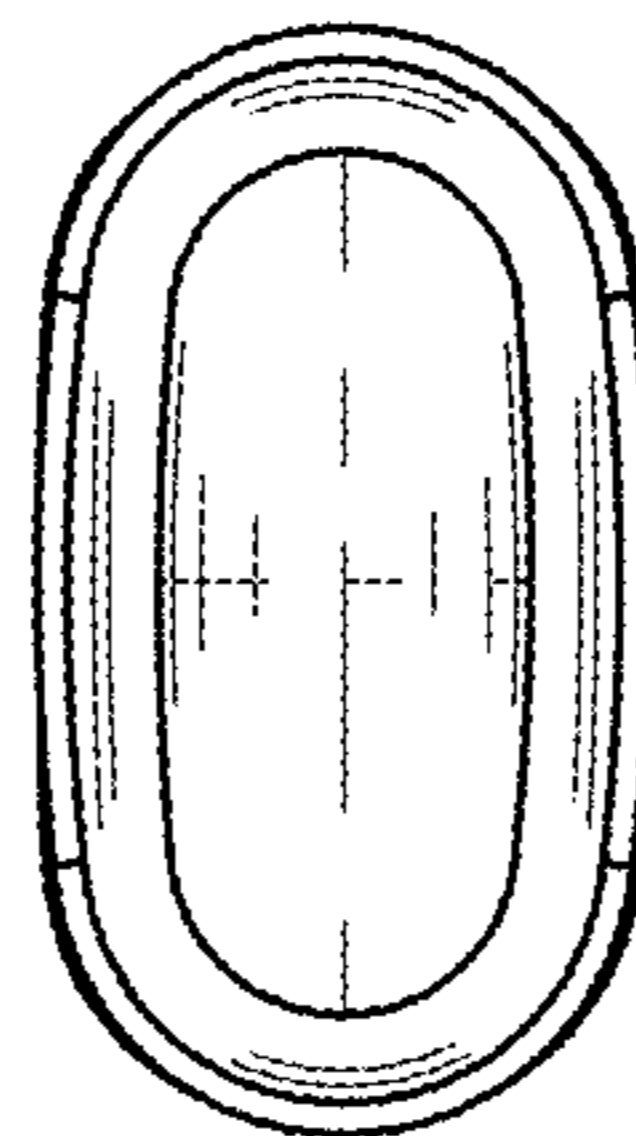


FIG. 19