



US00D830540S

(12) **United States Design Patent** (10) **Patent No.:** **US D830,540 S**
Rolfs et al. (45) **Date of Patent:** **** Oct. 9, 2018**

(54) **SYRINGE**
(71) Applicant: **Adamis Pharmaceuticals Corporation**,
San Diego, CA (US)
(72) Inventors: **Bryan E. Rolfs**, Chicago, IL (US);
James Shoemaker, St. Paul, MN (US)
(73) Assignee: **Adamis Pharmaceuticals Corporation**,
San Diego, CA (US)

D544,602 S * 6/2007 Hughett, Sr. 24/114
D612,487 S * 3/2010 Hunter D24/114
D634,424 S * 3/2011 Morejon D24/133
D660,420 S * 5/2012 Shaw D24/130
D751,691 S * 3/2016 Shaw D24/112
D795,426 S * 8/2017 Shi D24/146
2008/0228147 A1* 9/2008 David-Hegerich ... A61M 5/326
604/198
2008/0269692 A1* 10/2008 James A61M 5/3202
604/198

(**) Term: **15 Years**
(21) Appl. No.: **29/537,280**

* cited by examiner
Primary Examiner — David Muller
(74) *Attorney, Agent, or Firm* — K&L Gates LLP; Louis
C. Cullman; Brian J. Novak

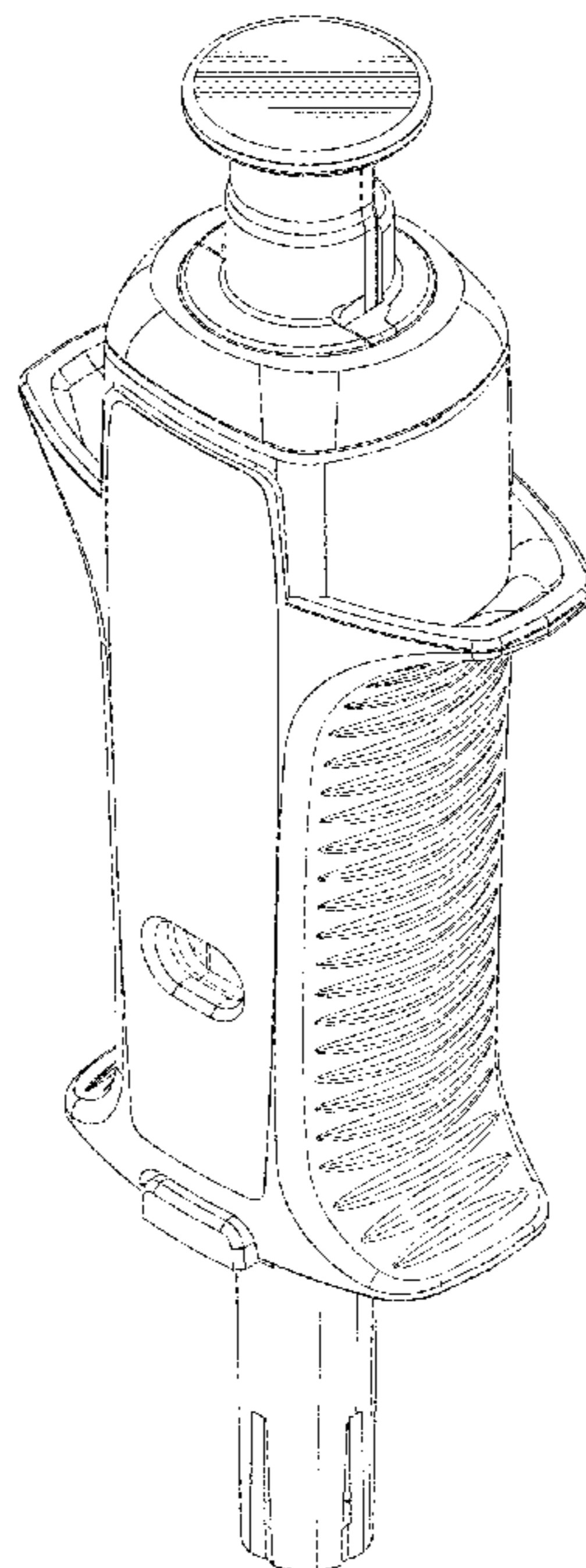
(22) Filed: **Aug. 24, 2015**
(51) **LOC (11) Cl.** **24-02**
(52) **U.S. Cl.**
USPC **D24/114**
(58) **Field of Classification Search**
USPC D24/112–114, 108, 133, 130, 127, 186;
606/181, 185; 604/264, 272, 187, 181,
604/184, 227
CPC A61M 5/178; A61M 3/00; A61M 5/20;
A61M 5/31; A61M 5/3146; A61M
5/3129; A61M 5/3148; A61M 5/315
See application file for complete search history.

(57) **CLAIM**
The ornamental design for a syringe, as shown and
described.

(56) **References Cited**
U.S. PATENT DOCUMENTS
D338,955 S * 8/1993 Gresl D24/112
D428,493 S * 7/2000 Radwanski D10/81
D446,578 S * 8/2001 Jansen D24/110
D449,379 S * 10/2001 Fuhr D24/133
6,382,465 B1 * 5/2002 Greiner-Perth ... A61M 15/0065
222/309

DESCRIPTION
FIG. 1 is a top perspective view of a syringe of my design.
FIG. 2 is a bottom perspective view of the syringe of FIG.
1.
FIG. 3 is a front view of the syringe of FIG. 1.
FIG. 4 is a back view of the syringe of FIG. 1.
FIG. 5 is a first side view of the syringe of FIG. 1.
FIG. 6 is a second side view of the syringe of FIG. 1.
FIG. 7 is a top view of the syringe of FIG. 1; and,
FIG. 8 is a bottom view of the syringe of FIG. 1.
Broken lines shown in the figures are included for the
purpose of illustrating portions of the inhaler and form no
part of the claimed design.

1 Claim, 6 Drawing Sheets



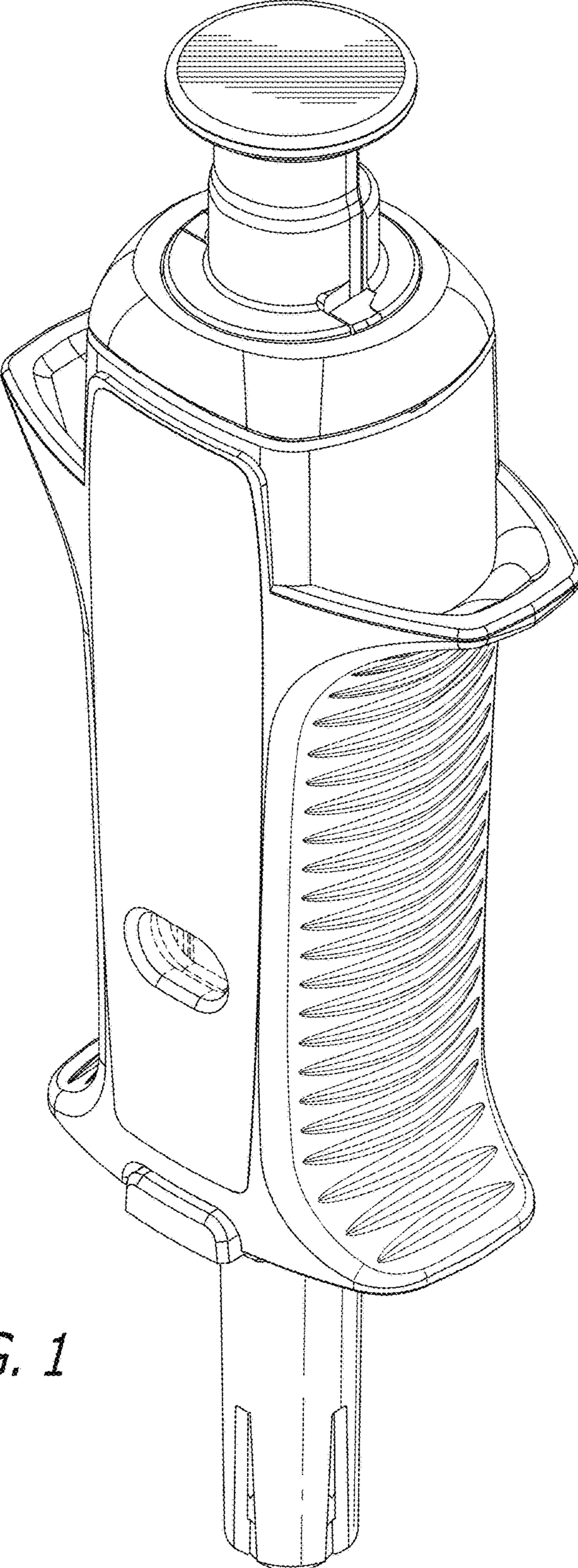


FIG. 1

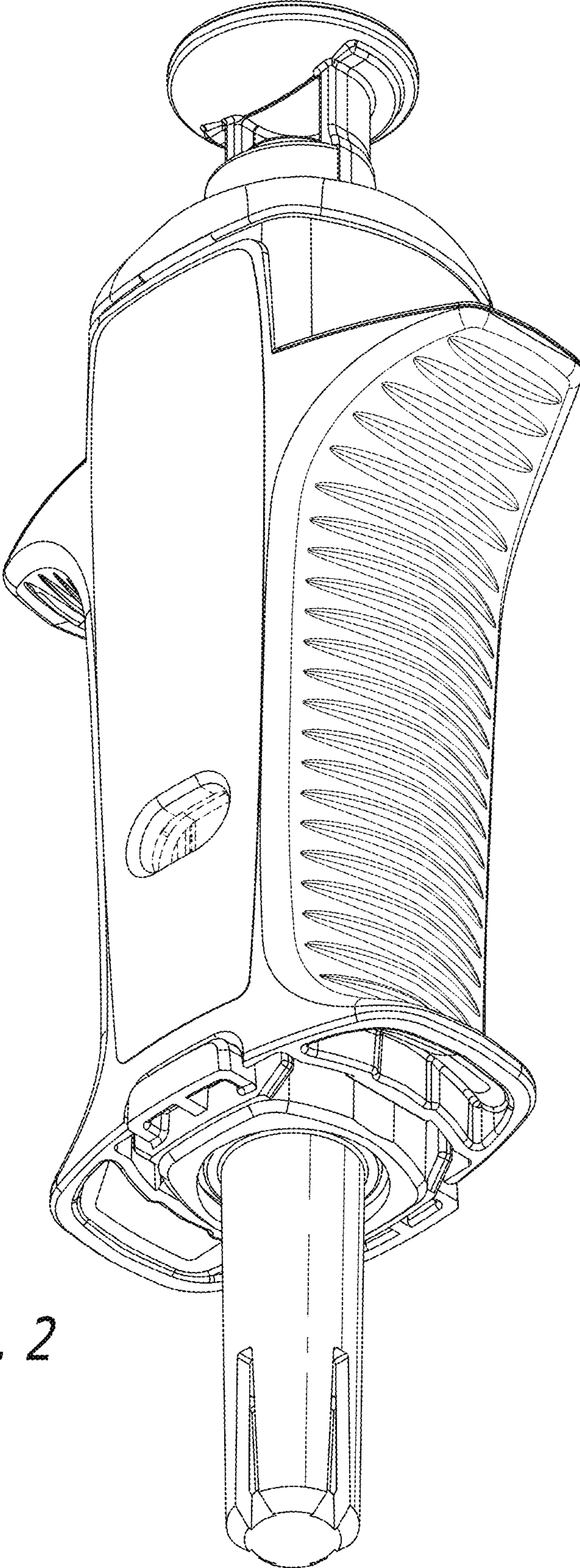


FIG. 2

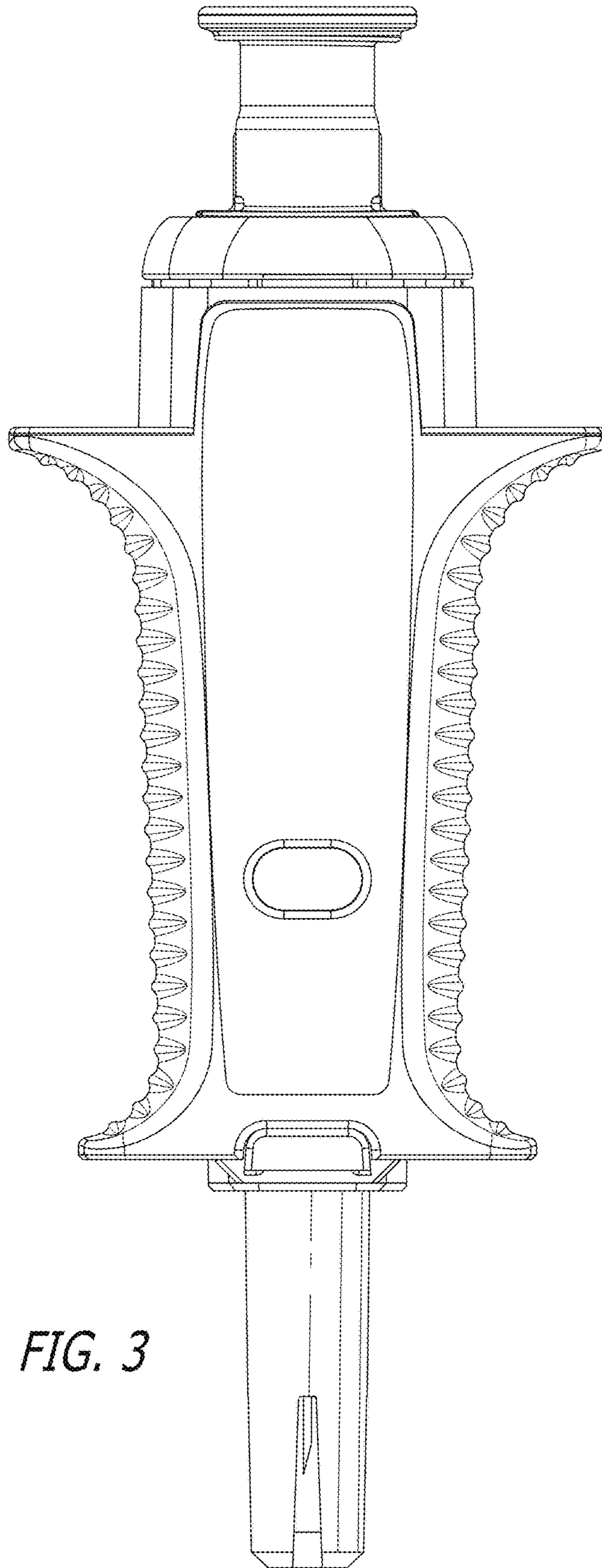


FIG. 3

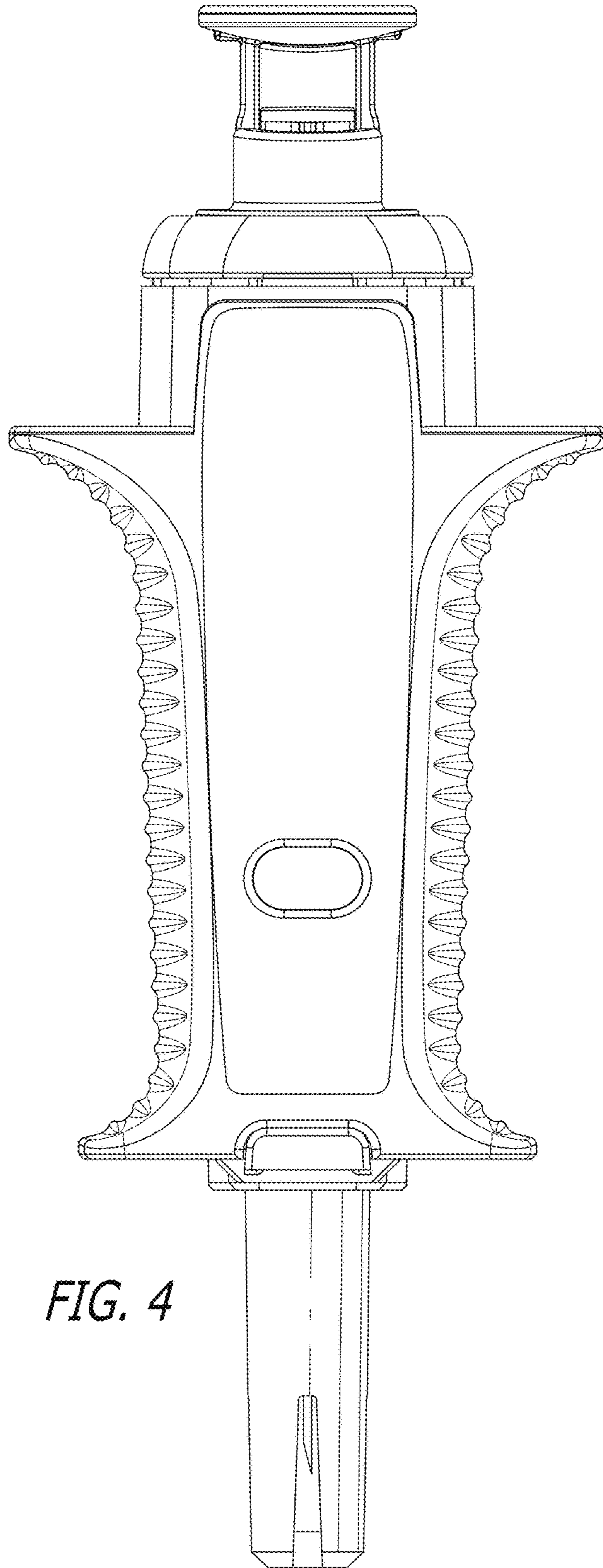


FIG. 4

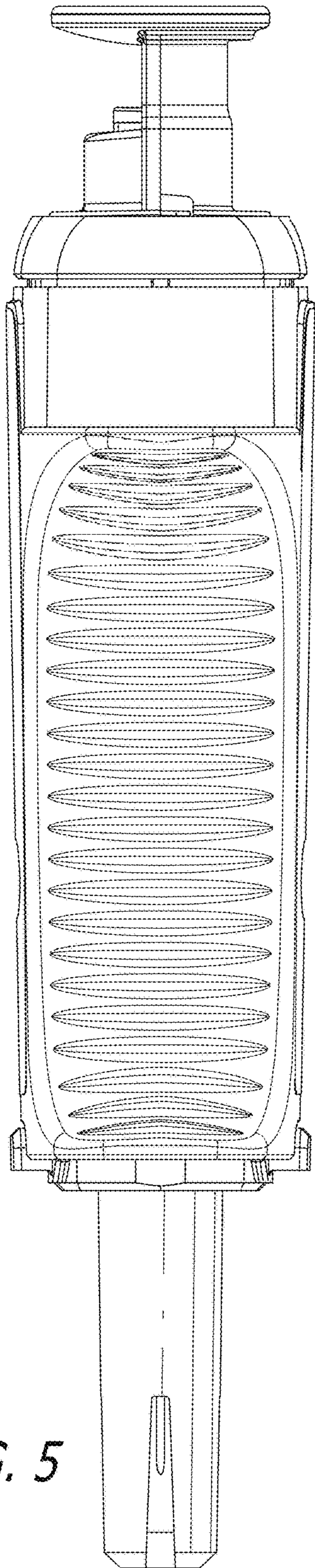


FIG. 5

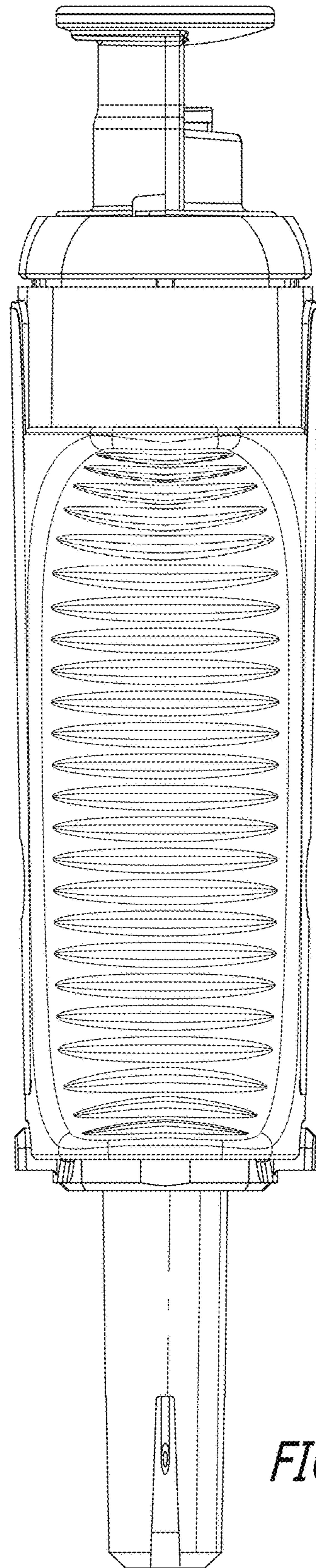


FIG. 6

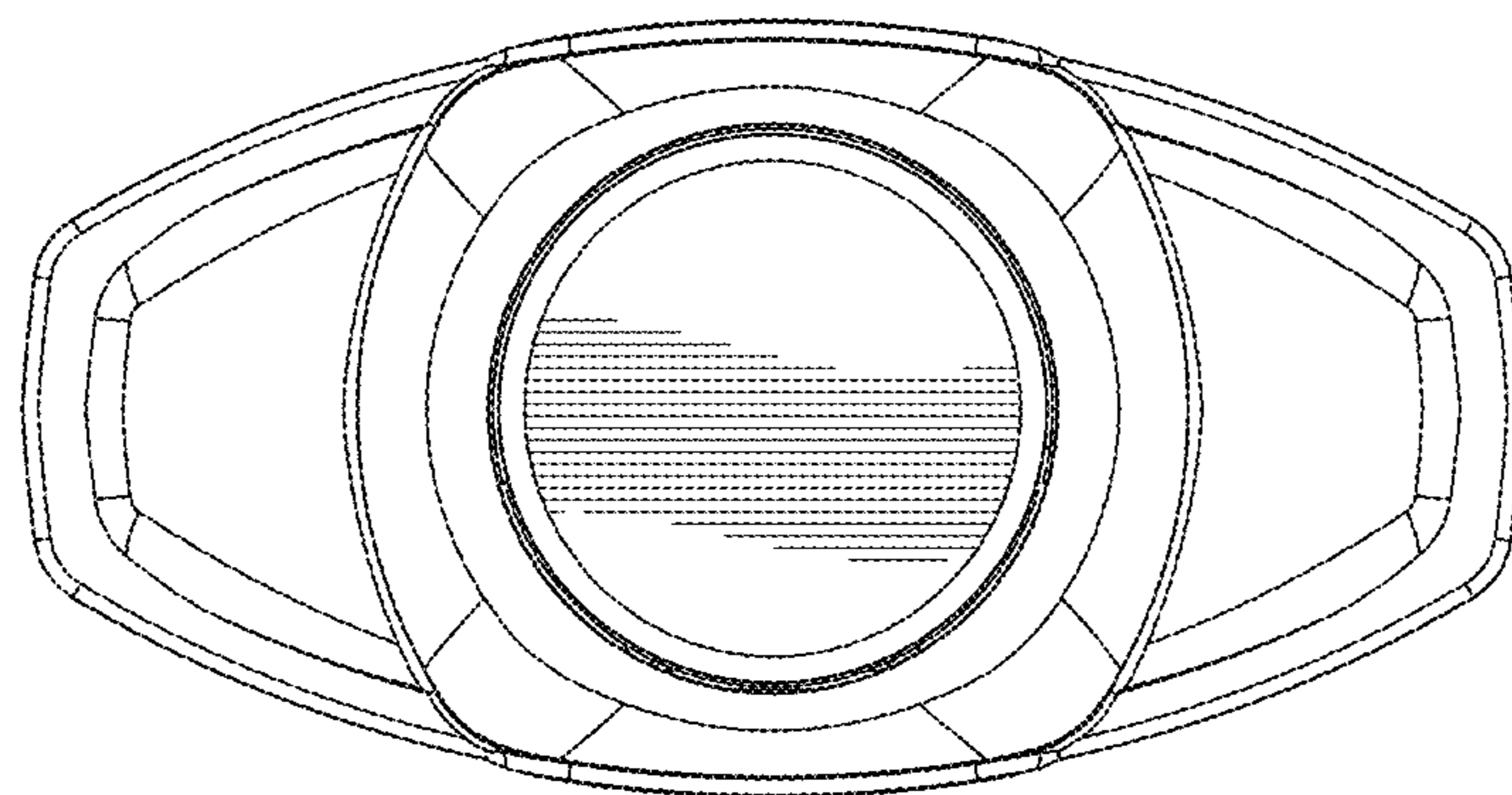


FIG. 7

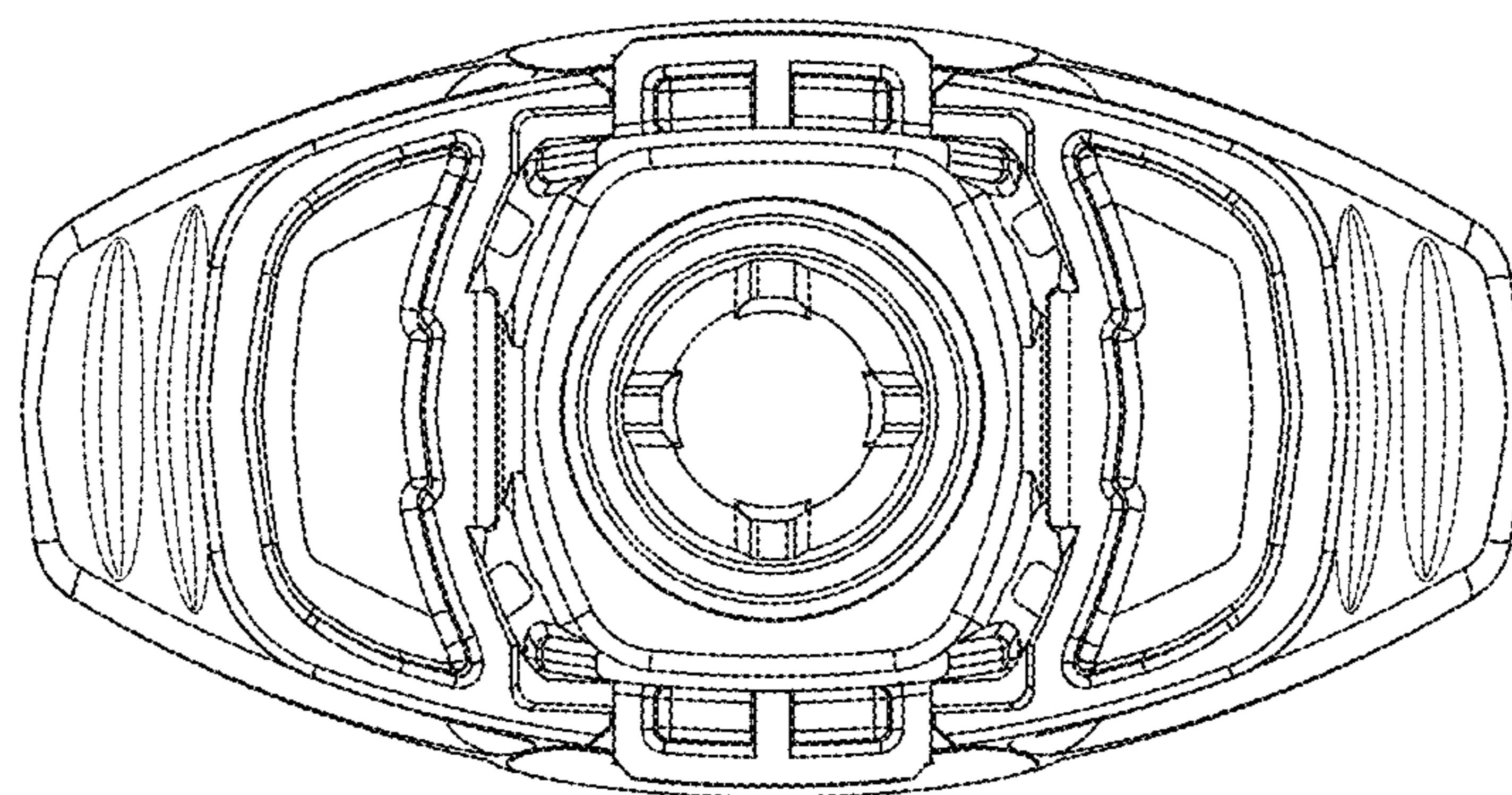


FIG. 8

UNITED STATES PATENT AND TRADEMARK OFFICE
CERTIFICATE OF CORRECTION

PATENT NO. : D830,540 S
APPLICATION NO. : 29/537280
DATED : October 9, 2018
INVENTOR(S) : Bryan E. Rolfs et al.

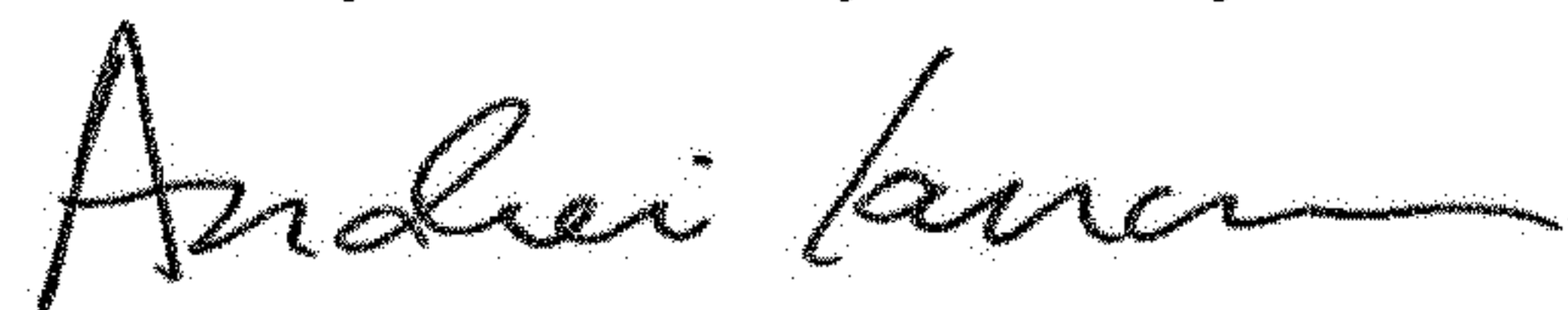
Page 1 of 1

It is certified that error appears in the above-identified patent and that said Letters Patent is hereby corrected as shown below:

On the Title Page

Under item (57), In the description, Line 11, last paragraph, please replace “inhaler” with --syringe--

Signed and Sealed this
Twenty-sixth Day of May, 2020



Andrei Iancu
Director of the United States Patent and Trademark Office