



US00D830539S

(12) **United States Design Patent** (10) **Patent No.:** **US D830,539 S**  
**Boyaval et al.** (45) **Date of Patent:** **\*\* Oct. 9, 2018**

(54) **AUTOINJECTOR**

(71) Applicant: **AMGEN INC.**, Thousand Oaks, CA (US)

(72) Inventors: **Margaux Frances Boyaval**, Newbury Park, CA (US); **Sigrid Moeslinger**, New York, NY (US); **Masamichi Udagawa**, New York, NY (US)

(73) Assignee: **AMGEN INC.**, Thousand Oaks, CA (US)

(\*\*) Term: **15 Years**

(21) Appl. No.: **29/563,102**

(22) Filed: **May 2, 2016**

(51) **LOC (11) Cl.** ..... **24-02**

(52) **U.S. Cl.**  
USPC ..... **D24/113**

(58) **Field of Classification Search**  
USPC ..... D24/112-114, 133, 186, 127-131;  
606/181, 185; 604/264, 272, 115, 232,  
604/187, 158, 164.08, 192, 263, 163, 181,  
604/184, 198, 227; 600/101, 139, 143;  
128/200.24, 207.14, 207.15;  
D19/115-123, 177, 193  
CPC ..... A61M 5/3156; A61M 5/31591; A61M  
5/3155; A61M 5/3157; A61M 5/24;  
A61M 5/31501; A61M 5/31551; A61M  
5/31585; A61M 2005/2407; A61M  
2005/2492; A61M 2205/581; A61M  
2205/582

See application file for complete search history.

(56) **References Cited**

**U.S. PATENT DOCUMENTS**

D321,472 S \* 11/1991 Evans ..... D24/130  
D443,641 S \* 6/2001 Mader ..... D19/117

D622,374 S \* 8/2010 Julian ..... D24/113  
D629,509 S \* 12/2010 Julian ..... D24/113  
D697,205 S \* 1/2014 Schneider ..... D24/113  
D721,802 S \* 1/2015 Ohashi ..... D24/113  
D728,782 S \* 5/2015 Dubuc ..... D24/113  
D757,255 S \* 5/2016 Wohlfahrt ..... D24/113  
D773,648 S \* 12/2016 Wohlfahrt ..... D24/113  
D774,641 S \* 12/2016 Miggels ..... D24/113  
D780,909 S \* 3/2017 Burkett ..... D24/113  
2014/0371684 A1\* 12/2014 Holmqvist ..... A61M 5/3202  
604/198  
2016/0263325 A1\* 9/2016 Huthmacher ..... A61M 5/3243

\* cited by examiner

*Primary Examiner* — David Muller

*Assistant Examiner* — Nathan Johnston

(74) *Attorney, Agent, or Firm* — Marshall, Gerstein & Borun LLP

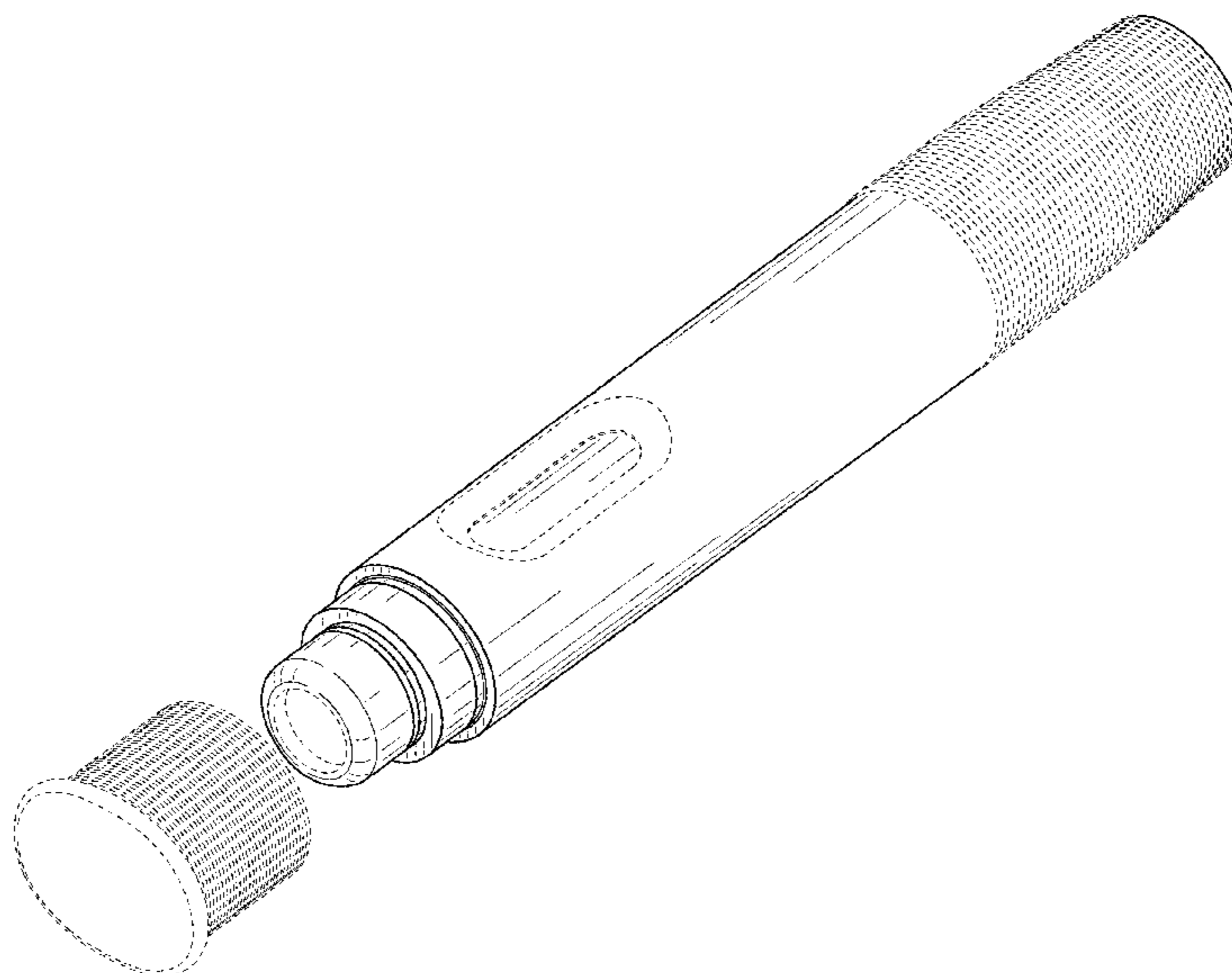
(57) **CLAIM**

The ornamental design for an autoinjector, as shown and described.

**DESCRIPTION**

FIG. 1 is a perspective view showing a new design for an autoinjector with needle guard and removable cap, showing the removable cap removed;  
FIG. 2 is a front elevation view thereof;  
FIG. 3 is a rear elevation view thereof;  
FIG. 4 is a left-side end view thereof;  
FIG. 5 is a left-side end view thereof with the removable cap removed to illustrate an end view of the needle guard;  
FIG. 6 is a right-side end view thereof;  
FIG. 7 is a top plan view thereof; and,  
FIG. 8 is a bottom plan view thereof.  
The dashed lines showing portions of the autoinjector drug delivery device are included for the purpose of illustrating environment and form no part of the claimed design.

**1 Claim, 3 Drawing Sheets**



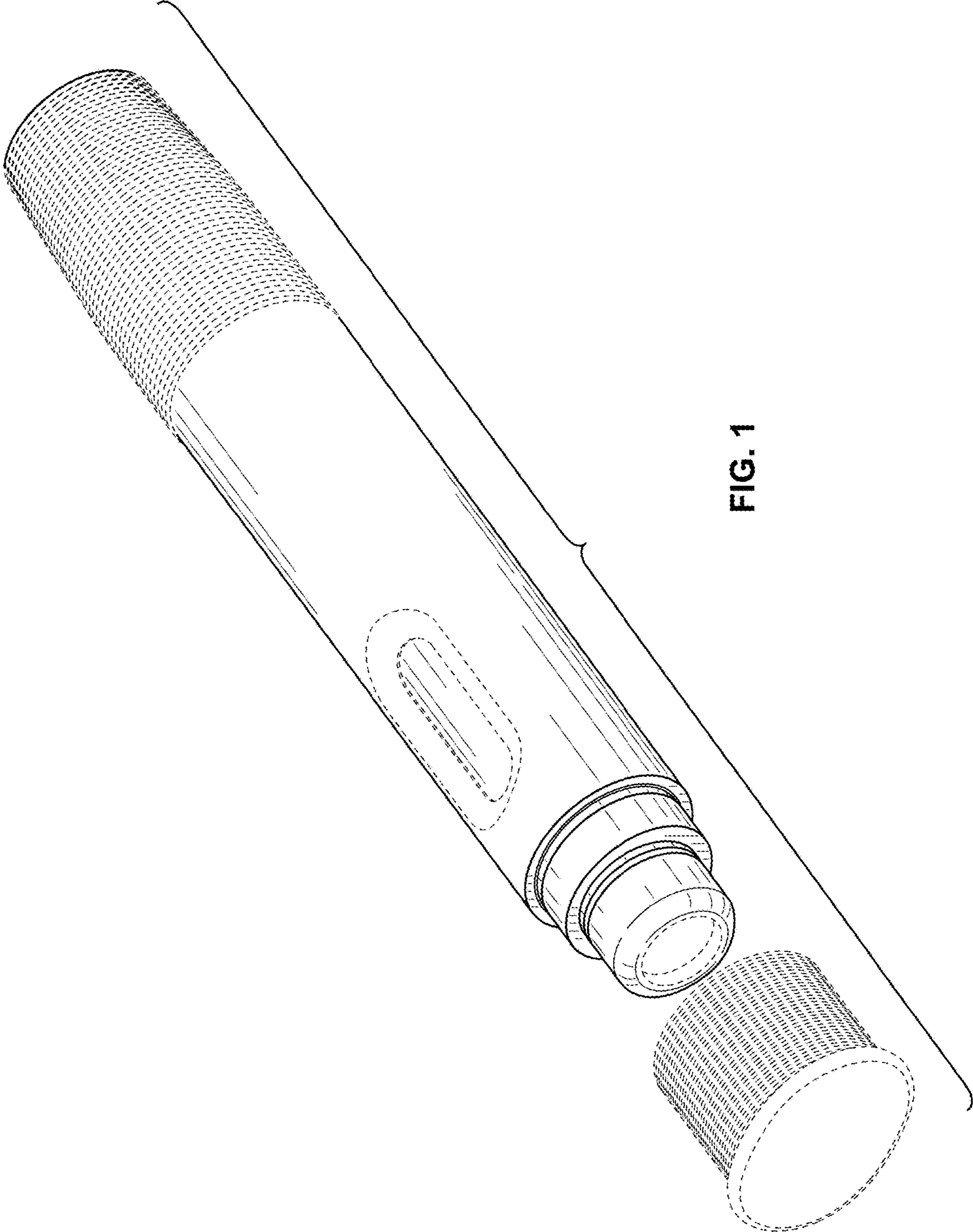


FIG. 1



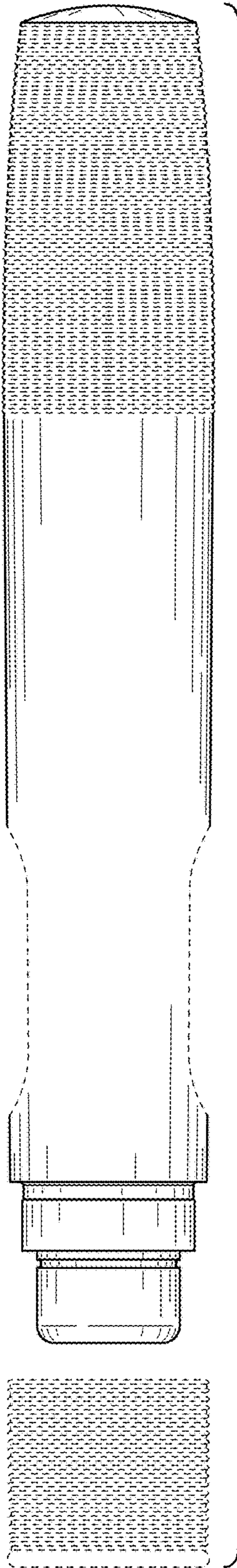


FIG. 2

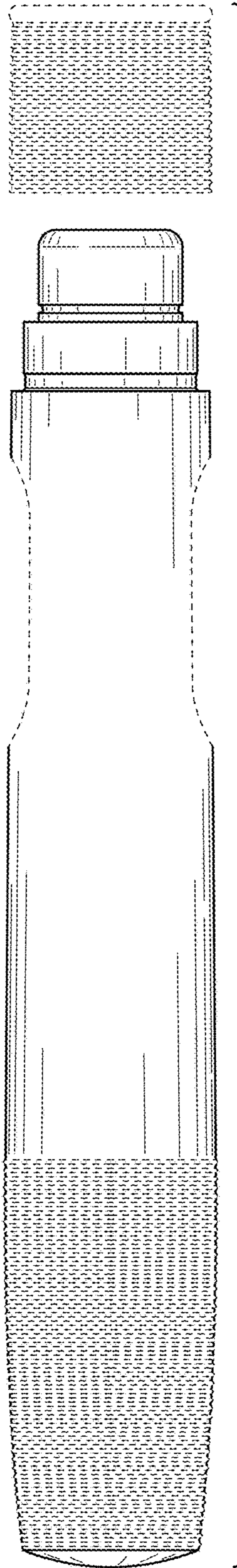


FIG. 3

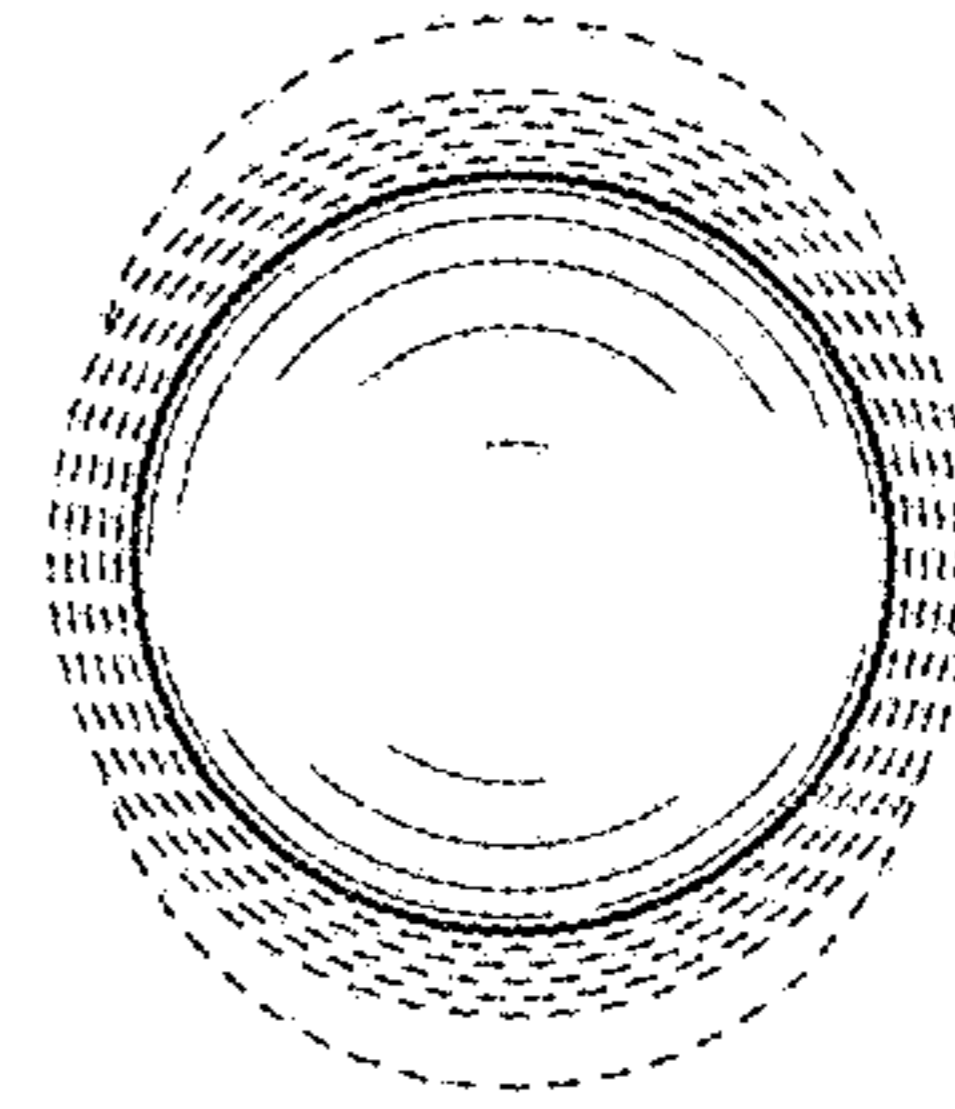


FIG. 6

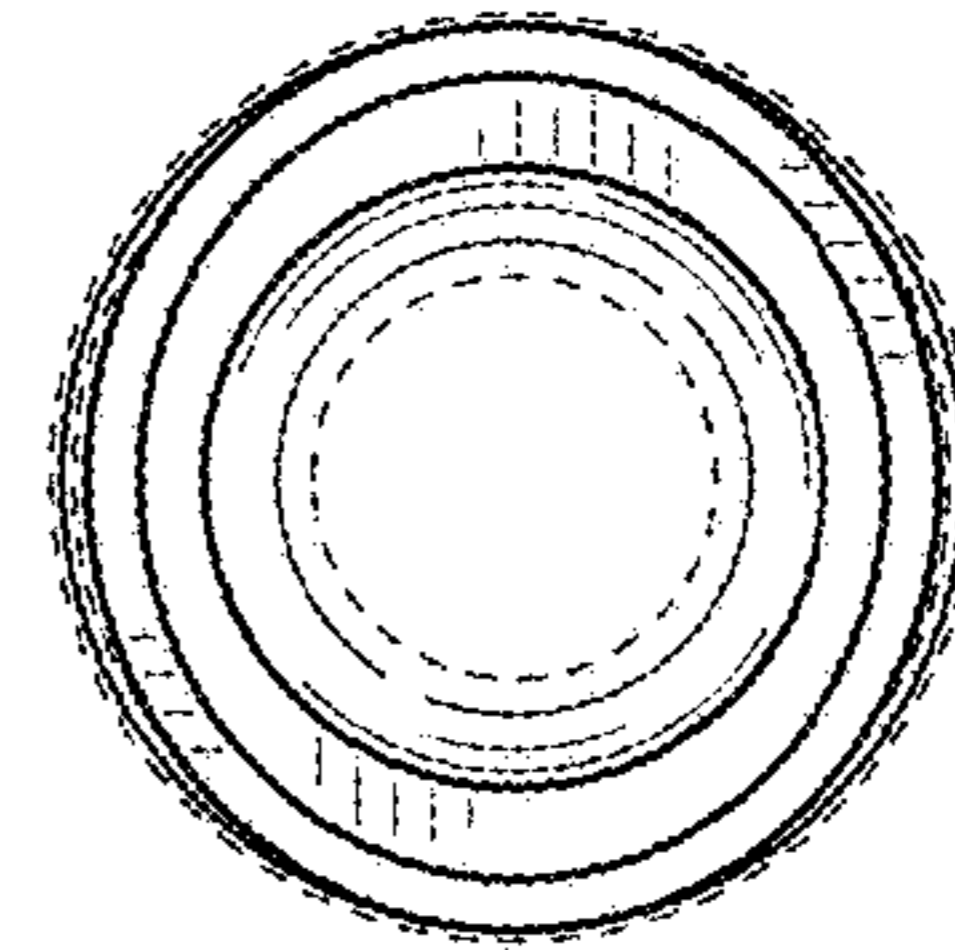


FIG. 5

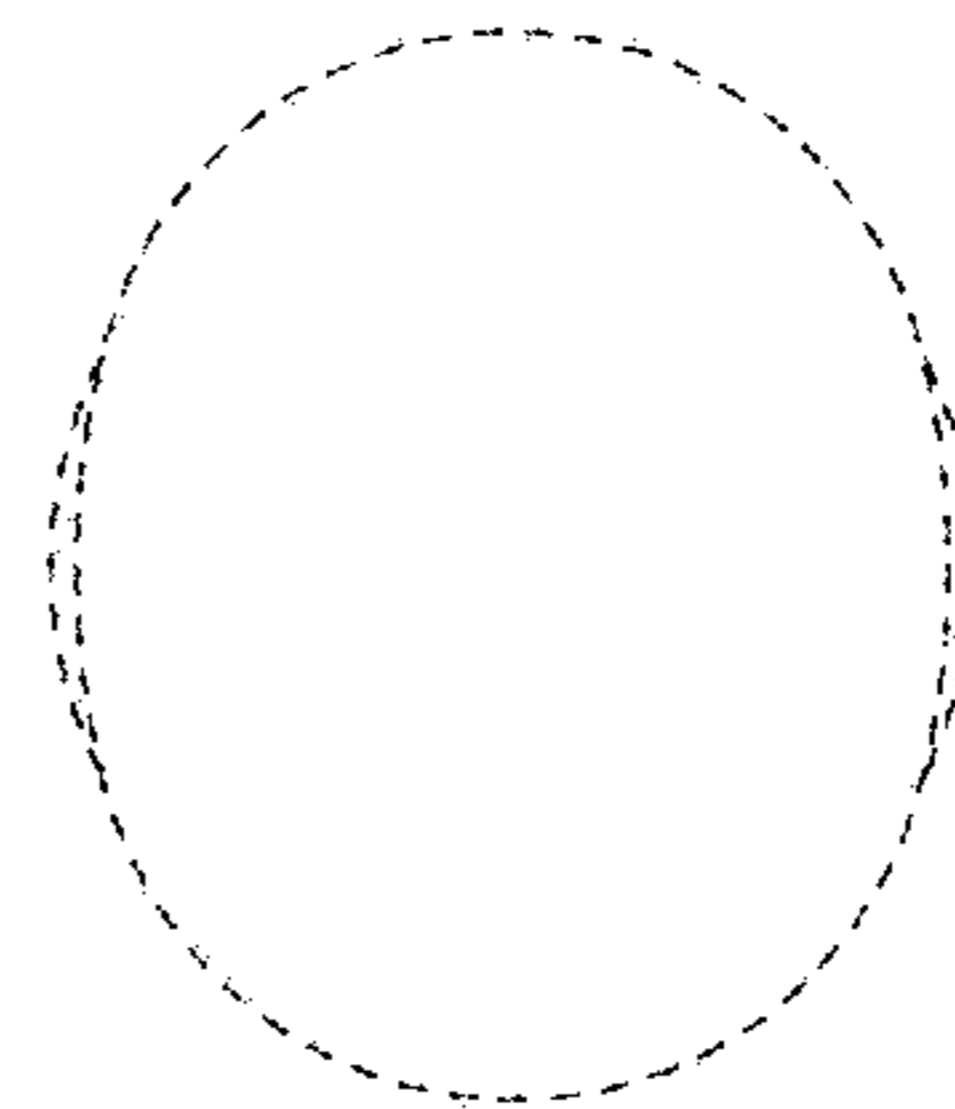


FIG. 4

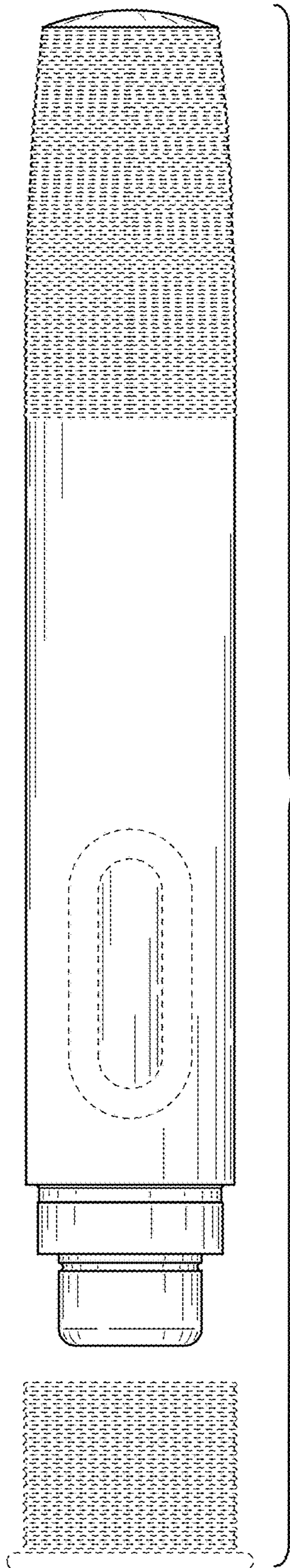


FIG. 7

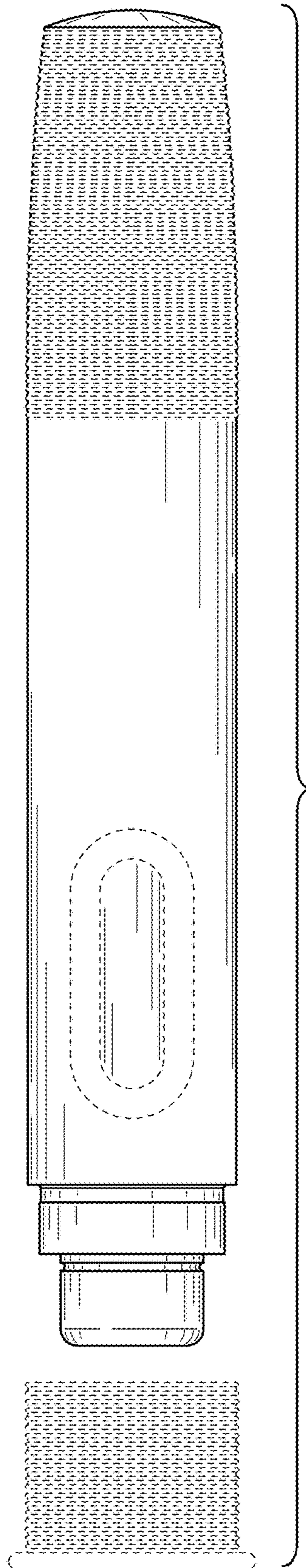


FIG. 8