



US00D830536S

(12) **United States Design Patent** (10) **Patent No.:** **US D830,536 S**
White et al. (45) **Date of Patent:** **** Oct. 9, 2018**

(54) **AIRWAY ADAPTER**

OTHER PUBLICATIONS

(71) Applicant: **VYAIR MEDICAL CONSUMABLES LLC**, Mettawa, IL (US)

International Search Report and Written Opinion for Application No. PCT/US2015/044244, dated Feb. 4, 2016, 21 pages.

(Continued)

(72) Inventors: **Dennis White**, Yorba Linda, CA (US); **Haojun Fu**, Yorba Linda, CA (US); **Sibgat Ulla**, Placentia, CA (US); **Ming Lu**, Pasadena, CA (US)

Primary Examiner — Karen E Kearney

Assistant Examiner — Lilyana Bekic

(74) *Attorney, Agent, or Firm* — McDermott Will & Emery LLP

(73) Assignee: **VYAIR MEDICAL CONSUMABLES LLC**, Yorba Linda, CA (US)

(57) **CLAIM**

(**) Term: **15 Years**

The ornamental design for an airway adapter, as shown and described.

(21) Appl. No.: **29/635,210**

(22) Filed: **Jan. 29, 2018**

DESCRIPTION

Related U.S. Application Data

(63) Continuation of application No. 29/535,621, filed on Aug. 7, 2015, now Pat. No. Des. 809,126.

(51) **LOC (11) Cl.** **29-02**

(52) **U.S. Cl.**
USPC **D24/110; D24/129**

(58) **Field of Classification Search**
USPC D24/110, 110.5, 110.6, 129, 164
(Continued)

FIG. 1 is a top perspective view of an airway adapter;
FIG. 2 is a right side view of the airway adapter shown in FIG. 1;

FIG. 3 is a left side view of the airway adapter shown in FIG. 1;

FIG. 4 is a front elevation view of the airway adapter shown in FIG. 1;

FIG. 5 is a rear elevation view of the airway adapter shown in FIG. 1;

FIG. 6 is a top view of the airway adapter shown in FIG. 1;

FIG. 7 is a bottom view of the airway adapter shown in FIG. 1 in a first configuration;

FIG. 8 is a bottom view of the airway adapter shown in FIG. 1 in a second configuration;

FIG. 9 is a bottom view of the airway adapter shown in FIG. 1 in a third configuration; and,

FIG. 10 is a bottom view of the airway adapter shown in FIG. 1 in a fourth configuration.

The broken lines in the drawings depict portions of the airway adapter that form no part of the claimed design.

(56) **References Cited**

U.S. PATENT DOCUMENTS

4,240,417 A 12/1980 Holver

4,696,296 A 9/1987 Palmer

(Continued)

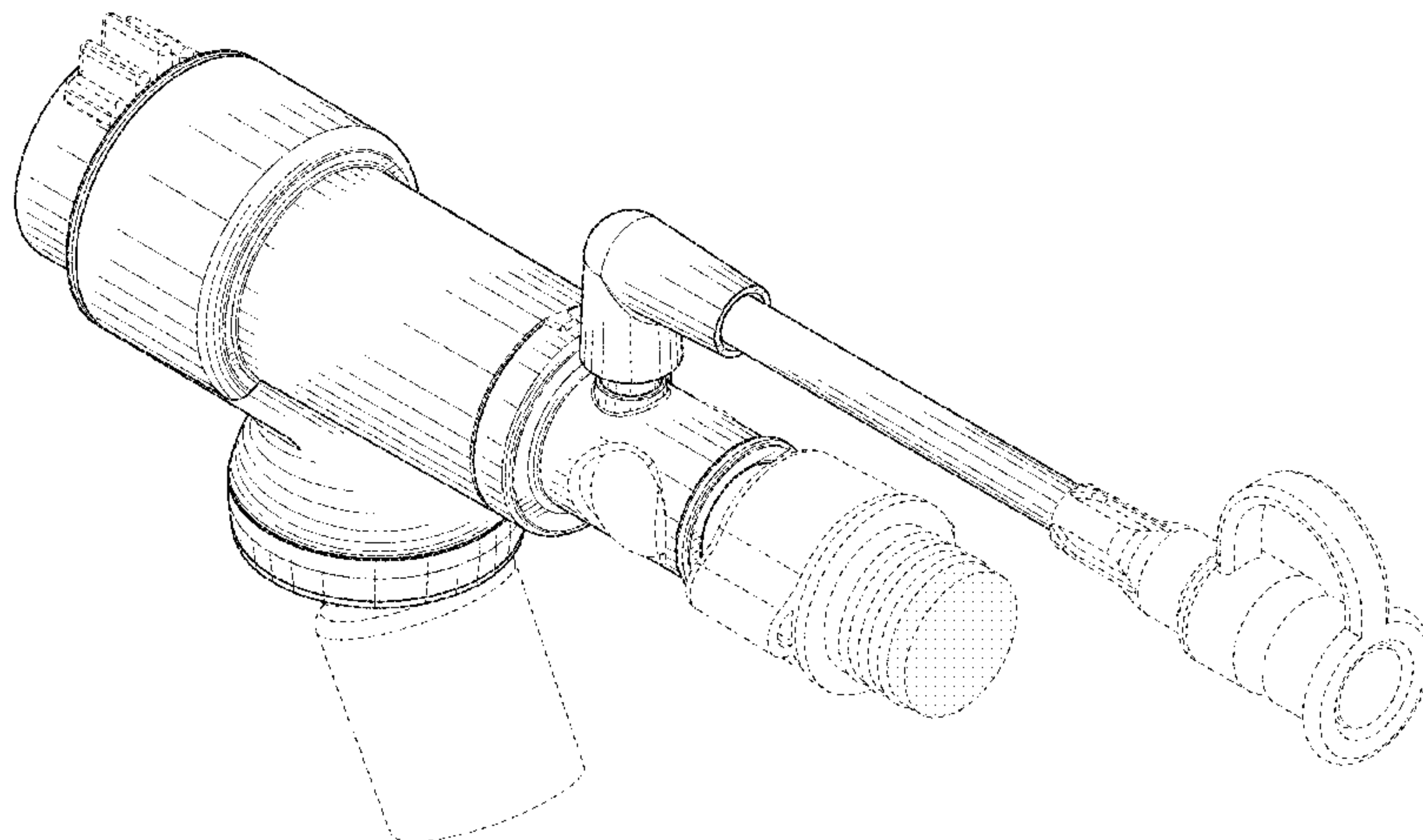
FOREIGN PATENT DOCUMENTS

WO WO-0015276 A1 3/2000

WO WO-2005094925 A1 10/2005

(Continued)

1 Claim, 7 Drawing Sheets



(58) **Field of Classification Search**

CPC A61M 16/085; A61M 16/08; A61M 16/0463; A61B 5/097; A61B 5/0836; A61B 5/083; A61B 5/082; A61B 5/087
See application file for complete search history.

D655,412 S 3/2012 Luk et al.
D660,957 S 5/2012 Lee-Sepsick
8,490,622 B2 7/2013 Stenzler et al.
D691,717 S 10/2013 McLean et al.
8,544,463 B2* 10/2013 Brewer A61M 16/0463
128/200.24

(56) **References Cited**

U.S. PATENT DOCUMENTS

D300,361 S 3/1989 Tokarz
4,825,859 A 5/1989 Lambert
4,834,726 A 5/1989 Lambert
4,836,199 A 6/1989 Palmer
4,838,255 A 6/1989 Lambert
4,848,331 A 7/1989 Northway-Meyer
4,850,350 A 7/1989 Jackson
4,938,741 A 7/1990 Lambert
5,025,806 A 6/1991 Palmer et al.
5,029,580 A 7/1991 Radford et al.
5,031,613 A 7/1991 Smith et al.
5,060,646 A 10/1991 Page
5,083,561 A 1/1992 Russo
5,735,271 A* 4/1998 Lorenzen A61M 16/0463
128/200.26
5,738,091 A* 4/1998 Kee A61M 1/0064
128/202.27
D449,106 S 10/2001 Madsen et al.
D449,107 S 10/2001 Madsen et al.
6,609,520 B1 8/2003 Carlsen et al.
6,612,304 B1 9/2003 Cise et al.
6,615,835 B1* 9/2003 Cise A61M 16/0463
128/200.26
D492,030 S 6/2004 Rani
D519,632 S 4/2006 Bayron et al.
7,775,206 B2* 8/2010 Anderson A61M 16/0463
128/200.26
7,878,202 B2* 2/2011 Anderson A61M 16/0463
128/207.16
D650,478 S 12/2011 Lewis
D653,329 S 1/2012 Lee-Sepsick
D654,583 S 2/2012 Lee-Sepsick

D712,027 S 8/2014 Zerwic et al.
D713,958 S 9/2014 Srinivasan et al.
D714,436 S 9/2014 Lee-Sepsick
D727,492 S 4/2015 Scampoli
D730,518 S 5/2015 Lombardi, III et al.
D747,473 S 1/2016 Martin et al.
D749,721 S 2/2016 Dziak et al.
D764,660 S 8/2016 Babbs et al.
9,427,541 B2 8/2016 Chiu
D771,806 S 11/2016 Steele
D809,126 S* 1/2018 White D24/110
D815,729 S* 4/2018 Guala D24/110.6
D816,211 S* 4/2018 Guala D24/110.6
2010/0147310 A1* 6/2010 Brewer A61M 16/0463
128/207.14
2010/0288282 A1* 11/2010 Brewer A61M 16/0463
128/207.14
2013/0144268 A1 6/2013 Chung
2013/0312755 A1 11/2013 Ho
2013/0312756 A1 11/2013 Ho
2013/0312759 A1 11/2013 Ho
2016/0038700 A1 2/2016 White et al.
2016/0038701 A1 2/2016 White et al.
2017/0143921 A1 5/2017 White et al.

FOREIGN PATENT DOCUMENTS

WO WO-2007146613 A2 12/2007
WO WO-2010014735 A1 2/2010
WO WO-2010052241 A1 5/2010

OTHER PUBLICATIONS

Invitation to Pay Fees and Partial Search Report for Application No. PCT/US2015/044244, dated Oct. 20, 2015, 9 pages.

* cited by examiner

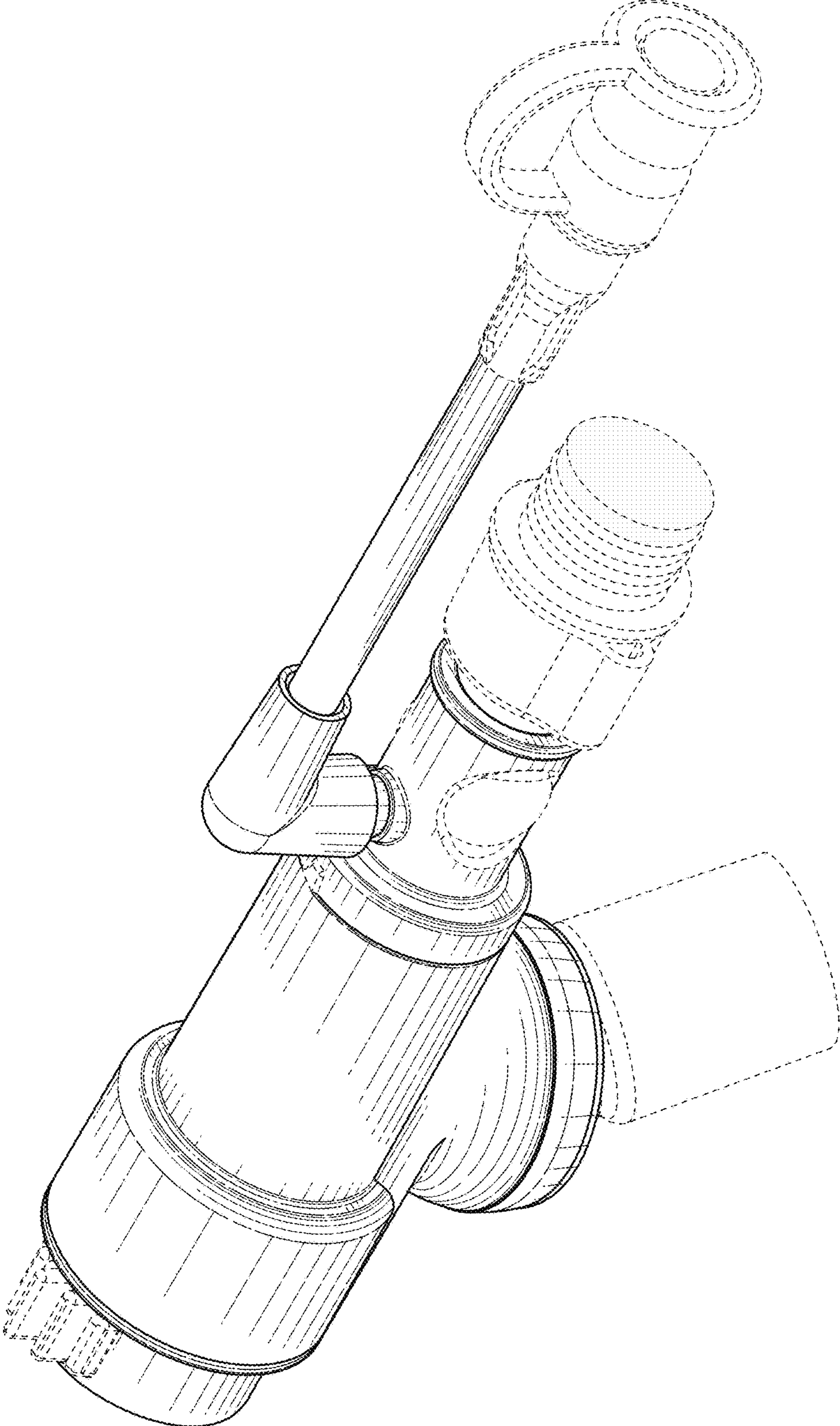


FIG. 1

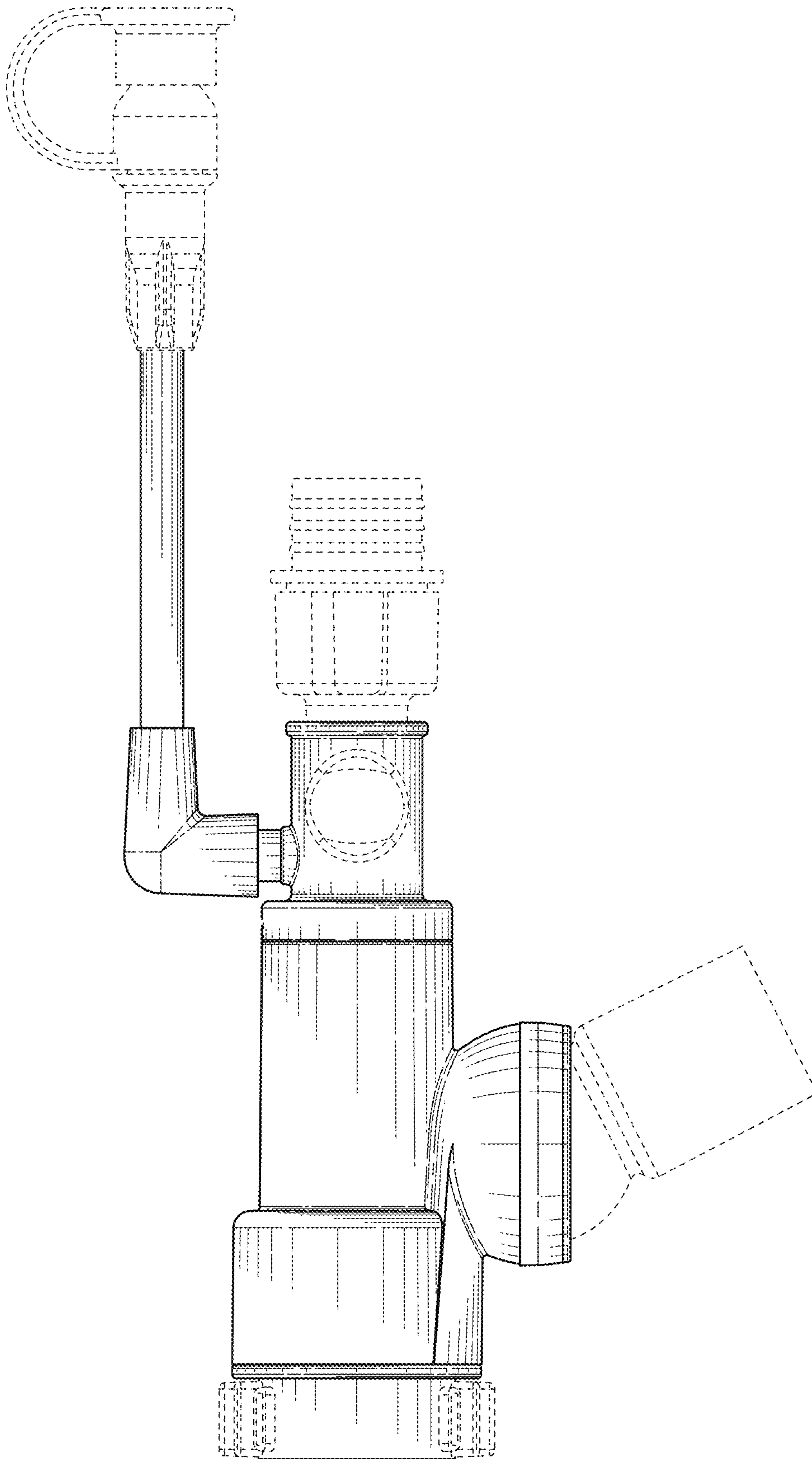


FIG. 2

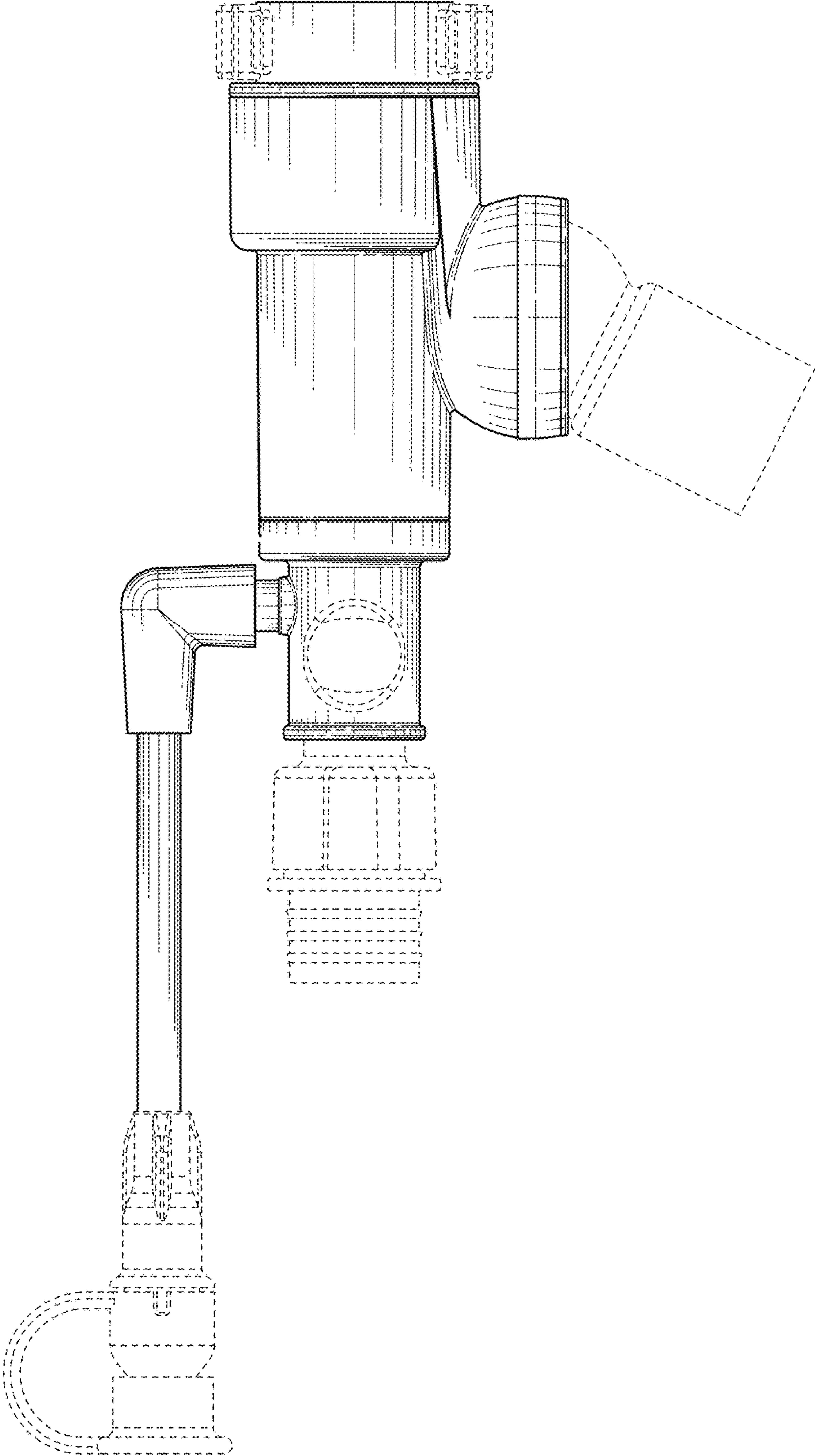


FIG. 3

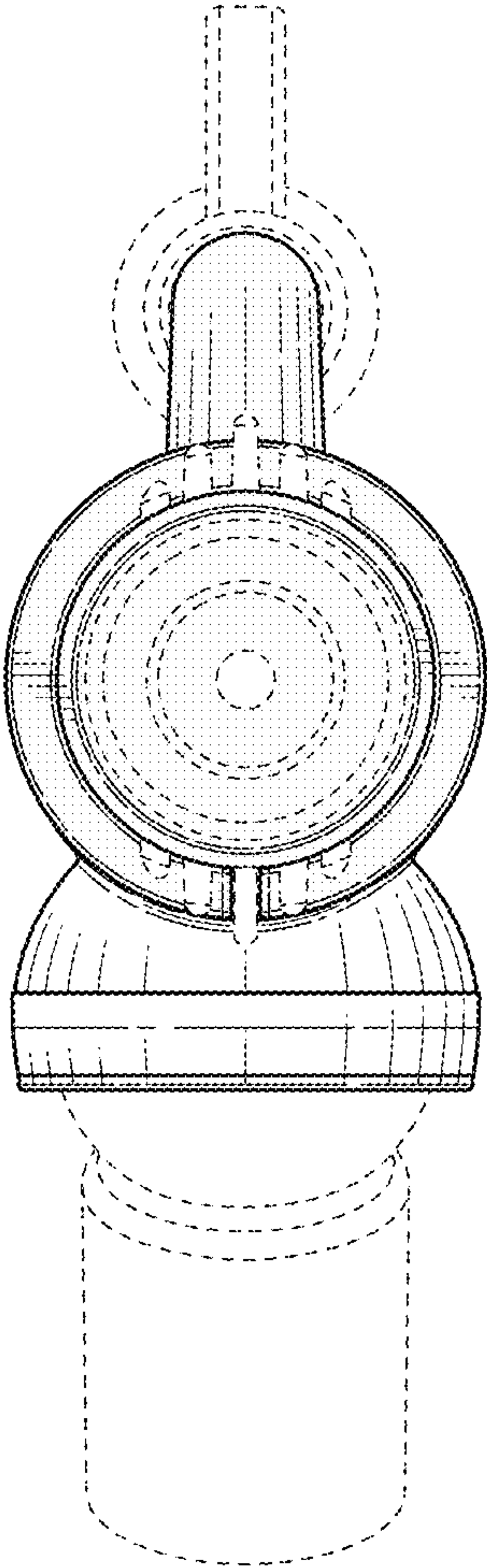


FIG. 4

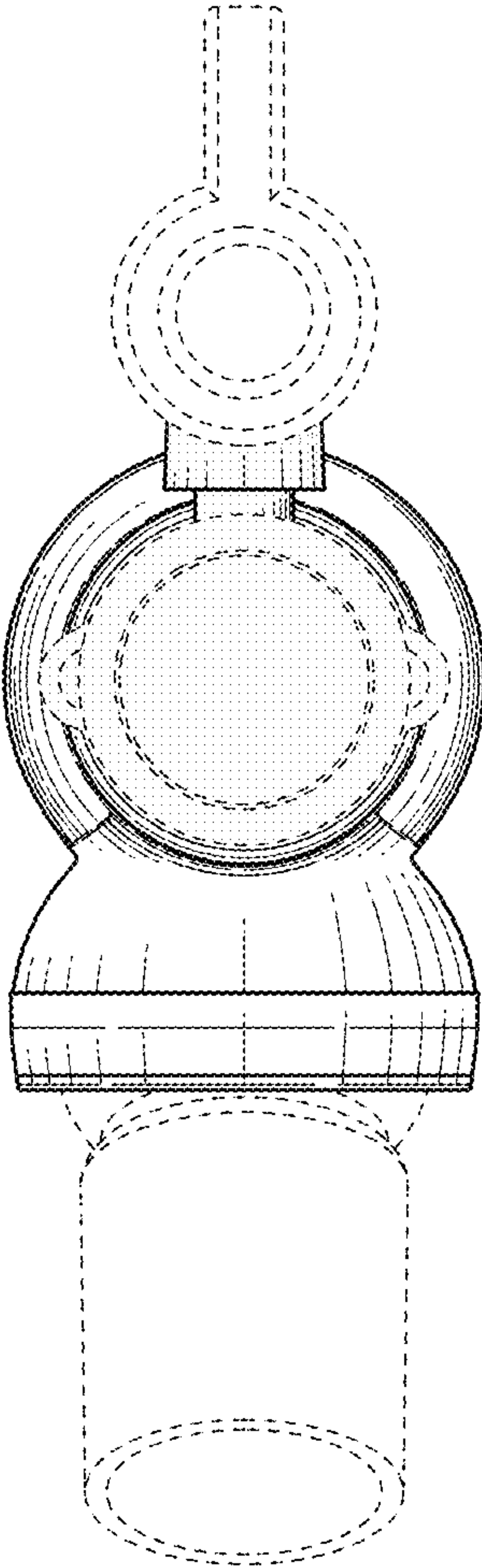


FIG. 5

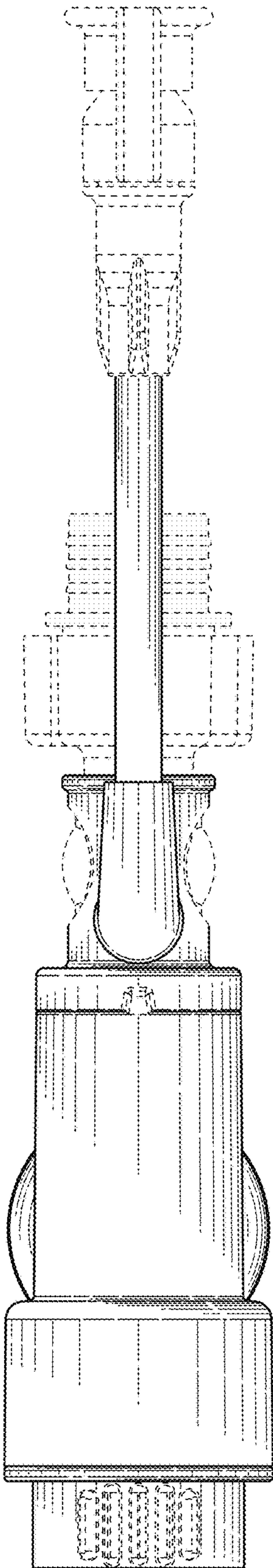


FIG. 6

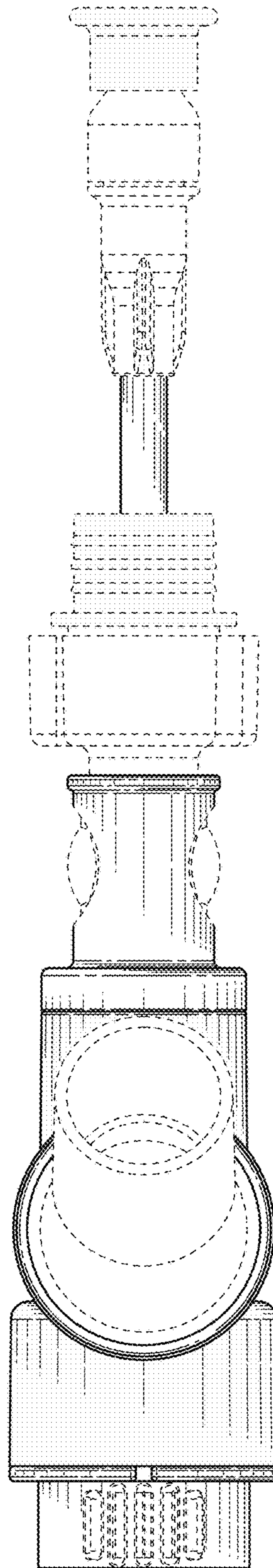


FIG. 7

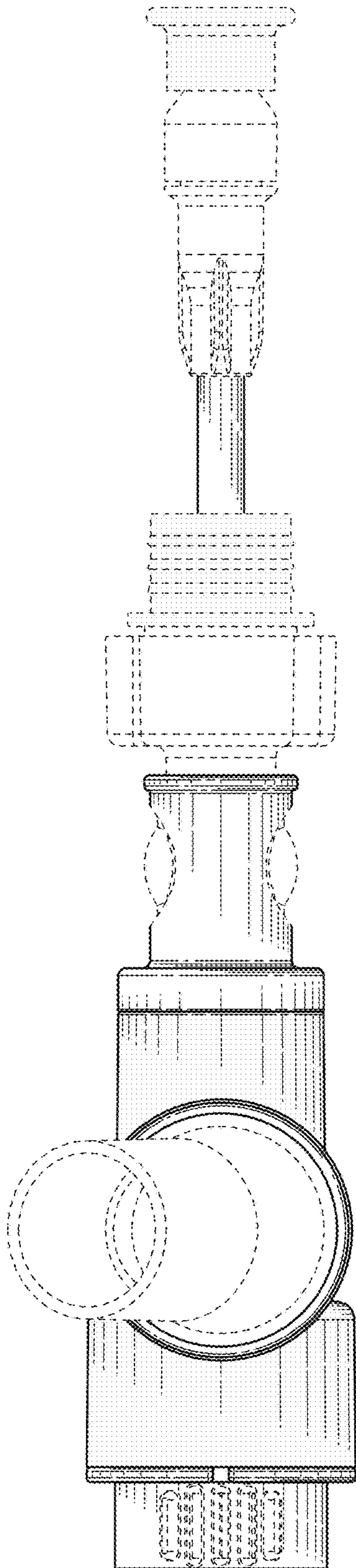


FIG. 8

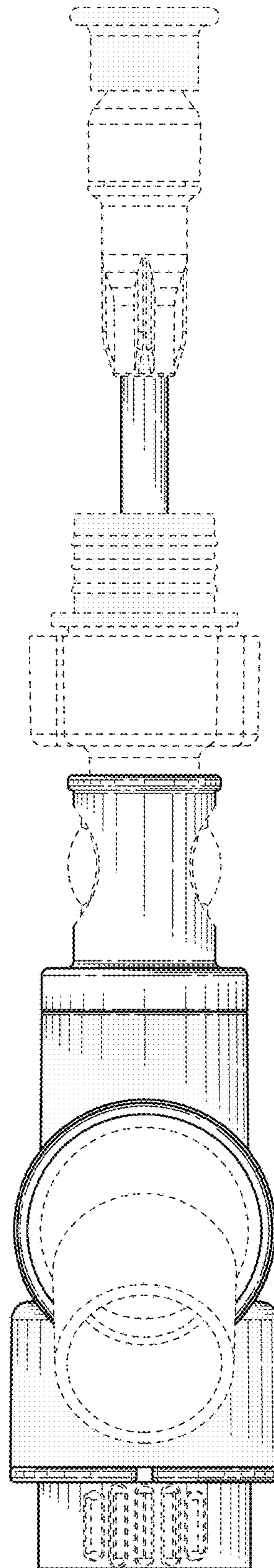


FIG. 9

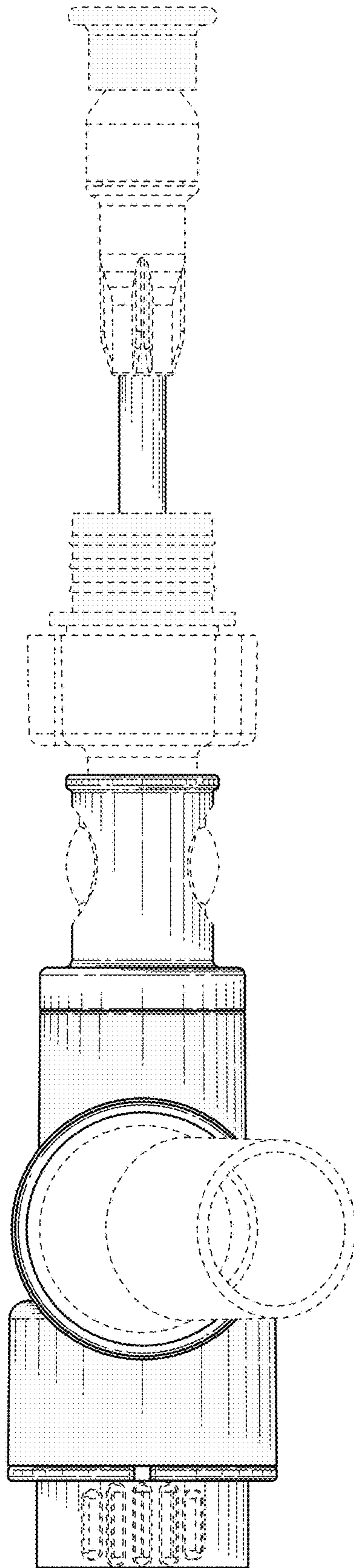


FIG. 10