

US00D830533S

(12) **United States Design Patent** (10) **Patent No.:** **US D830,533 S**  
**Won et al.** (45) **Date of Patent:** **\*\* Oct. 9, 2018**

(54) **BLOCKING PIN FOR PREVENTING GAS LEAK**

(56) **References Cited**

U.S. PATENT DOCUMENTS

(71) Applicant: **OJC CO., LTD.**, Seoul (KR)  
(72) Inventors: **Se Kyung Won**, Incheon (KR); **Min Cheol Kim**, Bucheon-si (KR); **Min Gyu Kang**, Ansan-si (KR); **Tack Jin Oh**, Incheon (KR)

D218,240 S \* 8/1970 Tupker et al. .... D23/421  
4,171,070 A \* 10/1979 Colgate ..... B05B 7/12  
137/564.5  
D259,949 S \* 7/1981 Bane, III ..... D23/421  
4,304,216 A \* 12/1981 Ratelband ..... F24B 1/192  
126/524  
4,787,416 A \* 11/1988 Chuang ..... F16K 17/28  
137/460  
D355,954 S \* 2/1995 Powell ..... D23/235  
D804,888 S \* 12/2017 Won ..... D7/332

(73) Assignee: **OJC CO., LTD.**, Seoul (KR)

(\*\*) Term: **15 Years**

\* cited by examiner

(21) Appl. No.: **35/502,254**

*Primary Examiner* — Richard E Chilcot

(22) Filed: **Jul. 5, 2016**

(74) *Attorney, Agent, or Firm* — Schmeise, Olsen & Watts, LLP

(80) **Hague Agreement Data**

Int. Filing Date: **Jul. 5, 2016**  
Int. Reg. No.: **DM/093491**  
Int. Reg. Date: **Jul. 5, 2016**  
Int. Reg. Pub. Date: **Jan. 6, 2017**

(57) **CLAIM**

The ornamental design for a blocking pin for preventing gas leak, as shown and described.

(30) **Foreign Application Priority Data**

Apr. 6, 2016 (KR) ..... 30-2016-0016213

(51) **LOC (11) Cl.** ..... **29-02**

(52) **U.S. Cl.**  
USPC ..... **D23/421**

(58) **Field of Classification Search**  
USPC ..... D23/200, 233, 249, 314, 386, 415–421;  
D7/402–409, 332–337, 362–367  
CPC ..... A47J 37/041; A47J 37/042; A47J 37/043;  
F23D 14/10; F23D 14/045; F23D  
2203/1012; F23D 2900/00017; F24C  
3/14; F24C 1/16; F24C 5/20

See application file for complete search history.

**DESCRIPTION**

1. Blocking pin for preventing gas leak

1.1: Perspective

1.2: Front

1.3: Back

1.4: Left

1.5: Right

1.6: Top

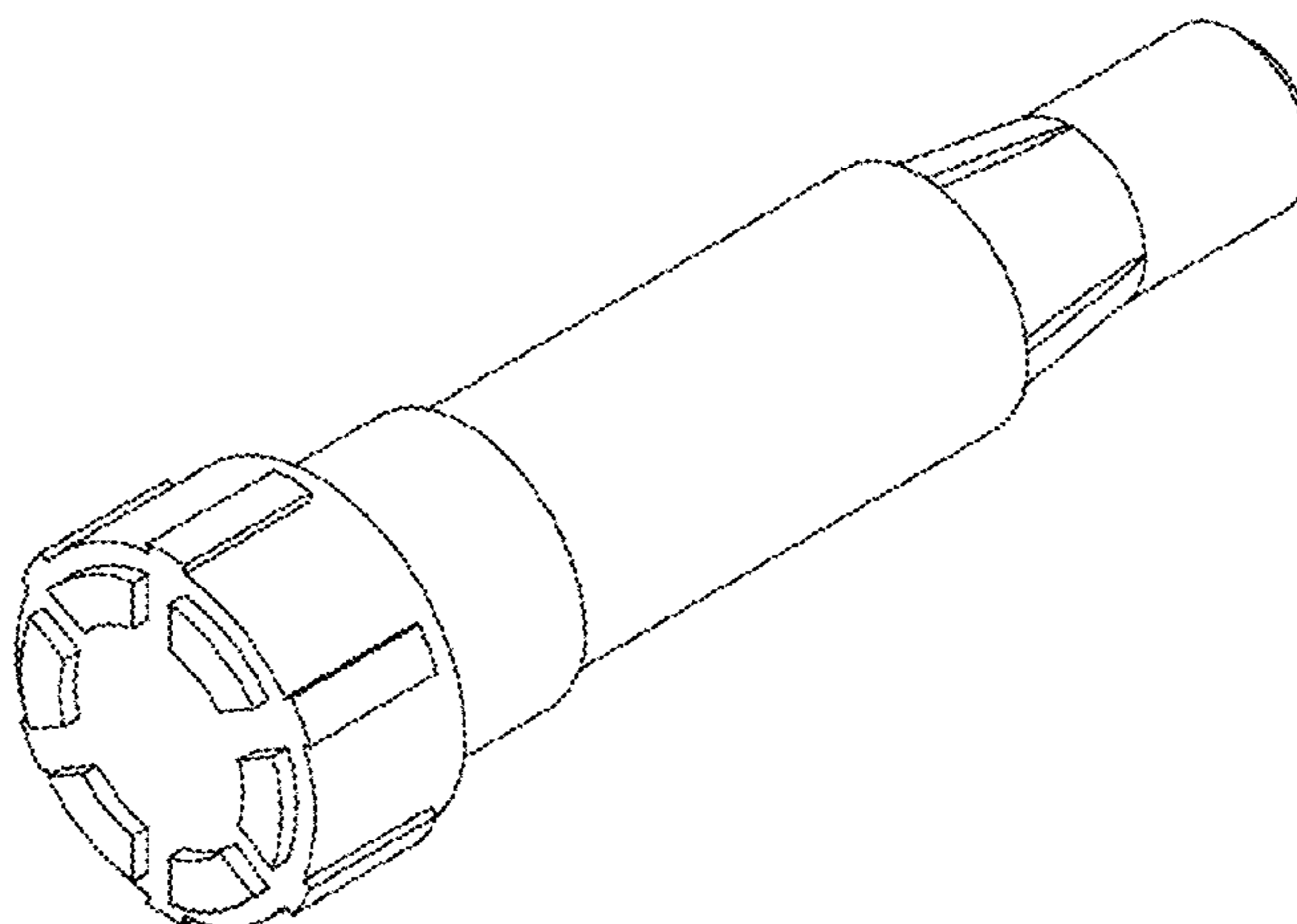
1.7: Bottom

1.8: Reference

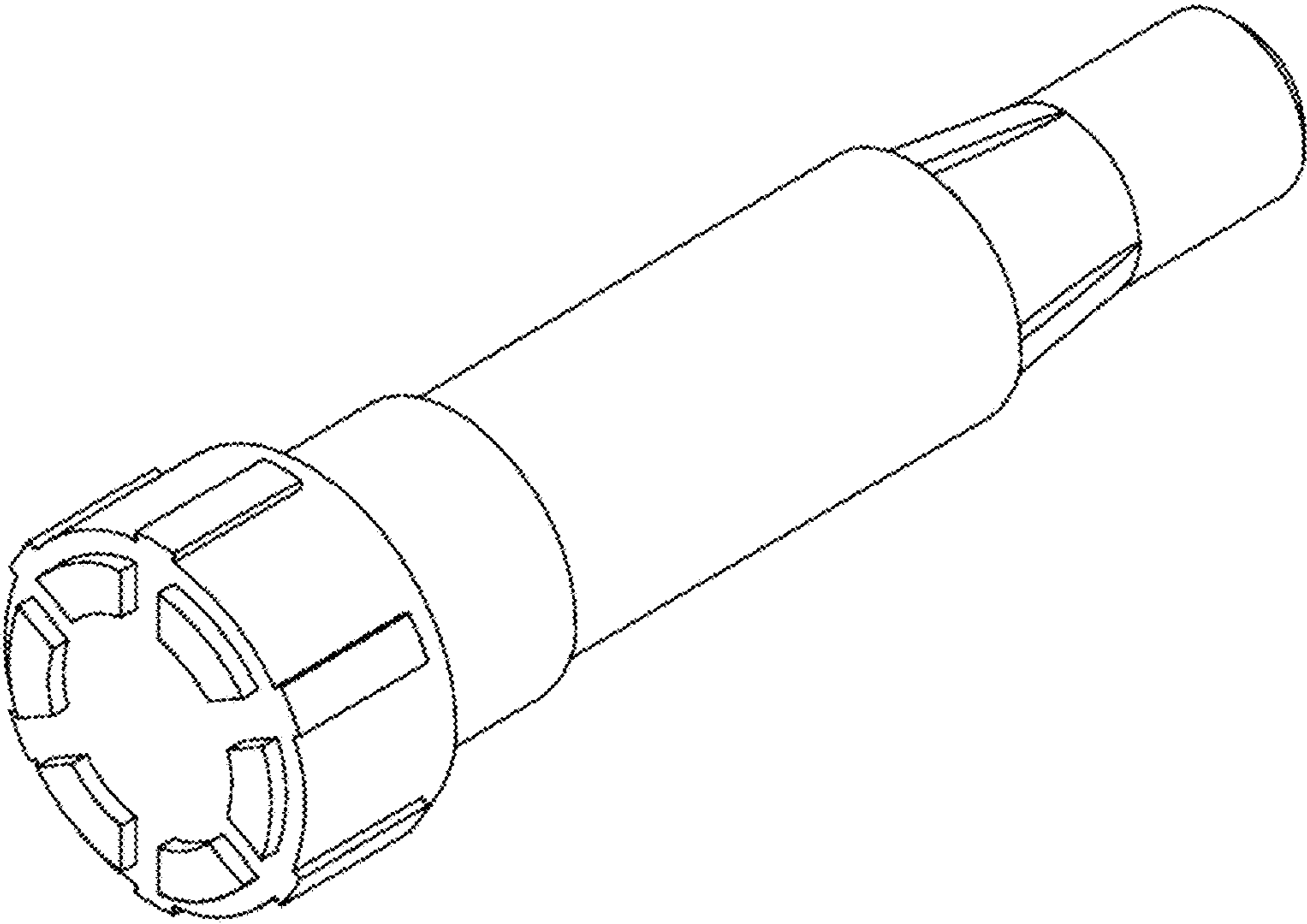
1.9: Reference

The broken lines shown in Figures 1.8 and 1.9 depict environmental structure and form no part of the claimed design.

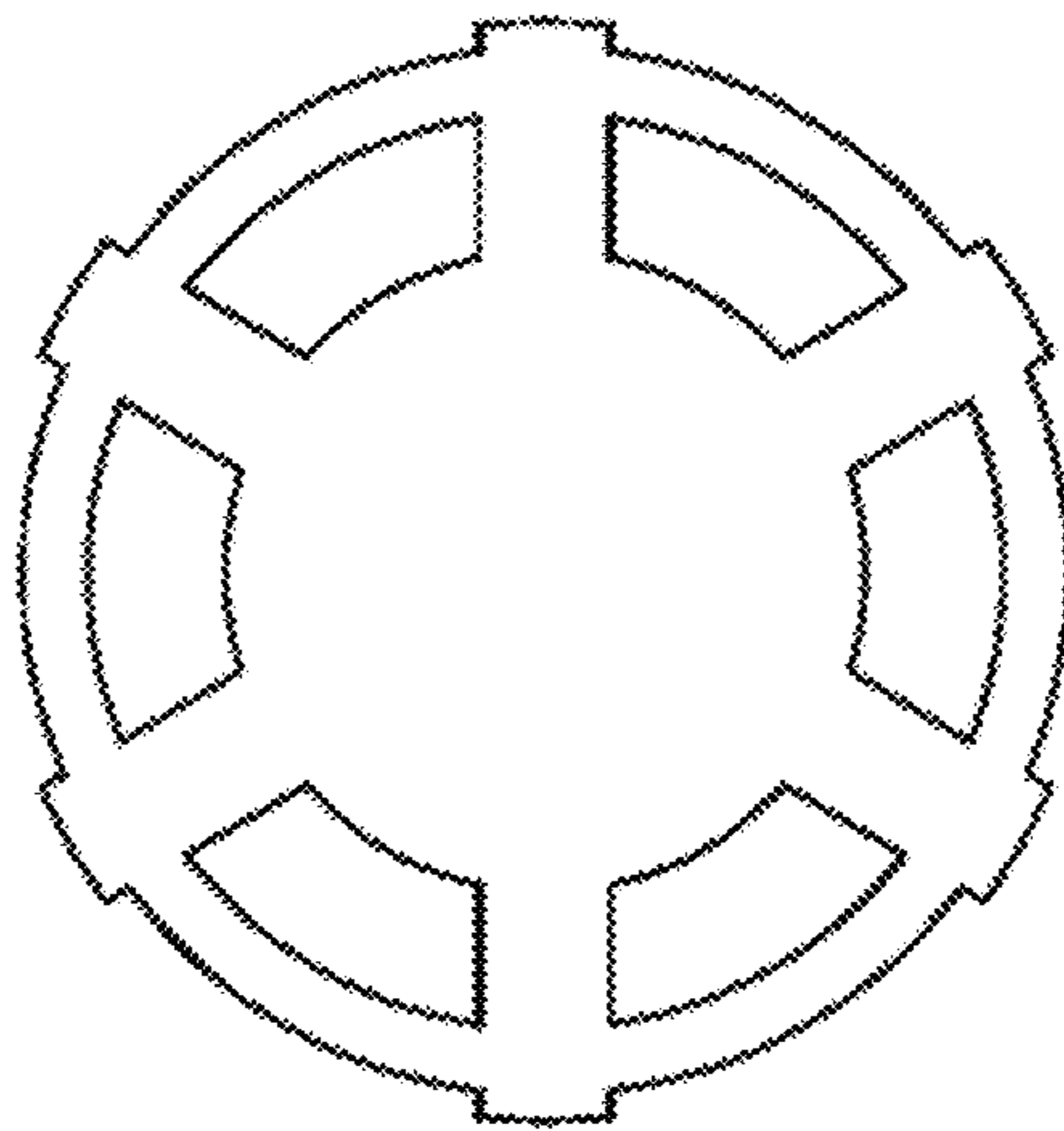
**1 Claim, 9 Drawing Sheets**



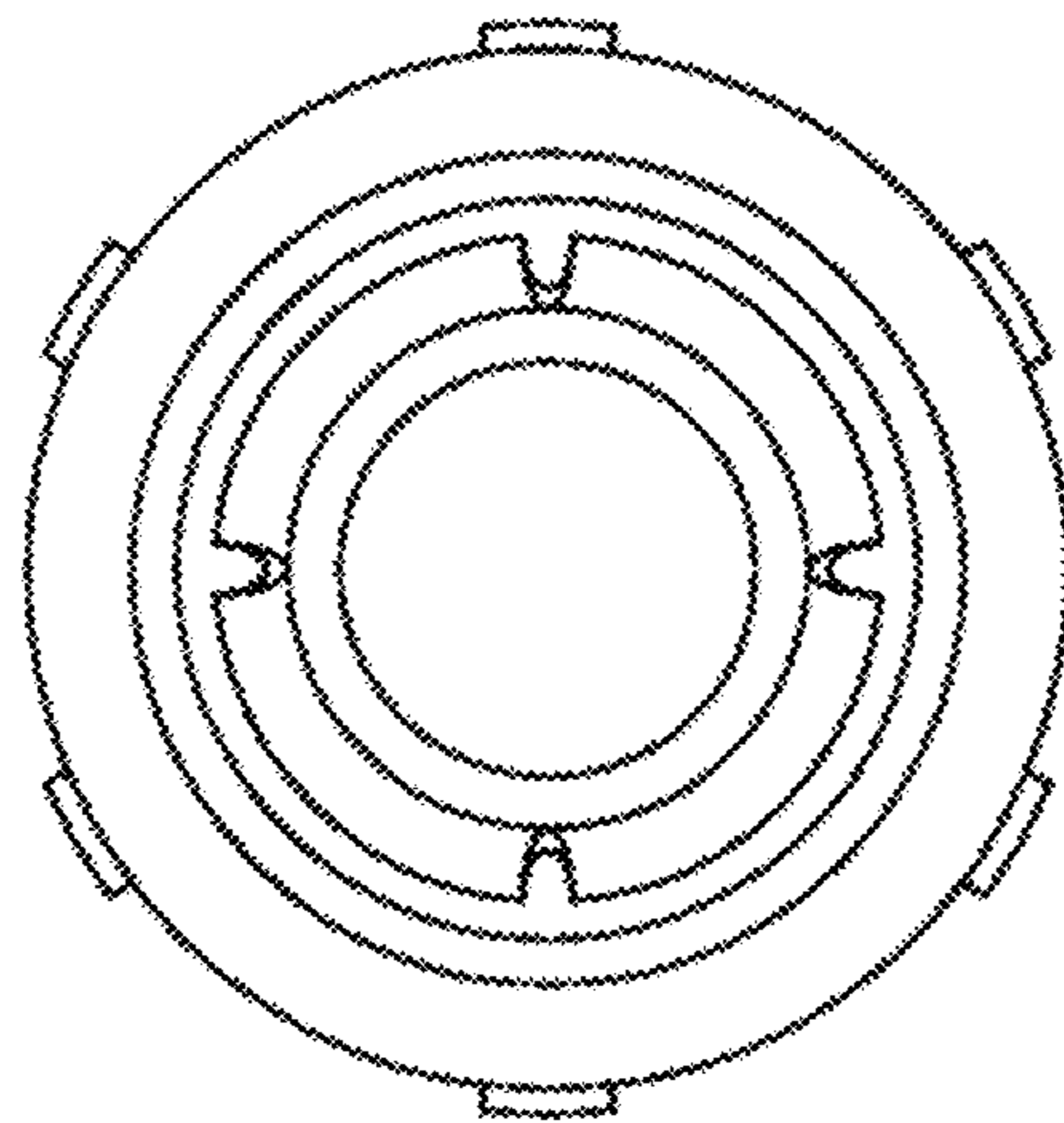
1.1



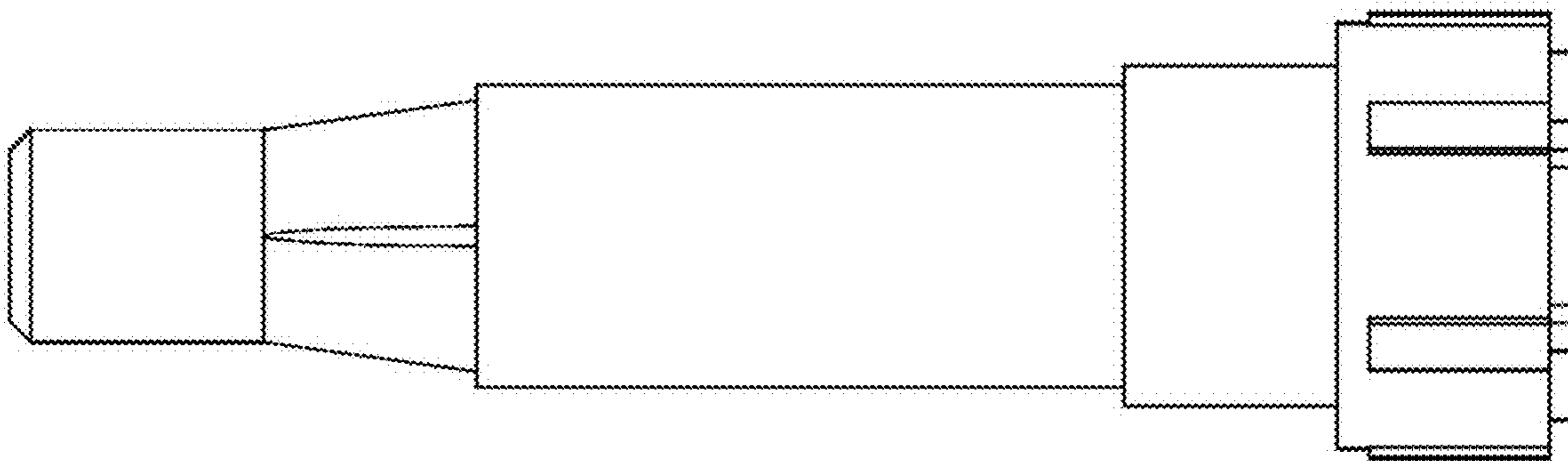
1.2



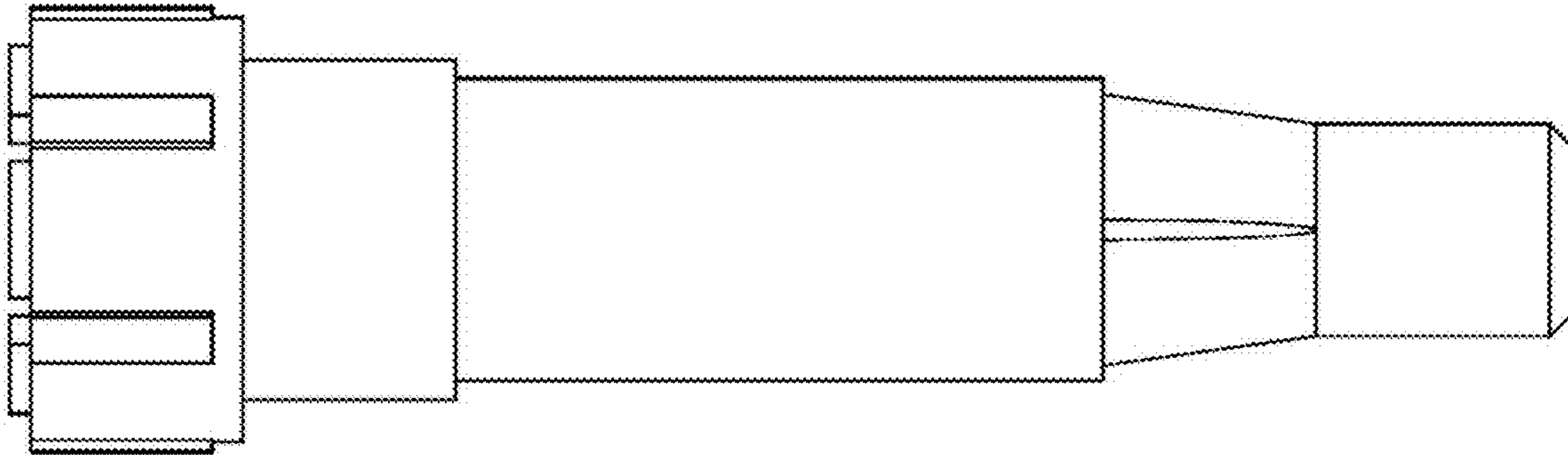
1.3



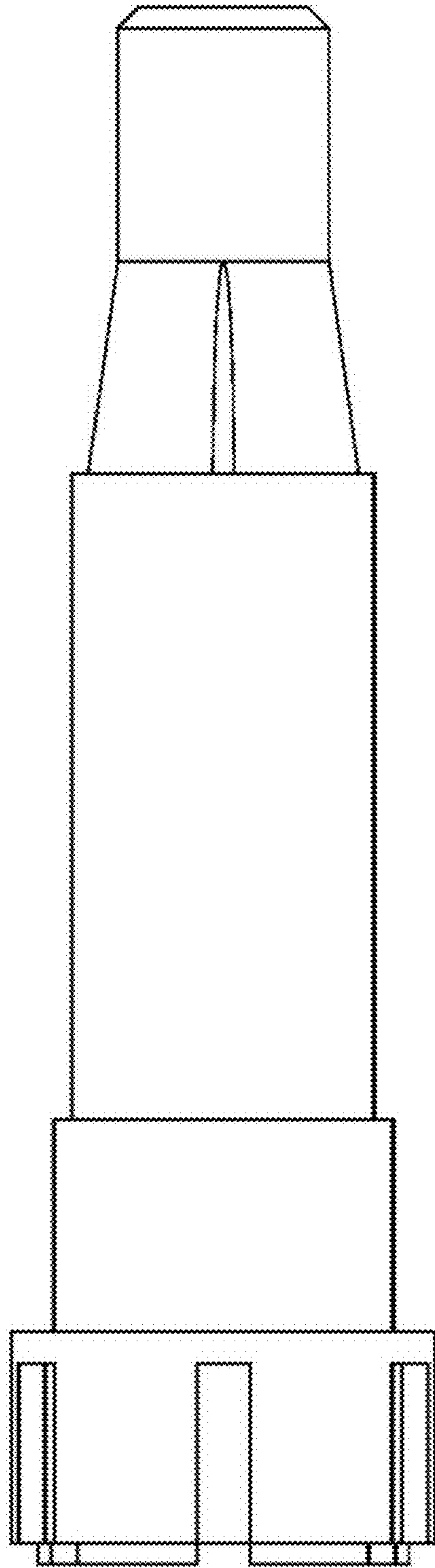
1.4



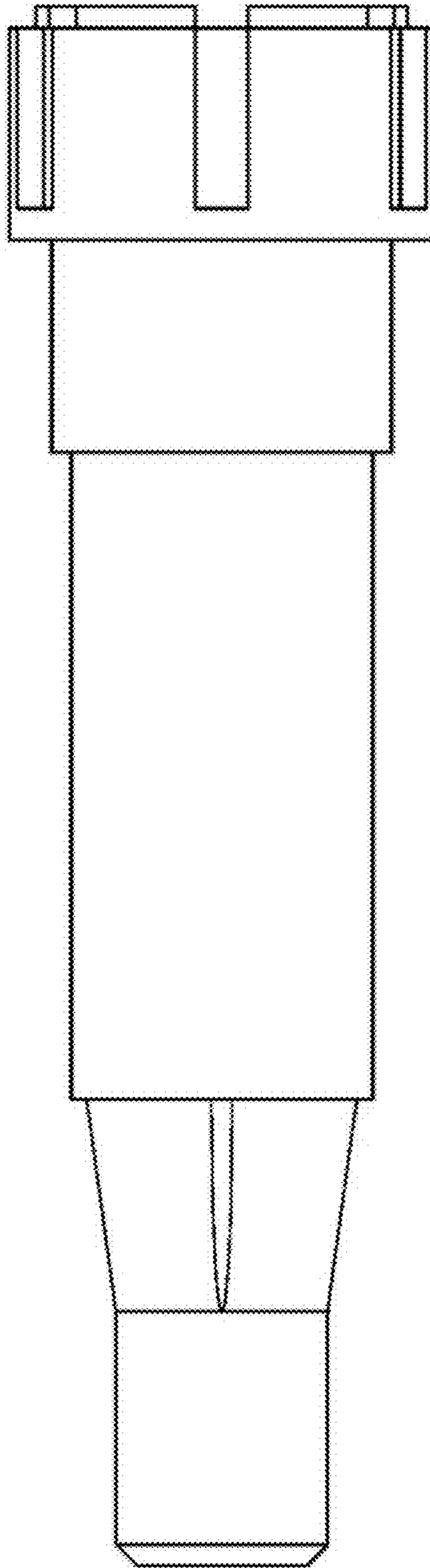
1.5



1.6

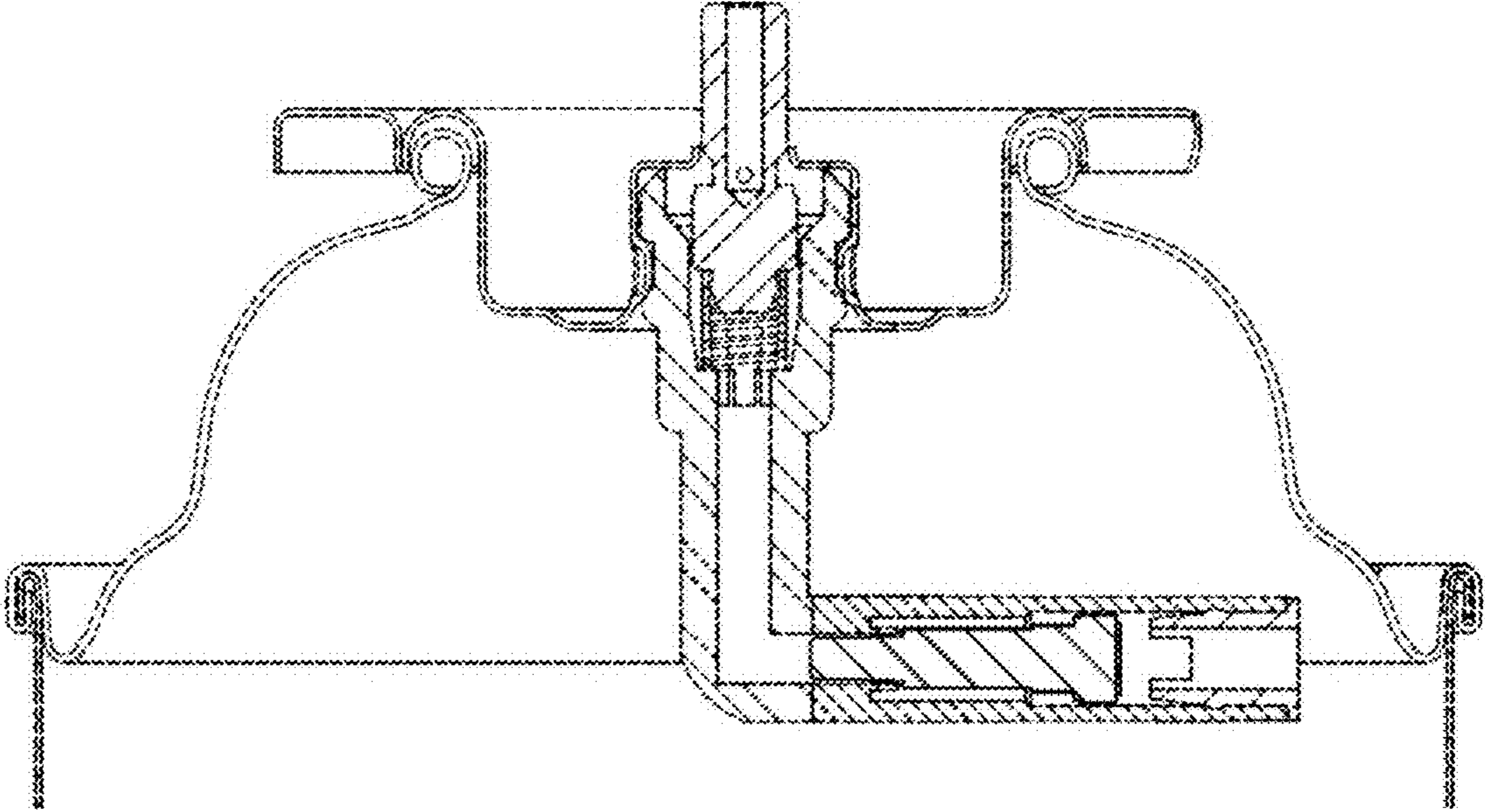


1.7





1.8



1.9

